

Table :01 - Door

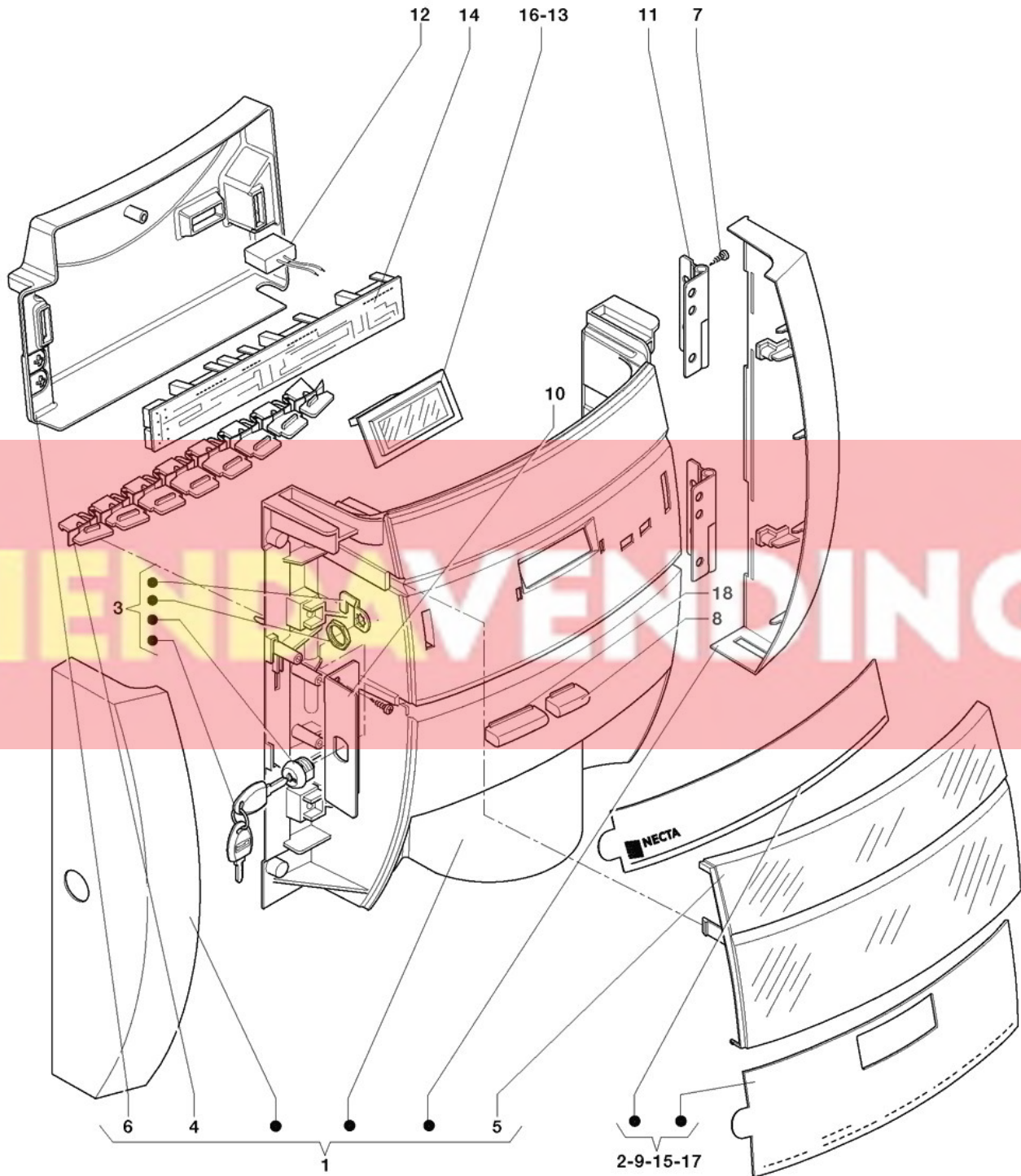


Table :01 - Door

	Code	Description	Notes
1	251877	DOOR	
2	252089	ES LOGOTYPE-PRODUCT LABEL	
3	252137	DOOR LOCK	
4	251785	KEYBOARD REFERENCE	
5	251783	DOOR GLASS	
6	251784	DOOR COVERING	
7	987612	EJOT-PT-SCREW 4X12	
8	251787	SINGLE KEY	
9	252094	IN LOGOTYPE-PRODUCT LABEL(DK-UK-S-N-D)	
10	251834	LOCKSET PLATE	
11	251793	HINGE	
12	251862	IMPULSE COUNTER	
13	251653	DISPLAY 2X16 BLUE	
14	251865	OPERATOR INTERFACE BOARD	
15	252090	ES LOGOTYPE-PRODUCT LABEL(S-N-D-DK-UK)	
16	251654	DISPLAY 2X16 BLUE-CIRILLICO-	
17	252091	IN LOGOTYPE-PRODUCT LABEL	
18	251786	DOUBLE KEY	

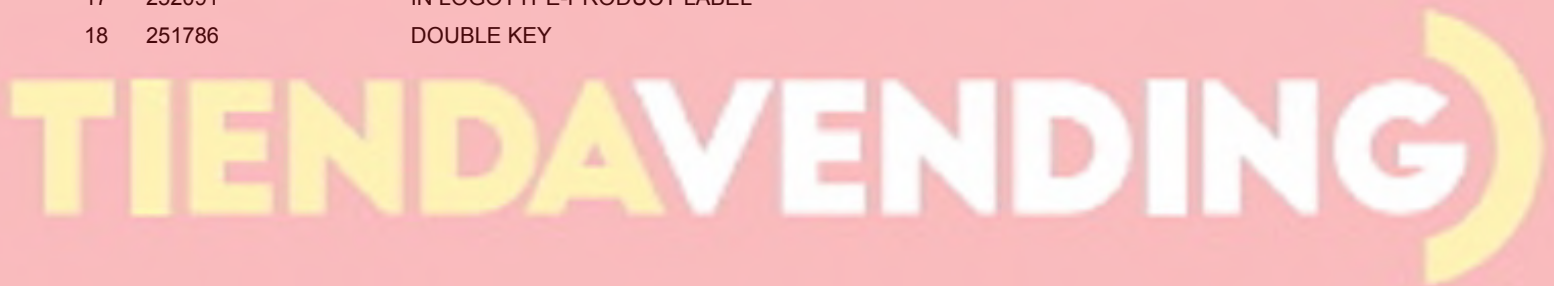
The logo for TIENDA VENDING is displayed in a large, bold, sans-serif font. The word 'TIENDA' is in yellow, and 'VENDING' is in white. A yellow curved shape, resembling a stylized 'D' or a partial circle, is positioned to the right of the word 'VENDING'. The entire logo is set against a light pink background.

Table :02 - Cabinet assv

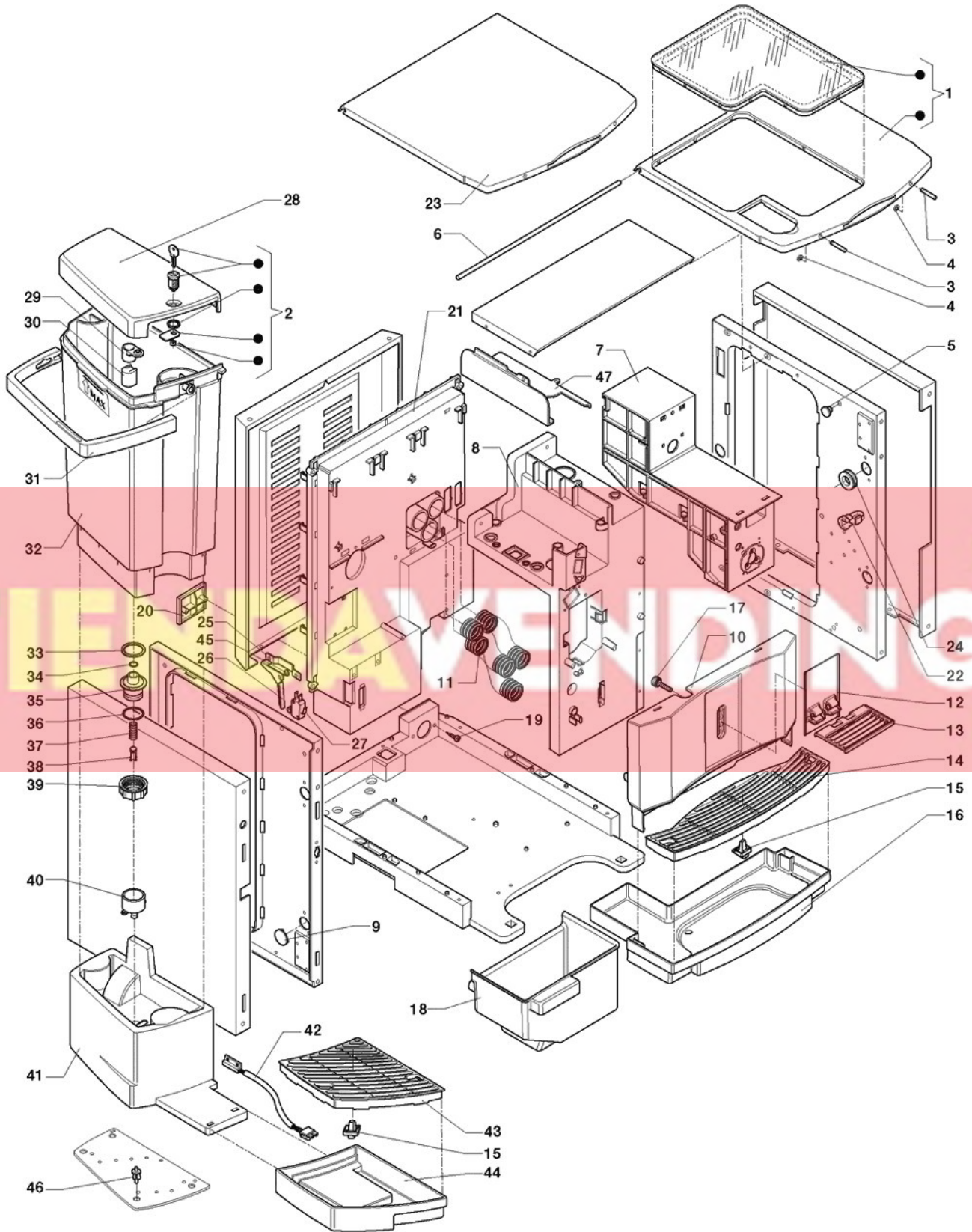


Table :02 - Cabinet assy

Code	Description	Notes
1	251915	UPPER PART FOR PIECE OF FURNITURE-ESPRESSO
2	251916	LOCK 'MERONI'
3	251845	PIN
4	091737	CIRCLIP DIN 6799
5	251850	BASE FOOT
6	251835	PIN
7	251800	MIXER SUPPORT BRACKET
8	251821	GRINDER SUPPORT
9	0V4199	PLUG
10	251792	DISPENSER NOOK BACK PANEL
11	252097	BLACK PVC PIPE D.25(A METER)
12	251790	CUP TIPPER SUPPORT
13	251791	CUP TIPPER
14	251789	LIQUID DISCHARGE TRAY COVER GRID
15	251851	FLOAT
16	251788	LIQUID DISCHARGE TRAY
17	096977	KNURL
18	251818	EXPRESS COFFEE GROUNDS TRAY
19	987612	EJOT-PT-SCREW 4X12
20	251813	WATER SUPPLY CIRCUIT STOPPER
21	251820	ELECTRIC COMPONENT PANEL
22	251857	CABLE FASTENERS
23	251966	F.B.- IN MACHINE TOP
24	090020	WHIPPING MM 16
25	251965	SWITCH REFERENCE PROTECTION
26	251964	SWITCH REFERENCE
27	251861	MICRO-SWITCH
28	251839	TANK COVER
29	251827	FLOAT CAP
30	251876	MAGNET FLOAT
31	251842	TANK HANDLE
32	251838	TANK
33	099480	WASHER
34	090421	GASKET OR 2025
35	099479	FLANGE
36	095624	GASKET O-RING 116 EP851
37	099478	SPRING
38	099477	LITTLE PLUNGER
39	095849	CONTAINER RING NUT
40	099481	FASTENING
41	251841	(MOUNTING) BASE
42	251860	FEELER

Table :02 - Cabinet assy

Code	Description	Notes
43 251840	SELF-FEEDING GRID	
44 251837	TRAY	
45 252145	SPACER	
46 093823	NOZZLE FASTENER DOLLY BLOCK	
47 251795	GRINDER COVERING	



Table :03 - Electric system

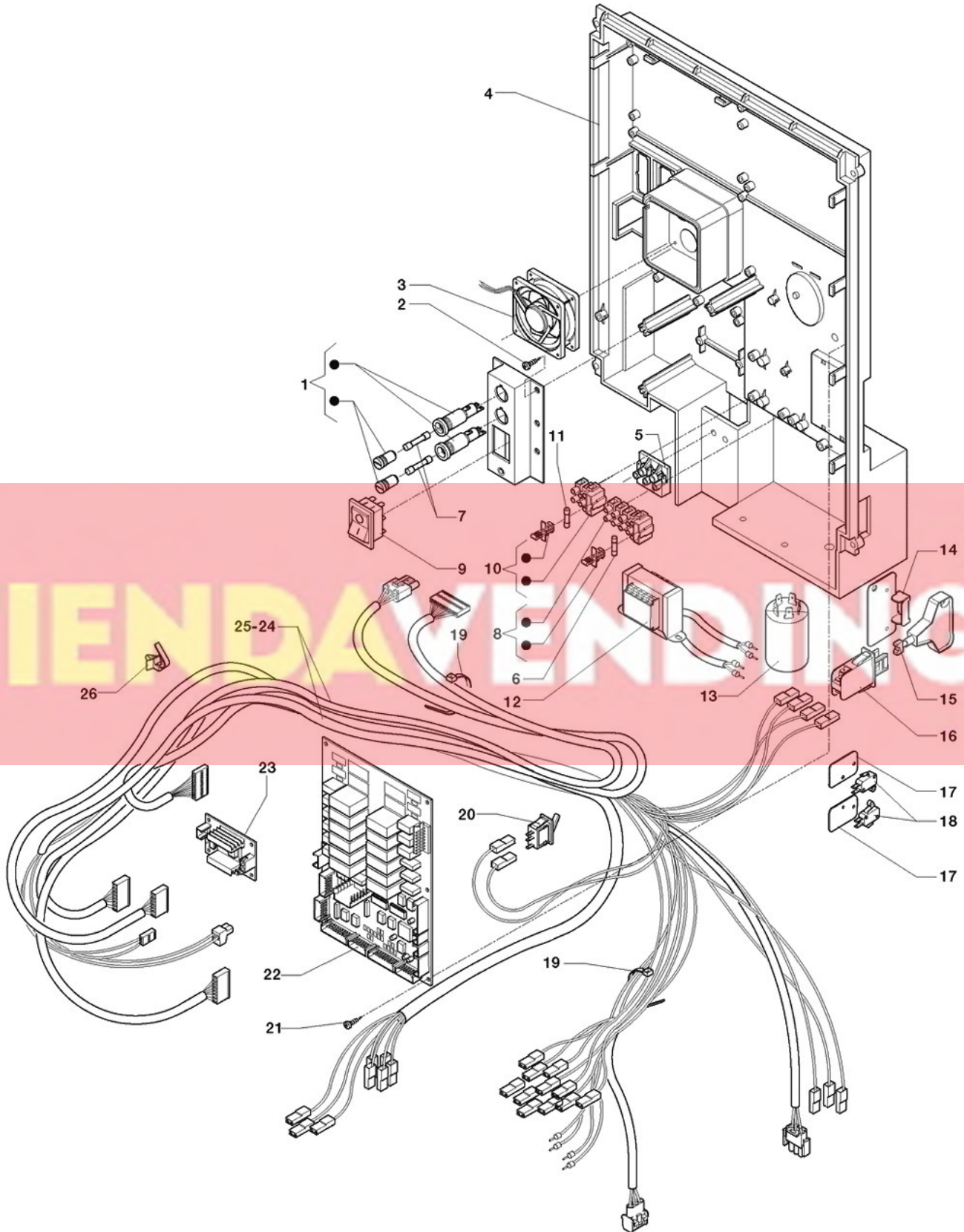


Table :03 - Electric system

Code	Description	Notes
1 251863	FUSE HOLDER	
2 987612	EJOT-PT-SCREW 4X12	
3 251867	12 V DC FAN	
4 251820	ELECTRIC COMPONENT PANEL	
5 251856	TERMINAL STRIP	
6 097544	FUSE 125 MA DELAYED ACTION	
7 095636	FUSE 15 A	
8 098793	5P TERMINAL BOARD WITH FUSE-HOLDER	
9 251858	TWO-POLE SWITCH	
10 097241	3-POLE TERMINAL BOARD W/CARRIER	
11 097103	FUSE 1.25A 5X20 DELAYED ACTION	
12 098792	TRANSFORMER	
13 0V3512	ELECTRICAL NET FILTER	
14 251796	DOOR SWITCH CARRIER PLATE	
15 0V1654	SWITCH KEY	
16 097796	SWITCH	
17 090681	INSULATING DISK	
18 251861	MICRO-SWITCH	
19 090148	CLIP	
20 0V2378	SWITCH	
21 097879	NICKELPLATED SCREW	
22 251864	CPU/ACTUATOR BOARD 16BIT 2MB	until serial number 61602518
22 252604	CPU/ACTUATOR BOARD 16BIT 4M	from serial number 61602519
23 0V2143	BOILER CONTROL BOARD	
24 251854	GENERAL WIRING	
25 252092	INSTANT MAIN WIRING	
26 097851	CABLE FASTENING	

Table :04 - Hydraulic system

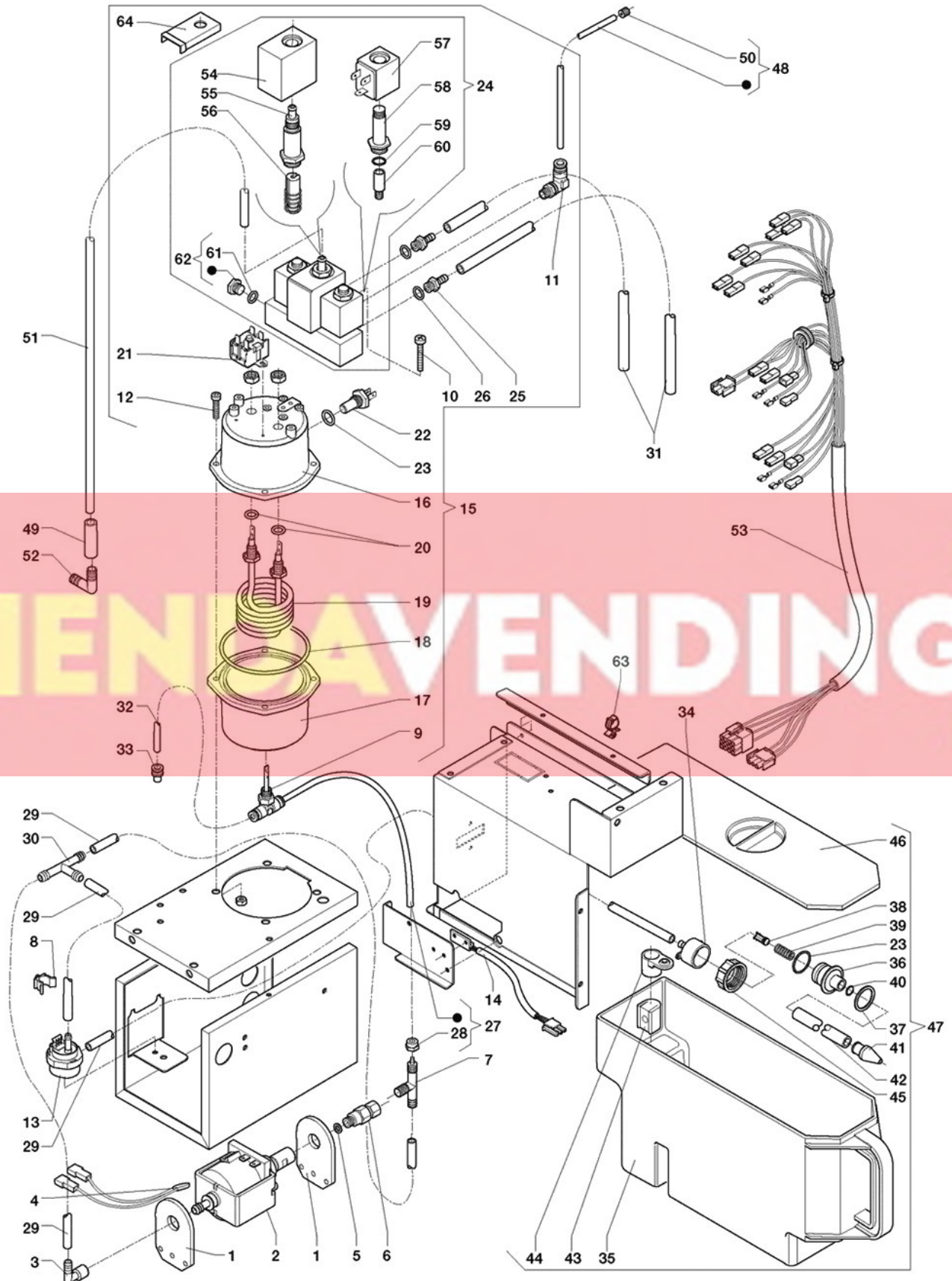


Table :04 - Hydraulic system

	Code	Description	Notes
1	0V4275	POMPE SUPPORT	
2	098760	PUMP (VIBRATION)	
3	252021	PIPETTE	
4	0V1301	110 DEGREES THERMAL OVERLOAD	
5	251143	ALUMINIUM WASHER	
6	099101	NO-RETURN VALVE	
7	098764	BY-PASS PUMP (12 BAR)	
8	098484	HOSE FIXING	
9	0V2507	UNION T-SHAPE 6X1/8 W/PLUG	
10	250993	SCREW M4X25	
11	0V2509	UNION L-SHAPE 5X1/8	
12	0V2457	SCREW M5X20 TCEI	
13	098707	VOLUMETRIC COUNTER	
14	251860	FEELER	
15	0V2506	COFFEE BOILER ASSEMBLY 300 CC.	
16	098640	UPPER BOILER-COVER	
17	098641	LOWER BOILER-COVER	
18	098701	GASKET	
19	098645	HEATING-ELEMENT	
20	254711	GASKET O-RING112 2.62X9.92	
21	0V1318	125 DEGR. THERMOSTAT	
22	094872	BOILER TEMPERATURE PROBE	
23	095624	GASKET O-RING 116 EP851	
24	098761	2+3+2 WAYS ELECTROVALVES GROUP	
25	095529	RUBBER HOLDER UNION 1/8" (BRASS)	
26	094594	GASKET O-RING 2031	
27	251872	BOILER TUBE - BY PASS	
28	099107	NUT	
29	097512	SILICONE HOSE 6X12 BROWN	
30	094231	UNION T-SHAPE	
31	097511	SILICONE HOSE 6X9 BROWN	
32	252658	TEFLON PIPE 3X6 (A METER)	
33	251847	DIAM. 6 QUICK-COUPLING	
34	099481	FASTENING	
35	251826	INSIDE TANK	
36	099479	FLANGE	
37	099480	WASHER	
38	099477	LITTLE PLUNGER	
39	099478	SPRING	
40	090421	GASKET OR 2025	
41	250919	WEIGHT	
42	097513	SILICONE HOSE 9X13 BROWN	

Table :04 - Hydraulic system

Code	Description	Notes
43 251876	MAGNET FLOAT	
44 251827	FLOAT CAP	
45 095849	CONTAINER RING NUT	
46 251825	INSIDE TANK COVER	
47 251873	COMPL. INTERNAL TANK	
48 251871	PISTON TUBE	
49 097510	SILICONE HOSE 5X9 BROWN	
50 098699	UNION FOR PISTON PIPE	
51 097529	SILICONE HOSE 3X6 BROWN	
52 095576	UNION L-SHAPE	
53 251855	BOILER BRACKET WIRING	
54 099057	ELECTROV.-COIL 220/230 VOLT	
55 099105	COFFEE-ELECTROV. CONNECTION PIPE	
56 097472	3-WAY ELECTROVALVE NUCLEUS -VITON-	
57 099056	INSTANTS COIL	
58 0V1953	INSTANT-ELECTROV. CONNECTION PIPE	
59 099059	VALVE-BUSH-GASKET	
60 099058	NUCLEUS INSTANT-E.V.	
61 096553	GASKET O-RING 2037	
62 0V1600	CAP WITH O-RING	
63 098459	WIRE-CLIP	
64 251248	ELECTRIC VALVE COVERING	

Table :05 - Mixer and canister

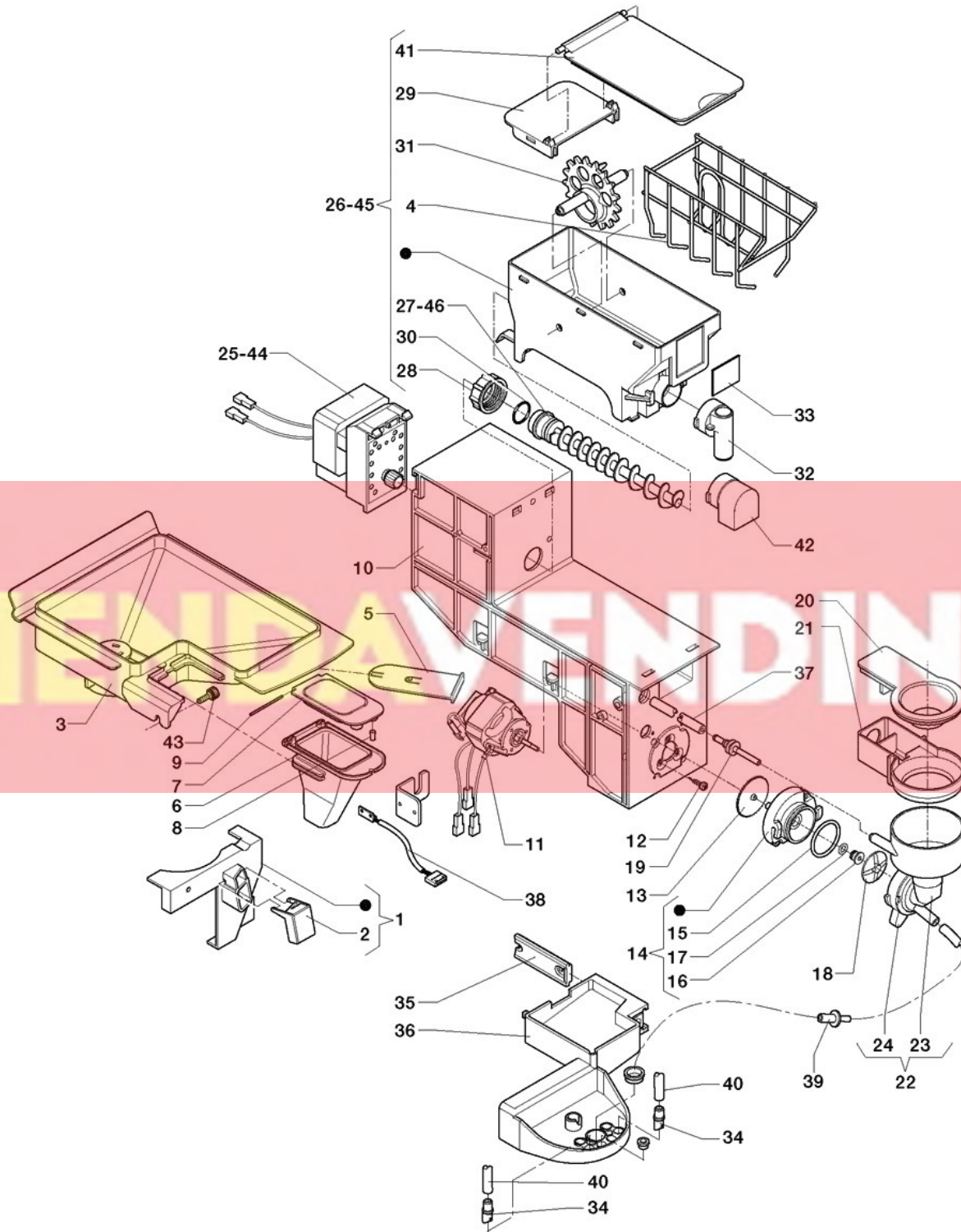


Table :05 - Mixer and canister

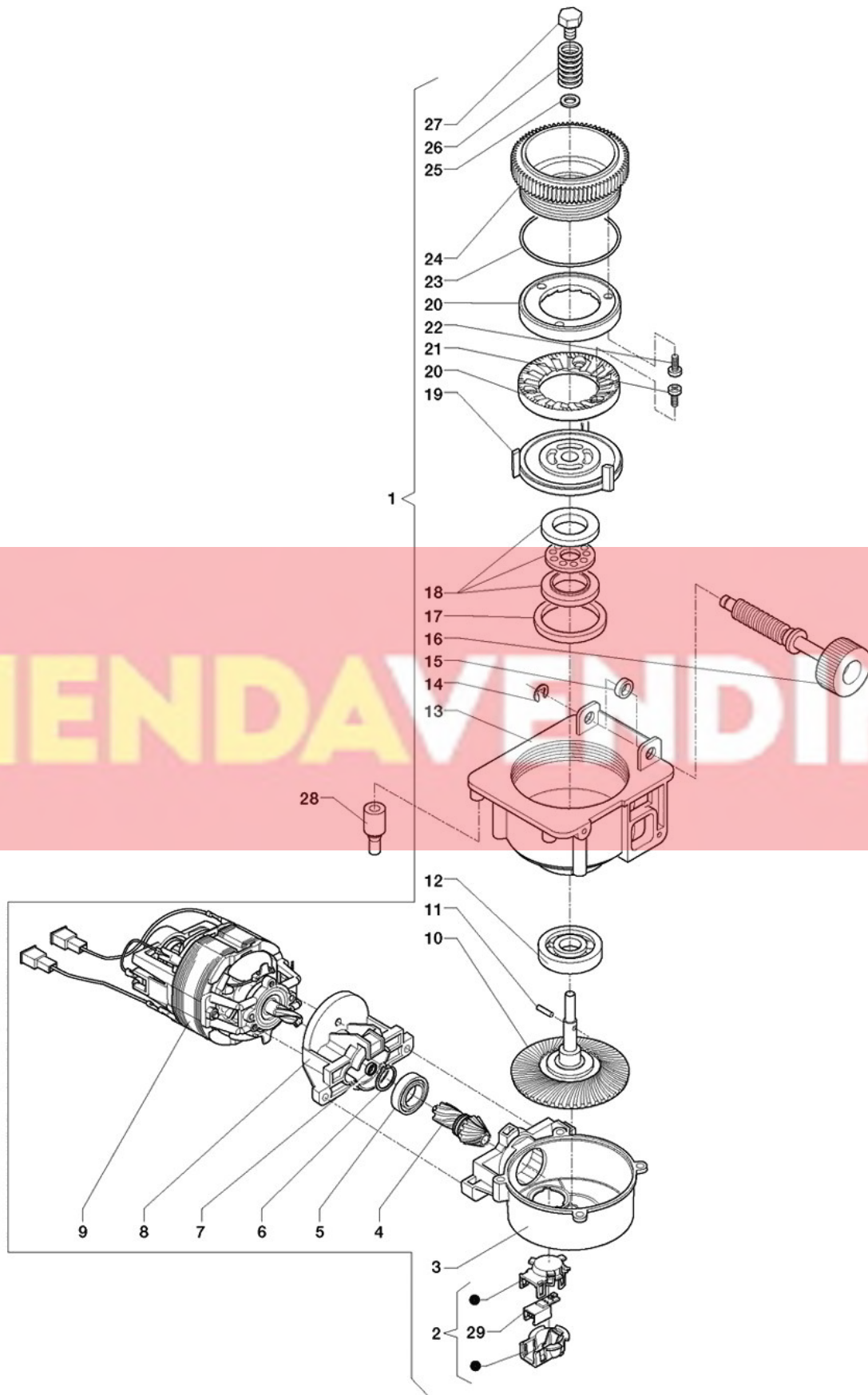
Code	Description	Notes
1 251870	GROUND COFFEE CONVEYOR	
2 251961	COFFEE EXIT SHUTTER	
3 251817	COFFEE CONTAINER	
4 252117	CANISTER SCRAPER	
5 098630	ROLL-UP FOR CONTAINER	
6 251927	DECAF. SLIDE	
7 251848	DECAF. SLIDE COVER	
8 0V3126	MAGNET	
9 251844	SLIDE COVER PIN	
10 251800	MIXER SUPPORT BRACKET	
11 098808	MOTORMIXER	
12 099773	SCREW	
13 099889	DISK	
14 251869	MIXER FLANGE	
15 094540	GASKET O-RING 3125	
16 097917	BUSH SEAL	
17 099880	GASKET	
18 097916	MIXER VENTILATOR	
19 251852	DIAM. 3.4 MIXER NOZZLE	
20 251767	SUCTION TRAY COVER	
21 251768	SUCTION TRAY	
22 251874	MIXER CONVEYOR	
23 251769	MIXER CONVEYOR	
24 298003	MIXER LOCKING RING NUT	
25 251866	MOTOR.DOSE-METER 78 REV/MIN.	
26 251875	COMPL. STD. METER.SCREW CONTAIN.	
27 251811	STANDARD METERING SCREW	
28 095849	CONTAINER RING NUT	
29 251967	FIXED COVERING	
30 251962	O-RING 14	
31 251963	WHEEL FOR CANISTER	
32 098939	ROUND STRAIGHT PIPETTE	
33 097502	NAMEPLATE GROUP CONTAINER INSTANT P	
34 251799	SOLUBLE POWDER NOZZLE	
35 251797	NOZZLE CARRIER PLATE GUIDE	
36 251798	NOZZLE CARRIER PLATE	
37 097511	SILICONE HOSE 6X9 BROWN	
38 251859	DECAF. FEELER	
39 097914	COFFEE CHOKE	
40 097510	SILICONE HOSE 5X9 BROWN	
41 251968	EXTENDABLE COVER	
42 096868	SQUARE STRAIGHT PIPETTE	

Table :05 - Mixer and canister

	Code	Description	Notes
43	250827	KNOB M4X16	
44	252030	MOTORDOSER 52 G/MIN 230V-50HZ	
45	251908	VAR.PITCH CONTAINER+SCRAPER	
46	251816	STD. VAR.-PITCH METERING SCREW	

The logo for TIENDA VENDING is displayed on a red background. The word "TIENDA" is in yellow, and "VENDING" is in white. A yellow curved shape is positioned to the right of the word "VENDING".

Table :06 - Grinder



TIENDA VENDING

Table :06 - Grinder

	Code	Description	Notes
1	251770	GRINDER	
2	251779	SENSOR + COMPLETE CONNECTOR	
3	251772	MOTOR CARRIER PLATE	
4	251774	GEAR SHAFT	
5	251780	17x30x7 RADIAL BEARING	
6	251771	MM 17 ELASTIC RING	
7	251781	4x9x2.5 RADIAL BEARING	
8	251775	MOTOR SUPPORT FLANGE	
9	251777	220/230 VOLT-50/60 HZ MOTOR	
10	251773	GEAR RING + SHAFT AND MAGNET	
11	098293	ELASTIC PLUG	
12	095803	RADIAL BEARING	
13	251776	GRINDER CAP	
14	093171	OUTER FIXING COLLAR DIAM MM6	
15	099457	WASHER	
16	099474	REGULATION SCREW	
17	093271	COFFEE JUNK RING	
18	093187	THRUST BEARING	
19	095802	GRINDER HOLDER IMPELLER	
20	095840	GRINDER	
21	095809	SELF-THREADING SCREW (M4)	
22	097879	NICKELPLATED SCREW	
23	095805	GASKET O-RING	
24	099473	GRINDER HOLDER	
25	096988	WASHER	
26	099471	SPRING	
27	099472	LEFT SCREW	
28	099484	LITTLE RUBBER	
29	251778	FEELER BOARD	

Table :07 - Coffee unit

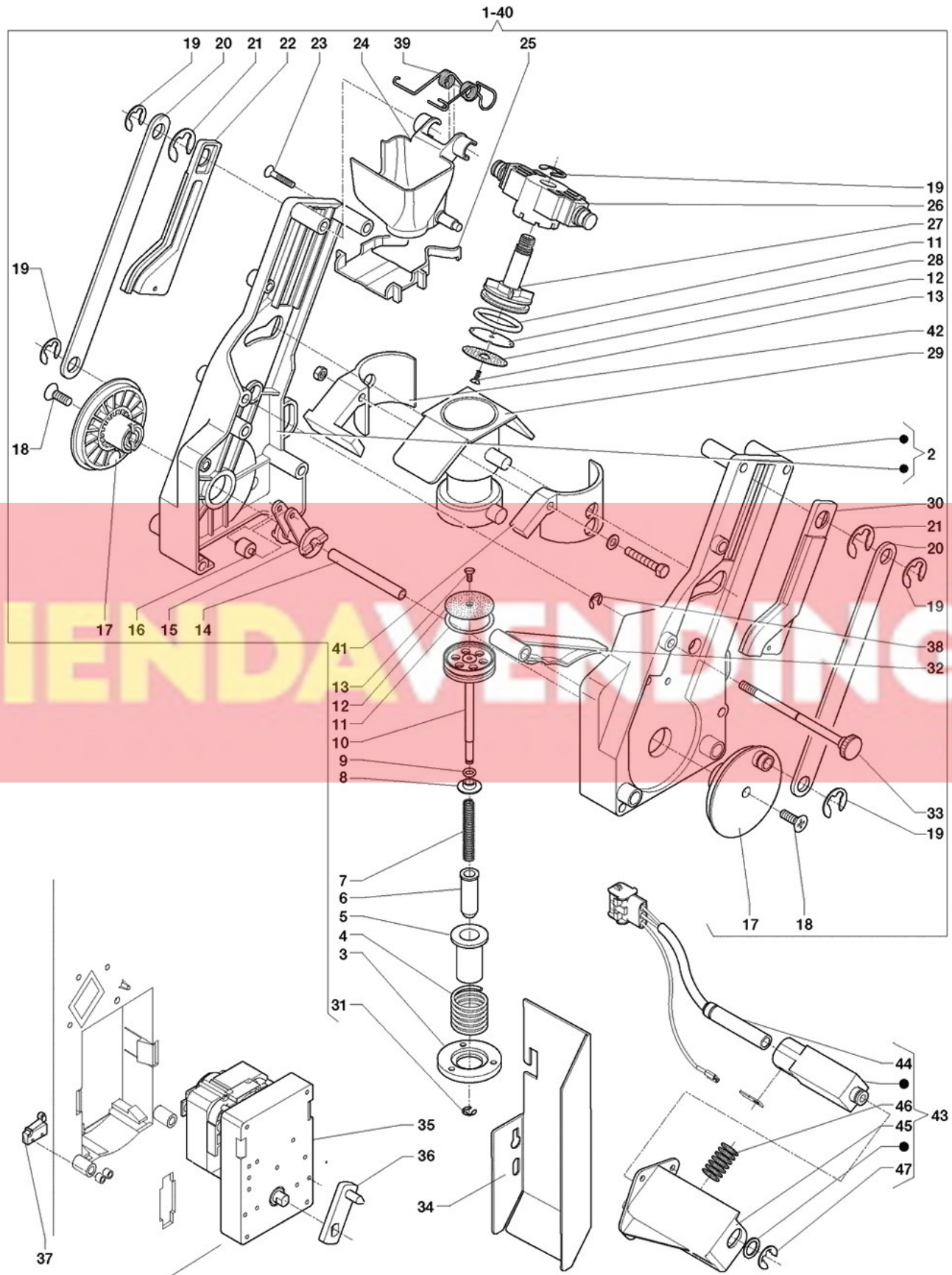


Table :07 - Coffee unit

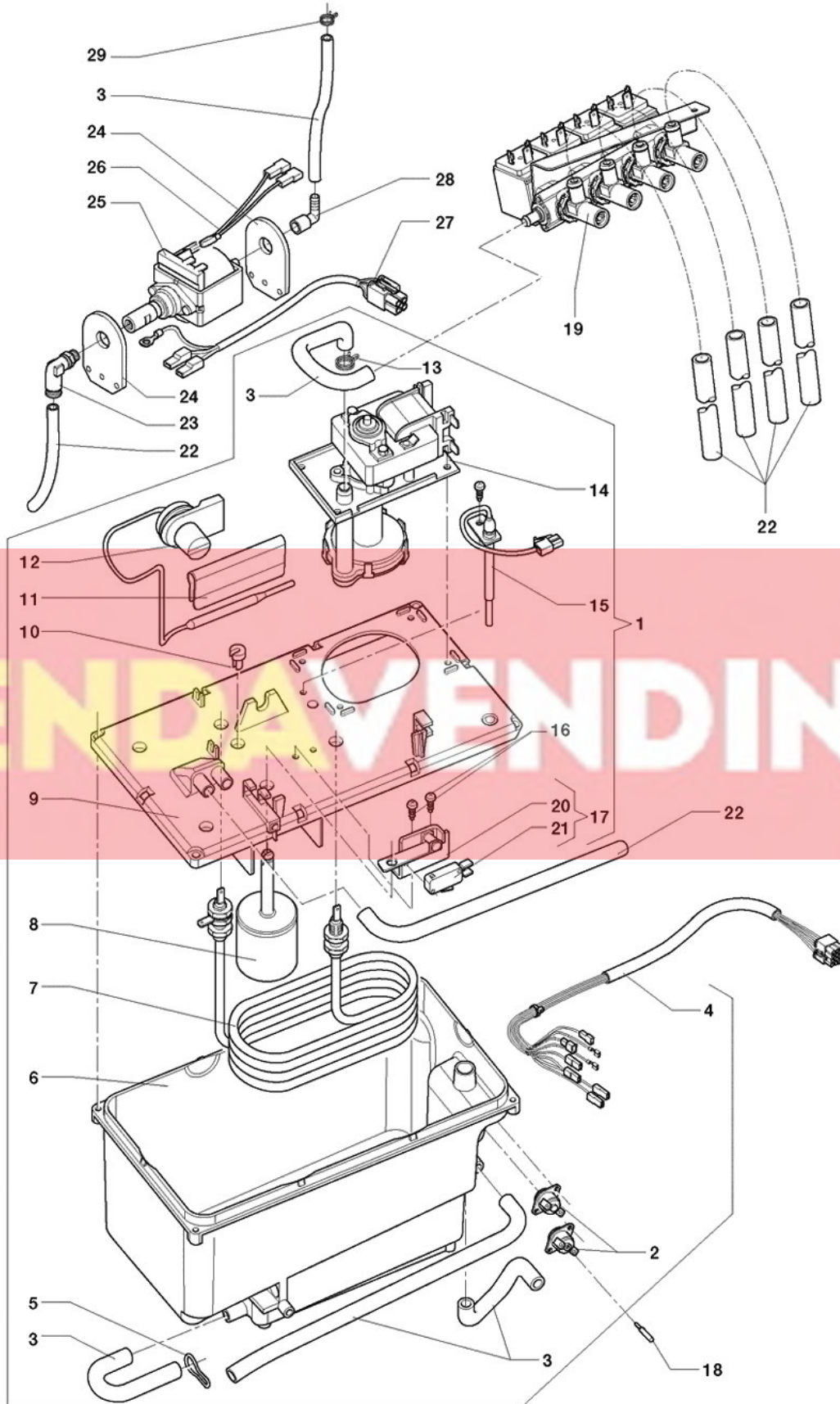
	Code	Description	Notes
1	251833	Z3000 COFFEE ASSEMBLY	
2	251101	RH-LH SUPPORT	
3	098569	FLANGE FOR SPRING	
4	098689	PREINFUSION SPRING	
5	098567	LID FOR SPRING	
6	098691	LOWER PISTON GUIDE	
7	098688	PISTON RETURN SPRING	
8	098690	CONTROL BUSH	
9	090421	GASKET OR 2025	
10	099490	LOWER PISTON	
11	251089	O-RING - 29.3X3.6 UL	
12	098687	COFFEE FILTER	
13	251235	STEEL SCREW M3X10MM	
14	098693	ROD CRANK BLOCKING	
15	098574	ROTATING LEVER	
16	098692	ROTATING LEVER ROLL	
17	098573	CRANK	
18	0V3889	SCREW 6X14	
19	092717	FIXING COLLAR DIAM MM10	
20	098565	TRACE FOR PISTON COMMAND	
21	096569	FIXING COLLAR DIAM 12	
22	098571	REAR SLEDGE	
23	250290	SCREW 4.2X26	
24	251766	COFFEE FEED SLIDE	
25	251740	COFFEE SCRAPER	
26	098568	CROSS-BAR	
27	098577	UPPER PISTON	
28	0V1789	WATER DEFLECTOR	
29	0V1715	BREWING CHAMBER W/PLUG	
30	098572	FRONT SLEDGE	
31	098818	STOPPING RING D.4	
32	098575	OSCILLATING LEVER	
33	252020	TIEROD WITH KNURLED NUT	
34	251868	COFFEE GROUNDS CONVEYOR	
35	098708	MOTOREDUCER	
36	098763	CRANK WITH PIN	
37	096355	MICRO SWITCH -UL -	
38	091287	OUTER FIXING COLLAR	
39	252277	SCRAPER SPRING	
40	252164	Z3000 COFFEE UNIT WITH HEATER	
41	0V1784	FRONT PANEL	
42	0V1785	REAR PANEL	

Table :07 - Coffee unit

	Code	Description	Notes
43	252165	COMPLETE HEATER SUPPORT	
44	252166	25 WATT 110/265 V RESISTOR	
45	0V1787	SUPPORT	
46	0V1788	CONTACT SPRING	
47	987948	LOCKING WASHER	

The logo for TIENDA VENDING is displayed on a red background. The word "TIENDA" is in yellow, and "VENDING" is in white. A yellow curved line follows the right side of the word "VENDING".

Table :08 - Hvdraulic svstem Instant



TIENDA VENDING

Table :08 - Hydraulic system Instant

	Code	Description	Notes
1	251897	COMPL. SOLUBLE POWDER BOILER	
2	251890	ANTI-BOIL THERMOSTAT	
3	097512	SILICONE HOSE 6X12 BROWN	
4	251887	F.B. BOILER BRACKET WIRING	
5	092703	TUBE CLAMP	
6	251803	BOILER TANK	
7	251884	2200 WATT RESISTANCE	
8	251810	FLOAT	
9	251804	BOILER COVER	
10	099844	GASKET	
11	251824	THERMOSTAT BULB CARRIER	
12	251891	BULB THERMOSTAT	
13	095515	HOSE CLIP DIAM 14	
14	251823	CENTRIFUGAL PUMP	
15	251892	PROBE	
16	987612	EJOT-PT-SCREW 4X12	
17	251896	LEVEL MONITORING SYSTEM	
18	0V2074	THERMOSTAT ACTUATOR	
19	252093	4-ELECTROVALVE UNIT	
20	251878	MICRO-SWITCH CARRIER PLATE	
21	251889	SAIA MICRO-SWITCH	
22	097511	SILICONE HOSE 6X9 BROWN	
23	251914	90° MALE RUBBER HOLDER	
24	0V4275	POMPE SUPPORT	
25	099893	PUMP	
26	0V1301	110 DEGREES THERMAL OVERLOAD	
27	251904	TANK PUMP WIRING	
28	252021	PIPETTE	
29	097122	HOSE CLIP	

Table :09 - Cabinet

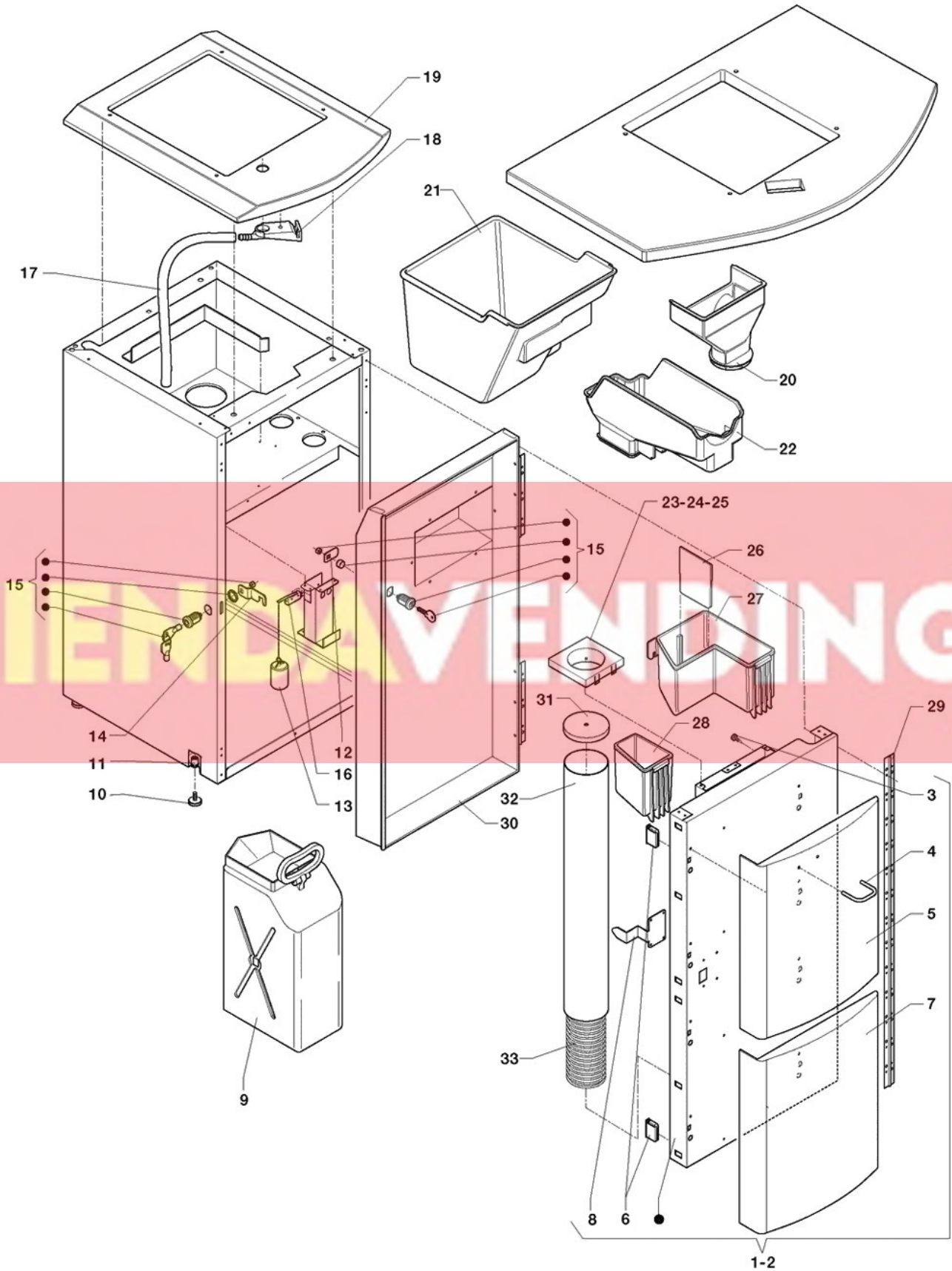


Table :09 - Cabinet

	Code	Description	Notes
1	252051	ASSEMBLY CABINET DOOR WITH HANDLE	
2	0V3000	CABINET DOOR (BLACK)	
3	097879	NICKELPLATED SCREW	
4	250723	CABINET HANDLE	
5	250724	CABINET COVER - BLACK -FOR HANDLE	
6	250182	MAGNET	
7	0V2984	CABINET DOOR TOP (BLACK)	
8	0V2537	BOLT HOOK	
9	0V2656	LIQUID WASTE COLLECTION CONTAINER	
10	0V2566	FOOT	
11	250037	THREADED INSERT M6	
12	0V3460	LATCH BOLT	
13	094294	FLOAT	
14	0V2569	BOLT HOOK	
15	098303	LOCK TYPE 'N'	
16	093308	MICROSWITCH SERIE RLL/D	
17	093628	HOSE VIPLA TRANSPARENT DIAM MM 14X1	
18	0V4213	RUBBER PIECE HOLDER	
19	252041	SUB-CONSOLE SPACER	
20	252039	COFFEE GROUNDS DISCHARGE	
21	252038	COFFEE GROUNDS TRAY	
22	252040	FRESH-BREW GROUNDS-DRAIN	
23	252046	CUP COVER 70-71	
24	252047	CUP COVER 57-58	
25	252048	CUP COVER 73-74	
26	252049	CONTAINER SEPARATOR	
27	252044	SUGAR CONTAINER	
28	252043	STIRRING BAR CONTAINER	
29	0V2996	CABINET DOOR HINGE (BLACK)	
30	252050	CABINET MIDDLE DOOR	
31	252042	CUP PUSHER DISK	
32	252045	CUP COLUMN	
33	093611	SERVICE TABLE SPRING	

Table :10 - Lateral modules

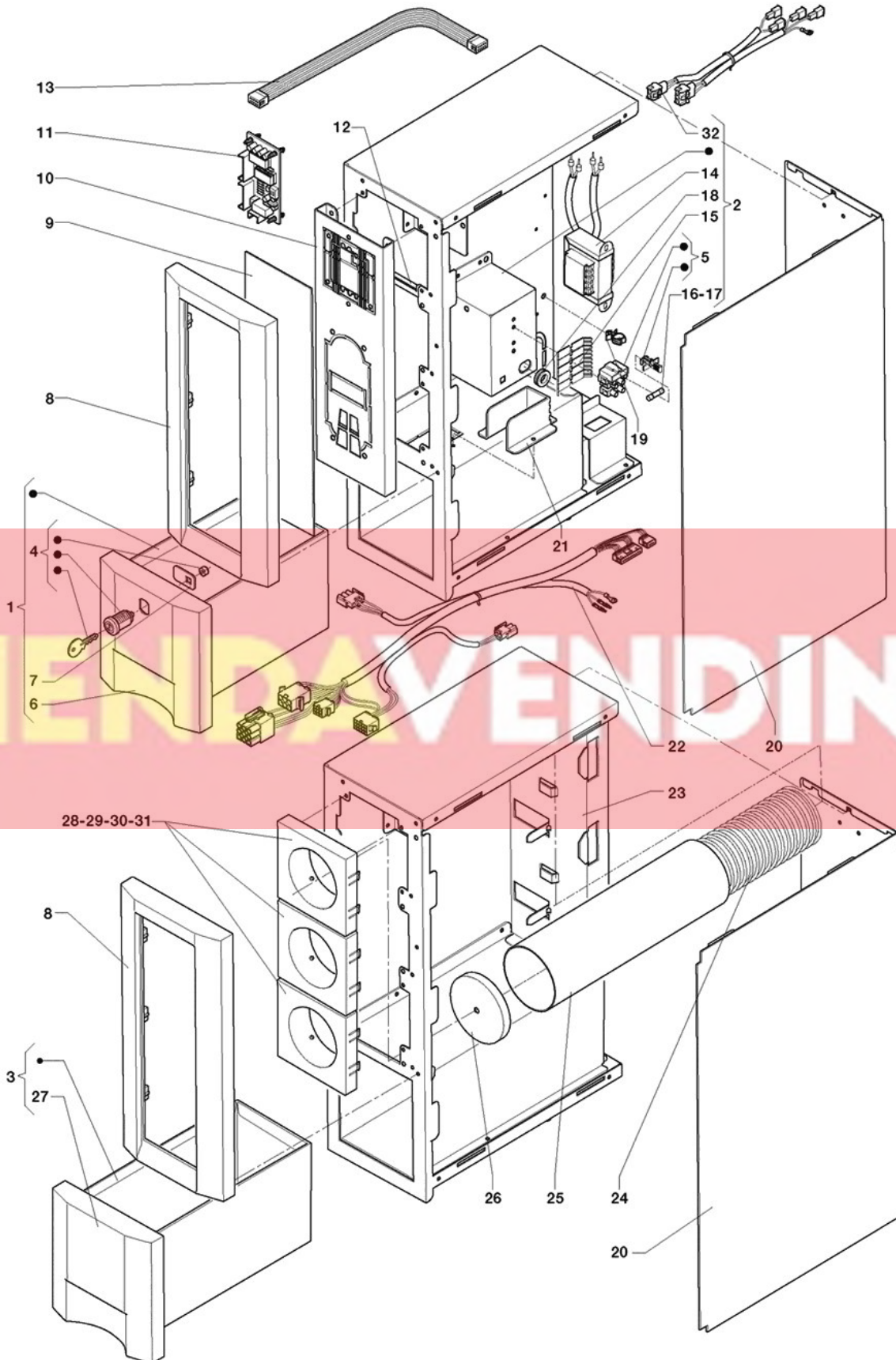


Table :10 - Lateral modules

	Code	Description	Notes
1	252081	COIN-BOX	
2	252082	TRANSFORMER	
3	252071	SUGAR/STIRRER DRAWER	
4	098303	LOCK TYPE 'N'	
5	097241	3-POLE TERMINAL BOARD W/CARRIER	
6	252139	COINBOX MOLDING	
7	252138	LATCH	
8	252069	PAY-SYSTEM MOLDING	
9	252078	FRONT LABEL	
10	252076	PAYMENT SUPPORT	
11	0V2750	INTERFACE CARD	
12	252066	REINFORCEMENT	
13	252079	COIN VERIFIER EXTENSION WIRING	
14	095708	TRANSFORMER 220/24/28V 50W	
15	097242	SUB-TERMINAL BOARD	
16	0V0456	FUSE 160MA	
17	097097	FUSE 2 AMP.5X20 DELAYED ACT	
18	090021	WHIPPING DIAM 10.5 MM	
19	098166	WIRE-FIXING	
20	252064	MODULE COVER	
21	252077	COIN CHUTE	
22	252080	CASHLESS PAYMENT WIRING	
23	252065	TUBE SUPPORTING PLATE	
24	252067	CUPS THRUST SPRING	
25	252068	CUP COLUMN	
26	252042	CUP PUSHER DISK	
27	252070	DRAWER MOLDING	
28	252047	CUP COVER 57-58	
29	252046	CUP COVER 70-71	
30	252048	CUP COVER 73-74	
31	252072	CUP COVER 78/79	
32	252140	PAYMENT WIRING	

Table :11 - Cup-heating module

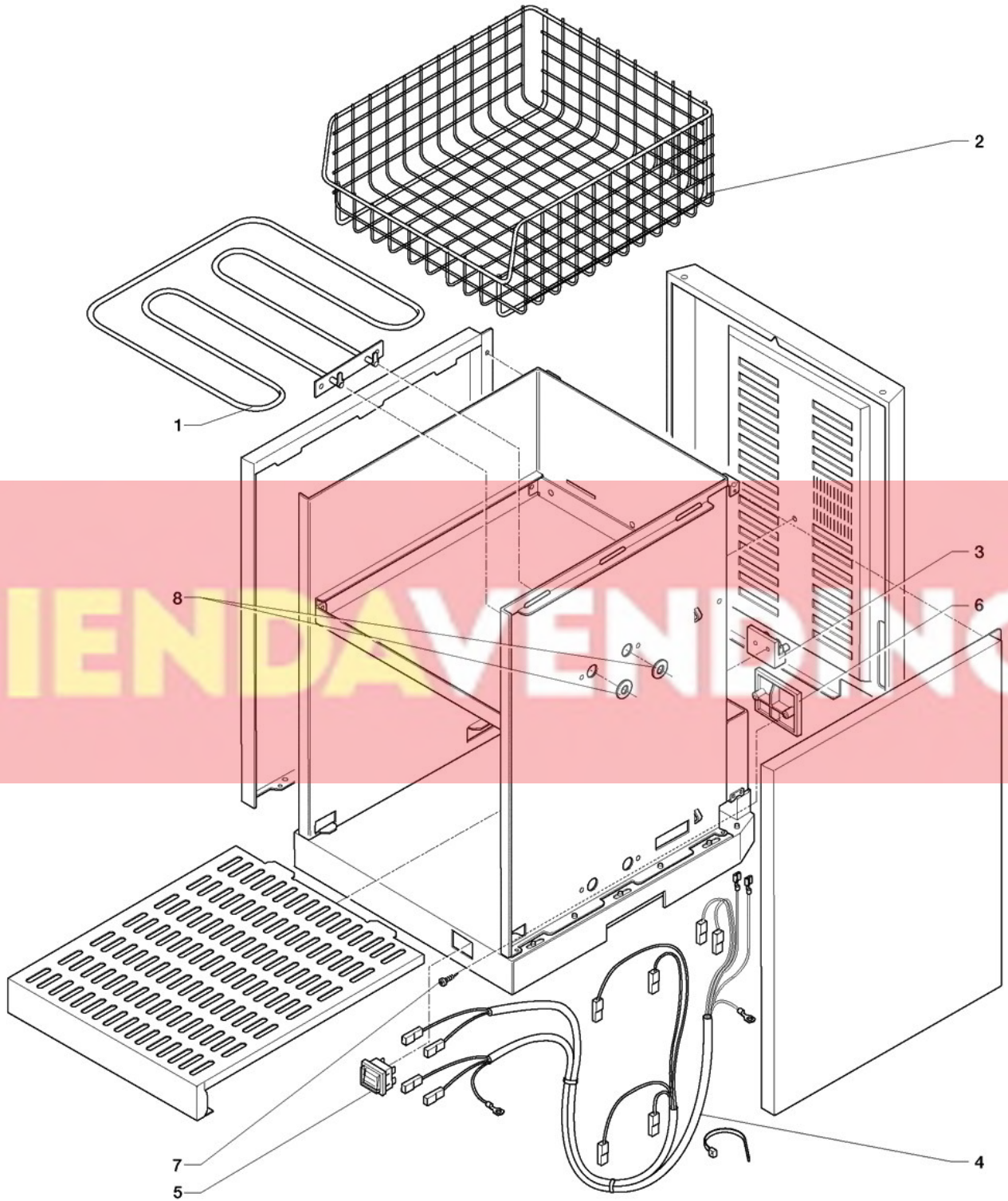


Table :11 - Cup-heating module

	Code	Description	Notes
1	252178	100W 230V-50HZ RESISTANCE	
2	252176	CUPS REST	
3	251856	TERMINAL STRIP	
4	252179	CUPS-WARMER WIRING	
5	252180	TWO-POLE SWITCH WITH LIGHT	
6	251813	WATER SUPPLY CIRCUIT STOPPER	
7	987612	EJOT-PT-SCREW 4X12	
8	252177	GASKET	

The logo for TIENDA VENDING features the word "TIENDA" in yellow and "VENDING" in white, both in a bold, sans-serif font. To the right of the text is a yellow graphic element consisting of a thick, curved line that forms a partial circle, resembling a stylized "D" or a smile.

Table :12 - Pin and connectors

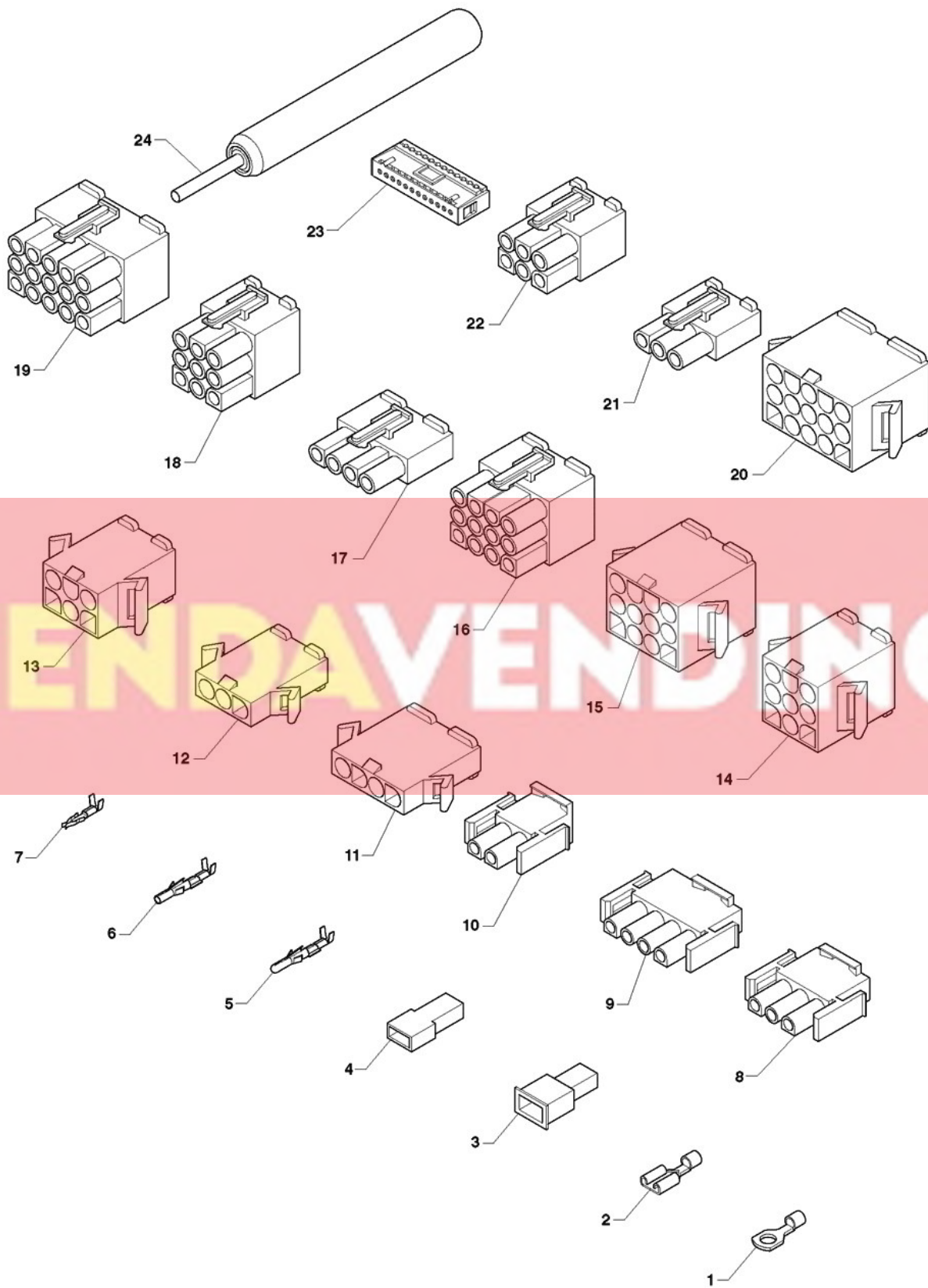


Table :12 - Pin and connectors

	Code	Description	Notes
1	090957	EYELET TERMINAL	
2	090959	FASTON W/O TONGUE	
3	091192	FASTON COVER	
4	090247	FEMALE FASTON COVER	
5	095955	TERMINAL MALE	
6	096136	TERMINAL FEMALE	
7	094405	TERMINAL FEMALE 2.5	
8	094954	FEMALE HOLDER CONNECTOR 3-WAYS	
9	098062	4-WAY CONNECTOR MATE-N-LOK AMP	
10	094955	FEMALE HOLDER CONNECTOR 2-WAYS	
11	0V0809	4-PIN CONNECTOR/P MOLEX 3191	
12	0V0808	3-PIN CONNECTOR/P MOLEX 3191	
13	0V0810	6-PIN CONNECTOR/P MOLEX 3191	
14	0V0811	9-PIN CONNECTOR/P MOLEX 3191	
15	0V0812	12-PIN CONNECTOR/P MOLEX 3191	
16	0V0818	12-PIN CONNECTOR/P MOLEX 3191	
17	0V0815	4-PIN CONNECTOR/P MOLEX 3191	
18	0V0817	9-PIN CONNECTOR/P MOLEX 3191	
19	0V0819	15-PIN CONNECTOR/P MOLEX 3191	
20	0V0813	15-PIN CONNECTOR/P MOLEX 3191	
21	0V0814	3-PIN CONNECTOR/P MOLEX 3191	
22	0V0816	6-PIN CONNECTOR/P MOLEX 3191	
23	094961	FEMALE HOLDER CONNECTOR P.I. 12-W	
24	0V0820	MOLEX CONTACT PULLER	