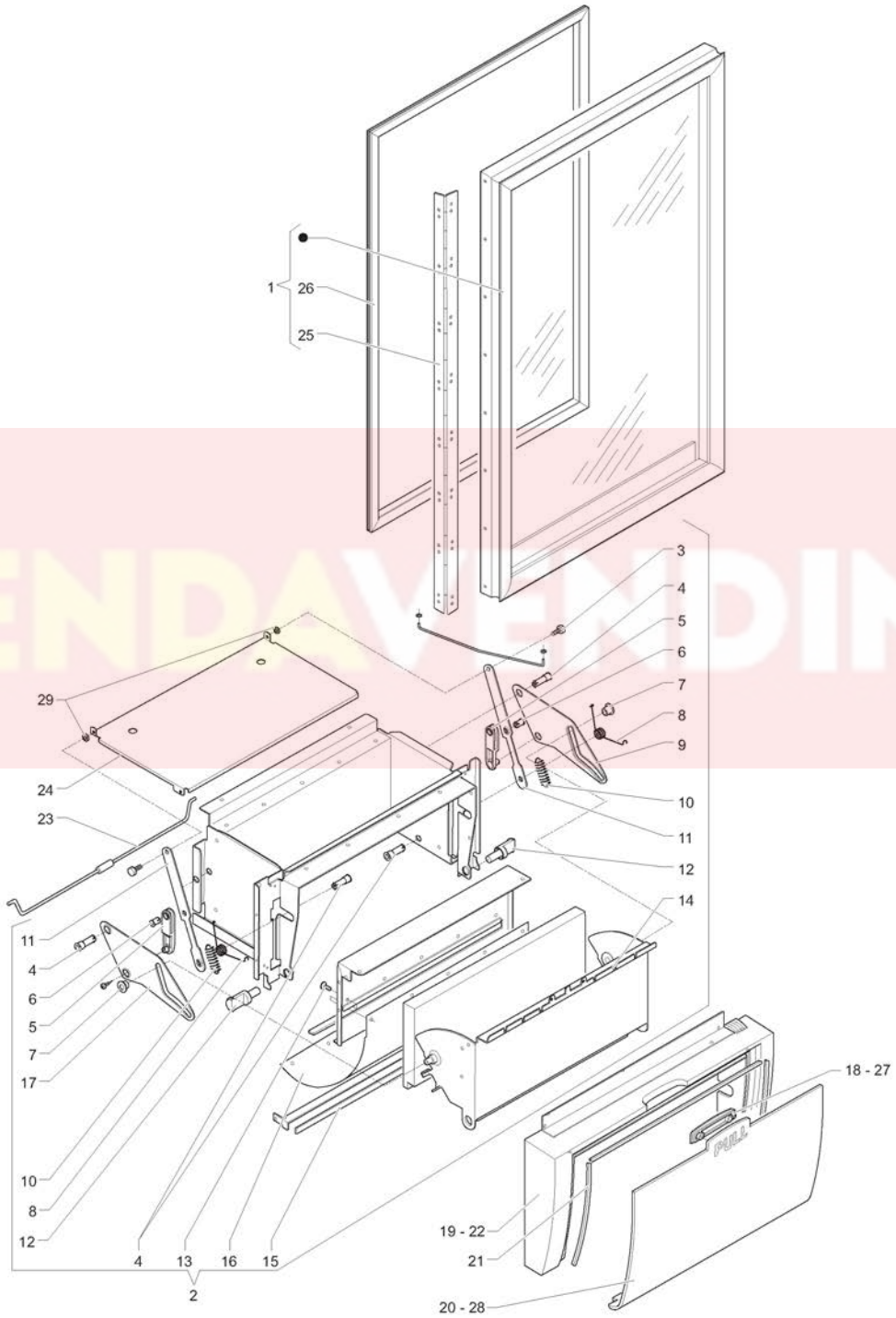
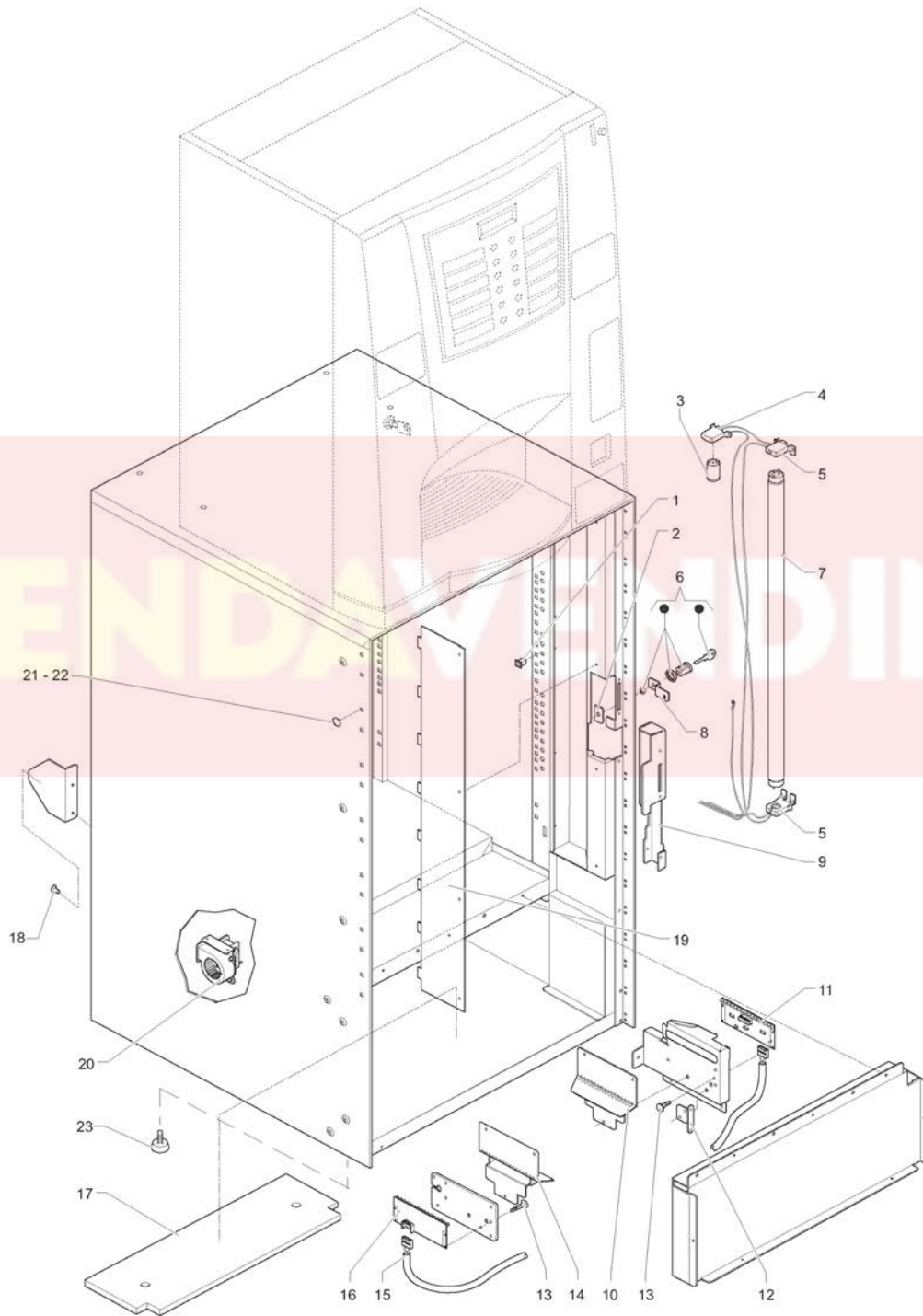


MINISNAKKY - 230V 50HZ

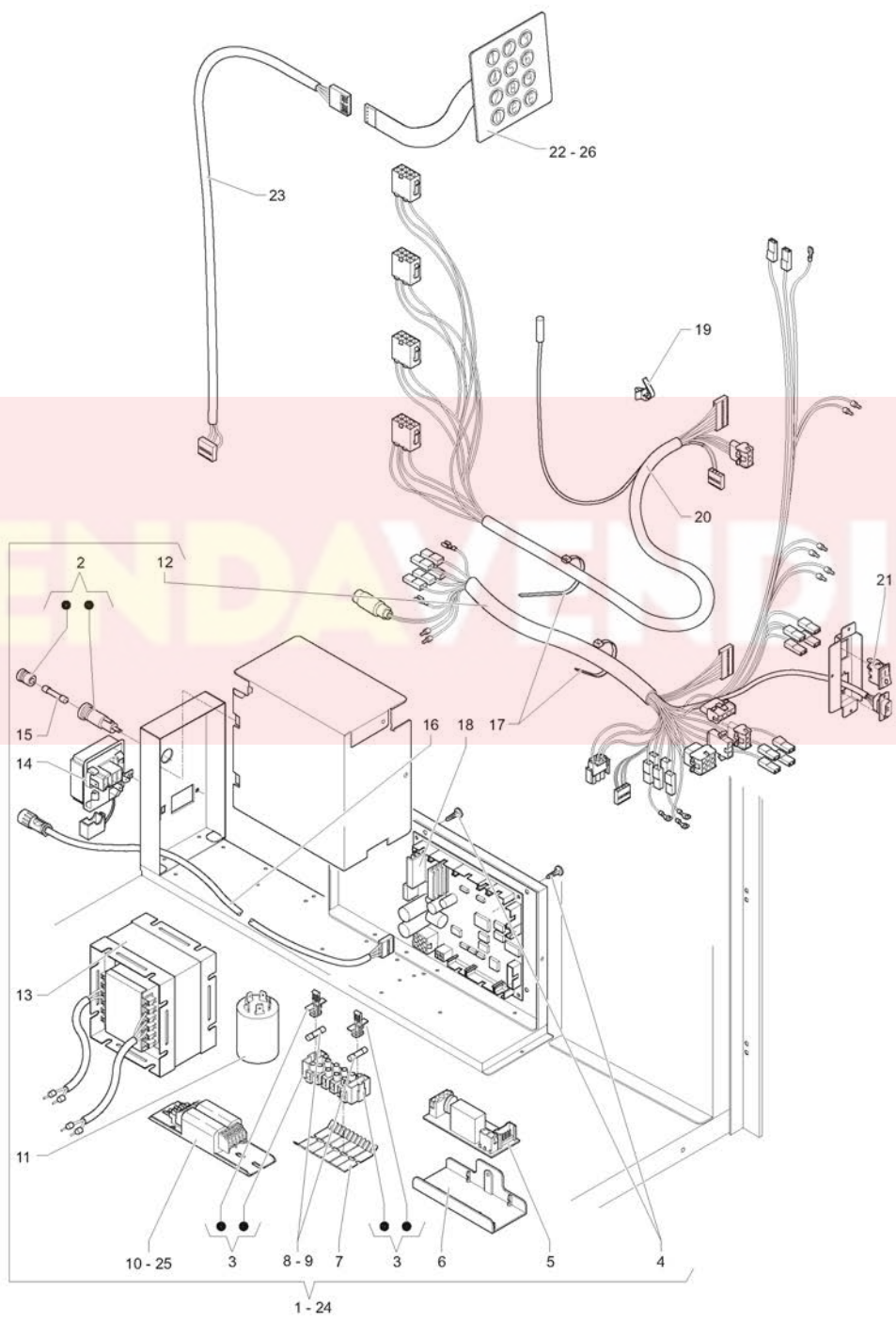
TIENDA VENDING



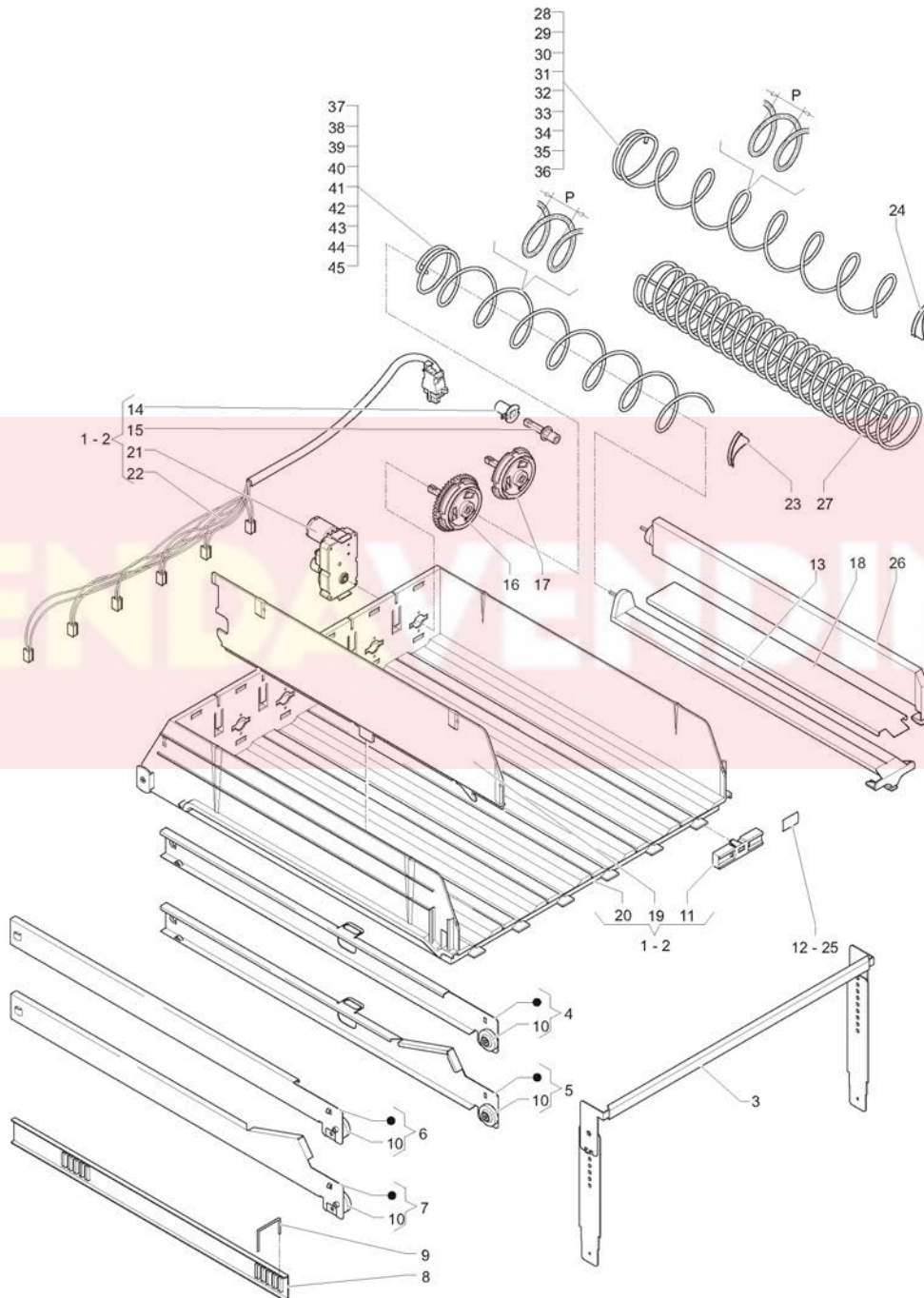
	Code	Description	Notes
1	252627	DOOR WITH GLASS	
2	252625	DISPENSING COMPARTMENT MECHANISM	
3	090615	COLLAR SCREW	
4	0V3477	CAM PIN	
5	0V3475	ANTI-THEFT ROD	
6	0V3474	ANTI-THEFT PIN	
7	985826	CONNECTING ROD BUSH	
8	252637	LEVER RETURN SPRING	
9	252635	RIGHT CAM	
10	252630	SPRING	
11	252636	DISPENSING COMPARTMENT LEVER	
12	0V3480	ROTATION BUSHING	
13	099727	STOPPER	
14	252629	DISPENSING COMPARTMENT SUPPORT	
15	251515	ADHESIVE SEAL (A METER)	
16	252632	DISPENSING COMPARTMENT CHUTE	
17	252638	LEFT CAM	
18	252612	HANDLE COVERING	
19	252921	DISPENSING COMPARTMENT MOLDING-BLACK-	
20	252617	DISPENSING COMPARTMENT COVER	
21	0V3481	SEAL (BY METRE)	
22	252616	DISPENSING COMPARTMENT MOLDING	
23	252624	BALANCING BRIDGE	
24	252643	DOOR PLATE	
25	252641	WINDOW HINGE	
26	252642	MGNETIC SEAL	
27	252920	HANDLE COVERING -BLACK-	
28	252922	DISPENSING COMPARTMENT COVER-BLACK-	
29	0V0102	ROLLER	



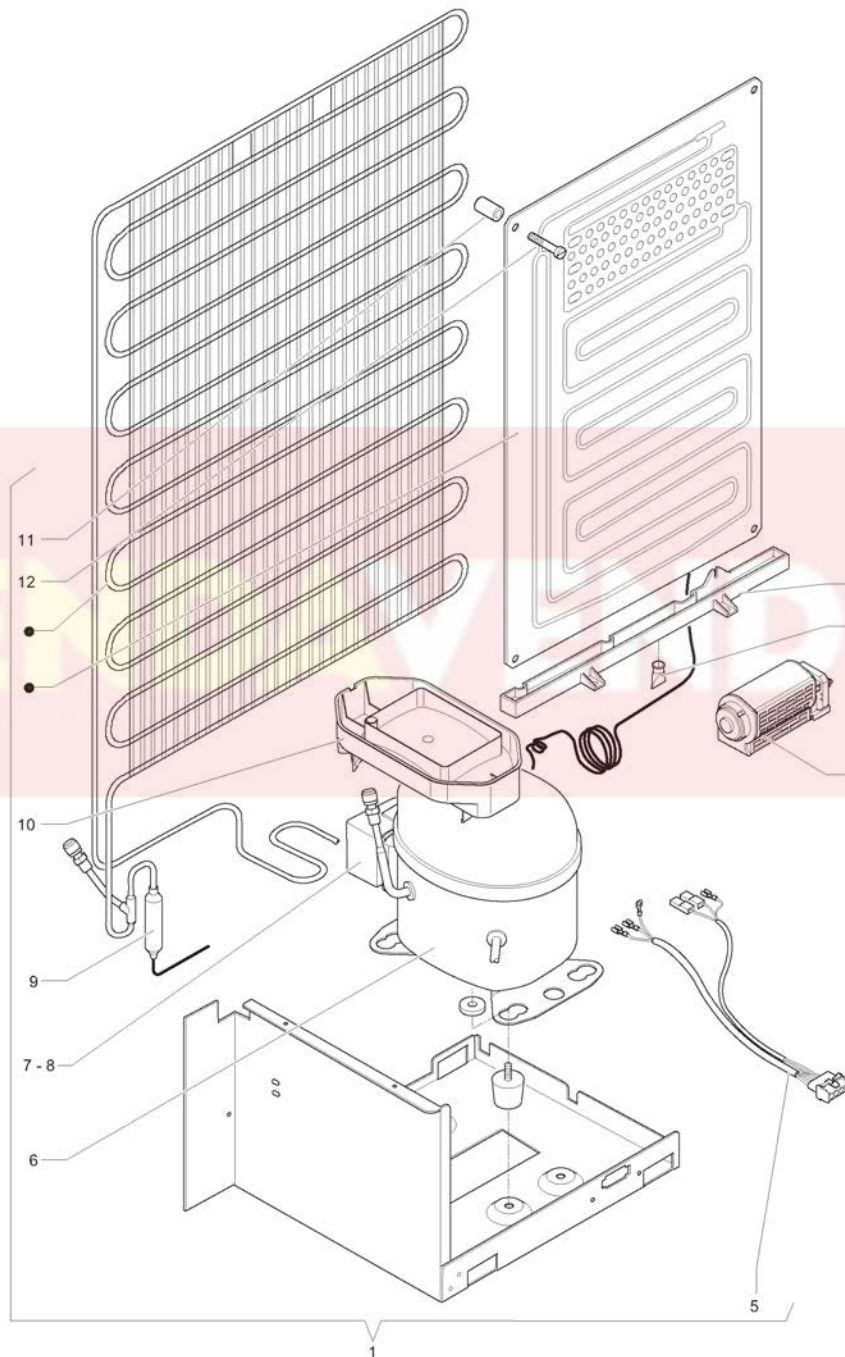
	Code	Description	Notes
1	094111	INSULATING DOLLY BLOCK	
2	093908	LOCKING POSITION DISK	
3	091802	STARTER TYPE S10	
4	0V1554	STARTER HOLDER	
5	099153	LAMP-HOLDER	
6	099905	LOCK RIELDA	
7	252873	NEON LIGHT 18/54 WATT	
8	252611	LATCH BOLT	
9	252610	LOCK STRENGTHENING	
10	252688	RIGHT PRODUCTS DEFLECTOR	
11	0V3498	TRANSMITTING PHOTOCELL CARD	
12	252609	BRACKET	
13	252615	SPACER	
14	252644	LEFT PRODUCTS DEFLECTOR	
15	0V3454	PHOTOCELL WIRING	
16	0V3499	RECEIVING PHOTOCELL CARD	
17	252618	DAMPER BEARING	
18	251850	BASE FOOT	
19	252613	LAMP PROTECTION	
20	252623	ELECTROVENTILATOR	
21	0V3585	STOPPER	
22	253525	STOPPER -BLACK-	
23	252124	4 FEET KIT	



	Code	Description	Notes
1	252620	ELECTRICAL PANEL	
2	0V3201	FUSE HOLDER	
3	097241	3-POLE TERMINAL BOARD W/CARRIER	
4	097175	CARD SPACER	
5	0V0016	OUTR-VARISTOR CARD	
6	094849	COVERING-HOLDER	
7	097242	SUB-TERMINAL BOARD	
8	250425	FUSE T 250 MAMP 5X20	
9	097103	FUSE 1.25A 5X20 DELAYED ACTION	
10	251736	BALLAST EEI=B2 230V-50HZ	
11	0V3512	ELECTRICAL NET FILTER	
12	252628	ELECTRICAL PANEL WIRING	
13	250585	TRASFORMER G40 230/26 VOLT	
14	098796	TERMINAL BOARD	
15	0V3170	6.3 AMP FUSE 6.3X32	
16	250587	MASTER-SLAVE CONNECTION WIRING	
17	090148	CLIP	
18	252436	16 BIT CPU BOARD 4MB	
19	098165	WIRE-FIXING	
20	252619	MAIN WIRING ASSEMBLY	
21	252621	TWO-POLE SWITCH	
22	0V3459	PUSH-BUTTON PANEL	
23	250583	KEYPAD WIRING	
24	253516	ELECTRICAL PANEL 240V 50HZ	
25	253517	BALLAST EC18 240V 50HZ	
26	250009	PUSH-BUTTON PANEL -BLACK/SILVER	

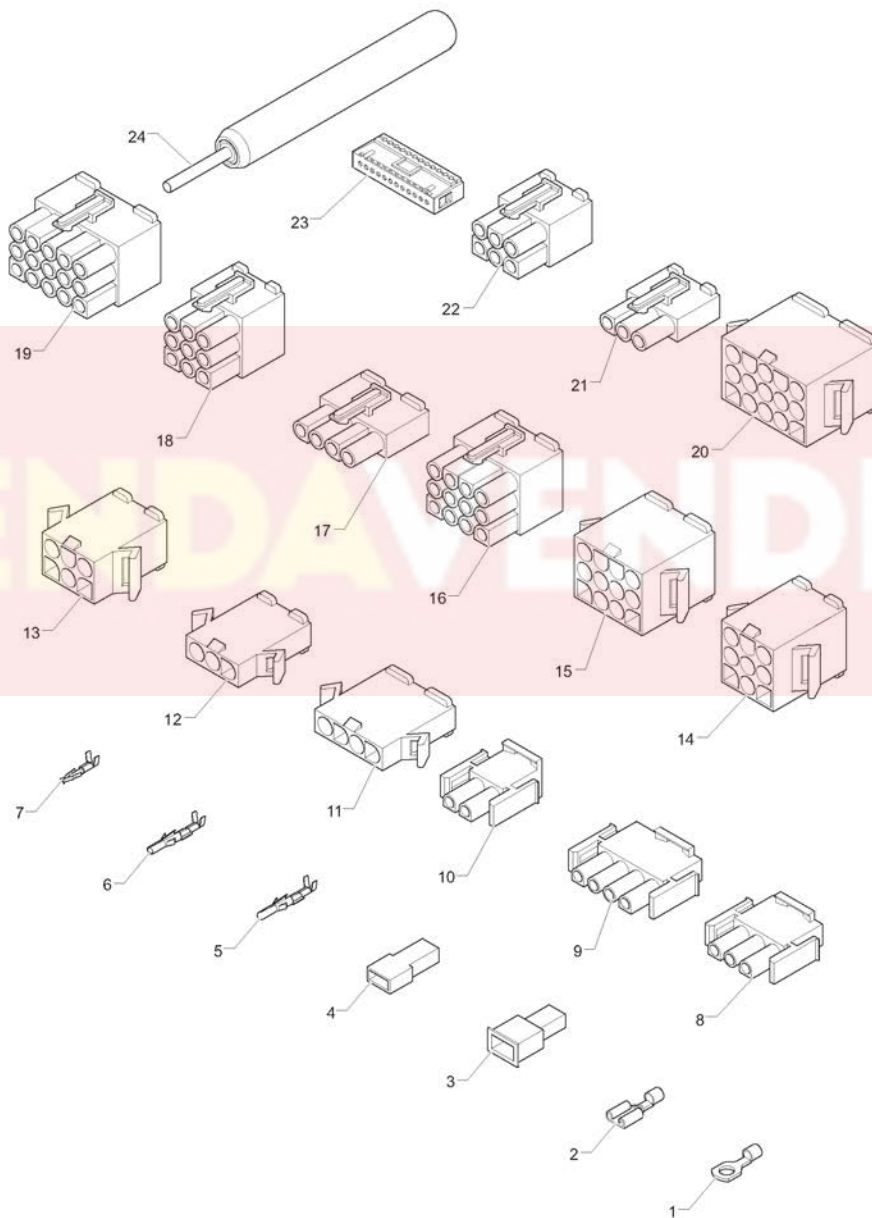


	Code	Description	Notes
1	0V3495	TRAY ASSEMBLY WITH 6 SELECTIONS-SNAKKY	
2	0V3486	TRAY ASSEMBLY WITH 3 SELECTIONS	
3	0V3528	BOTTLE BRIDGE	
4	0V3432	RH STATIONARY GUIDE	
5	0V3434	RH BENT GUIDE	
6	0V3435	LH STATIONARY GUIDE	
7	0V3436	LH BENT GUIDE	
8	0V3509	DRAWER EDGE ELEVATION	
9	0V3510	DRAWER ELEVATION PIN	
10	0V0102	ROLLER	
11	0V3493	DRAWER WITH LABEL	
12	250580	TRAY PLATE - SLAVE -	
13	0V3497	PRODUCT ELEVATION	
14	0V0080	BUSH FOR PIN	
15	0V0079	BUSH	
16	250321	ASSEMBLY FOR DOUBLE SPIRAL	
17	250320	ASSEMBLY FOR SINGLE SPIRAL	
18	251185	PRODUCT ELEVATION SPACER	
19	0V3492	DRAWER EDGE	
20	0V3487	TRAY	
21	0V0075	MOTOREDUCER	
22	0V3494	DRAWER WIRING	
23	0V0099	LEFT EJECTOR	
24	0V0098	RIGHT EJECTOR	
25	0V3504	(Q.TY 80) TRAY LABELS	
26	0V3505	SPIRAL INSERT 1/2 REV	
27	0V3540	RH SPIRAL. PITCH 24 1/2 TURN (19+19 PROD.)	
28	0V3500	RH SPIRAL. PITCH 54 (8 PRODUCTS)	
29	0V3502	RH SPIRAL. PITCH 34 (13 PRODUCTS)	
30	0V3503	RH SPIRAL. PITCH 80 (6 PRODUCTS)	
31	0V3529	RH SPIRAL. PITCH 24 (19 PRODUCTS)	
32	0V3530	RH SPIRAL. PITCH 46 (10 PRODUCTS)	
33	0V3531	RH SPIRAL. PITCH 64 (7 PRODUCTS)	
34	0V3537	RH SPIRAL. PITCH 30 (15 PRODUCTS)	
35	0V3538	RH SPIRAL. PITCH 40 (11 PRODUCTS)	
36	251321	RH SPIRAL. PITCH 100 (5 PRODUCTS)	
37	0V3536	LH SPIRAL. PITCH 80 (6 PRODUCTS)	
38	0V3539	LH SPIRAL. PITCH 40 (11 PRODUCTS)	
39	0V3532	LH SPIRAL. PITCH 24 (19 PRODUCTS)	
40	0V3533	LH SPIRAL. PITCH 34 (13 PRODUCTS)	
41	0V3534	LH SPIRAL. PITCH 46 (10 PRODUCTS)	
42	0V3535	LH SPIRAL. PITCH 64 (7 PRODUCTS)	
43	0V3501	LEFT SPIRAL. PITCH 54 (8 PRODUCTS)	
44	251320	LH SPIRAL. PITCH 100 (5 PRODUCTS)	
45	253625	LEFT SPIRAL.PITCH 30(15 PRODUCTS)	



	Code	Description	Notes
1	252626	COOLING UNIT	
2	252614	EVAPORATOR TRAY	
3	0V0346	DRAIN TUBE	
4	252622	TANGENTIAL FAN	
5	252639	COOLING UNIT WIRING	
6	252640	COMPRESSOR ACC GL70AA	
7	252796	THERMAL OVERLOAD	
8	252797	RELAY START	
9	0V3519	DEHYDRATOR FILTER	
10	0V3515	CONDENSATE COLLECTION TRAY	
11	097728	ROLL	
12	096097	SCREW	

TIENDA VENDING



	Code	Description	Notes
1	090957	EYELET TERMINAL	
2	090959	FASTON W/O TONGUE	
3	091192	FASTON COVER	
4	090247	FEMALE FASTON COVER	
5	095955	TERMINAL MALE	
6	096136	TERMINAL FEMALE	
7	094405	TERMINAL FEMALE 2.5	
8	094954	FEMALE HOLDER CONNECTOR 3-WAYS	
9	098062	4-WAY CONNECTOR MATE-N-LOK AMP	
10	094955	FEMALE HOLDER CONNECTOR 2-WAYS	
11	0V0809	4-PIN CONNECTOR/P MOLEX 3191	
12	0V0808	3-PIN CONNECTOR/P MOLEX 3191	
13	0V0810	6-PIN CONNECTOR/P MOLEX 3191	
14	0V0811	9-PIN CONNECTOR/P MOLEX 3191	
15	0V0812	12-PIN CONNECTOR/P MOLEX 3191	
16	0V0818	12-PIN CONNECTOR/P MOLEX 3191	
17	0V0815	4-PIN CONNECTOR/P MOLEX 3191	
18	0V0817	9-PIN CONNECTOR/P MOLEX 3191	
19	0V0819	15-PIN CONNECTOR/P MOLEX 3191	
20	0V0813	15-PIN CONNECTOR/P MOLEX 3191	
21	0V0814	3-PIN CONNECTOR/P MOLEX 3191	
22	0V0816	6-PIN CONNECTOR/P MOLEX 3191	
23	094961	FEMALE HOLDER CONNECTOR P.I. 12-W	
24	0V0820	MOLEX CONTACT PULLER	