

Table :01 - Door, external side

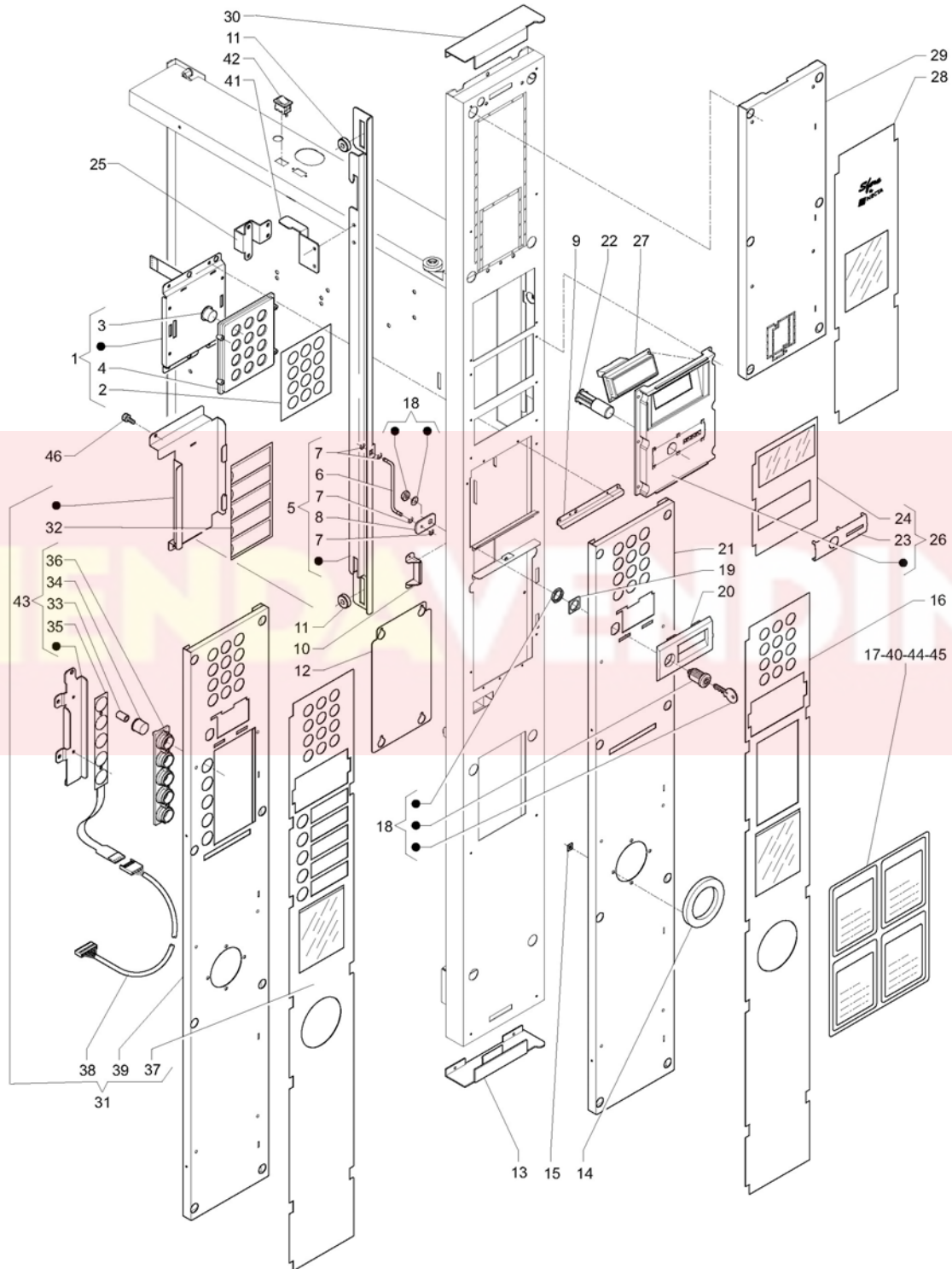


Table :01 - Door, external side

	Code	Description	Notes
1	250531	KEYPAD ASSEMBLY	
2	0V0070	MEMBRANE CONTROL PANEL	
3	0V4233	SELECTION BUTTONS	
4	0V4228	MEMBRANE-TYPE PUSH-BUTT.PANEL ELEM.	
5	250533	CLOSING ROD	
6	250494	CLOSING PIN	
7	091287	OUTER FIXING COLLAR	
8	250487	LATCH BOLT	
9	250483	PUSH-BUTTON PANEL STRENGTHENING	
10	250490	LOCK INNER PROTECTION	
11	0V2047	LOCK ROD SPACER	
12	250474	CLOSING PIN PROTECTION	
13	250512	LOWER HEAD EXTENSION	
14	0V2073	DARK GREY COIN RETURN FRAME	
15	093829	LEVER LOCK CLIP	
16	250516	LOWER LABEL	
17	250983	INSTRUCTION PLATE 'SPANISH'	
18	099905	LOCK RIELDA	
18	099043	LOCK TYPE'N'PREFER	
19	093908	LOCKING POSITION DISK	
20	250514	HANDLE	
21	250473	COIN RETURN ELEMENT	
22	250506	COIN RETURN BUTTON	
23	250480	COIN INSERT PLATE	
24	250515	CENTRE LABEL	
24	253526	CENTRE LABEL -SELECTA-	
25	251052	UPPER CLOSING BRACKET	
26	253529	DISPLAY SUPPORT -SELECTA-	
26	250513	DISPLAY SUPPORT	
27	251658	DISPLAY 4X20 BLUE	
28	253528	UPPER LABEL -SELECTA-	
28	250554	UPPER DOOR LABEL	
29	250472	PAYMENT ELEMENT	
30	250511	UPPER HEAD EXTENSION	
31	250747	DIRECT KEYBOARD KIT	
32	250780	ADHESIVE LABEL HOLDER	
33	250159	PUSH-BUTTON ACTUATOR	
34	0V2071	COIN RETURN BUTTON	
35	250781	CONTROL PANEL DIRECT SELECTION	
36	250778	SUPPORT SELECTION KEYS	
37	250779	COIN RETURN LOWER LABEL	
37	253527	COIN RETURN LABEL -SELECTA-	

Table :01 - Door, external side

	Code	Description	Notes
38	250741	KEY-BOARD WIRING	
39	250777	COIN RETURN ELEMENT	
40	251003	INSTRUCTION PLATE -PORTUGUESE-	
41	250887	LEVER FOR MICROSWITCH	
42	097807	BUTTON	
43	252492	CONTROL PANEL DIRECT SELECTION	
44	250555	INSTRUCTIONS PLATE 'I'	
45	250984	INSTRUCTION PLATE 'ENGLISH'	
46	096977	KNURL	

TIENDA VENDING

Table :02 - Door, internal side

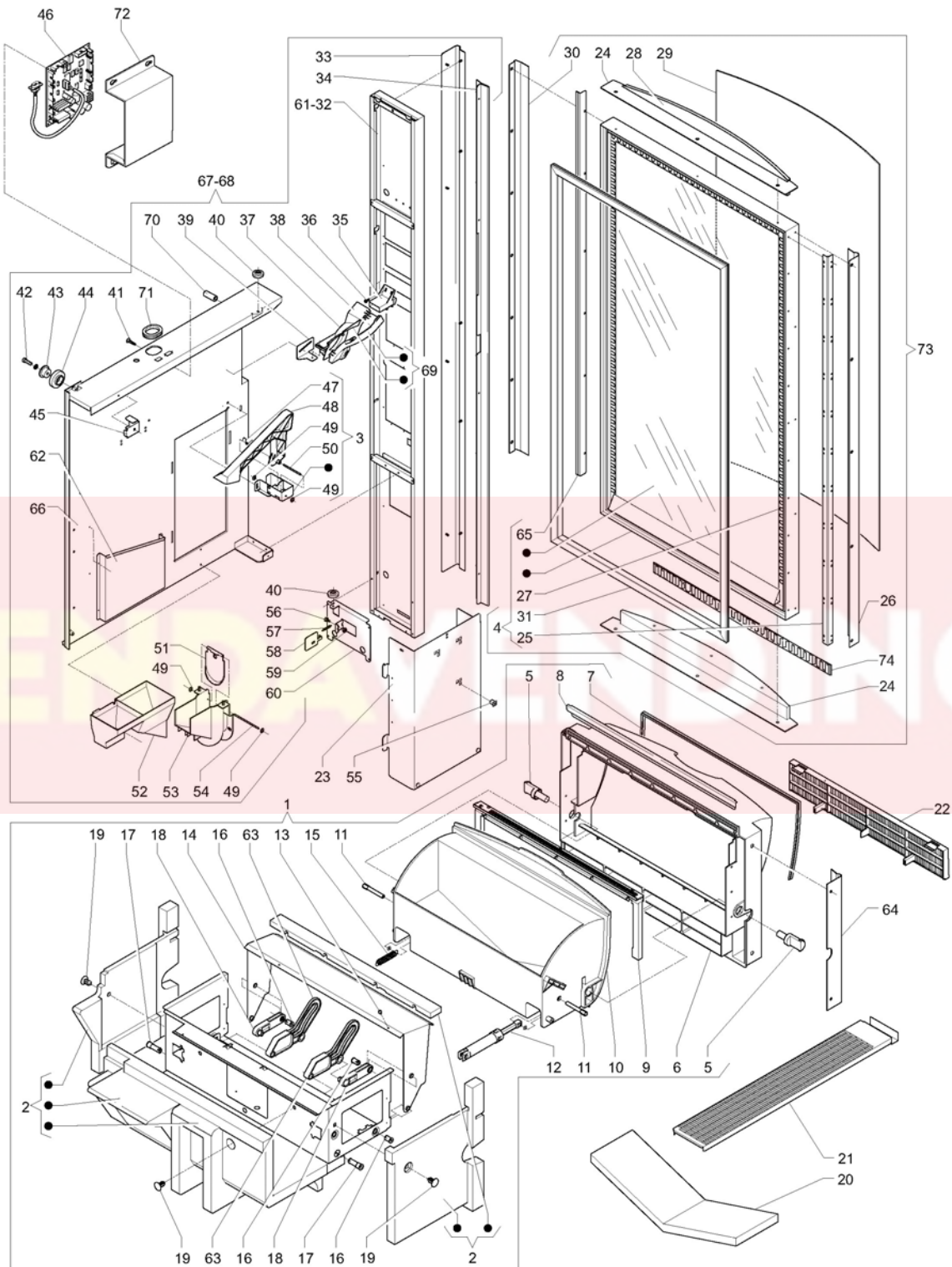


Table :02 - Door, internal side

	Code	Description	Notes
1	250744	DISPENSING COMPARTMENT. ASS.	
2	250528	DISPENSING COMPARTMENT INSULATION SET	
3	250532	COIN RETURN DEVICE	
4	254321	FOOD WINDOW	from serial number 83101368
4	250897	VM WINDOW	until serial number 83101367
5	250497	ROTATION BUSH	
6	250507	OUTER COMPARTMENT MOLDING	
7	0V3481	SEAL (BY METRE)	
8	250479	DOOR MAGNET PLATE	
9	250508	MOLDING INSERT	
10	250523	DISPENSING COMPARTMENT	
11	250498	SLOWDOWN DEVICE PIN	
12	0V3482	SLOWDOWN CYLINDER	
13	098833	BUFFER	
14	250477	ANTI-THEFT	
15	0V3484	COMPARTMENT RETURN SPRING	
16	0V3474	ANTI-THEFT PIN	
17	0V3477	CAM PIN	
18	0V3475	ANTI-THEFT ROD	
19	0V3583	CLIPS	
20	251197	DAMPER BEARING -SFERA/RONDO'	
21	250475	REMOVABLE GRID	
22	250509	REMOVABLE GRID	
23	250471	COIN MECH SUPPORT	
24	250548	DOOR HEAD	
25	250552	WINDOW HINGE	
26	250547	LH PROFILE	
27	250896	230 VOLT 20 WATT RESISTANCE	
28	250549	DOOR HEAD PLUG	
29	250550	POLYCARBONATE PANEL	
30	250546	RH PROFILE	
31	250545	MAGNETIC SEAL	
32	250534	CONTROL PANEL	
33	251132	SIDE RIGHT PROFILE	
34	251131	CENTRAL DOOR PROFILE	
35	250502	FIXED COIN INTRODUCTION CHUTE	
36	987612	EJOT-PT-SCREW 4X12	
37	250505	UPPER COIN INTRODUCTION HALF CHUTE	
38	250504	LOWER COIN INTRODUCTION HALF CHUTE	
39	250488	HALF CHUTE ADJUSTING BRACKET	
40	0V0102	ROLLER	
41	097175	CARD SPACER	

Table :02 - Door, internal side

Code	Description	Notes	
42	096682	SCREW 6X18	
43	0V3439	WHEEL BUSH	
44	0V3438	WHEEL	
45	0V3469	SUPPORTING PLATE STOP	
46	250458	16BIT CPU BOARD 2MB	TO BE PROGRAMMED number 62000000
46	252436	16 BIT CPU BOARD 4MB	from serial number 62000001
47	099356	SPRING FOR CHANGE	
48	0V3467	COIN RETURN LEVER	
49	093754	BENZING COLLAR QUICKBLOCK BQ DIAM MM	
50	099355	CHANGE GIVING PIN	
51	093890	MONEY RETURN SHUTTER	
52	250500	COIN RETURN CHUTE	
53	250008	COIN RETURN - BLACK -	
54	0V0983	SLIDER PIN	
55	094111	INSULATING DOLLY BLOCK	
56	090615	COLLAR SCREW	
57	093978	SPRING FOR ACTUATOR	
58	0V1673	MICROSWITCH CONTROL LEVER	
59	091703	SELF-BLOCKING NUT M4	
60	250484	DOOR MICRO ACTUATOR SUPPORT	
61	250782	CONTROL PANEL DIRECT SELECTION	
62	0V3594	DOCUMENTATION HOLDER	
63	0V3476	ANTI-THEFT DEVICE CONTROL CAM	
64	250491	LH DISPENSING COMPARTMENT PROFILE	
65	250795	LOCKING PROFILE	
66	253263	SUPPORT PANEL	
67	251276	USER INTERFACE - SFERA -	
68	252169	USER INTERFACE - SFERA LX-	
69	253563	COIN INTRODUCTION CHUTE-SELECTA-	
70	0V1431	SPACER	
71	093916	WHIPPING OVAL	
72	251500	CARD PROTECTION	
73	253861	FOOD WINDOW	from serial number 83101368
73	253860	FOOD WINDOW	until serial number 83101367
74	250551	10W-24V RESISTANCE	from serial number 83101368

Table :03 - Block for dispensing compartment

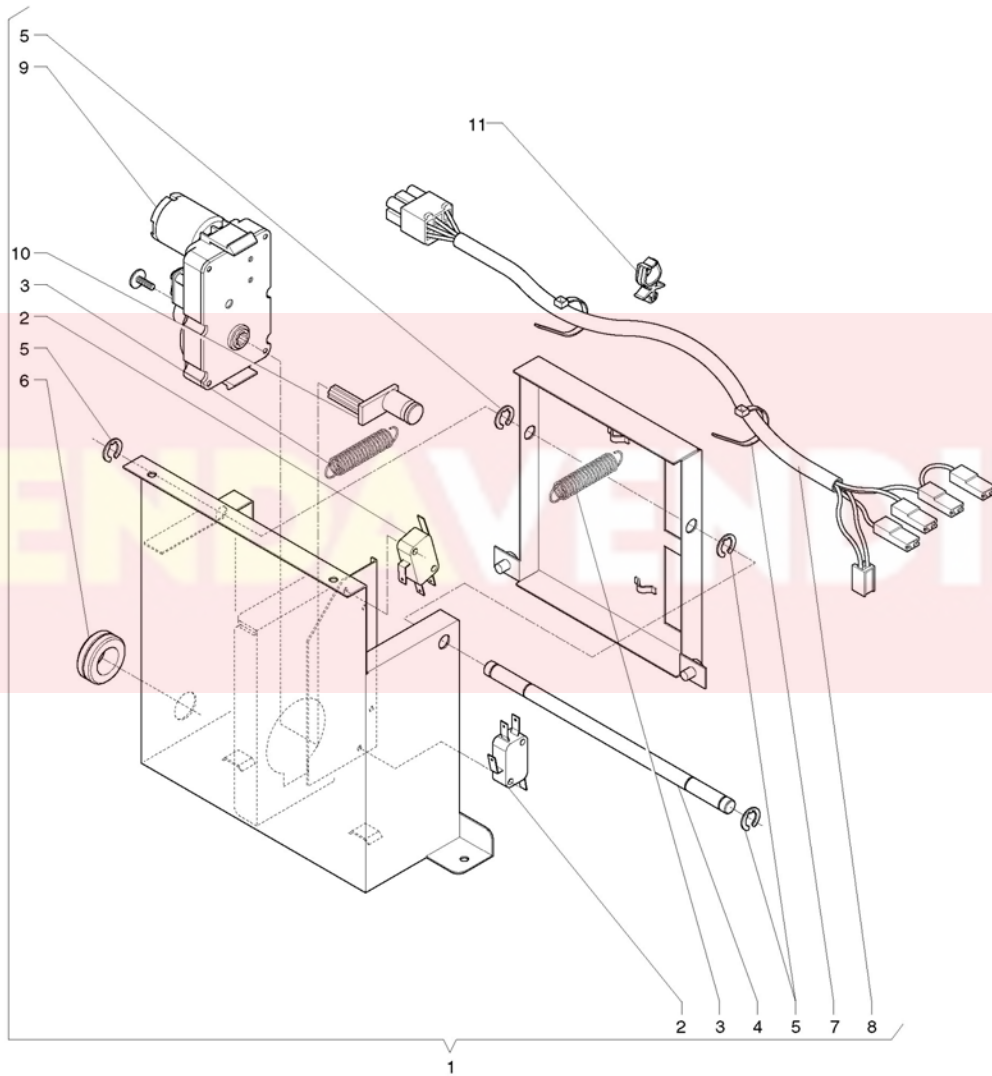


Table :03 - Block for dispensing compartment

	Code	Description	Notes
1	250123	BLOCK FOR DISPENSING COMPARTMENT	
2	0V1141	MICROSWITCH	
3	093978	SPRING FOR ACTUATOR	
4	250117	PIN	
5	091357	OUTER BENZING COLLAR DIAM MM7	
6	090020	WHIPPING MM 16	
7	090148	CLIP	
8	250118	SLIDER LOCK WIRING	
9	0V0075	MOTOREDUCER	
10	250120	HANDLE	
11	0V4200	CABLE RETAINER	

The logo for TIENDA VENDING is displayed in a large, bold, sans-serif font. The word "TIENDA" is in yellow, and "VENDING" is in white. A yellow curved line resembling a partial smile or a stylized 'D' is positioned to the right of the text. The entire logo is set against a light pink background that spans the width of the page.

Table :04 - Cabinet assy

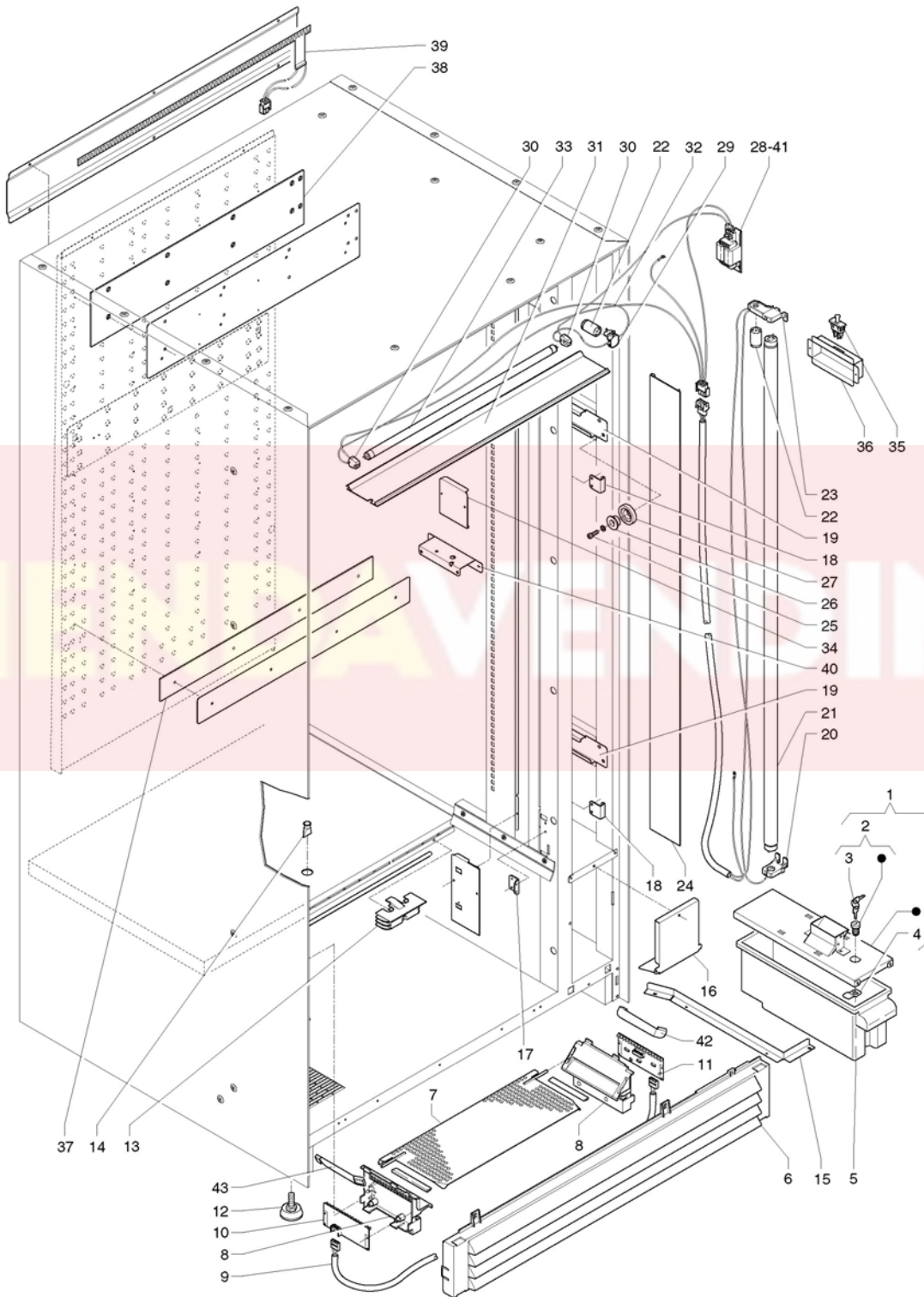


Table :04 - Cabinet assy

	Code	Description	Notes
1	250649	COIN BOX LID + LOCK	
2	090861	CYLINDER LOCK TYPE K	
3	092218	PASSE-PARTOUT LOCK K	
4	0V3595	LATCH	
5	250501	COIN BOX	
6	250510	FEET COVERING	
7	252036	DOOR PLATE	
8	0V3581	PRODUCTS DEFLECTOR	
9	0V3454	PHOTOCELL WIRING	
10	0V3498	TRANSMITTING PHOTOCELL CARD	
11	0V3499	RECEIVING PHOTOCELL CARD	
12	252124	4 FEET KIT	
13	0V3431	TUBE STOP	
14	0V0346	DRAIN TUBE	
15	250481	COIN BOX GUIDE	
16	250524	CONNECTOR COVERING	
17	250476	MOLDING SECURING BRACKET	
18	250489	CLOSING SQUARE	
19	0V3588	UPPER GUIDE	
20	099153	LAMP-HOLDER	
21	985532	NEON LIGHT 36 WATT	
22	091802	STARTER TYPE S10	
23	099154	LAMP-HOLDER W/STARTER-HOLDER	
24	250503	SIDE LAMP PROTECTION	
25	096682	SCREW 6X18	
26	0V3439	WHEEL BUSH	
27	0V3438	WHEEL	
28	0V1614	BALLAST	
29	0V1613	STARTER-HOLDER	
30	0V1612	LAMP HOLDER	
31	250738	LAMP PROTECTION	
32	250739	LAMP WIRE	
33	250740	LAMP	
34	250482	BALLAST COVERING	
35	987575	DOOR CONTACT SWITCH	
36	987577	SUPPORT	
37	250889	CLOSED AIR LOCK INSULATION	
38	250888	OPEN AIR LOCK INSULATION	
39	250551	10W-24V RESISTANCE	
40	251048	WHEEL STRENGTHENING	
41	253518	BALLAST EC13 240V 50HZ	
42	252901	PRODUCTS DEFLECTOR RIGHT COVER	

Table :04 - Cabinet assy

Code	Description	Notes
43 252902	PRODUCTS DEFLECTOR LEFT COVER	



Table :05 - Electric panel

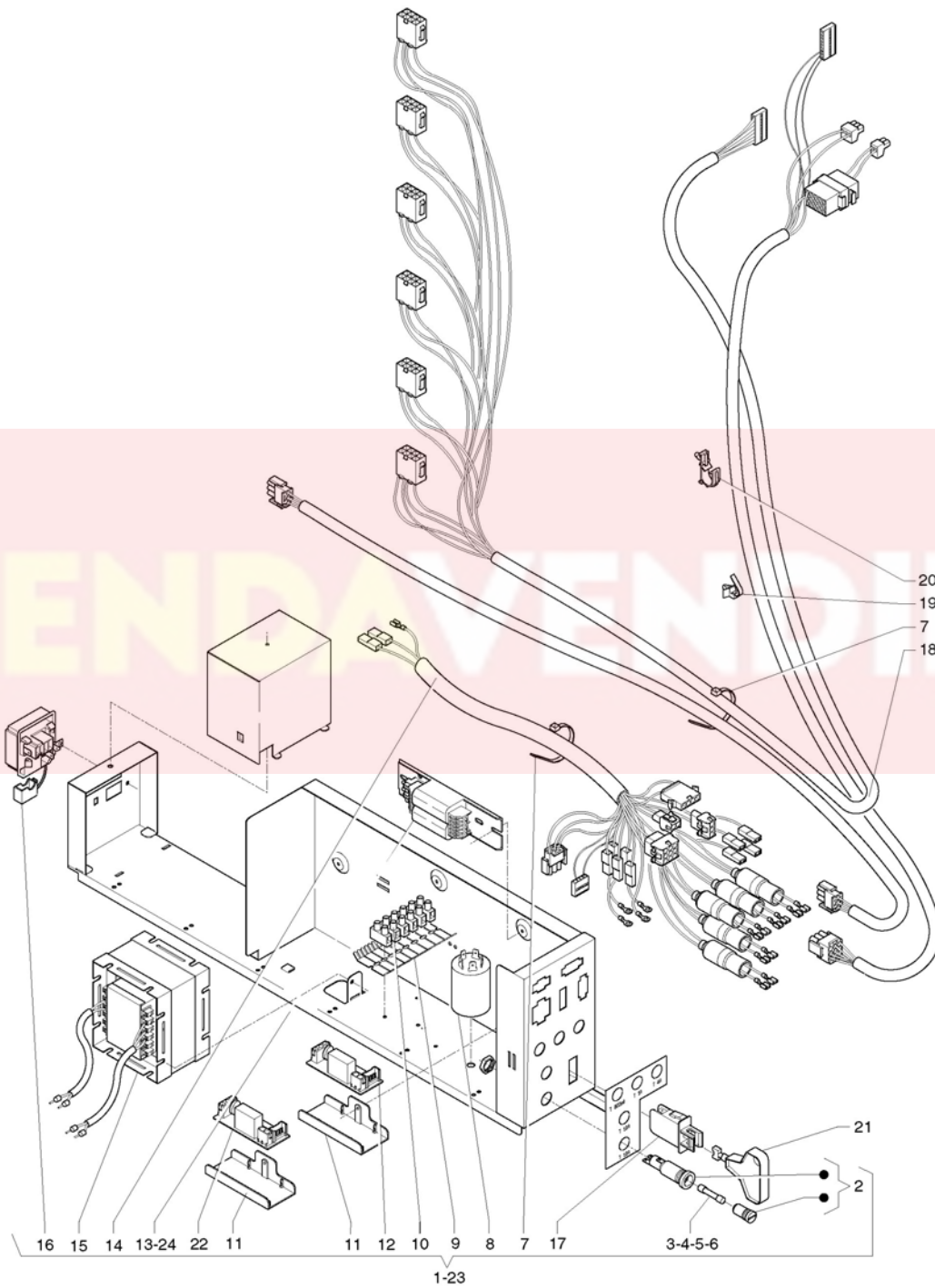


Table :05 - Electric panel

	Code	Description	Notes
1	250893	ELECTRICAL PANEL	
2	0V3201	FUSE HOLDER	
3	0V3170	6.3 AMP FUSE 6.3X32	
4	098779	FUSE 6.3X32 1 AMP	
5	099778	FUSE 4 A 24V	
6	097676	FUSE 800 MA	
7	090148	CLIP	
8	0V3512	ELECTRICAL NET FILTER	
9	097242	SUB-TERMINAL BOARD	
10	253539	12-POLE TERMINAL BOARD	
11	094849	COVERING-HOLDER	
12	0V0015	OUTR CARD	
13	987367	36-40WATT BALLAST	
14	250895	ELECTRICAL PANEL WIRING	
15	0V0014	G49/25-25V TRASFORMER	
16	098796	TERMINAL BOARD	
17	097796	SWITCH	
18	250892	MAIN WIRING	until serial number 83101367
18	253857	MAIN WIRING ASSEMBLY	from serial number 83101368
19	098165	WIRE-FIXING	
20	098459	WIRE-CLIP	
21	0V1654	SWITCH KEY	
22	0V0016	OUTR-VARISTOR CARD	
23	253626	240V ELECTRICAL PANEL ASSEMBLY	
24	252898	240V 50HZ BALLAST -UK-	

Table :06 - Tray and coils

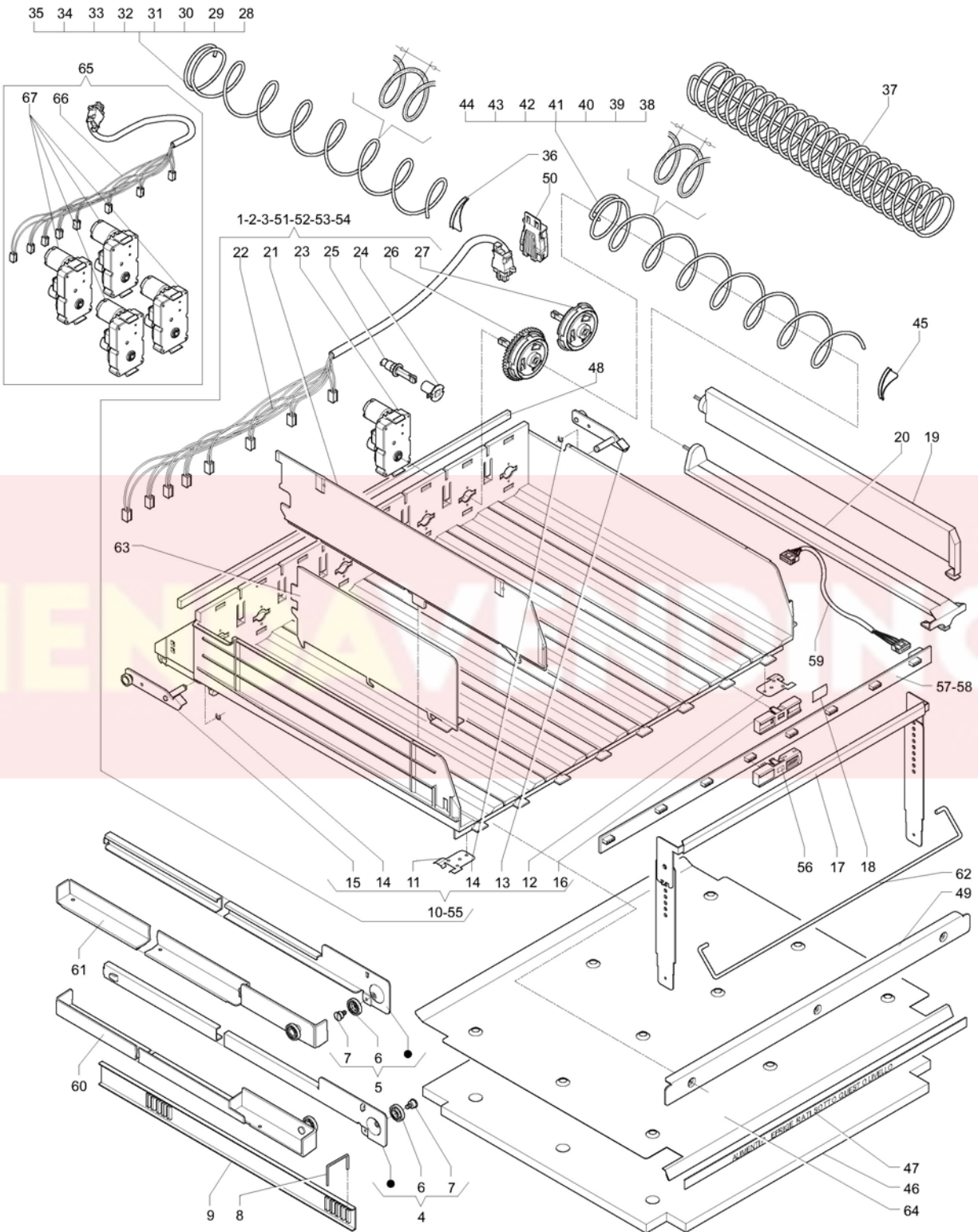


Table :06 - Tray and coils

	Code	Description	Notes
1	250783	TRAY - 2 DOUBLE/4 SINGLE	
2	253536	4-SELECTION TRAY -SELECTA-	
2	250529	4-SELECTION TRAY ASSY.	
3	253537	8-SELECTION TRAY -SELECTA-	
3	250530	8-SELECTION TRAY ASSY.	
4	250526	LH GUIDE	
5	250525	RH GUIDE	
6	250499	GUIDE WHEEL	
7	250493	GUIDE WHEEL PIN	
8	0V3510	DRAWER ELEVATION PIN	
9	0V3509	DRAWER EDGE ELEVATION	
10	250527	TRAY ASSEMBLY	
10	253535	TRAY ASSEMBLY -SELECTA-	
11	250486	LH TRAY STOP SPRING	
12	250485	RH TRAY STOP SPRING	
13	250522	RH CONNECTING ROD	
14	093171	OUTER FIXING COLLAR DIAM MM6	
15	250521	LH CONNECTING ROD	
16	0V3493	DRAWER WITH LABEL	
16	253534	DRAWER WITH LABEL -WHITE-	
17	250648	BOTTLE BRIDGE	
18	0V3504	(Q.ty 80) TRAY LABELS	
19	0V3505	SPIRAL INSERT 1/2 REV	
20	0V3497	PRODUCT ELEVATION	
21	0V3492	DRAWER EDGE	
22	250518	8-MOTOR DRAWER WIRING	
23	0V0075	MOTOREDUCTER	
24	0V0080	BUSH FOR PIN	
25	0V0079	BUSH	
26	250321	ASSEMBLY FOR DOUBLE SPIRAL	
27	250320	ASSEMBLY FOR SINGLE SPIRAL	
28	0V3538	RH SPIRAL. PITCH 40 (11 PRODUCTS)	
29	0V3537	RH SPIRAL. PITCH 30 (15 PRODUCTS)	
30	0V3531	RH SPIRAL. PITCH 64 (7 PRODUCTS)	
31	0V3530	RH SPIRAL. PITCH 46 (10 PRODUCTS)	
32	0V3529	RH SPIRAL. PITCH 24 (19 PRODUCTS)	
33	0V3503	RH SPIRAL. PITCH 80 (6 PRODUCTS)	
34	0V3502	RH SPIRAL. PITCH 34 (13 PRODUCTS)	
35	0V3500	RH SPIRAL. PITCH 54 (8 PRODUCTS)	
36	0V0098	RIGHT EJECTOR	
37	0V3540	RH SPIRAL. PITCH 24 1/2 TURN (19+19 PROD.)	
38	0V3501	LEFT SPIRAL. PITCH 54 (8 PRODUCTS)	

Table :06 - Tray and coils

	Code	Description	Notes
39	0V3532	LH SPIRAL. PITCH 24 (19 PRODUCTS)	
40	0V3533	LH SPIRAL. PITCH 34 (13 PRODUCTS)	
41	0V3534	LH SPIRAL. PITCH 46 (10 PRODUCTS)	
42	0V3535	LH SPIRAL. PITCH 64 (7 PRODUCTS)	
43	0V3536	LH SPIRAL. PITCH 80 (6 PRODUCTS)	
44	0V3539	LH SPIRAL. PITCH 40 (11 PRODUCTS)	
44	253625	LEFT SPIRAL.PITCH 30(15 PRODUCTS)	
45	0V0099	LEFT EJECTOR	
46	250890	TRAY INSULATION	
47	250891	UPPER TRAY LABEL	
48	0V1429	ADHESIVE SEAL (A METER)	
49	251177	TRAY REINFORCEMENT	
50	250536	12-WAY CONNECTOR COVER	
51	252790	'SANDWIC7-SELECTION TRAY ASSY.	
52	252112	8 SEL. TRAY FOR DISPLAY ASSY.	
53	252111	7 SEL. 'SANDWICH' TRAY FOR DISPLAY ASS.	
54	252113	TRAY FOR DISPLAY 2R+4L	
55	252114	7 SEL. TRAY FOR DISPLAY	
56	252109	TRAY DISPLAY	
57	252107	8 DISPLAY TRAY CARD	
58	252108	7 DISPLAY TRAY CARD	
59	252106	DISPLAY WIRING	
60	252116	TRAY LEFT GUIDE	
61	252115	TRAY RIGHT GUIDE	
62	252104	BALANCING BRIDGE	
63	252110	SIDEWALL	
64	252879	TRAY INSULATION SUPPORT	
65	250865	BIDIRECTIONAL DRAWER MOTORS KIT	
66	250866	DRAWER WIRING	
67	0V1838	BIDIRECTIONAL MOTOR	

Table :07 - Cooling unit

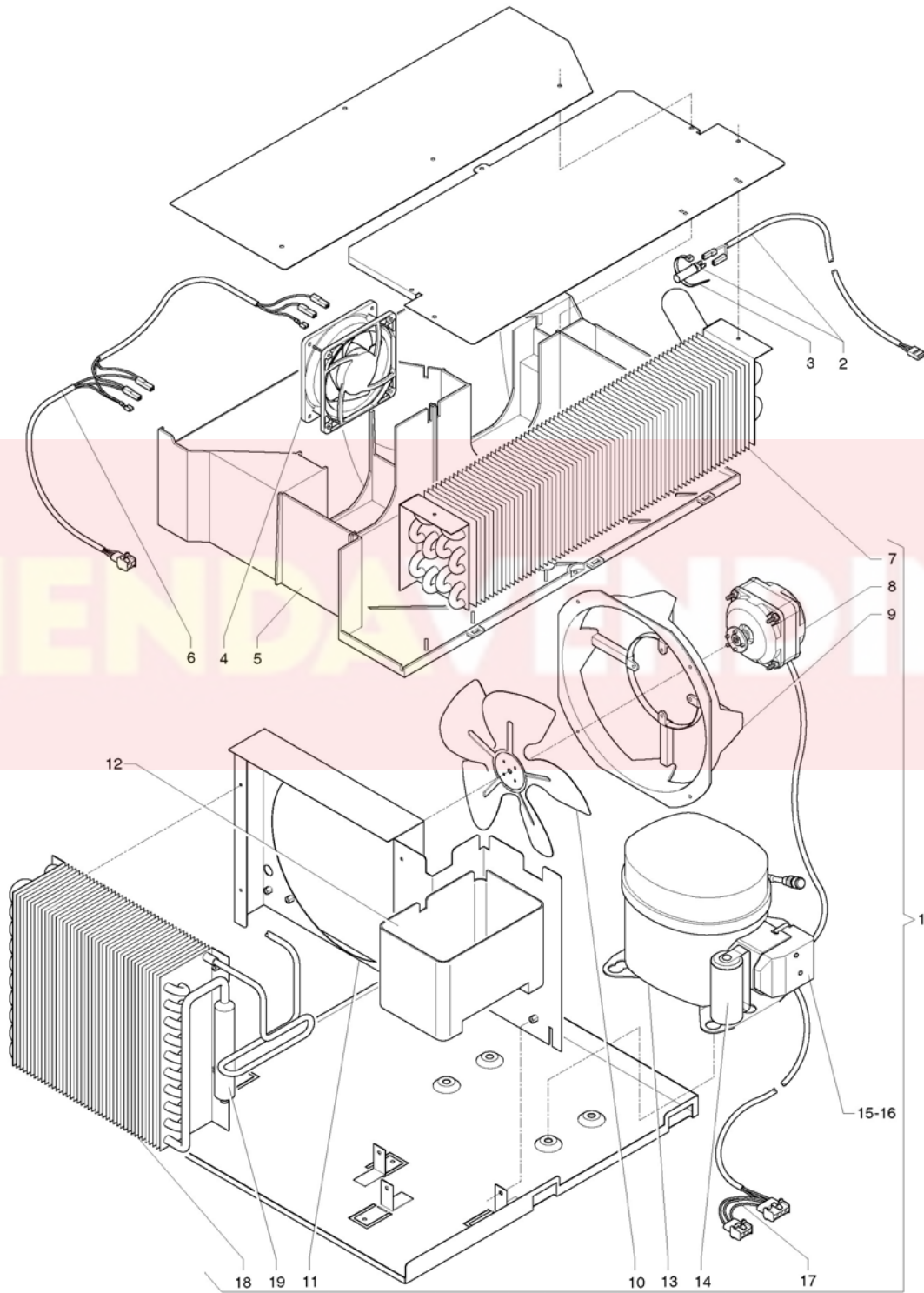


Table :07 - Cooling unit

	Code	Description	Notes
1	250535	COOLING UNIT	
2	250612	TEMPERATURE PROBE	
3	090148	CLIP	
4	987828	FAN	
5	250495	CELL TRAY	
6	250519	EVAPORATOR FAN WIRING	
7	250544	EVAPORATOR	
8	254807	ELECTRIC FAN 16WATT 50/60HZ	
9	250540	FAN CONVEYOR	
10	250538	230-28° FAN WHEEL	
11	250539	CONDENSER FAN SHIELD	
12	250496	CONDENSATE COLLECTION TRAY	
13	986933	COMPRESSOR GP 14 TB R134	
14	985075	CAPACITOR	
15	985074	STARTING RELAY COMPRESSOR	
16	0V1779	THERMOPROTECTOR COMPRESSOR	
17	250541	COOLING UNIT WIRING	
18	250543	CONDENSER	
19	250542	DEHYDRATOR FILTER	

TIENDA VENDING

Table :08 - Pin and connectors

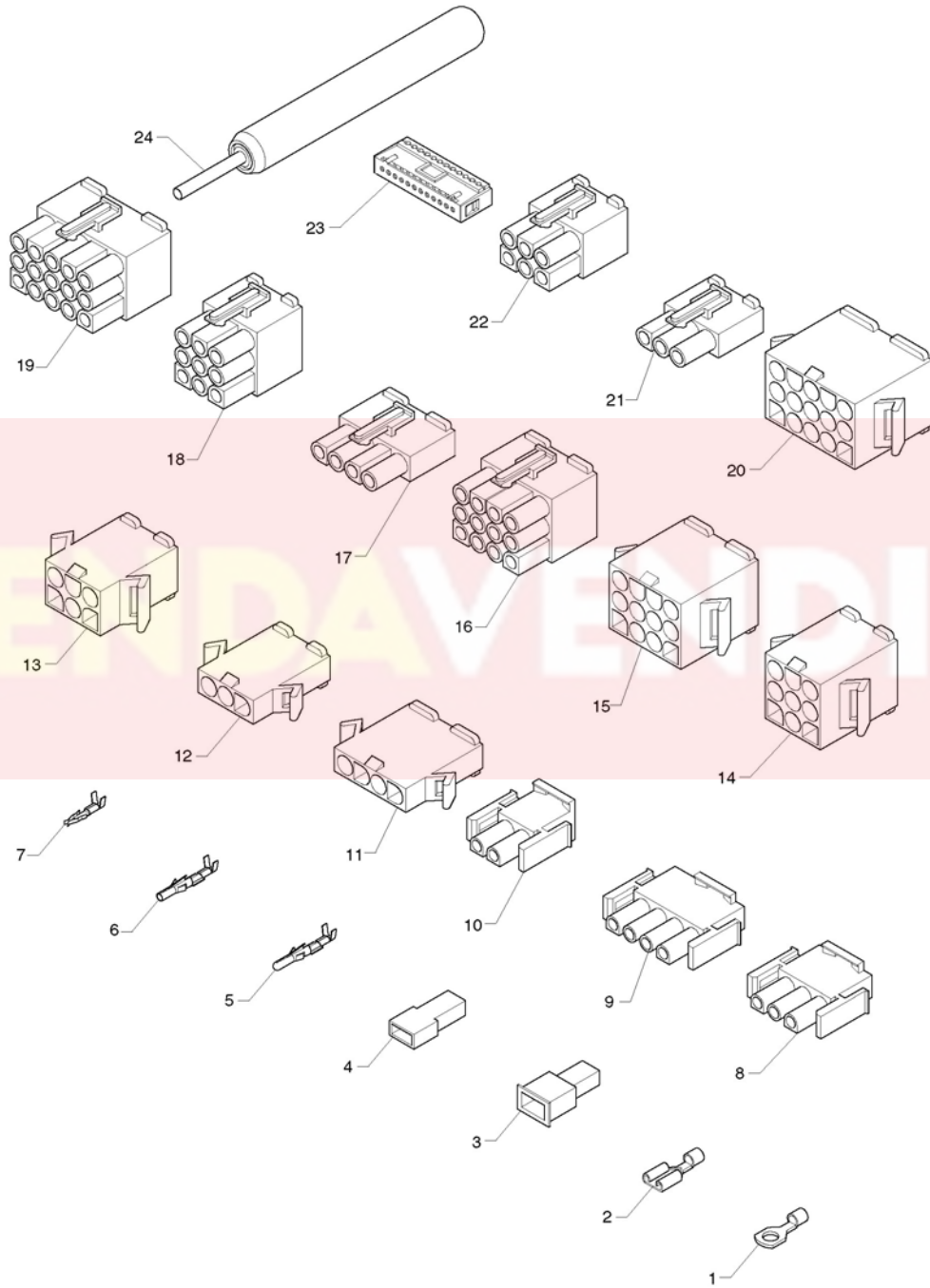


Table :08 - Pin and connectors

	Code	Description	Notes
1	090957	EYELET TERMINAL	
2	090959	FASTON W/O TONGUE	
3	091192	FASTON COVER	
4	090247	FEMALE FASTON COVER	
5	095955	TERMINAL MALE	
6	096136	TERMINAL FEMALE	
7	094405	TERMINAL FEMALE 2.5	
8	094954	FEMALE HOLDER CONNECTOR 3-WAYS	
9	098062	4-WAY CONNECTOR MATE-N-LOK AMP	
10	094955	FEMALE HOLDER CONNECTOR 2-WAYS	
11	0V0809	4-PIN CONNECTOR/P MOLEX 3191	
12	0V0808	3-PIN CONNECTOR/P MOLEX 3191	
13	0V0810	6-PIN CONNECTOR/P MOLEX 3191	
14	0V0811	9-PIN CONNECTOR/P MOLEX 3191	
15	0V0812	12-PIN CONNECTOR/P MOLEX 3191	
16	0V0818	12-PIN CONNECTOR/P MOLEX 3191	
17	0V0815	4-PIN CONNECTOR/P MOLEX 3191	
18	0V0817	9-PIN CONNECTOR/P MOLEX 3191	
19	0V0819	15-PIN CONNECTOR/P MOLEX 3191	
20	0V0813	15-PIN CONNECTOR/P MOLEX 3191	
21	0V0814	3-PIN CONNECTOR/P MOLEX 3191	
22	0V0816	6-PIN CONNECTOR/P MOLEX 3191	
23	094961	FEMALE HOLDER CONNECTOR P.I. 12-W	
24	0V0820	MOLEX CONTACT PULLER	