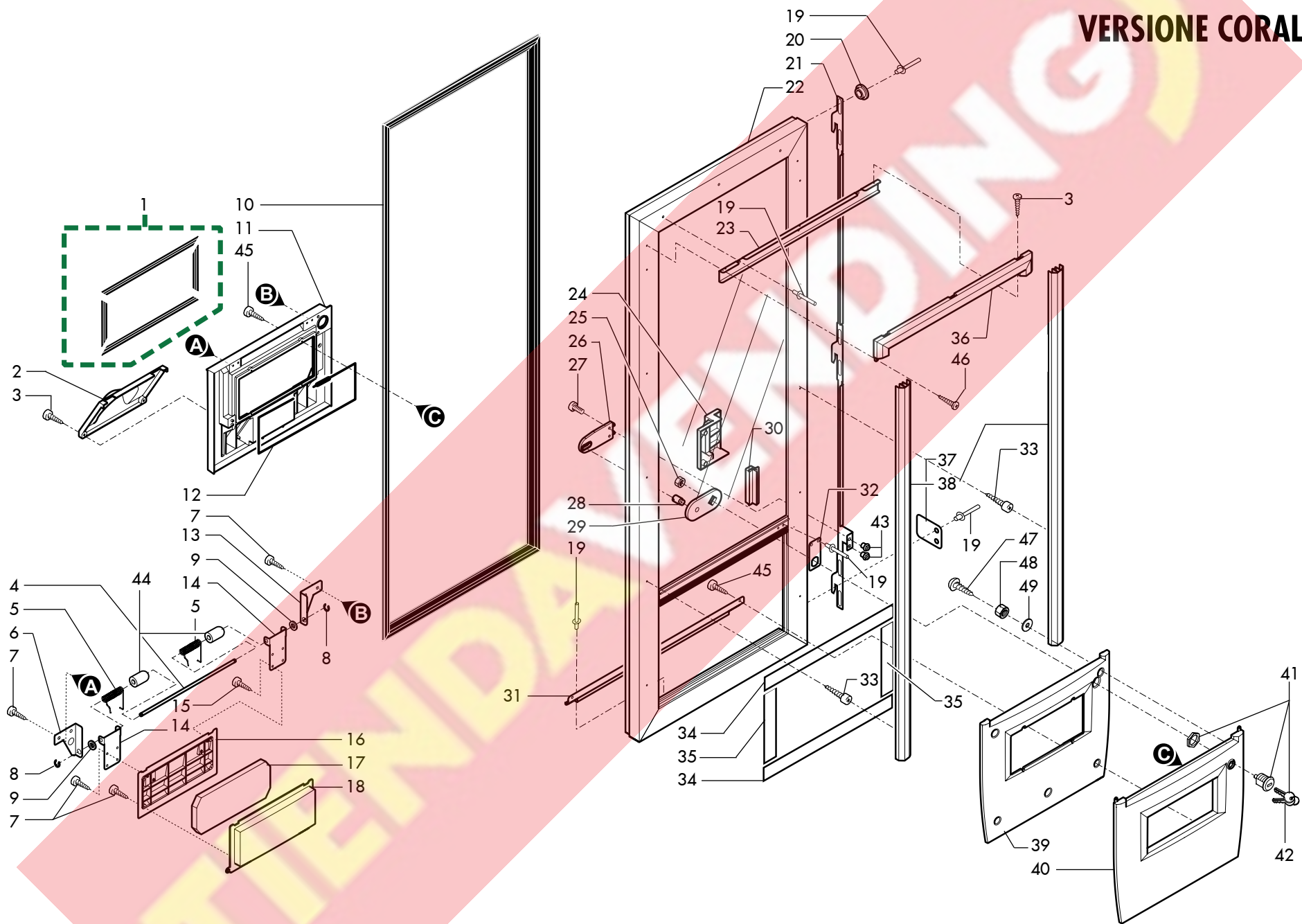


# E19028

Pos	Article-Nr.	Description	Pos	Article-Nr.	Description
1	20006881	SPACE PARTS SEAL PUSH ALISEO	52	U302.004	nut HEXAGONAL M6 UNI 5588
2	11012353	COPERTURA X MOTORE SPORT.PUSH NEW SNACK	53	U208.006	TOOTHED WASHER 6,4X11 UNI 3703
3	U109.003	SCREW TCB 3,5X9,5 DIN 7981 C NICK			
4	11010462	PERNO CERNIERA SPORT.PUSH NEW SNACK 8S			
5	0875.312	SPRING X PRODUCTS COLLECTION SPACE			
6	11010461	LAMIERA FISSAGGIO CERNIERA TRAVERSINO SX			
7	U109.016	screw AUT.TCB 3,9X13 DIN 7981 C			
8	U701.011	STEEL SNAP RING 5 UNI 7434			
9	11010976	BUSH FOR PUSH DOOR NEW SNACK			
10	11010448	GUARNIZIONE MAGNET. X PORTA NEW SNACK 8S			
11	11010721	CONTROPORTA NEW SNACK 8S			
12	11013683	RESISTENZA ZONA PUSH NEW SNACK			
13	11010460	FIXING SHEET METAL HINGE CROSSPIECE RX			
14	11010439	LAMIERA CERNIERA SPORT.PUSH NEW SNACK			
15	U110.003	screw AUT.TCB 3,5X9,5 DIN 7981 F			
16	11010436	INSIDE PUSH DOOR NEW SNACK 8S			
17	11010437	ISOLANTE X SPORTELLO PUSH NEW SNACK 8S			
18	11010435	SPORTELLO PUSH ESTERNO NEW SNACK 8S			
19	12000962	MULTIGRIP RIVETS 4.8x11			
20	11010977	SPACE LOCK LEVER NEW SNACK			
21	11010465	ASTA SERRATURA NEW SNACK			
22	20006879	SPACE PARTS ALISEO DOOR			
23	11010978	SUPP.EXTERNAL UPPER PANEL NEW SNACK 8S			
24	11010720	COPERTURA SERRATURA NEW SNAK			
25	U324.004	NUT M6 FLANGED INDENTED BASE			
26	11010466	ASTA RIMANDO SERRATURA NEW SNACK			
27	U043.006	screw TCBC M4,0X14 UNI 7687 GALV.			
28	11011236	PIN FOR LOCK PLATE NEW SNACK			
29	11010464	PIASTRINA X SERRATURA NEW SNACK			
30	11013540	PLUG			
31	11010453	SUPPORTO TERMINALE ESTETICO INFERIORE 8S			
32	11009127	PLATE FIXING			
33	11010463	SUPPORT FOR LOCK DOOR NEW SNACK			
34	U143.021	screw SPECIAL 4,8X9,5 SELF TAP.			
35	11013660	SUPPORTO SERRATURA NEW SNACK			
36	11013659	ISOLANTE ORIZZONTALE PANNELLO PORTA 8SP			
37	11012520	PANN.ESTETICO SUP.PORTA NEW SNACK 8S SIL			
38	11013818	LED DIFFUSER			
39	11008639	LOGO SAECO GLASS SG650			
40	11022779	PLATE FOR MICRO DOOR NEW SNACK BLK			
41	11008622	SIDE STRIP AESTHETIC SILVER			
42	11010434	INSULATOR FOR LOWER AESTHETIC PANEL 8S			
43	11010454	PANNELLO ESTET.INFER.PORTA NEW SNACK 8S			
44	11008689	PROFILO ESTETICO INFERIORE SILVER			
45	11012142	LOCK RIELDA MOD.512			
46	NV02.242	PROGRAMMING KEY RIELDA AJ306A			
47	NF11.061	RIVSERT RIVET -FRE M4/020			
48	NV01.008	HOOD FOR DISPEN.COMPARTMENT SPRING			
49	U116.006	screw AUT.PT TCB 3,5X12 WN 1441			
50	U110.004	screw AUT.TCB 3,5X6,5 DIN 7981 F			
51	129670202	TCB PANELVIT SCREW 3,5X16 TESTA D=8 ZNP			

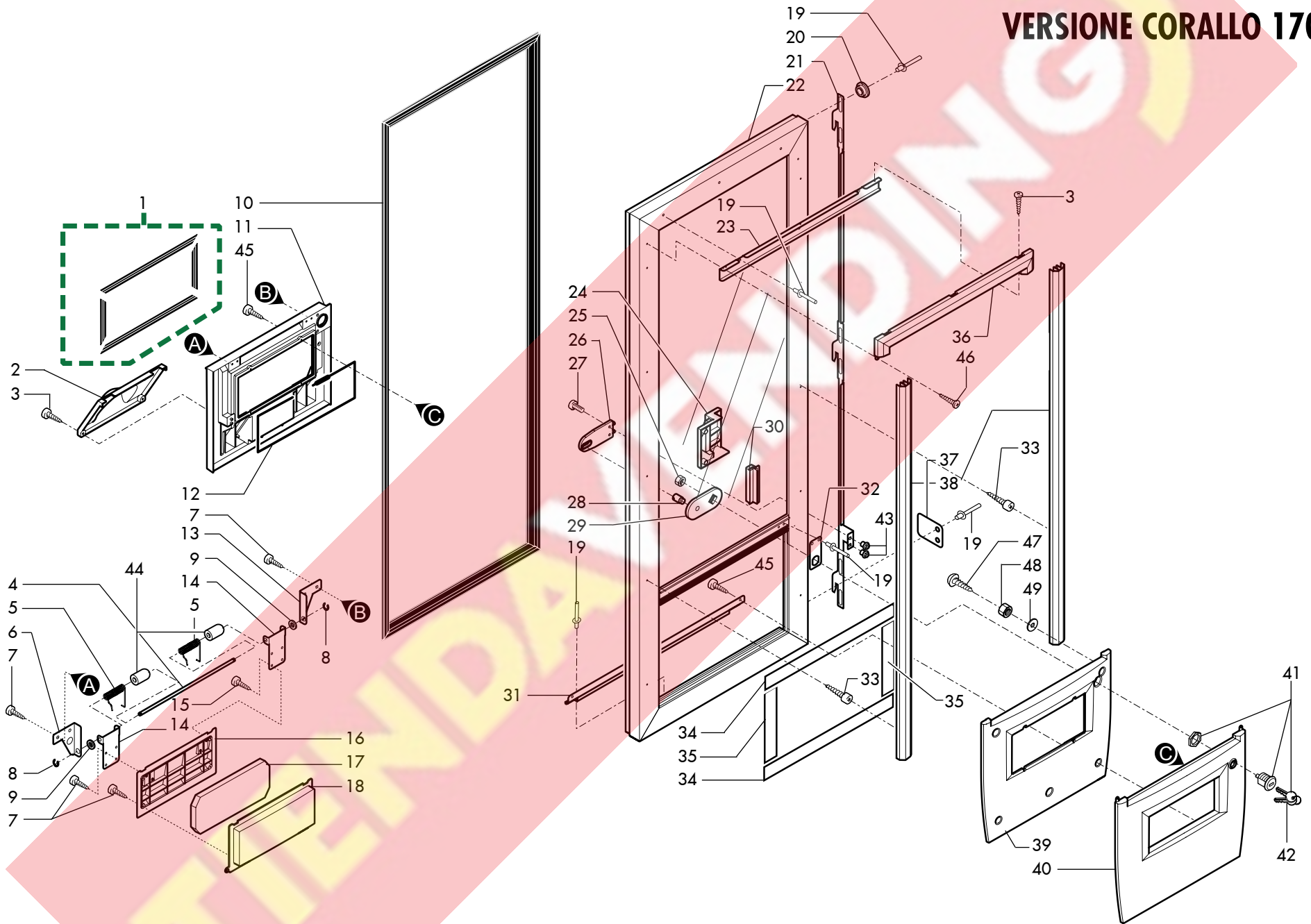


# E19028

Pos	Article-Nr.	Description	Pos	Article-Nr.	Description
1	20006880	SPACE PARTS SEAL PUSH CORALLO	47	129670202	TCB PANELVIT SCREW 3,5X16 TESTA D=8 ZNP
2	11012353	COPERTURA X MOTORE SPORT.PUSH NEW SNACK	48	U302.004	nut HEXAGONAL M6 UNI 5588
3	U109.003	SCREW TCB 3,5X9,5 DIN 7981 C NICK	49	U208.006	TOOTHED WASHER 6,4X11 UNI 3703
4	11011069	PERNO CERNIERA SPORT.PUSH NEW SNACK 6S			
5	0875.312	SPRING X PRODUCTS COLLECTION SPACE			
6	11010461	LAMIERA FISSAGGIO CERNIERA TRAVERSINO SX			
7	U109.016	screw AUT.TCB 3,9X13 DIN 7981 C			
8	U701.011	STEEL SNAP RING 5 UNI 7434			
9	11010976	BUSH FOR PUSH DOOR NEW SNACK			
10	11011039	GUARNIZIONE MAGNET. X PORTA NEW SNACK 6S			
11	11011064	CONTROPORTA NEW SNACK 6S			
12	11013683	RESISTENZA ZONA PUSH NEW SNACK			
13	11010460	FIXING SHEET METAL HINGE CROSSPIECE RX			
14	11010439	LAMIERA CERNIERA SPORT.PUSH NEW SNACK			
15	U110.003	screw AUT.TCB 3,5X9,5 DIN 7981 F			
16	11011066	SPORTELLO PUSH INTERNO NEW SNACK 6S			
17	11011067	ISOLANTE X SPORTELLO PUSH NEW SNACK 6S			
18	11011065	EXTERNAL PUSH DOOR NEW SNACK 6S			
18	11022333	EXTERNAL PUSH DOOR NEW SNACK 6S BLK			
19	12000962	MULTIGRIP RIVETS 4.8x11			
20	11010977	SPACE LOCK LEVER NEW SNACK			
21	11010465	ASTA SERRATURA NEW SNACK			
22	11010440	LOOM DOOR ASS. NEW SNACK 6SP BEI			
22	20006878	SPACE PARTS CORALLO DOOR			
23	11011071	SUPP.EXTERNAL UPPER PANEL NEW SNACK 6S			
24	11010720	COPERTURA SERRATURA NEW SNAK			
25	U324.004	NUT M6 FLANGED INDENTED BASE			
26	11010466	ASTA RIMANDO SERRATURA NEW SNACK			
27	U043.006	screw TCBC M4,0X14 UNI 7687 GALV.			
28	11011236	PIN FOR LOCK PLATE NEW SNACK			
29	11010464	PIASTRINA X SERRATURA NEW SNACK			
30	11013540	PLUG			
31	11011061	SUPPORT AESTHETIC TERMINAL LOWER 6S			
32	11010463	SUPPORT FOR LOCK DOOR NEW SNACK			
33	U143.021	screw SPECIAL 4,8X9,5 SELF TAP.			
34	11013656	ISOLANTE ORIZZONTALE PANNELLO PORTA 6SP			
35	11013658	ISOLANTE VERTICALE PANNELLO PORTA 6SP			
36	11022346	UPPER PANEL AESTHETIC DOOR NEW SNACK 6S			
36	11012526	UPPER PANEL AESTHETIC DOOR NEW SNACK 6S			
37	11022779	PLATE FOR MICRO DOOR NEW SNACK BLK			
38	11022344	STRIP AESTHETIC FOR DOOR BASIC RANGE BLK			
38	11012524	STRIP AESTHETIC FOR DOOR BASIC RANGE RED			
39	11011063	INSULATOR FOR LOWER AESTHETIC PANEL 6S			
40	11012525	LOWER PANEL AESTHETIC DOOR NEW SNACK 6S			
40	11022345	LOWER PANEL AESTHETIC DOOR NEW SNACK 6S			
41	11012142	LOCK RIELDA MOD.512			
42	NV02.242	PROGRAMMING KEY RIELDA AJ306A			
43	NF11.061	RIVSERT RIVET -FRE M4/020			
44	NV01.008	HOOD FOR DISPEN.COMPARTMENT SPRING			
45	U116.006	screw AUT.PT TCB 3,5X12 WN 1441			
46	U110.004	screw AUT.TCB 3,5X6,5 DIN 7981 F			



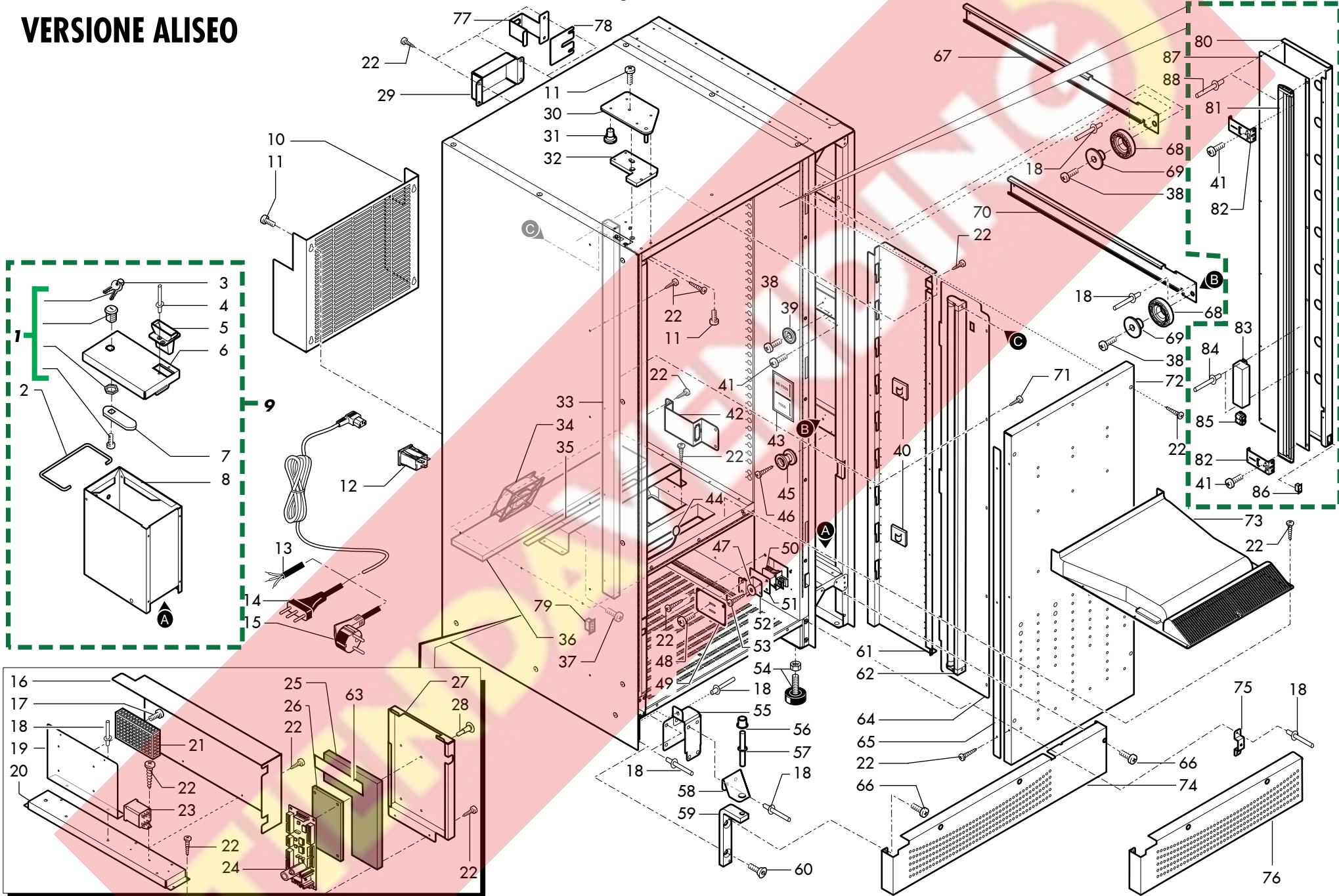
# VERSIONE CORALLO 1700



# E19028

Pos	Article-Nr.	Description	Pos	Article-Nr.	Description
1	20006881	SPACE PARTS SEAL PUSH ALISEO			
2	11012353	COPERTURA X MOTORE SPORT.PUSH NEW SNACK			
3	U109.003	SCREW TCB 3,5X9,5 DIN 7981 C NICK			
4	11011069	PERNO CERNIERA SPORT.PUSH NEW SNACK 6S			
5	0875.312	SPRING X PRODUCTS COLLECTION SPACE			
6	11010461	LAMIERA FISSAGGIO CERNIERA TRAVERSINO SX			
7	U109.016	screw AUT.TCB 3,9X13 DIN 7981 C			
8	U701.011	STEEL SNAP RING 5 UNI 7434			
9	11010976	BUSH FOR PUSH DOOR NEW SNACK			
10	11023853	MAGNETIC SEAL FOR DOOR CORALLO H1700			
11	11011064	CONTROPORTA NEW SNACK 6S			
12	11013683	RESISTENZA ZONA PUSH NEW SNACK			
13	11010460	FIXING SHEET METAL HINGE CROSSPIECE RX			
14	11010439	LAMIERA CERNIERA SPORT.PUSH NEW SNACK			
15	U110.003	screw AUT.TCB 3,5X9,5 DIN 7981 F			
16	11011066	SPORTELO PUSH INTERNO NEW SNACK 6S			
17	11011067	ISOLANTE X SPORTELO PUSH NEW SNACK 6S			
18	11022333	EXTERNAL PUSH DOOR NEW SNACK 6S BLK			
19	12000962	MULTIGRIP RIVETS 4.8x11			
20	11010977	SPACE LOCK LEVER NEW SNACK			
21	11023856	ROD FOR LOCK DOOR CORALLO H1700			
22	20006947	SPACE PARTS CORALLO DOOR H1700			
23	11011071	SUPP.EXTERNAL UPPER PANEL NEW SNACK 6S			
24	11010720	COPERTURA SERRATURA NEW SNAK			
25	U324.004	NUT M6 FLANGED INDENTED BASE			
26	11010466	ASTA RIMANDO SERRATURA NEW SNACK			
27	U043.006	screw TCBC M4,0X14 UNI 7687 GALV.			
28	11011236	PIN FOR LOCK PLATE NEW SNACK			
29	11010464	PIASTRINA X SERRATURA NEW SNACK			
30	11013540	PLUG			
31	11011061	SUPPORT AESTHETIC TERMINAL LOWER 6S			
32	11010463	SUPPORT FOR LOCK DOOR NEW SNACK			
33	U143.021	screw SPECIAL 4,8X9,5 SELF TAP.			
34	11013656	ISOLANTE ORIZZONTALE PANNELLO PORTA 6SP			
35	11013658	ISOLANTE VERTICALE PANNELLO PORTA 6SP			
36	11022346	UPPER PANEL AESTHETIC DOOR NEW SNACK 6S			
37	11022779	PLATE FOR MICRO DOOR NEW SNACK BLK			
38	11023854	STRIP AESTHETIC FOR DOOR CORALLO H1700			
39	11011063	INSULATOR FOR LOWER AESTHETIC PANEL 6S			
40	11022345	LOWER PANEL AESTHETIC DOOR NEW SNACK 6S			
41	11012142	LOCK RIELDA MOD.512			
42	NV02.242	PROGRAMMING KEY RIELDA AJ306A			
43	NF11.061	RIVSERT RIVET -FRE M4/020			
44	NV01.008	HOOD FOR DISPEN.COMPARTMENT SPRING			
45	U116.006	screw AUT.PT TCB 3,5X12 WN 1441			
46	U110.004	screw AUT.TCB 3,5X6,5 DIN 7981 F			
47	129670202	TCB PANELVIT SCREW 3,5X16 TESTA D=8 ZNP			
48	U302.004	nut HEXAGONAL M6 UNI 5588			
49	U208.006	TOOTHED WASHER 6,4X11 UNI 3703			

# VERSIONE ALISEO



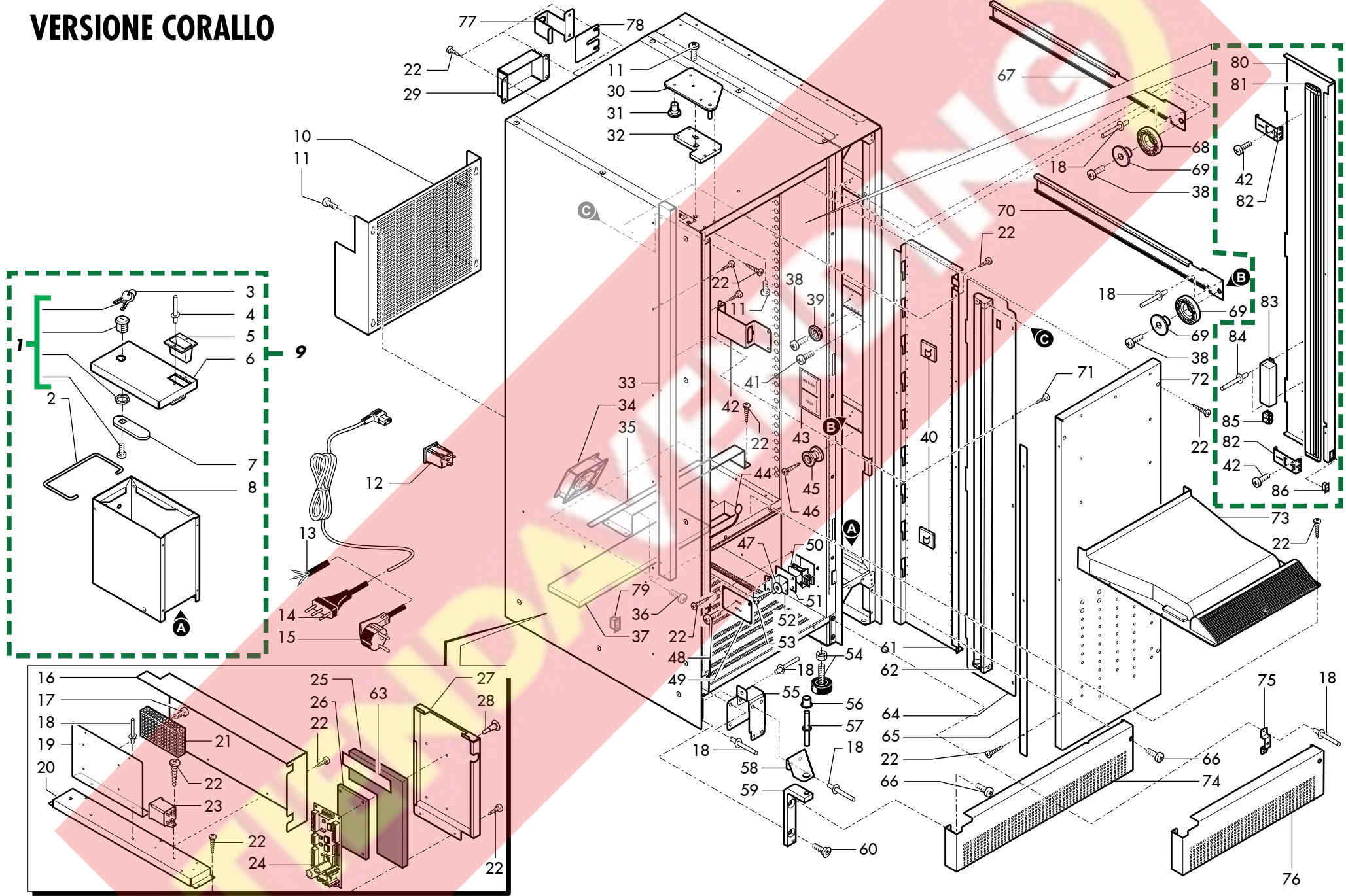


# E19028

Pos	Article-Nr.	Description	Pos	Article-Nr.	Description
1	NV02.095	DOOR LOCK VIRO	52	11010987	SUPPORT FOR DOOR MICRO NEW SNACK
2	11013582	HANDLE FOR COIN CASE NEW SNACK	53	U109.037	screw AUT.TCB 4,8X13 DIN 7981 C
3	0701.R29	KEY KA 35	54	NV01.002	FOOT D.34 H.35 WITH nut M10
4	NF11.026	EXPANSION RIVET D.3,9X8 ALU.	54	NV01.004	FOOT D34 H54 WITH nut M10 RBS-19BK-ACRY
5	11011665	COIN BOX HOPPER	55	11022292	SUPPORT LOWER HINGE NEW SNACK BLK
6	11013580	COPERCHIO CASSA MONETE NEW SNACK 8S	56	11011710	BUSH
7	9111.391	LEVER FOR LOCK	57	11008667	PERNO X BLOCCHETTO CERNIERA
8	11013558	ASS.CASSA MONETE NEW SNACK	58	11010968	RINFORZO CERNIERA INFERIORE NEW SNACK
9	11013579	ASS.CASSA MONETE NEW SNACK 8S	59	11010966	CERNIERA INFERIORE NEW SNACK
10	11010995	GRIGLIA CONDENSATORE NEW SNACK	60	12001344	SCREW TSEI M8x30 UNI 5933 ZNP
11	WGADI7986- 6X12I	SS M 6X12 SCREW (DIN7985/UNI7687)	61	11025495	LEFT GUIDE PANEL NEW SNACK SHORT
12	187850400	TRIPOLE SOCKET SELF-LOCKING	62	12001210	LAMPADA NEON MINISTYLO MSTY128 T5 840
13	NE01.054	CABLE WITH PLUG EN60320 C13	63	11013610	INSULATOR FOR NEON NEW SNACK
14	NE01.051	CABLE Switzerland WITH PLUG EN603	64	11010990	NEON COVER NEW SNACK
15	NE01.050	CABLE SCHUKO WITH PLUG EN60320 C1	65	11010994	STOP FOR BOX NEW SNACK
16	11010989	CARD COVER NEW SNACK BLACK	66	U043.015	screw TCBC M5,0X12 UNI 7687 GALV.
17	U127.001	screw TAPT.TCB M3,0X6 DIN 7500C	67	11011711	GUIDA SUPERIORE X SLOT NEW SNACK
18	12000962	MULTIGRIP RIVETS 4.8x11	68	11011687	RUOTA ESTERNA X GUIDA SLOT
19	11010992	TRASFORMER SUPPORT NEW SNACK	69	11011688	INTERNAL BUSH
20	11010991	CARD SUPPORT NEW SNACK	70	11012324	LOWER GUIDE FOR SLOT NEW SNACK
21	12001211	ALIMENTATORE SWITCHING X NEW SNACK	71	U143.022	screw T.M.T. K.F.R. 3,5X9,5 ZNP
22	U109.003	SCREW TCB 3,5X9,5 DIN 7981 C NICK	72	11010797	CANALE ARIA POSTERIORE NEW SNACK 8S
23	NE13.080	POWER RELAY	73	11010505	CONVOGLIATORE ARIA INFERIORE
24	11011777	AS.PWR+SW SNACK MY08	74	11010997	FASCIA BATTISCOPA NEW SNACK NERA 8S
25	11013666	ISOLANTE CARTER ELETTRONICA NEW SNACK	75	11024567	SHEET PLATE SKIRTING BAND ALI/COR SLAVE
26	11013611	ISOLANTE X ELETTRONICA NEW SNACK	76	11024539	SKIRTING BAND ALISEO SLAVE BLK
27	11010993	ELECTRONIC CARD VAIN NEW SNACK BLACK	77	11025117	
28	NL04.014	SPACER CARD H=9,5	78	11024531	BACK PLATE CLOSED MASTER/SLAVE BLK
29	11012342	HARNESS COVER BACK/SLOT	79	NE13.030	MOLVENO BIPOLAR SOCKET 08167600W
30	11011052	ASS.CERNIERA SUPERIORE SALDATA NEW SNACK	80	11024206	SUPPORT LED BAR
31	11010972	PERNO PER SCORRIMENTO CERNIERA SUP.	80	11025651	RIGHT INTERNAL SIDE NEW SNACK BLACK
32	11011030	RINFORZO CERNIERA SUPERIORE NEW SNACK	81	11024093	LED VALUE PLUS LCM310 1200MM BARREL
33	11010988	SUPPORT VAIN NEON NEW SNACK BLACK	81	11025650	LED VALUE PLUS LCM310 1200MM BARREL
34	11010596	VENTOLA X NEW SNACK	82	12001532	KIT FIXING LED LCM310 MOUNTING SET SHELF
35	11010755	SUPPORT FAN	83	12001531	POWER SUPPLY BARREL DVR20E
36	11013680	SEPARATOR PLATE INSULATOR 8SP	84	NF11.022	EXPANSION RIVET D=2,8X8 ALU. BLACK
37	U127.011	screw TAPT.TCB M5,0X8 DIN 7500C	85	12000372	CLAMP 10 POLE ELECO
38	U023.020	SCREW TCEI M6X20 UNI 5931 ZIN	86	NE03.038	BIPOLAR SWITCH FUSIT C1250AR
39	1602.147	BUSH FOR DOOR CONNECTING ROD	87	11025644	SHEET METAL ALISEO
40	NE17.002	ADH.CABLE RETAI.ROUND CABLE D=10MM	88	NF11.015	EXPANSION RIVET D=2,8X85 ALU.
41	U043.006	screw TCBC M4,0X14 UNI 7687 GALV.			
42	11010481	CONNECTOR SUPPORT DRAWER NEW SNACK			
43	15001931	ADHESIVE LABEL			
44	0875.645	AIR TEMPERATURE PROBE			
45	11022104	BUSH FOR SLOT NEW SNACK			
46	U110.007	SCREW AUT.TCB 2,9X16 DIN 7981 F ZNP			
47	128310404	WASHER UNI 8842 A4 BURNISHED			
48	129824002	TCB SCREW M4X10 UNI 7687 ZNP			
49	11010986	CARTER FOR MICRO NEW SNACK BLACK			
50	NE05.039	BIPOLAR MICROSWITCH			
51	1602.170	SPACER FOR DOOR MICRO			



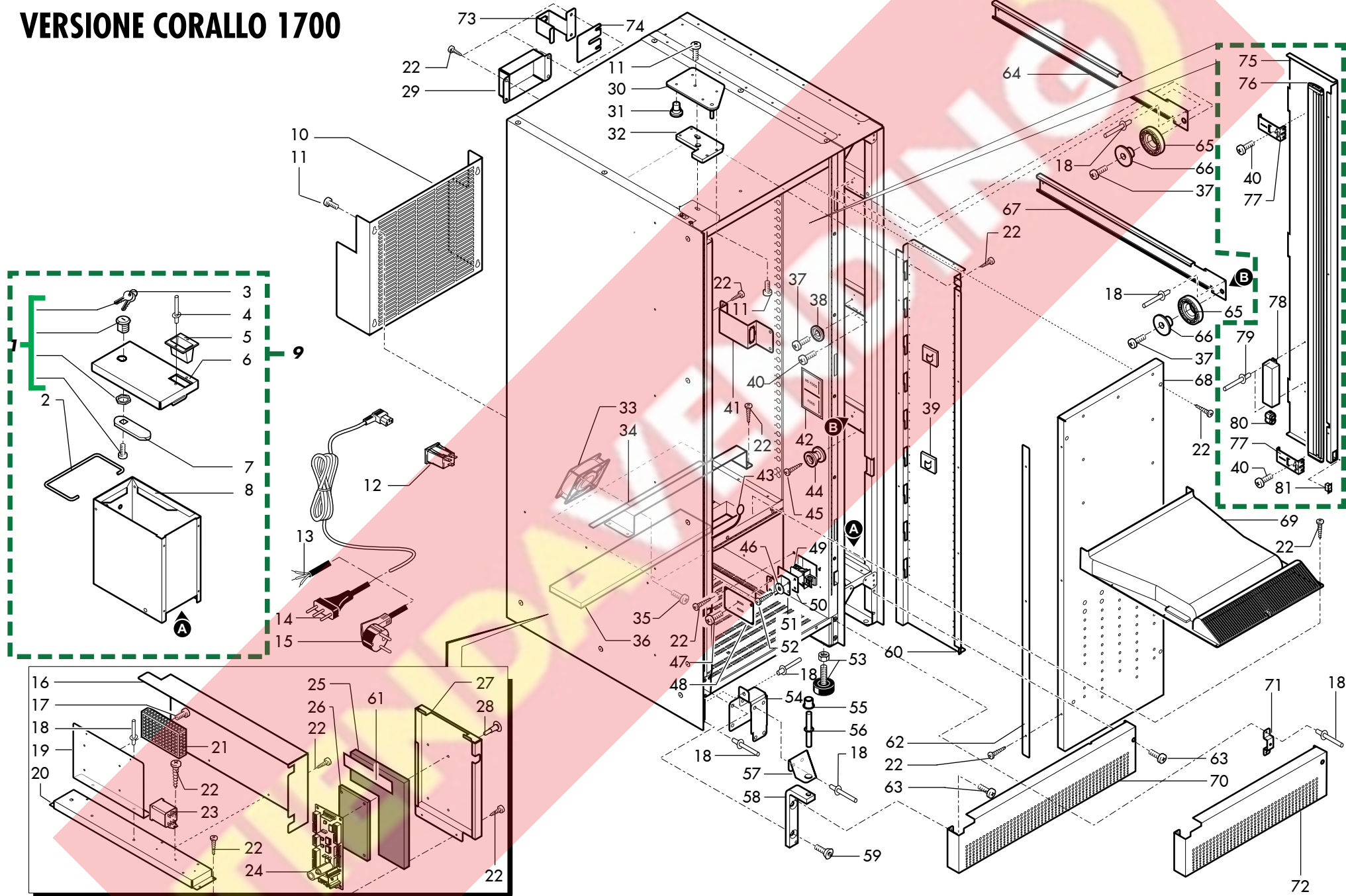
# VERSIONE CORALLO



# E19028

Pos	Article-Nr.	Description	Pos	Article-Nr.	Description
1	NV02.095	DOOR LOCK VIRO	52	11010987	SUPPORT FOR DOOR MICRO NEW SNACK
2	11013582	HANDLE FOR COIN CASE NEW SNACK	53	U109.037	screw AUT.TCB 4,8X13 DIN 7981 C
3	0701.R29	KEY KA 35	54	NV01.002	FOOT D.34 H.35 WITH nut M10
4	NF11.026	EXPANSION RIVET D.3,9X8 ALU.	54	NV01.004	FOOT D34 H54 WITH nut M10 RBS-19BK-ACRY
5	9111.174.050	COIN HOPPER	55	11022292	SUPPORT LOWER HINGE NEW SNACK BLK
6	11013556	COVER COIN BOX NEW SNACK 6S	56	11011710	BUSH
7	9111.391	LEVER FOR LOCK	57	11008667	PERNO X BLOCCHETTO CERNIERA
8	11013558	ASS.CASSA MONETE NEW SNACK	58	11010968	RINFORZO CERNIERA INFERIORE NEW SNACK
9	11013557	ASS.CASSA MONETE NEW SNACK 6S	59	11010966	CERNIERA INFERIORE NEW SNACK
10	11010995	GRIGLIA CONDENSATORE NEW SNACK	60	12001344	SCREW TSEI M8x30 UNI 5933 ZNP
11	WGADI7986- 6X12I	SS M 6X12 SCREW (DIN7985/UNI7687)	61	11025495	LEFT GUIDE PANEL NEW SNACK SHORT
12	187850400	TRIPOLE SOCKET SELF-LOCKING	62	12001210	LAMPADA NEON MINISTYLO MSTY128 T5 840
13	NE01.054	CABLE WITH PLUG EN60320 C13	63	11013610	INSULATOR FOR NEON NEW SNACK
14	NE01.051	CABLE Switzerland WITH PLUG EN603	64	11010990	NEON COVER NEW SNACK
15	NE01.050	CABLE SCHUKO WITH PLUG EN60320 C1	65	11010994	STOP FOR BOX NEW SNACK
16	11010989	CARD COVER NEW SNACK BLACK	66	U043.015	screw TCBC M5,0X12 UNI 7687 GALV.
17	U127.001	screw TAPT.TCB M3,0X6 DIN 7500C	67	11011711	GUIDA SUPERIORE X SLOT NEW SNACK
18	12000962	MULTIGRIP RIVETS 4.8x11	68	11011687	RUOTA ESTERNA X GUIDA SLOT
19	11010992	TRASFORMER SUPPORT NEW SNACK	69	11011688	INTERNAL BUSH
20	11010991	CARD SUPPORT NEW SNACK	70	11012324	LOWER GUIDE FOR SLOT NEW SNACK
21	12001211	ALIMENTATORE SWITCHING X NEW SNACK	71	U143.022	screw T.M.T. K.F.R. 3,5X9,5 ZNP
22	U109.003	SCREW TCB 3,5X9,5 DIN 7981 C NICK	72	11011097	BACK CHANNEL AIR NEW SNACK 6S
23	NE13.080	POWER RELAY	73	11010505	CONVOGLIATORE ARIA INFERIORE
24	11011777	AS.PWR+SW SNACK MY08	74	11011104	SKIRTING BAND NEW SNACK BEI 6S
25	11013666	ISOLANTE CARTER ELETTRONICA NEW SNACK	74	11022337	ASS.CASSA MONETE NEW SNACK 6S
26	11013611	ISOLANTE X ELETTRONICA NEW SNACK	75	11024567	SHEET PLATE SKIRTING BAND ALI/COR SLAVE
27	11010993	ELECTRONIC CARD VAIN NEW SNACK BLACK	76	11024563	SKIRTING BAND CORALLO SLAVE BLK
28	NL04.014	SPACER CARD H=9,5	77	11025117	
29	11012342	HARNESS COVER BACK/SLOT	78	11024531	BACK PLATE CLOSED MASTER/SLAVE BLK
30	11011052	ASS.CERNIERA SUPERIORE SALDATA NEW SNACK	79	NE13.030	MOLVENO BIPOLAR SOCKET 08167600W
31	11010972	PERNO PER SCORRIMENTO CERNIERA SUP.	80	11024206	SUPPORT LED BAR
32	11011030	RINFORZO CERNIERA SUPERIORE NEW SNACK	81	11024093	LED VALUE PLUS LCM310 1200MM BARREL
33	11010988	SUPPORT VAIN NEON NEW SNACK BLACK	82	12001532	KIT FIXING LED LCM310 MOUNTING SET SHELF
34	11010596	VENTOLA X NEW SNACK	83	12001531	POWER SUPPLY BARREL DVR20E
35	11010755	SUPPORT FAN	84	NF11.022	EXPANSION RIVET D=2,8X8 ALU. BLACK
36	U127.011	screw TAPT.TCB M5,0X8 DIN 7500C	85	12000372	CLAMP 10 POLE ELECO
37	11013681	SEPARATOR PLATE INSULATOR 6SP	86	NE03.038	BIPOLAR SWITCH FUSIT C1250AR
38	U023.020	SCREW TCEI M6X20 UNI 5931 ZIN			
39	1602.147	BUSH FOR DOOR CONNECTING ROD			
40	NE17.002	ADH.CABLE RETAI.ROUND CABLE D=10MM			
41	U043.006	screw TCBC M4,0X14 UNI 7687 GALV.			
42	11010481	CONNECTOR SUPPORT DRAWER NEW SNACK			
43	15001931	ADHESIVE LABEL			
44	0875.645	AIR TEMPERATURE PROBE			
45	11022104	BUSH FOR SLOT NEW SNACK			
46	U110.007	SCREW AUT.TCB 2,9X16 DIN 7981 F ZNP			
47	128310404	WASHER UNI 8842 A4 BURNISHED			
48	129824002	TCB SCREW M4X10 UNI 7687 ZNP			
49	11010986	CARTER FOR MICRO NEW SNACK BLACK			
50	NE05.039	BIPOLAR MICROSWITCH			
51	1602.170	SPACER FOR DOOR MICRO			

# VERSIONE CORALLO 1700

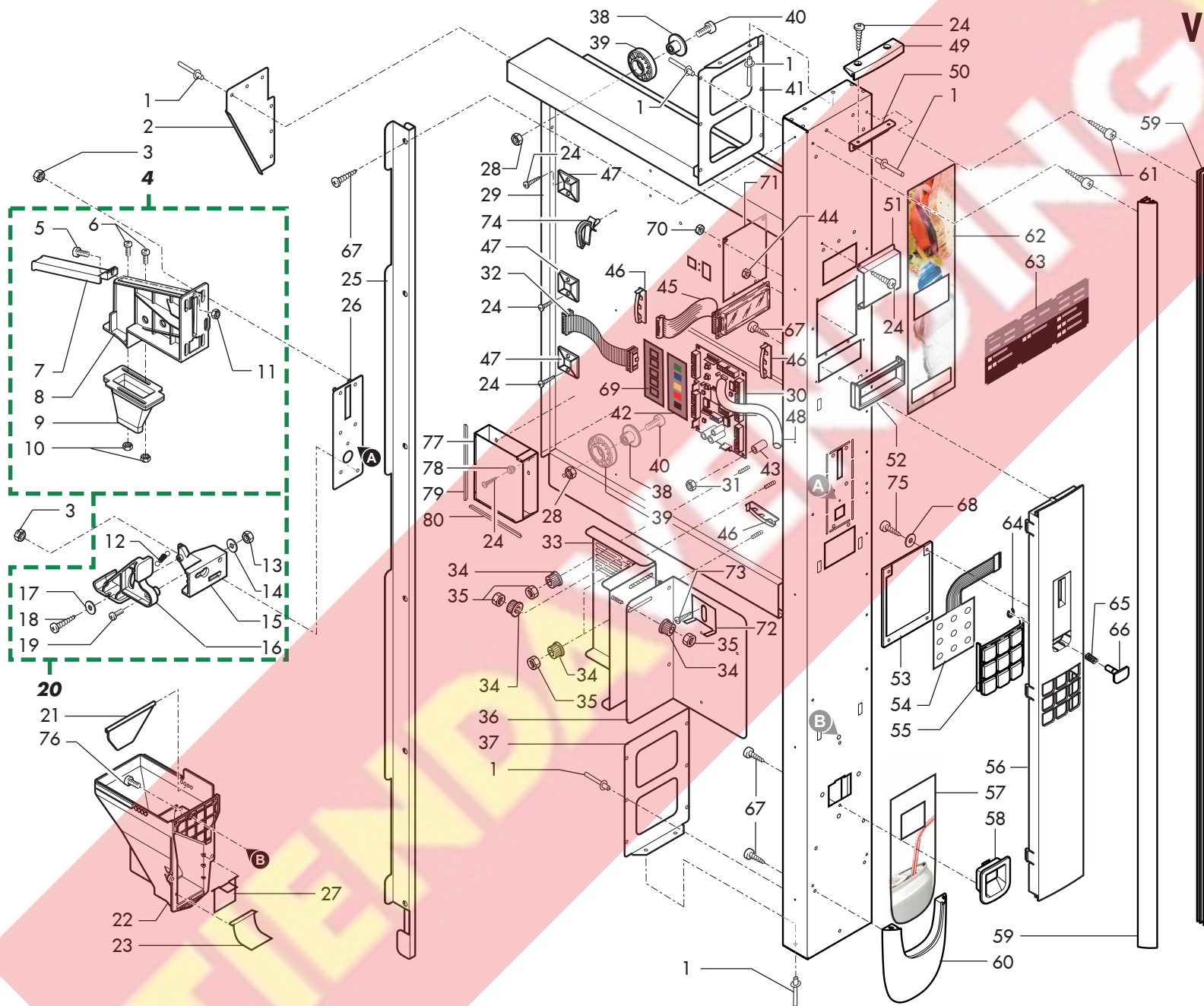




# E19028

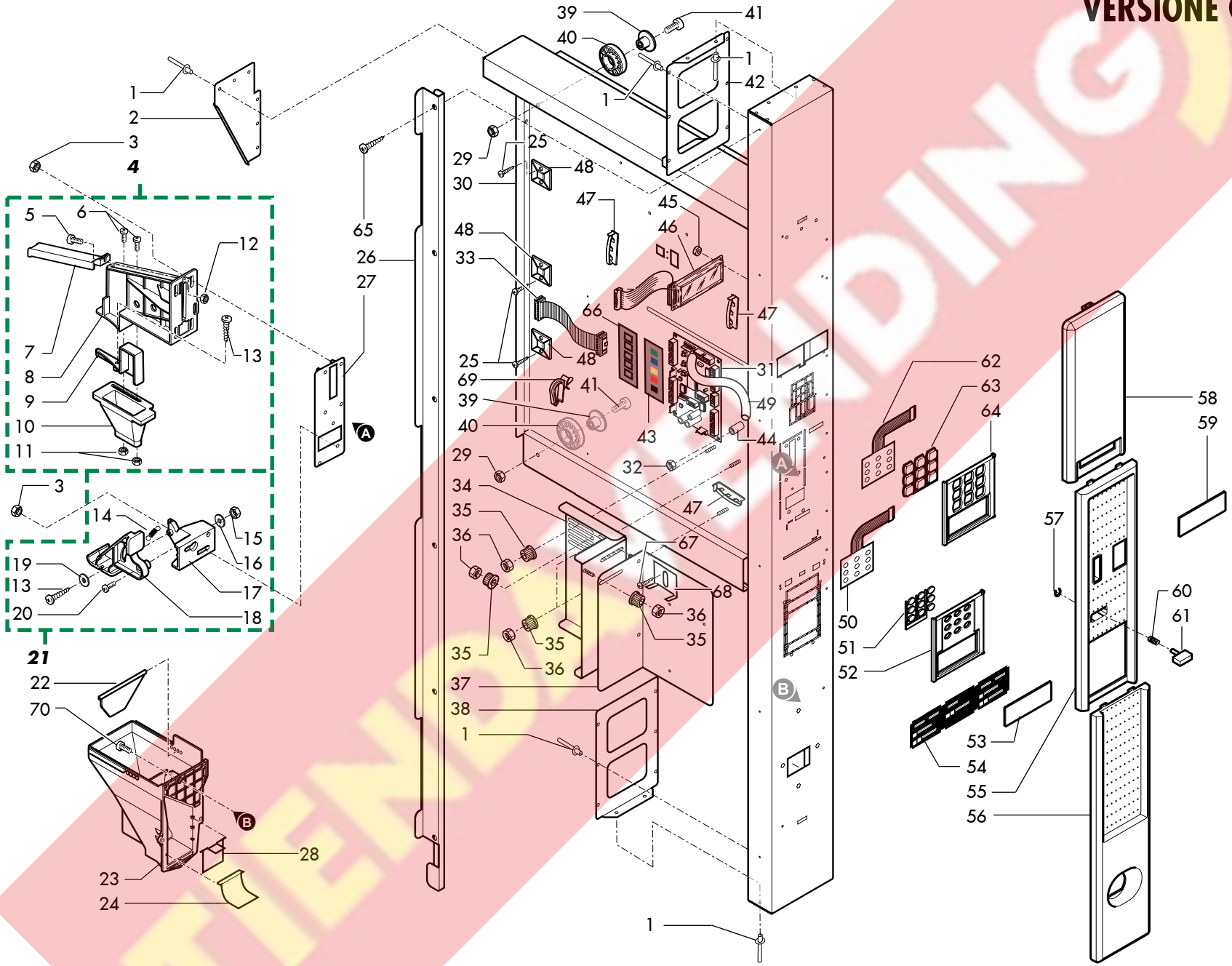
Pos	Article-Nr.	Description	Pos	Article-Nr.	Description
1	NV02.095	DOOR LOCK VIRO	52	U109.037	screw AUT.TCB 4,8X13 DIN 7981 C
2	11013582	HANDLE FOR COIN CASE NEW SNACK	53	NV01.002	FOOT D.34 H.35 WITH nut M10
3	0701.R29	KEY KA 35	53	NV01.004	FOOT D34 H54 WITH nut M10 RBS-19BK-ACRY
4	NF11.026	EXPANSION RIVET D.3,9X8 ALU.	54	11022292	SUPPORT LOWER HINGE NEW SNACK BLK
5	9111.174.050	COIN HOPPER	55	11011710	BUSH
6	11013556	COVER COIN BOX NEW SNACK 6S	56	11008667	PERNO X BLOCCHETTO CERNIERA
7	9111.391	LEVER FOR LOCK	57	11010968	RINFORZO CERNIERA INFERIORE NEW SNACK
8	11013558	ASS.CASSA MONETE NEW SNACK	58	11010966	CERNIERA INFERIORE NEW SNACK
9	11013557	ASS.CASSA MONETE NEW SNACK 6S	59	12001344	SCREW TSEI M8x30 UNI 5933 ZNP
10	11010995	GRIGLIA CONDENSATORE NEW SNACK	60	11023786	LEFT GUIDE PANEL NEW SNACK BLACK
11	WGADI7986- 6X12I	SS M 6X12 SCREW (DIN7985/UNI7687)	61	11013610	INSULATOR FOR NEON NEW SNACK
12	187850400	TRIPOLE SOCKET SELF-LOCKING	62	11023840	STOP FOR BOX CORALLO 6S H1700
13	NE01.054	CABLE WITH PLUG EN60320 C13	63	U043.015	screw TCBC M5,0X12 UNI 7687 GALV.
14	NE01.051	CABLE Switzerland WITH PLUG EN603	64	11011711	GUIDA SUPERIORE X SLOT NEW SNACK
15	NE01.050	CABLE SCHUKO WITH PLUG EN60320 C1	65	11011687	RUOTA ESTERNA X GUIDA SLOT
16	11010989	CARD COVER NEW SNACK BLACK	66	11011688	INTERNAL BUSH
17	U127.001	screw TAPT.TCB M3,0X6 DIN 7500C	67	11012324	LOWER GUIDE FOR SLOT NEW SNACK
18	12000962	MULTIGRIP RIVETS 4.8x11	68	11023788	BACK CHANNEL AIR CORALLO 6S H1700
19	11010992	TRASFORMER SUPPORT NEW SNACK	69	11010505	CONVOGLIATORE ARIA INFERIORE
20	11010991	CARD SUPPORT NEW SNACK	70	11022337	ASS.CASSA MONETE NEW SNACK 6S
21	12001211	ALIMENTATORE SWITCHING X NEW SNACK	71	11024567	SHEET PLATE SKIRTING BAND ALI/COR SLAVE
22	U109.003	SCREW TCB 3,5X9,5 DIN 7981 C NICK	72	11024563	SKIRTING BAND CORALLO SLAVE BLK
23	NE13.080	POWER RELAY	73	11025117	
24	11011777	AS.PWR+SW SNACK MY08	74	11024531	BACK PLATE CLOSED MASTER/SLAVE BLK
25	11013666	ISOLANTE CARTER ELETTRONICA NEW SNACK	75	11024266	SUPPORT LED BAR H1700
26	11013611	ISOLANTE X ELETTRONICA NEW SNACK	76	11026766	LED VALUE PLUS LCM310 900MM BARREL CW
27	11010993	ELECTRONIC CARD VAIN NEW SNACK BLACK	76	11024095	LED VALUE PLUS LCM310 900MM BARREL
28	NL04.014	SPACER CARD H=9,5	77	12001532	KIT FIXING LED LCM310 MOUNTING SET SHELF
29	11012342	HARNESS COVER BACK/SLOT	78	12001531	POWER SUPPLY BARREL DVR20E
30	11011052	ASS.CERNIERA SUPERIORE SALDATA NEW SNACK	79	NF11.022	EXPANSION RIVET D=2,8X8 ALU. BLACK
31	11010972	PERNO PER SCORRIMENTO CERNIERA SUP.	80	12000372	CLAMP 10 POLE ELECO
32	11011030	RINFORZO CERNIERA SUPERIORE NEW SNACK	81	NE03.038	BIPOLAR SWITCH FUSIT C1250AR
33	11010596	VENTOLA X NEW SNACK			
34	11010755	SUPPORT FAN			
35	U127.011	screw TAPT.TCB M5,0X8 DIN 7500C			
36	11013681	SEPARATOR PLATE INSULATOR 6SP			
37	U023.020	SCREW TCEI M6X20 UNI 5931 ZIN			
38	1602.147	BUSH FOR DOOR CONNECTING ROD			
39	NE17.002	ADH.CABLE RETAI.ROUND CABLE D=10MM			
40	U043.006	screw TCBC M4,0X14 UNI 7687 GALV.			
41	11010481	CONNECTOR SUPPORT DRAWER NEW SNACK			
42	15001931	ADHESIVE LABEL			
43	0875.645	AIR TEMPERATURE PROBE			
44	11022104	BUSH FOR SLOT NEW SNACK			
45	U110.007	SCREW AUT.TCB 2,9X16 DIN 7981 F ZNP			
46	128310404	WASHER UNI 8842 A4 BURNISHED			
47	129824002	TCB SCREW M4X10 UNI 7687 ZNP			
48	11010986	CARTER FOR MICRO NEW SNACK BLACK			
49	NE05.039	BIPOLAR MICROSWITCH			
50	1602.170	SPACER FOR DOOR MICRO			
51	11010987	SUPPORT FOR DOOR MICRO NEW SNACK			





# E19028

Pos	Article-Nr.	Description	Pos	Article-Nr.	Description
1	12000962	MULTIGRIP RIVETS 4.8x11	52	11011810	FRONT PLATE FOR DISPLAY NEW SNACK
2	11010680	REINFORCEMENT SIDE X SLOT	53	11011156	SUPP.CIRCUITO STAMP.TASTIERA NEW SNACK
3	U324.003	NUT M5 FLANGED INDENTED BASE	54	11011155	CIRCUITO STAMPATO X TASTIERA NEW SNACK
4	11011613	COIN CHUTE ASS.	55	11013679	TASTIERA NEW SNACK SILVER SERIGRAFATA
5	U043.007	screw TCBC M3,0X8 UNI 7687 GALV.	56	11011151	PANNELLO ESTETICO X SLOT NEW SNACK
6	U046.003	SCREW TCBD TORX 20 M4X12 ZN-B	57	11011138	PLEXIGLAS INFERIORE X SLOT NEW SNACK
7	11011663	SLIDE COVER COIN	58	11011152	FRAME FOR COIN RECOVERY NEW SNACK
8	11011616	COIN CHUTE	59	11012523	PROFILO ESTETICO X SLOT TOP RANGE SILVER
9	11011617	COIN CONVEYOR ADJUSTABLE	60	11012522	TERMINALE ESTET.INF.X SLOT NEW SNACK SIL
10	U302.003	GALV.NUT HEXAGONAL M4 UNI 5588	61	U143.021	screw SPECIAL 4,8X9,5 SELF TAP.
11	U302.002	nut HEXAGONAL M3 UNI 5588	62	11011137	PLEXIGLAS SUPERIORE X SLOT NEW SNACK
12	9111.397	SPRING FOR TRAY /LEVER COIN RECOVER	63	15001859	INSTRUCTIONS' LABEL SPIRALFOOD 8SP ITA
13	123453102	GALV.SELF LOCK NUT HIGH M4 DIN 982	63	15001900	INSTRUCTIONS' LABEL SPIRALFOOD 8SP FRA
14	U201.005	PLAIN WASHER 4,3X12 DIN 7349 GAL	63	15001901	INSTRUCTIONS' LABEL SPIRALFOOD 8SP DE
15	11011619	SUPPORT LEVER COIN RECOVERY	63	15001902	INSTRUCTIONS' LABEL SPIRALFOOD 8SP POR
16	11011660	LEVER COIN RECOVERY	63	15001903	INSTRUCTIONS' LABEL SPIRALFOOD 8SP SPA
17	U212.006	WASHER 3,2X11X0,5 ZNP	63	15001904	INSTRUCTIONS' LABEL SPIRALFOOD 8SP NL
18	U116.005	screw AUT.PT TCB 3,0X8 WN 1441	63	15001912	INSTRUCTIONS' LABEL SPIRALFOOD 8SP ENG
19	129825002	TCB SCREW M4X20 UNI 7687 ZNP	64	U701.003	SNAP RING 7 UNI 7434
20	11011615	LEVER ASS. COIN RECOVERY	65	9111.355	SPRING FOR CHANGE BUTTON
21	11011662	ADJUSTABLE PLATE	66	11013760	PULSANTE RENDIRESTO NEW SNACK SILVER
22	11011661	DUCT COIN RECOVERY	67	U110.003	screw AUT.TCB 3,5X9,5 DIN 7981 F
23	9111.357.050	COIN CHUTE BOTTOM BLACK	68	U203.001	PLAIN WASHER 4,3X8 UNI 1749 GAL
24	U109.003	SCREW TCB 3,5X9,5 DIN 7981 C NICK	69	15001895	TOUCH PANEL PLATE NEW SNACK
25	11012143	LAMIERA X CHIUSURA SLOT NEW SNACK NERO	70	U324.006	NUT M4 FLANGED INDENTED BASE
26	11012611	ASS.BLANK PROTECTION COIN CHANNEL ATLANT	71	11006390	
27	11006845	DOOR CONDUCTING COINS GREY	72	9111.384	COIN BOX FIXING BRACKET
28	U310.004	nut SELF LOCK.M6 UNI 7473	73	U127.011	screw TAPT.TCB M5,0X8 DIN 7500C
29	20006579	SPACE PARTS FOR SLOT NEW SNACK 8SP	74	NE17.013	CABLE RETAINER ITW 20-0600-1100
30	11012104	CPU+SW AS.SNACK MY08	75	U109.023	screw AUT.TCB 4,2X9,5 DIN 7981 C
31	12001283	NUT M5 NNE-34814-15	76	U043.015	screw TCBC M5,0X12 UNI 7687 GALV.
32	11013675	FLAT CABLE 16 POLI L.400 MASCHIO/FEMMINA	77	11026249	CONTAINER X LOWER SLOT COR/ALISEO
33	11011136	SLIDE FOR COIN BOX SUPPORT NEW SNACK	78	11011054	PIN FOR BOSS D.8
34	9111.319.270	KNOB FOR ARM	79	11026356	PROFILE GES26F-A-C0 L.85 MM
35	U302.001	nut HEXAGONAL M5 UNI 5588	80	11026359	PROFILE GES26F-A-C0 L.300 MM
36	11011134	SUPPORTO GETTONIERA NEW SNACK			
37	11012355	LOWER REINFORCEMENT FRONTAL SLOT			
38	11011688	INTERNAL BUSH			
39	11011687	RUOTA ESTERNA X GUIDA SLOT			
40	U023.020	SCREW TCEI M6X20 UNI 5931 ZIN			
41	11012354	UPPER REINFORCEMENT FRONTAL SLOT			
42	0875.741	TOUCH PANEL			
43	12001284	SPACER FOR CARD NEW SNACK SS10-02			
44	NF11.047	nut IN PLASTIC			
45	192200400	20x2 LCD WHITE DISPLAY FSTN + FLAT			
46	NE17.001	ADH.CABLE RETAIN.FLAT CABLE L=30MM			
47	148601300	WIRE CLAMP			
48	11022723	FLAT CONNECTOR TOUCH PANEL/CPU			
49	11012521	TERMINALE ESTET.SUP.X SLOT NEW SNACK SIL			
50	11011372	SUPPORT AESTHETIC TERMINAL UPPER			
51	11013721	SUPPORT PLATE INSTRUCTION NEW SNACK 8SP			



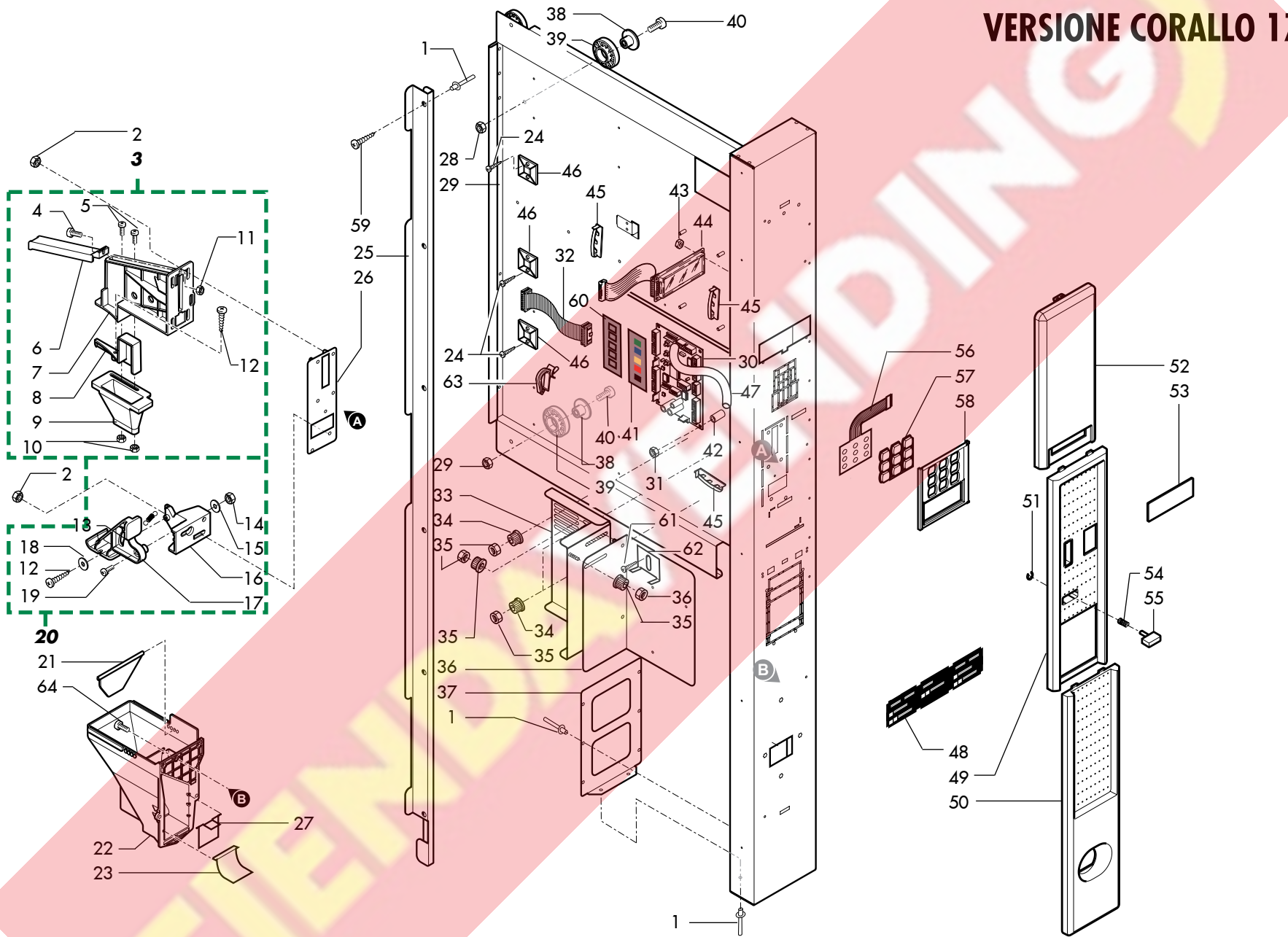


# E19028

Pos	Article-Nr.	Description	Pos	Article-Nr.	Description
1	12000962	MULTIGRIP RIVETS 4.8x11	49	11022723	FLAT CONNECTOR TOUCH PANEL/CPU
2	11010680	REINFORCEMENT SIDE X SLOT	50	11012096	CIRCUITO STAMP.X TASTIERA NEW SNACK 6SP
3	U324.003	NUT M5 FLANGED INDENTED BASE	51	11012504	TOUCH PANEL RED
4	11011614	ASS.SCIVOLO MONETE CRISTALLO400	51	11022343	TOUCH PANEL GRY
5	U043.007	screw TCBC M3,0X8 UNI 7687 GALV.	52	11022347	KEYBOARD SUPPORT X NEW SNACK 6SP BLK
6	U046.003	SCREW TCBD TORX 20 M4X12 ZN-B	52	11013113	KEYBOARD SUPPORT X NEW SNACK 6SP RED
7	11011663	SLIDE COVER COIN	53	11021804	ASS.COVER BOX
8	11011616	COIN CHUTE	54	15001905	INSTRUCTIONS' LABEL SPIRALFOOD 6SP ITA
9	11011618	BLOCCO X CONVOGLIATORE MONETE REGOLABILE	54	15001906	INSTRUCTIONS' LABEL SPIRALFOOD 6SP FRA
10	11012131	COIN CONVEYOR ADJUSTABLE FS400/600	54	15001907	INSTRUCTIONS' LABEL SPIRALFOOD 6SP DE
11	U302.003	GALV.NUT HEXAGONAL M4 UNI 5588	54	15001908	INSTRUCTIONS' LABEL SPIRALFOOD 6SP POR
12	U302.002	nut HEXAGONAL M3 UNI 5588	54	15001909	INSTRUCTIONS' LABEL SPIRALFOOD 6SP SPA
13	U116.005	screw AUT.PT TCB 3,0X8 WN 1441	54	15001910	INSTRUCTIONS' LABEL SPIRALFOOD 6SP NL
14	9111.397	SPRING FOR TRAY /LEVER COIN RECOVE	54	15001911	INSTRUCTIONS' LABEL SPIRALFOOD 6SP ENG
15	123453102	GALV.SELF LOCK NUT HIGH M4 DIN 982	54	15002006	INSTRUCTIONS' LABEL SPIRALFOOD 6S GRY ITA
16	U201.005	PLAIN WASHER 4,3X12 DIN 7349 GAL	54	15002007	INSTRUCTIONS' LABEL SPIRALFOOD 6S GRY FRA
17	11011619	SUPPORT LEVER COIN RECOVERY	54	15002008	INSTRUCTIONS' LABEL SPIRALFOOD 6SP GRY DE
18	11011660	LEVER COIN RECOVERY	54	15002009	INSTRUCTIONS' LABEL SPIRALFOOD 6S GRY POR
19	U212.006	WASHER 3,2X11X0,5 ZNP	54	15002010	INSTRUCTIONS' LABEL SPIRALFOOD 6SP GRY NL
20	129825002	TCB SCREW M4X20 UNI 7687 ZNP	54	15002011	INSTRUCTIONS' LABEL SPIRALFOOD 6S GRY ENG
21	11011615	LEVER ASS. COIN RECOVERY	54	15002012	INSTRUCTIONS' LABEL SPIRALFOOD 6S GRY SPA
22	11011662	ADJUSTABLE PLATE	55	11014265	FS400 INTRODUCTION COINS PANEL BLK
23	11011661	DUCT COIN RECOVERY	55	11003416	RED PEARLY COIN INTRODUCTION PANEL
24	9111.357.050	COIN CHUTE BOTTOM BLACK	56	11003415	RED PEARLY PANEL RECOVERY REST
25	U109.003	SCREW TCB 3,5X9,5 DIN 7981 C NICK	56	11014270	BLACK PANEL RECOVERY REST
26	11012143	LAMIERA X CHIUSURA SLOT NEW SNACK NERO	57	U701.003	SNAP RING 7 UNI 7434
26	11012144	FASTENING SHEET SLOT NEW SNACK BEI	58	11014273	BLACK FS400 SUPERIOR COLUMN PANEL
27	11012569	ASS.PIASTRA MONT.CANALE MONETE FS400/600	58	11003417	RED PEARLY UPPER COLUMN PANEL
28	11001739	COIN CHUTE DOOR RED	59	11013761	VETRINO X DISPLAY NEW SNACK SERIG.NERO
28	11006845	DOOR CONDUCTING COINS GREY	60	9111.355	SPRING FOR CHANGE BUTTON
29	U310.004	nut SELF LOCK.M6 UNI 7473	61	11006846	PULSANTE RECUPERO MONETE GRY
30	20006578	SPACE PARTS FOR SLOT NEW SNACK 6SP	61	11001795	COIN RECOVERY BUTTON RED
30	20006657	SPACE PARTS FOR SLOT NEW SNACK 6SP GRY	62	11023241	PRINTED CIRCUIT TOUCH PANEL CORALLO
31	11012104	CPU+SW AS.SNACK MY08	63	11023281	TOUCH PANEL CORALLO 6SP
32	12001283	NUT M5 NNE-34814-15	64	11024082	KEYBOARD PANEL CORALLO
33	11013675	FLAT CABLE 16 POLI L.400 MASCHIO/FEMMINA	65	U110.003	screw AUT.TCB 3,5X9,5 DIN 7981 F
34	11011136	SLIDE FOR COIN BOX SUPPORT NEW SNACK	66	15001895	TOUCH PANEL PLATE NEW SNACK
35	9111.319.270	KNOB FOR ARM	67	U127.011	screw TAPT.TCB M5,0X8 DIN 7500C
36	U302.001	nut HEXAGONAL M5 UNI 5588	68	9111.384	COIN BOX FIXING BRACKET
37	11011134	SUPPORTO GETTONIERA NEW SNACK	69	NE17.013	CABLE RETAINER ITW 20-0600-1100
38	11012355	LOWER REINFORCEMENT FRONTAL SLOT	70	U043.015	screw TCBC M5,0X12 UNI 7687 GALV.
39	11011688	INTERNAL BUSH			
40	11011687	RUOTA ESTERNA X GUIDA SLOT			
41	U023.020	SCREW TCEI M6X20 UNI 5931 ZIN			
42	11012354	UPPER REINFORCEMENT FRONTAL SLOT			
43	0875.741	TOUCH PANEL			
44	12001284	SPACER FOR CARD NEW SNACK SS10-02			
45	NF11.047	nut IN PLASTIC			
46	192200500	20x2 LCD BLUE DISPLAY STN + FLAT			
47	NE17.001	ADH.CABLE RETAIN.FLAT CABLE L=30MM			
48	148601300	WIRE CLAMP			

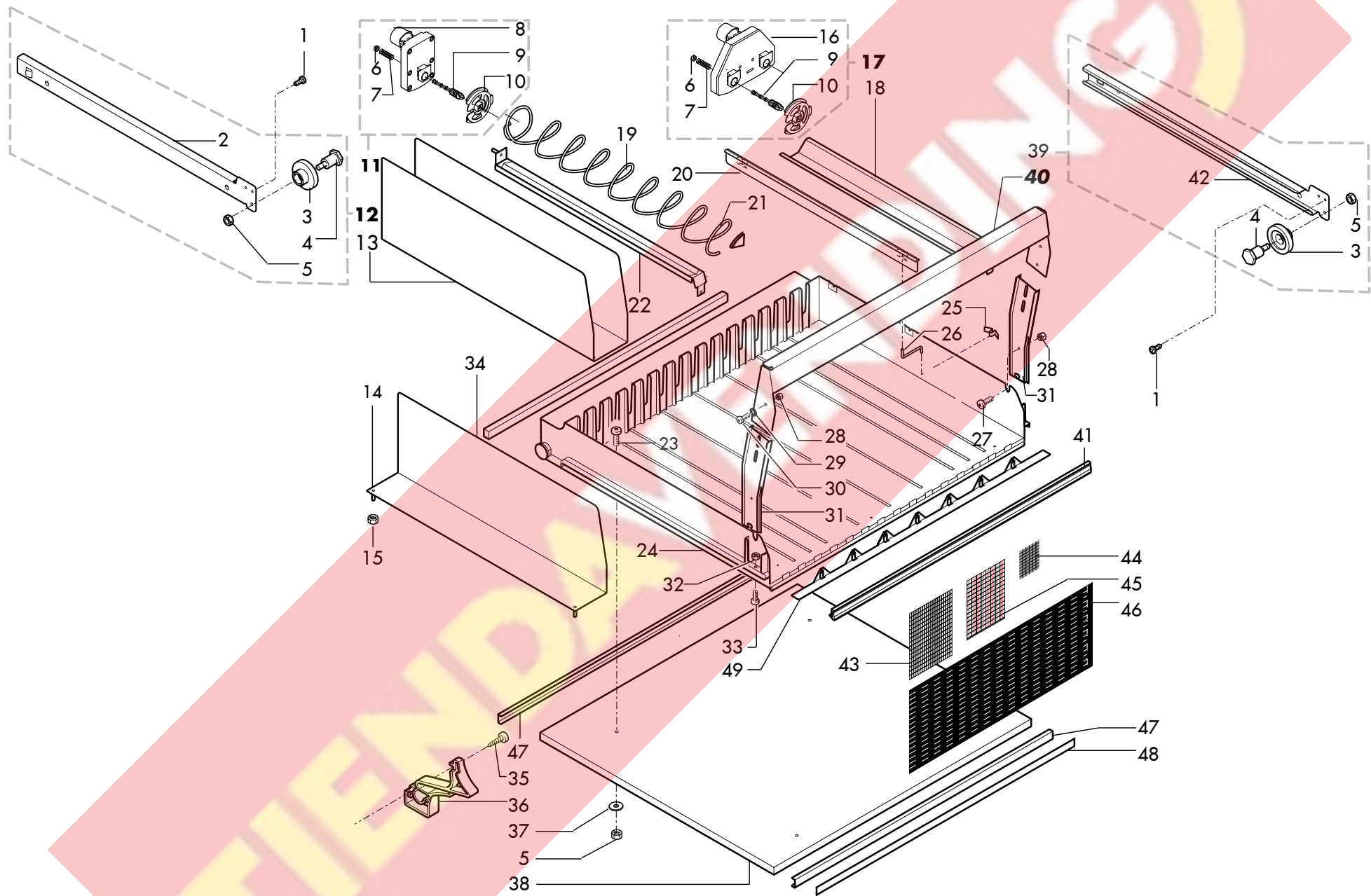


# VERSIONE CORALLO 1700



# E19028

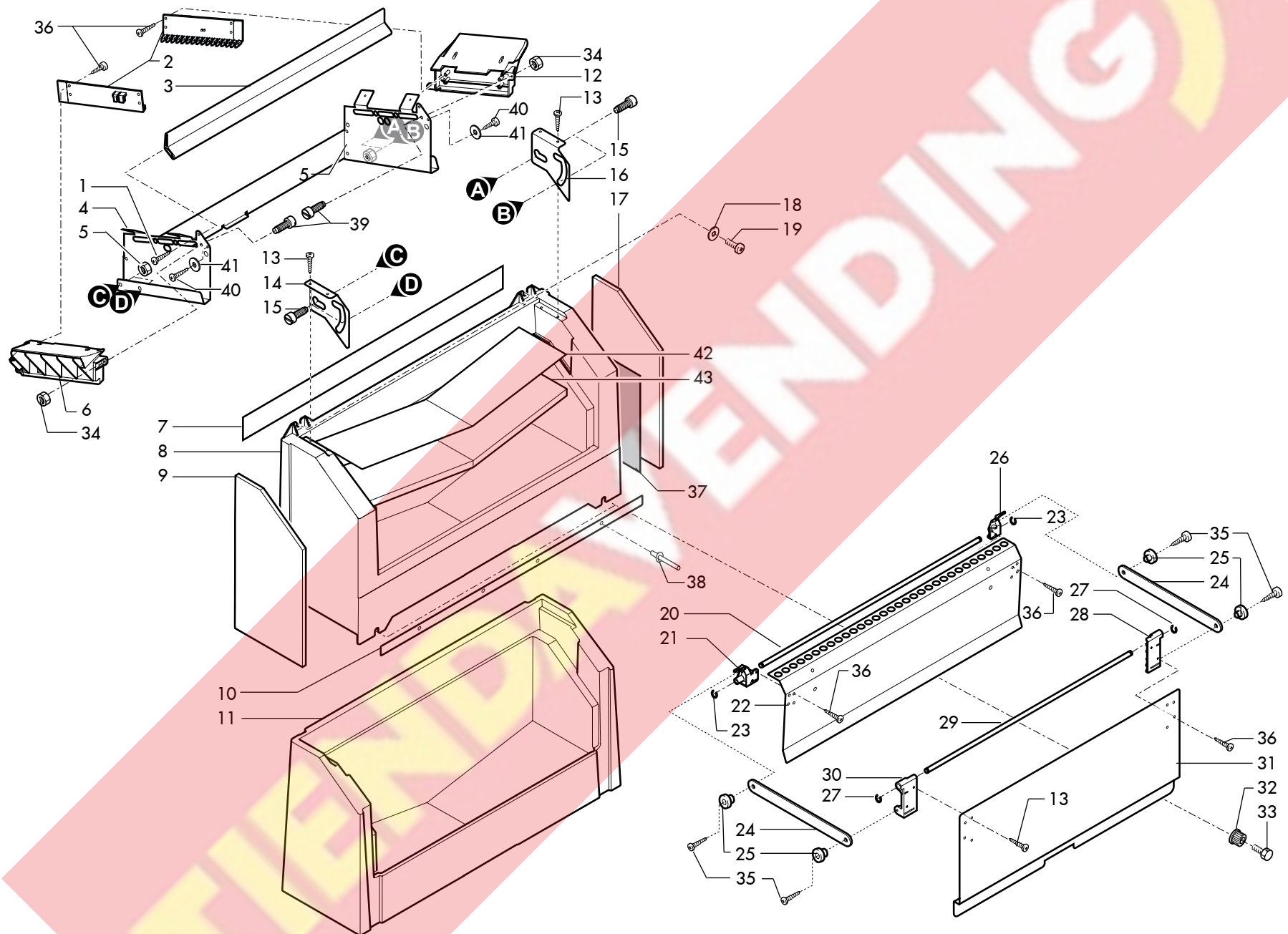
Pos	Article-Nr.	Description	Pos	Article-Nr.	Description
1	12000962	MULTIGRIP RIVETS 4.8x11	48	15002010	INSTRUCTIONS'LABEL SPIRALFOOD 6SP GRY NL
2	U324.003	NUT M5 FLANGED INDENTED BASE	48	15002011	INSTRUCTIONS'LABEL SPIRALFOOD 6S GRY ENG
3	11011614	ASS.SCIVOLO MONETE CRISTALLO400	48	15002012	INSTRUCTIONS'LABEL SPIRALFOOD 6S GRY SPA
4	U043.007	screw TCBC M3,0X8 UNI 7687 GALV.	49	11014265	FS400 INTRODUCTION COINS PANEL BLK
5	U046.003	SCREW TCBD TORX 20 M4X12 ZN-B	50	11014270	BLACK PANEL RECOVERY REST
6	11011663	SLIDE COVER COIN	51	U701.003	SNAP RING 7 UNI 7434
7	11011616	COIN CHUTE	52	11014273	BLACK FS400 SUPERIOR COLUMN PANEL
8	11011618	BLOCCO X CONVOGLIATORE MONETE REGOLABILE	53	11013761	VETRINO X DISPLAY NEW SNACK SERIG.NERO
9	11012131	COIN CONVEYOR ADJUSTABLE FS400/600	54	9111.355	SPRING FOR CHANGE BUTTON
10	U302.003	GALV.NUT HEXAGONAL M4 UNI 5588	55	11006846	PULSANTE RECUPERO MONETE GRY
11	U302.002	nut HEXAGONAL M3 UNI 5588	56	11023241	PRINTED CIRCUIT TOUCH PANEL CORALLO
12	U116.005	screw AUT.PT TCB 3,0X8 WN 1441	57	11023281	TOUCH PANEL CORALLO 6SP
13	9111.397	SPRING FOR TRAY /LEVER COIN RECOVERE	58	11024082	KEYBOARD PANEL CORALLO
14	123453102	GALV.SELF LOCK NUT HIGH M4 DIN 982	59	U110.003	screw AUT.TCB 3,5X9,5 DIN 7981 F
15	U201.005	PLAIN WASHER 4,3X12 DIN 7349 GAL	60	15001895	TOUCH PANEL PLATE NEW SNACK
16	11011619	SUPPORT LEVER COIN RECOVERY	61	U127.011	screw TAPT.TCB M5,0X8 DIN 7500C
17	11011660	LEVER COIN RECOVERY	62	9111.384	COIN BOX FIXING BRACKET
18	U212.006	WASHER 3,2X11X0,5 ZNP	63	NE17.013	CABLE RETAINER ITW 20-0600-1100
19	129825002	TCB SCREW M4X20 UNI 7687 ZNP	64	U043.015	screw TCBC M5,0X12 UNI 7687 GALV.
20	11011615	LEVER ASS. COIN RECOVERY			
21	11011662	ADJUSTABLE PLATE			
22	11011661	DUCT COIN RECOVERY			
23	9111.357.050	COIN CHUTE BOTTOM BLACK			
24	U109.003	SCREW TCB 3,5X9,5 DIN 7981 C NICK			
25	11023870	FASTENING SHEET SLOT CORALLO H1700 BLK			
26	11012569	ASS.PIASTRA MONT.CANALE MONETE FS400/600			
27	11006845	DOOR CONDUCTING COINS GREY			
28	U310.004	nut SELF LOCK.M6 UNI 7473			
29	20006948	SPACE PARTS FOR SLOT CORALLO H1700			
30	11012104	CPU+SW AS.SNACK MY08			
31	12001283	NUT M5 NNE-34814-15			
32	11013675	FLAT CABLE 16 POLI L.400 MASCHIO/FEMMINA			
33	11011136	SLIDE FOR COIN BOX SUPPORT NEW SNACK			
34	9111.319.270	KNOB FOR ARM			
35	U302.001	nut HEXAGONAL M5 UNI 5588			
36	11011134	SUPPORTO GETTONIERA NEW SNACK			
37	11012355	LOWER REINFORCEMENT FRONTAL SLOT			
38	11011688	INTERNAL BUSH			
39	11011687	RUOTA ESTERNA X GUIDA SLOT			
40	U023.020	SCREW TCEI M6X20 UNI 5931 ZIN			
41	0875.741	TOUCH PANEL			
42	12001284	SPACER FOR CARD NEW SNACK SS10-02			
43	NF11.047	nut IN PLASTIC			
44	192200500	20x2 LCD BLUE DISPLAY STN + FLAT			
45	NE17.001	ADH.CABLE RETAIN.FLAT CABLE L=30MM			
46	148601300	WIRE CLAMP			
47	11022723	FLAT CONNECTOR TOUCH PANEL/CPU			
48	15002006	INSTRUCTIONS'LABEL SPIRALFOOD 6S GRY ITA			
48	15002007	INSTRUCTIONS'LABEL SPIRALFOOD 6S GRY FRA			
48	15002008	INSTRUCTIONS'LABEL SPIRALFOOD 6SP GRY DE			
48	15002009	INSTRUCTIONS'LABEL SPIRALFOOD 6S GRY POR			



# E19028

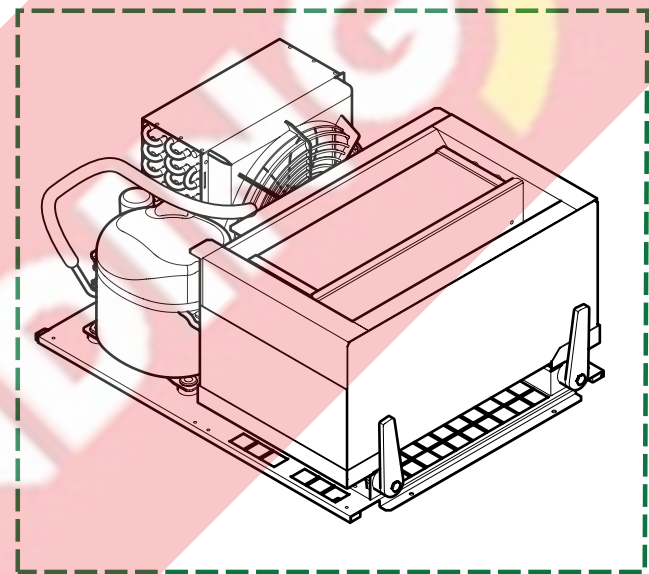
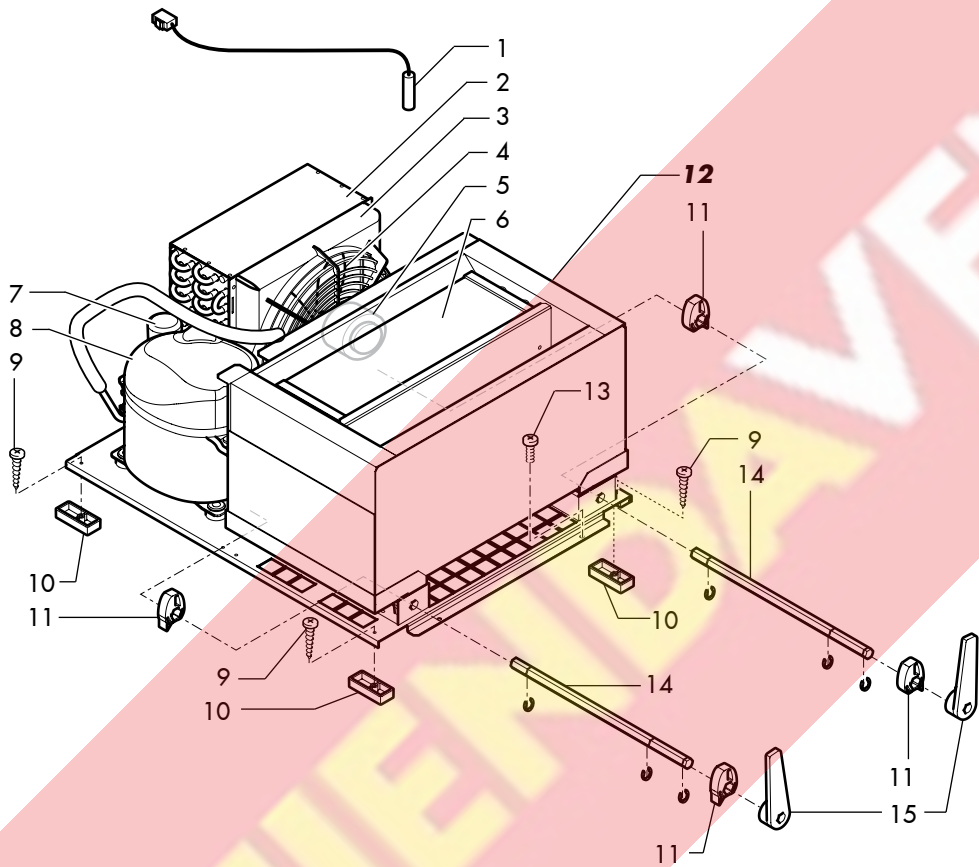
Pos	Article-Nr.	Description	Pos	Article-Nr.	Description
1	U143.022	screw T.M.T. K.F.R. 3,5X9,5 ZNP	34	11013661	SEPARATOR INSULATOR 6SP
2	9111.436.050	LEFT STD GUIDE IN SH.METAL FOR COOL	34	11013662	SEPARATOR INSULATOR 8SP
3	9111.251.050	WHEEL FOR GUIDE BLACK	35	U109.005	screw AUT.TCB 3,5X16 DIN 7981 C
4	9111.271	PIN FOR WHEELS	36	11013114	STOP FOR BOX NEW SNACK
5	U302.001	nut HEXAGONAL M5 UNI 5588	37	U207.001	PLAIN WASHER 5,3X10 UNI 6592 GAL
6	9111.250.050	RETAINER FOR SPIRAL MOTOR SHAFT BL	38	11012314	PANNELLO ISOLANTE X CASSETTO 8S
7	9111.504	SPRING FOR SPIRALS MOTOR	38	11012341	PANNELLO ISOLANTE X CASSETTO 6S
8	9121.192.00P	RATIOMOTOR SINGLE 24V	39	9110.082	GUIDE ASS.
9	9111.247.050	SHAFT FOR SPIRALS MOTOR BLACK	40	9111.479.050	BOTTLES CONTRAST ROD 8SP BLACK
10	9111.248.050	RING NUT FOR LEFT -RIGHT SPIRAL BL	40	9111.480.050	BOTTLES CONTRAST ROD 6SP BLACK
11	9120.030.00P	RATIOMOTOR ASS.FIDER SINGLE 24V	41	9111.458.050	ALU.STRIP FOR LABELS 6S
12	9110.081	GUIDE ASS.	41	11013992	LABEL HOLDER PROFILE
13	9111.484.050	BOTTLES SEPARATOR	42	9111.442.050	RIGHT STD GUIDE IN SH.METAL FOR COO
14	9111.490.050	BOTTLES SEPARATOR	43	1602.983	PRICE DATA PLATE
15	U324.006	NUT M4 FLANGED INDENTED BASE	44	1602.986	ACCEPTED COINS STICKER EURO
16	9121.193.00P	RATIOMOTOR DOUBLE 24V	45	1602.984	LABEL FOR SPIRAL
17	9120.031.00P	RATIOMOTOR ASS.SNACK DOUBLE 24V	45	15002720	LABEL FOR SPIRAL
18	9111.460.050	SHEET METAL GUIDE FOR SPIRALS	46	1602.953	PRICE DATA PLATE
19	9111.600.940	DISTRIB. SPIRAL D.65 P17	47	11013730	FRONT COVER
19	9111.603.940	SPIRAL D.70 P 90 RIGHT	47	11013731	FRONT COVER
19	9111.604.940	SPIRAL D.65 P 40 RIGHT	48	11021741	ADHESIVE LABEL
19	9111.605.940	SPIRAL D.65 P 57 RIGHT	49	9111.557	SEPARATORS FOR REINFORCEMENT
19	9111.608.940	SPIRAL D.65 P 85 RIGHT	49	9111.585	SEPARATORS FOR REINFORCEMENT 6 FILE
19	9111.611.940	SPIRAL D.65 P 50 RIGHT			
19	9111.584.940	DISTRIB. SPIRAL D.65 P20 RIGHT C			
19	9111.254.940	SPIRAL D.70 P 75 RIGHT CHROME			
19	9111.275.940	DISTRIB. SPIRAL D.65 P35 LEFT CH			
19	9111.276.940	DISTRIB. SPIRAL D.65 P24 LEFT CH			
19	9111.277.940	DISTRIB. SPIRAL D.65 P45 LEFT CH			
19	9111.278.940	DISTRIB. SPIRAL D.65 P75 LEFT CH			
19	9111.279.940	DISTRIB. SPIRAL D.65 P35 RIGHT C			
19	9111.280.940	DISTRIB. SPIRAL D.65 P24 RIGHT C			
19	9111.281.940	DISTRIB. SPIRAL D.65 P45 RIGHT C			
19	9111.282.940	DISTRIB. SPIRAL D.65 P75 RIGHT C			
19	11009444	DISTRIB. SPIRAL D.65 P60 RIGHT			
19	11009445	DISTRIB. SPIRAL D.65 P60 LEFT			
20	9111.440.050	PARALLELOGRAM IN PLASTICS			
21	9111.292.050	TONGUE FOR SPIRAL			
22	9111.461.050	BRIDGE FOR BOTTLES/TINS			
23	U043.026	screw TCBC M5,0X50 UNI 7687 GALV.			
24	9111.444.050	PRODUCTS DRAWER 6 SPIRALS			
24	9111.430.050	PRODUCTS DRAWER 8 SPIRALS			
25	9111.438	SHEET TO FIX SUPP.PARALLELOGRAM			
26	9111.439	SPRING FOR PARALLELOGRAM			
27	U044.019	screw TSPC M3,0X12 UNI 7688 GALV.			
28	U302.002	nut HEXAGONAL M3 UNI 5588			
29	U201.001	PLAIN WASHER 3,2X9 DIN 7349 GALV.			
30	U043.028	screw TCBC M3,0X10 UNI 7687 GALV.			
31	9111.432.050	PLASTIC SUPPORT FOR CONTRAST ROD			
32	U315.001	nut SQUARE M4 UNI 5596 GALV.			
33	129854021	TSP SCREW M4X8 UNI 7688 SS			





# E19028

Pos	Article-Nr.	Description	Pos	Article-Nr.	Description
1	U109.003	SCREW TCB 3,5X9,5 DIN 7981 C NICK	42	11024073	SHEET PRODUCT VAIN CORALLO
2	1602.A29	ASS.PHOTOELECTRIC CELL	42	11024075	SHEET PRODUCT VAIN ALISEO
3	11010502	HANDLE FOR VAIN ROTATION PRODUCT 8S	43	11024076	INSULATOR PRODUCT VAIN CORALLO
3	11011083	HANDLE FOR VAIN ROTATION PRODUCT 6S	43	11024077	INSULATOR PRODUCT VAIN ALISEO
4	11012145	TELAIO CASSET.REC.PROD.NEW SNACK 6S NERO			
4	11012146	TELAIO CASSET.REC.PROD.NEW SNACK 8S NERO			
5	U302.004	nut HEXAGONAL M6 UNI 5588			
6	11010537	SUPPORTO FOTOCELLULE SX NEW SNACK			
7	11013663	INSULATOR FOR RECOVERY BOX 6SP			
7	11013664	INSULATOR FOR RECOVERY BOX 8SP			
8	11010503	PRODUCT RECOVERY DRAWER NEW SNACK 8S			
8	11011084	PRODUCT RECOVERY DRAWER NEW SNACK 6S			
9	11013667	LEFT SIDE INSULATOR FOR RECOVERY BOX			
10	11011079	PLATE FOR SEAL PRODUCT RECOVERY DRAWER			
10	11011041	PLATE FOR SEAL PRODUCT RECOVERY DRAWER			
11	11011085	ISOLATOR FOR DRAWER PRODUCT RECOVERY 6S			
11	11010504	ISOLATOR FOR DRAWER PRODUCT RECOVERY 8S			
12	11010536	SUPPORTO FOTOCELLULE DX NEW SNACK			
13	U109.016	screw AUT.TCB 3,9X13 DIN 7981 C			
14	11012148	RINF.SX X ROTAZ.VANO REC.PROD.NERO			
15	11010538	INSIDE DOOR ROTATION PIN			
16	11012147	RINF.DX X ROTAZ.VANO REC.PROD.NERO			
17	11013668	RIGHT SIDE INSULATOR FOR RECOVERY BOX			
18	U207.013	PLAIN WASHER 6.5X18 UNI 6592 GALV			
19	U043.014	screw TCBC M5,0X20 UNI 7687 GALV.			
20	11010540	DOOR ROTATION PIN 8S			
20	11011075	DOOR ROTATION PIN 6S			
21	1602.205.050	SUPPORT DX DOOR			
22	11010543	PROTECTION DOOR FOR PRODUCT RECOVERY 8S			
22	11011077	PROTECTION DOOR FOR PRODUCT RECOVERY 6S			
23	U701.011	STEEL SNAP RING 5 UNI 7434			
24	1602.105	DOOR CONNECTING ROD			
25	1602.147	BUSH FOR DOOR CONNECTING ROD			
26	1602.215.050	SUPPORT SX DOOR			
27	U701.003	SNAP RING 7 UNI 7434			
28	1602.204.050	SUPPORT DX DOOR PUSH			
29	11011074	ANTERIOR DOOR ROTATION PIN 6S			
29	11010539	ANTERIOR DOOR ROTATION PIN 8S			
30	1602.203.050	SUPPORT SX DOOR PUSH			
31	11010542	FRONT DOOR FOR PRODUCTS RECOVERY 8S			
31	11011076	FRONT DOOR FOR PRODUCTS RECOVERY 6S			
32	9111.319.270	KNOB FOR ARM			
33	U005.016	screw TE M5,0X20 UNI 5739 GALV.			
34	123453102	GALV.SELF LOCK NUT HIGH M4 DIN 982			
35	U116.006	screw AUT.PT TCB 3,5X12 WN 1441			
36	U110.003	screw AUT.TCB 3,5X9,5 DIN 7981 F			
37	JI01.011	ADH. TAPE FABRIC FINISH BLACK L.50			
38	NF11.022	EXPANSION RIVET D=2,8X8 ALU. BLACK			
39	129824002	TCB SCREW M4X10 UNI 7687 ZNP			
40	U109.012	screw AUT.TCB 3,9X19 DIN 7981 C			
41	128310421	WASHER UNI 8842 A4 SS			



16

# E19028

Pos	Article-Nr.	Description	Pos	Article-Nr.	Description
1	11012510	SONDA BRINATURA X NEW SNACK			
2	20006686	CAPACITOR 1050240F70 NEWSNACK			
3	20006684	CONVEYOR CG230 NEW SNACK			
4	20006682	FAN AQ230-28 NEW SNACK			
5	20006683	FAN FMI AA7707710X NEW SNACK			
6	20006685	EVAPORATOR 0660340N00 NEW SNACK			
7	20006681	CAPACITOR 55310230 NEWSNACK			
8	20006680	COMPRESSOR NEK6210GK-A-CSIR NEW SNACK			
9	U109.003	SCREW TCB 3,5X9,5 DIN 7981 C NICK			
10	11012345	SLIDER FOR REFRIGERATOR UNIT NEW SNACK			
11	11012344	CAM FOR REFRIGERATOR NEW SNACK			
12	11011854	FRIDGE UNIT 230V X NEW SNACK			
13	U043.015	screw TCBC M5,0X12 UNI 7687 GALV.			
14	11012347	HEXAGONAL ROD REFRIGERATOR UNIT			
15	11012346	HANDLE FOR REFRIGERATOR NEW SNACK			
16	11012318	FRIDGE UNIT ASS.230V X NEW SNACK			

