



LB 3400 ZENITH

Spare parts handbook





Index Spare parts

- 1 Door, external side
- 2 Door, internal side
- 3 Cabinet asst
- 4 Electric system
- 5 Hydraulic system
- 6 Coffee dispenser
- 7 Coffee unit
- 8 Grinder doser unit
- 9 Capsule dispenser
- 10 Espresso capsule assy
- 11 Mixer and nozzles
- 12 Containers
- 13 Cup dispenser
- 14 Sugar and spoons dispenser
- 15 Pin and connectors



Spare parts handbook
LB 3400 ZENITH

Machine code: 80615

Handbook code: 83391

Revision: September 2004

Rel: 0.00

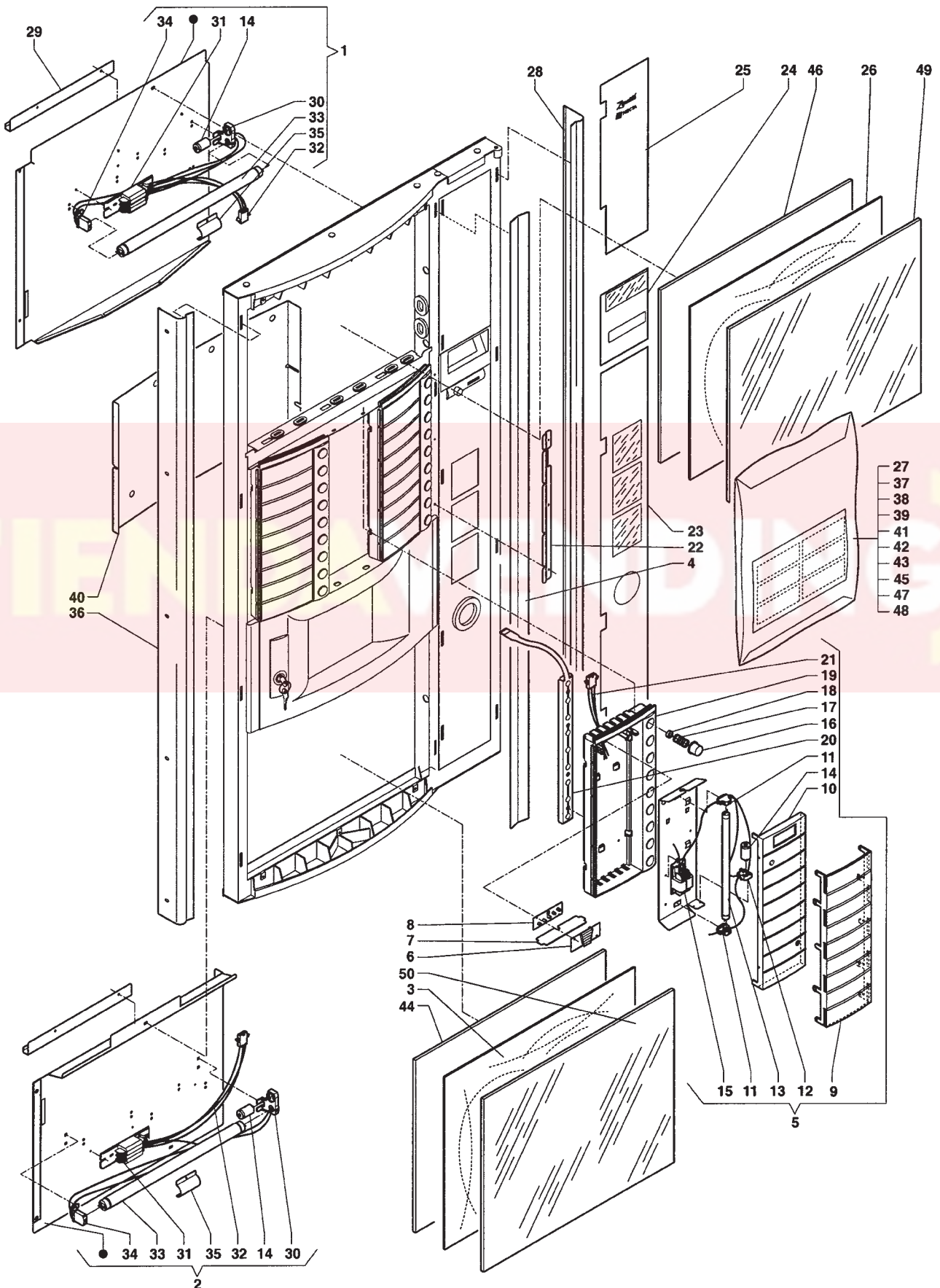


Door, external side

1

1/4

REF.	MAKER'S CODE	LAVAZZA CODE	DESCRIPTION	NOTES
1	0V2185	10065201	UPPER ILLUMINATED PANEL	ASSEMBLED
2	0V2186	10065202	LOWER ILLUMINATED PANEL	ASSEMBLED
3		10065259	LOWER PHOTOGRAPHIC PANEL	
4	0V2157	10065189	MIDDLE PROFILE	
5	0V2184	10063133	STANDARD PUSH-BUTTON PANEL	ASSEMBLED
6	0V2148	10065184	CUP SIGNALLING CARD	
7	0V2077	10065148	LED CARD PROTECTIVE PLATE	
8	0V2145	10065183	SUGAR LED CARD	
9	250169	10063146	LABEL SCREEN	
10	0V2135	10063136	LABEL SUPPORT	
11	0V2130	10063138	LAMP HOLDER	
12	0V1554	10063137	STARTER HOLDER	
13	097266	10063140	LIGHT TYPE TL 8 W	
14	091802	10063009	STARTER TYPE S10	
15	097268	10063139	INDUCTOR TYPE BPL	
16	0V2133	10063135	SELECTION BUTTON	
17	0V2034	10063134	SELECTION BUTTON SPRING	
18	0V2134	10063141	SELECTION BUTTON SPACER	
19	250168	10063147	PUSH-BUTTON PANEL - BLACK -	
20	0V2132	10063148	MEMBRANE-TYPE PUSH-BUTTON PANEL	
21	0V2115	10063143	MENU LAMP WIRING	
22	0V2009	10065112	PUSH-BUTTON PANEL STRIKER PROFILE	
23	250196	10063132	LOWER DOOR LABEL -BLACK-	
24	0V4225	10065242	BLACK MIDDLE DOOR LABEL	
25	0V2085	10065153	UPPER DOOR LABEL	
26		10065258	UPPER PHOTOGRAPHIC PANEL	
27	250171	10063154	DOOR INSTRUCTION LABEL -D-	
28	0V1982	10065094	DOOR RIGHT PROFILE	
29	0V2005	10065110	DOOR CONTAINER SUPPORT	
30	987958	10063155	LAMPHOLDER	
31	0V1011	10063160	BALLAST	
32	0V2116	10065166	PANEL LAMP WIRING	



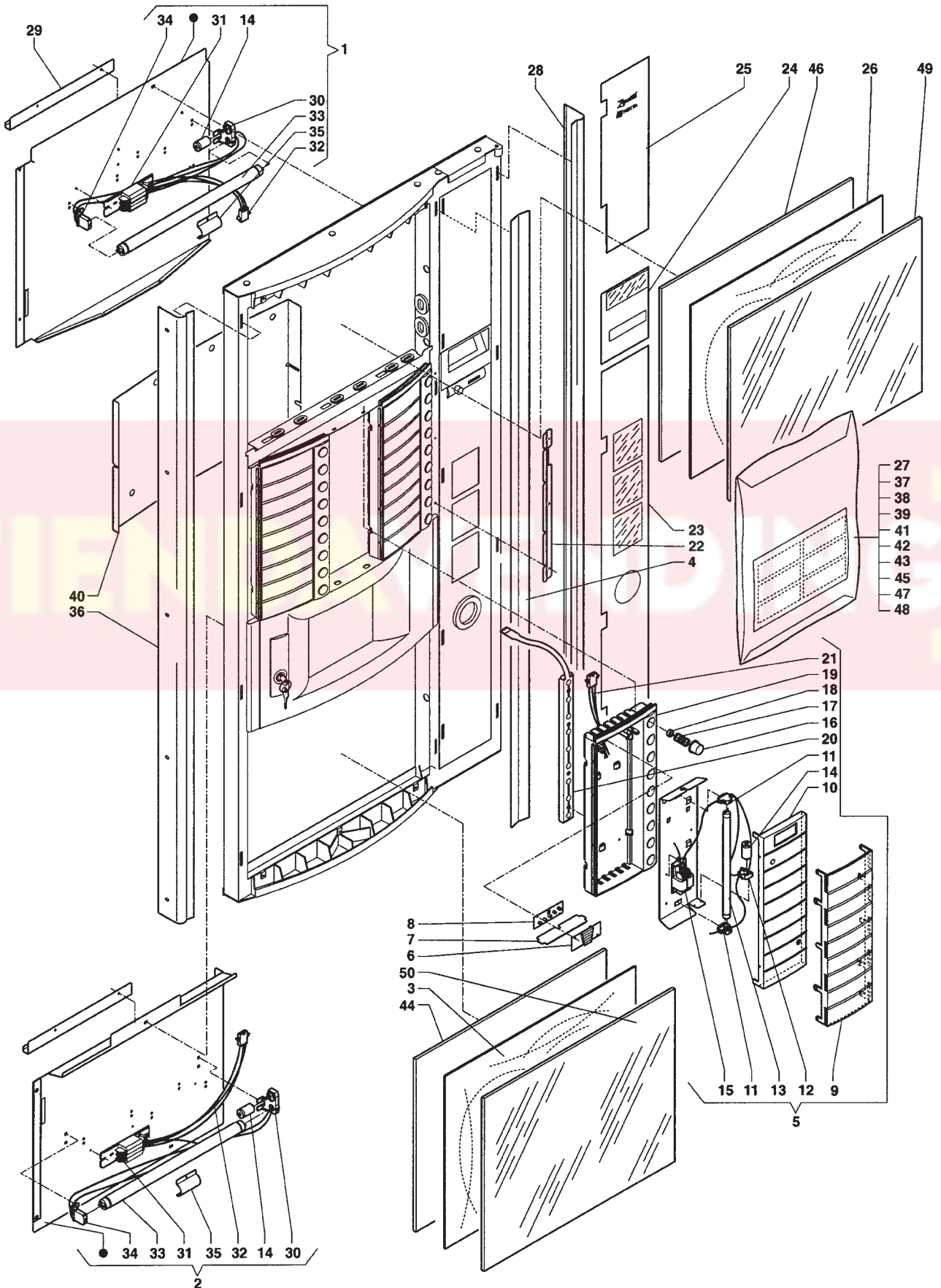


Door, external side

1

3/4

REF.	MAKER'S CODE	LAVAZZA CODE	DESCRIPTION	NOTES
33	0V0594	10065074	NEON	
34	099783	10063159	LAMP-HOLDER	
35	0V2468	10063156	LAMP PROTECTION	
36	0V1981	10065093	DOOR LEFT PROFILE	
37	0V3367	10065234	PRICE PLATE EURO 0,01	
38		10065260	PRODUCT LABEL - ITALY	
39	0V2090	10065154	PRESELECTION PLATE	
40	0V2339	10065218	REAR COVER	
41		10065264	PRODUCT LABEL 1 - GERMANY	
42		10065265	PRODUCT LABEL 2 - GERMANY	
43	0V3368	10063152	PRICE PLATE EURO 0,05	
44	0V3337	10065231	LOWER OPAL-GLASS	
45		10065261	PRODUCT LABELS SPAIN	
46	0V3339	10065233	UPPER OPAL-GLAS	
47		10065262	PRODUCT LABELS 1 (FRANCE)	
48		10065263	PRODUCT LABELS 2 (FRANCE)	
49	0V3338	10065232	UPPER TRANSPARENT PANEL	
50	0V3336	10065230	LOWER TRANSPARENT PANEL	



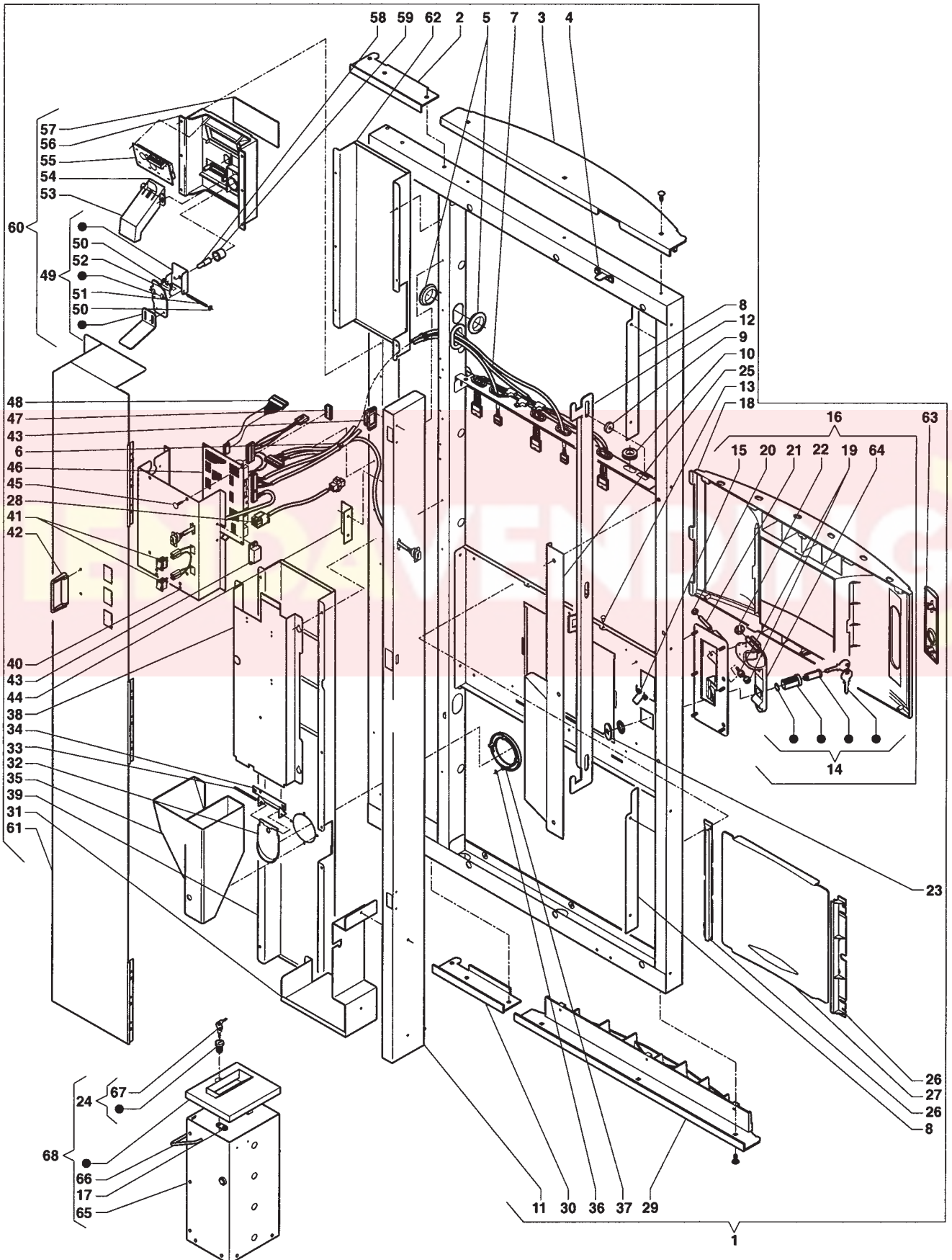


Door, internal side

2

1/6

REF.	MAKER'S CODE	LAVAZZA CODE	DESCRIPTION	NOTES
1	0V2195	10065208	GRAY OPEN DISP. COMPARTMENT DOOR	ASSEMBLED
2	0V2139	10065178	UPPER HEAD EXTENSION	
3	0V4120	10065237	UPPER HEAD	
4	0V2017	10063184	DOOR MICRO-SWITCH ACTUATOR	
5	098600	10065045	CHOCK	
6	090148	10063002	CLIP	
7	0V2121	10065170	DOOR WIRING	
8	0V2006	10063180	PHOTOGRAPHIC PANEL STOP	
9	0V2047	10063182	LOCK ROD SPACER	
10	090020	10063000	WHIPPING MM 16	
11	0V1991	10063198	BOX	
12	0V2189	10065204	LOCK ROD	
13	098833	10063210	BUFFER	
14	099905	10063187	LOCK "RIELDA"	ASSEMBLED
15	097329	10065030	OPENING HANDLE SPRING	
16	0V2176	10065196	CLOSING DEVICE	ASSEMBLED
17	098551	10063202	BOLT	
18	0V2091	10065155	DISPENSING COMPARTMENT	
19	092738	10063018	ELECTRICAL PANEL COVER	
20	091287	10063330	OUTER FIXING COLLAR	
21	093907	10065012	ROTATION PIVOT	
22	093171	10065009	OUTER FIXING COLLAR DIAM MM6	
23	0V2344	10065220	LOCK-BOLT	
24	090861	10063203	CYLINDER LOCK TYPE K	ASSEMBLED
25	0V1999	10065106	LOCK COVER	
26	094482	10065018	SHUTTER GUIDE	
27	0V2093	10063195	DISPENSING COMPARTMENT DOOR	
28	987737	10065269	EXECUTIVE WIRING	
29	0V4121	10065238	LOWER HEAD	
30	0V2140	10065179	LOWER HEAD EXTENSION	
31	0V2021	10063199	COIN-BOX SUPPORT	
32	093890	10063032	MONEY RETURN SHUTTER	



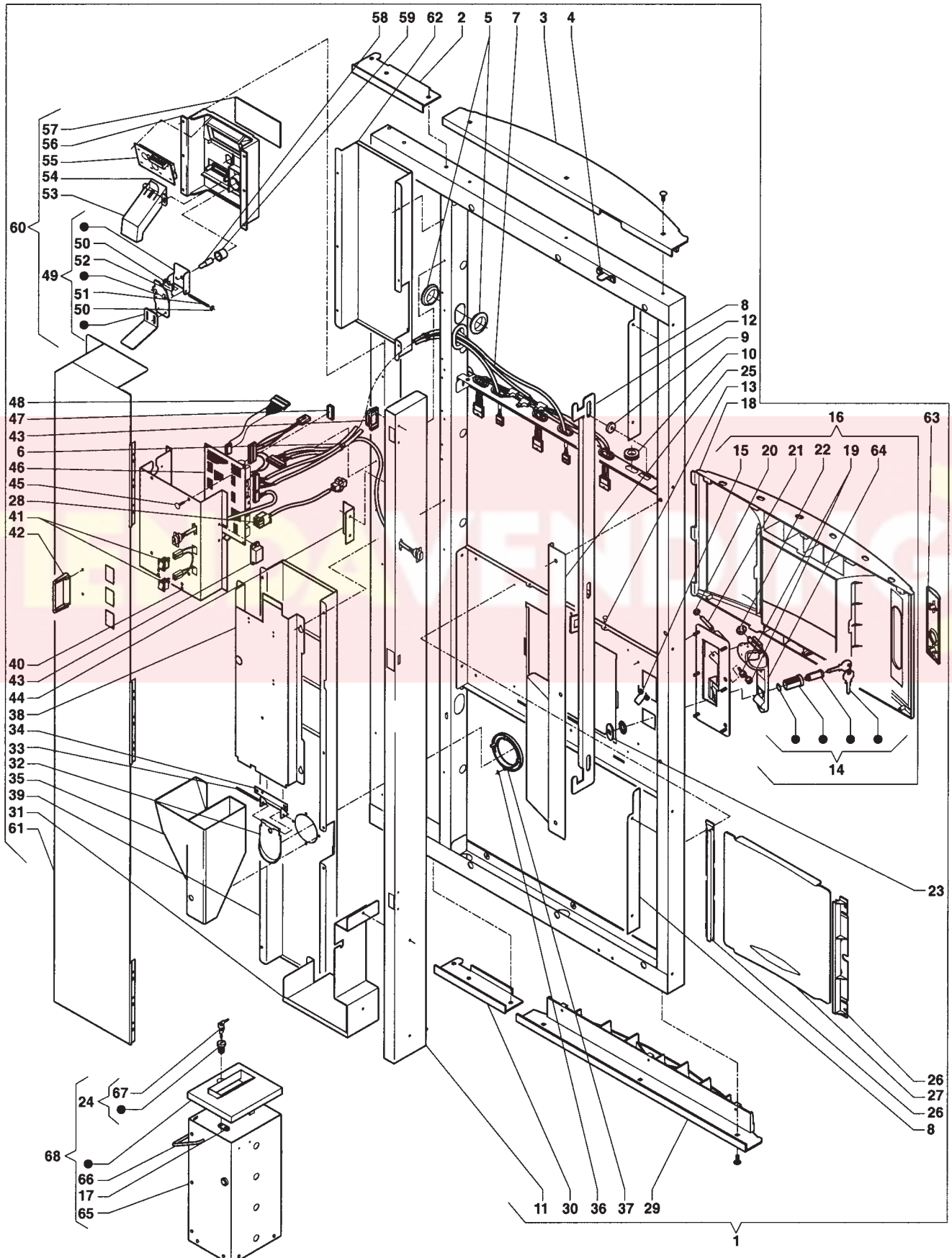


Door, internal side

2

3/6

REF.	MAKER'S CODE	LAVAZZA CODE	DESCRIPTION	NOTES
33	093891	10063033	SHUTTER PIVOT	
34	097455	10063206	MONEY RETURN SHUTTER BRACKET	
35	0V2087	10063205	CASH RETURN CHUTE	
36	093829	10063030	LEVER LOCK CLIP	
37	0V2073	10063183	COIN RETURN FRAME	
38	0V1990	10063209	COIN MECH SUPPORT	
39	0V1987	10065097	LOWER ELEMENT	
40	0V1989	10065099	DOOR BOARD SUPPORT	
41	097807	10063163	BUTTON	
42	987216	10065268	HANDLE	
43	987939	10065270	MAGNETIC LOCK	
44	0V2020	10063211	BOARD SUPPORT STOP	
45	097175	10063186	CARD SPACER	
46	0V2141	10065180	16 BIT CPU BOARD	
47	0V2287	10065215	FLASH EPROM 2MB 2048K	
48	0V2120	10065169	DISPLAY WIRING	
49	0V2164	10063164	COIN RETURN	ASSEMBLED
50	093754	10063028	BENZING COLLAR QUICKBLOCK BQ DIAM MM 3	
51	099355	10063166	CHANGE GIVING PIN	
52	099356	10063165	SPRING FOR CHANGE	
53	0V2084	10063168	LOWER COIN SLOT CHUTE	
54	099357	10063169	UPPER SLIDE	
55	0V2147	10063171	WIRED LCD DISPLAY 4X20	
56	0V4249	10065244	DISPLAY-COIN SLOT SUPPORT-BLACK-	
57	0V2069	10063173	DISPLAY GLASS	
58	099351	10063167	ACTIVATOR	
59	0V2071	10063170	COIN RETURN BUTTON	
60	0V4245	10065243	COIN SLOT ASSEMBLY -BLACK-	ASSEMBLED
61	0V1986	10065096	BOX COVER	
62	0V1988	10065098	UPPER ELEMENT	
63	0V4127	10065239	HANDLE COVERING	
64	0V2345	10065221	DOOR LOCK HANDLE	





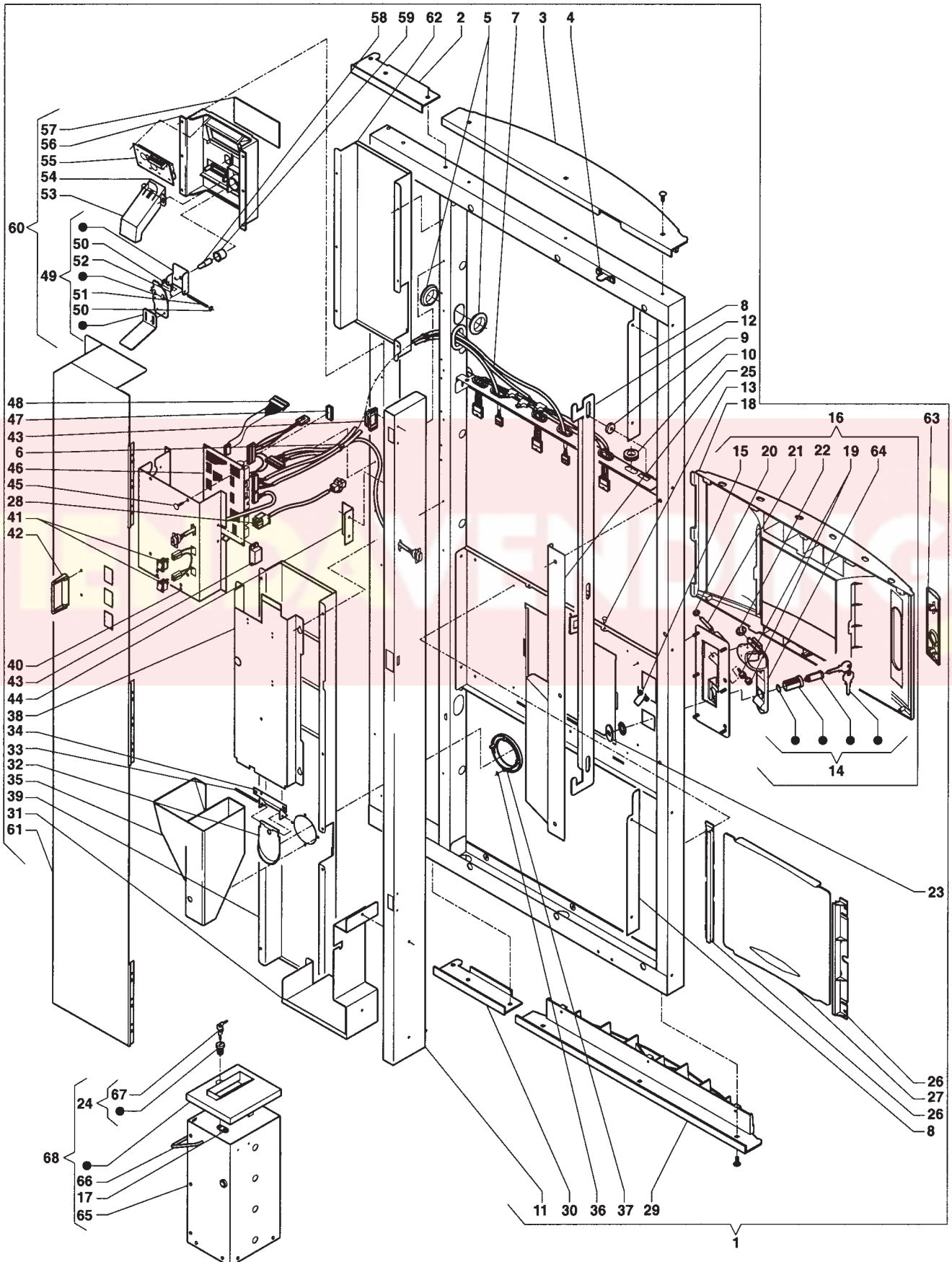
Door, internal side

2

5/6

REF.	MAKER'S CODE	LAVAZZA CODE	DESCRIPTION	NOTES
65	0V2188	10063200	COIN BOX	
66	0V2029	10063201	COIN-BOX HANDLE	
67	092218	10063204	PASSE-PARTOUT LOCK K	
68	0V2276	10065213	COIN BOX WITH LID	ASSEMBLED

TIENDA VENDING



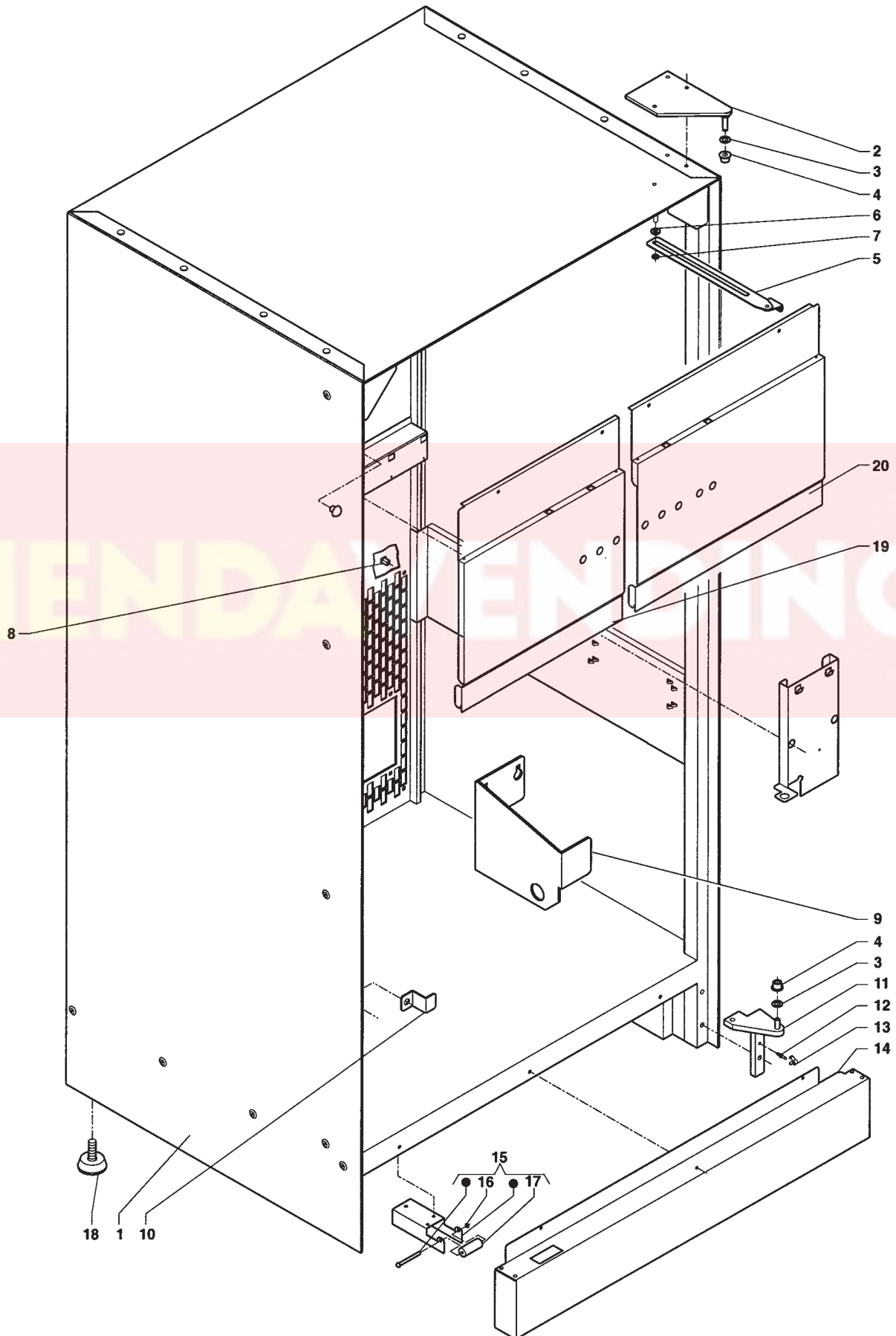


Cabinet asst

3

1/2

REF.	MAKER'S CODE	LAVAZZA CODE	DESCRIPTION	NOTES
1	0V2194	10065207	CABINET	
2	0V2162	10065192	UPPER HINGE	
3	096988	10065028	WASHER	
4	0V2044	10065134	DOOR BUSH	
5	0V2160	10063226	DOOR STOP	
6	0V2043	10065133	DOOR STOP SPACER	
7	093470	10063024	FLAT WASHER MM 6,4	
8	094111	10063040	INSULATING DOLLY BLOCK	
9		10065248	BRACKET FIXED COUPLING	
10	0V2353	10065224	LOCK COUPLER BRACKET	
11	0V2161	10065191	LOWER HINGE	
12	094159	10063044	FIXING PLUG	
13	094073	10063039	LOCK SPRING GRINDER AND COFFEE GROU	
14	0V3867	10065236	FEET COVER (BLACK)	
15	0V2166	10065194	DOOR ROLLER ASSEMBLY	ASSEMBLED
16	093198	10065010	CIRCULAR JUNK RING	
17	0V0601	10065075	ROLLER	
18	985422	10063221	ADJUSTABLE FOOT	
19	0V2001	10065107	LH COVER	
20	0V2002	10065108	RH COVER	



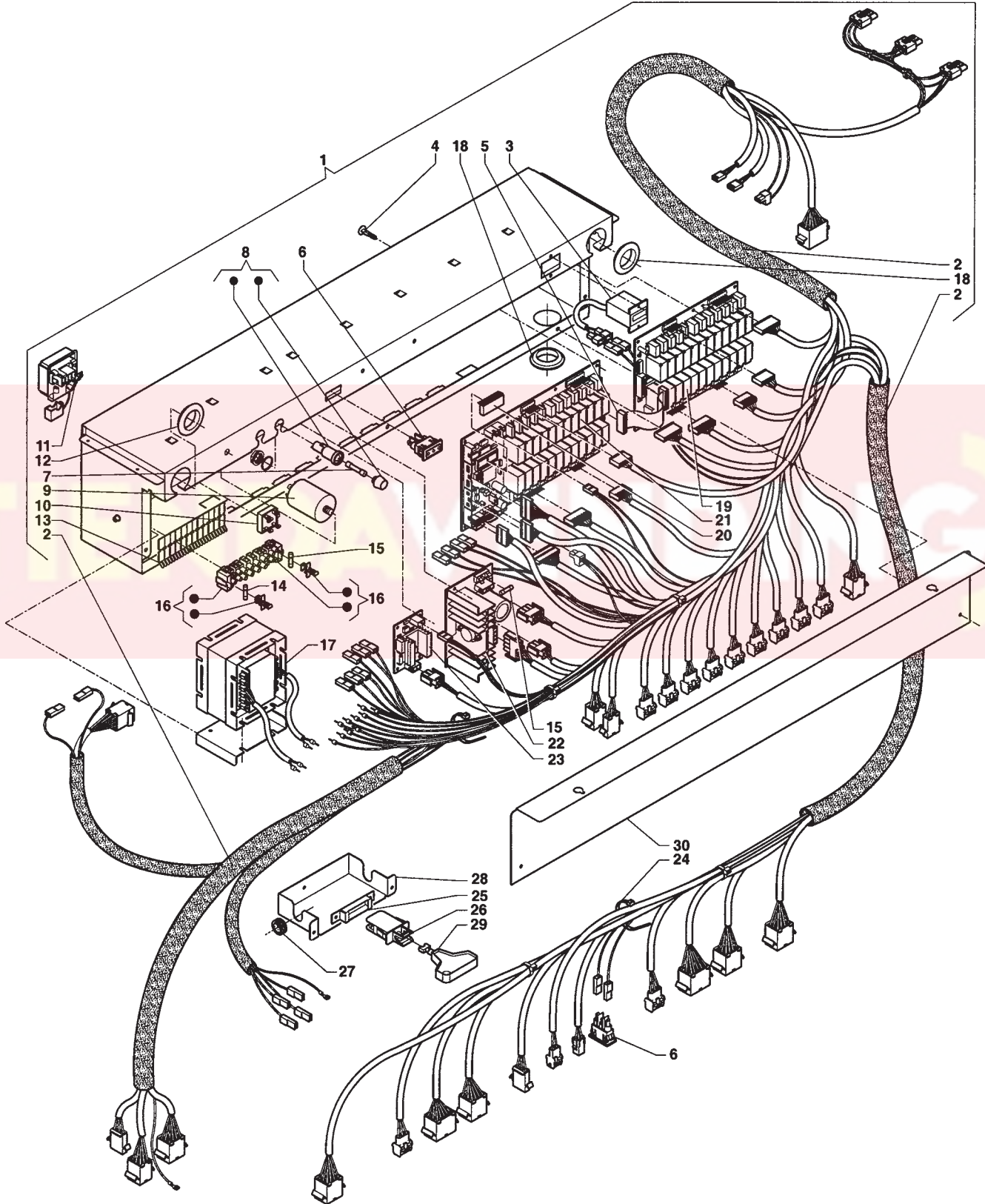


Electric system

4

1/2

REF.	MAKER'S CODE	LAVAZZA CODE	DESCRIPTION	NOTES
1	0V2125	10065174	ELECTRICAL PANEL	ASSEMBLED
2	0V2110	10065164	MAIN WIRING	
3	0V2284	10065214	SCALER 24 VOLT	
4	097175	10063186	CARD SPACER	
5	0V2124	10065173	EXPANSION BOARD WIRING	
6	096921	10063067	POWER POINT 10 AMP	
7	095636	10063056	FUSE 15 A	
8	098192	10065033	FUSE-HOLDER 15 AMP.	ASSEMBLED
9	0V3512	10063249	NET FILTER	
10	094900	10065019	DIODE BRIDGE	
11	098796	10063252	TERMINAL BOARD	
12	090020	10063000	WHIPPING MM 16	
13	097242	10063248	SUB-TERMINAL BOARD	
14	097097	10065029	FUSE 2 AMP.5X20 DELAYED ACT	
15	098170	10065032	FUSE	
16	097241	10063243	3-POLE TERMINAL BOARD W/CARRIER	ASSEMBLED
17	098435	10065034	TRANSFORMER	
18	098600	10065045	CHOCK	
19	0V2144	10065182	EXPANSION BOARD	
20	095004	10065020	EPROM 512K	
21	0V2142	10065181	CONTROL BOARD	
22	097808	10065031	FEEDING BOARD	
23	0V2143	10063251	BOILER CONTROL BOARD	
24	090148	10063002	CLIP	
25	098797	10063240	SWITCH SUPPORT	
26	097796	10063239	SWITCH	
27	090021	10063001	WHIPPING DIAM 10,5 MM	
28	0V2004	10065109	DOOR-SWITCH COVER	
29	0V1654	10063238	SWITCH KEY	
30	0V1983	10065095	ELECTRICAL PANEL COVER	



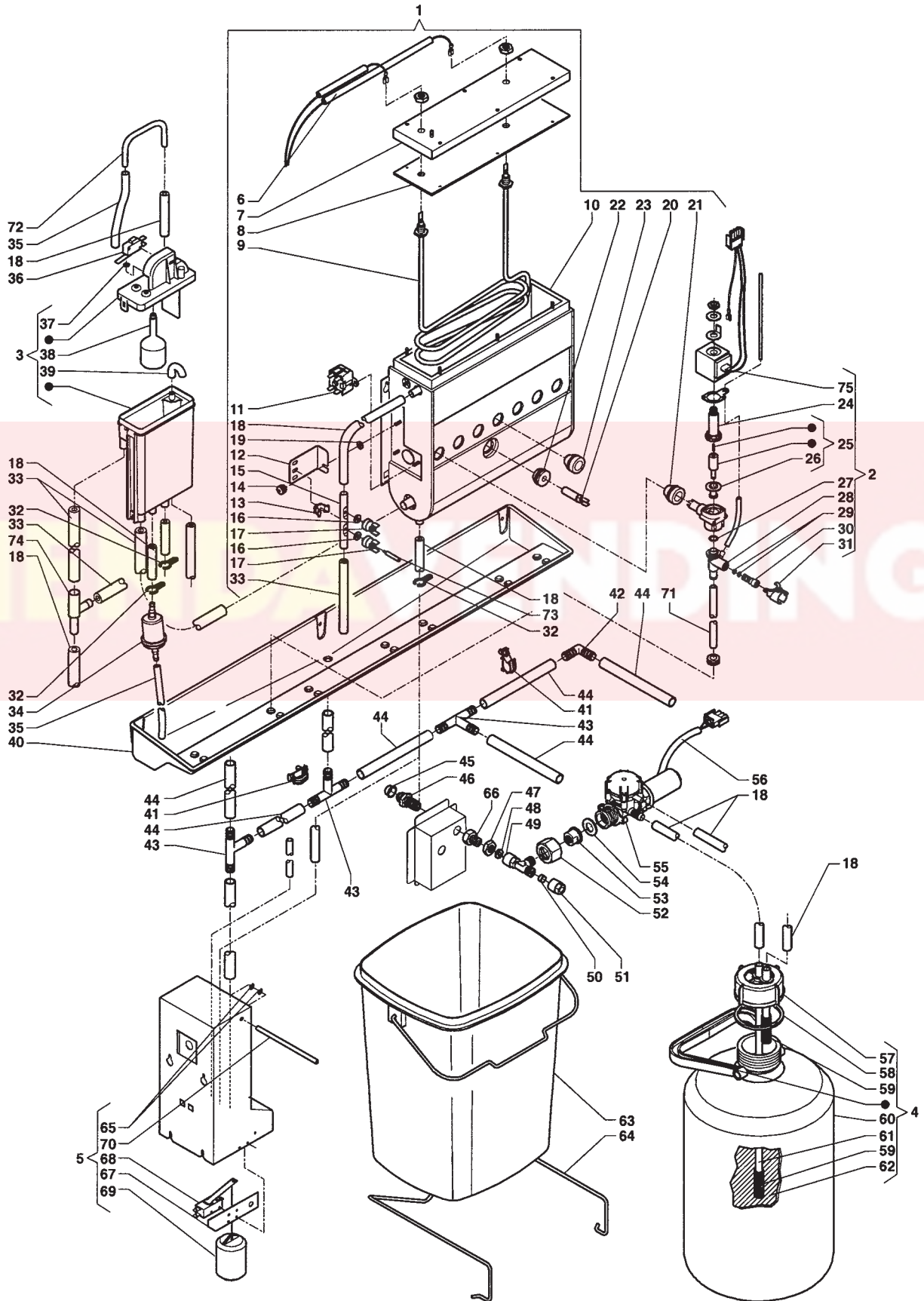


Hydraulic system

5

1/6

REF.	MAKER'S CODE	LAVAZZA CODE	DESCRIPTION	NOTES
1	0V2100	10063254	INSTANT BOILER ASSEMBLY	ASSEMBLED
2	0V2153	10063255	INSTANT PROD. ELECTROVALVE	ASSEMBLED
3	0V1133	10063257	AIR-BREAK ASSEMBLY	ASSEMBLED
4	094124	10063041	DEPURATOR COMPLETE	ASSEMBLED
5	0V2102	10065157	FLOAT ASSEMBLY	ASSEMBLED
6	0V2118	10063258	INSTANT BOILER WIRING	
7	0V2155	10063259	BOILER LID	
8	0V2055	10063260	BOILER LID SEAL	
9	0V2109	10063261	2000W- 220V HEATING ELEMENT	
10	0V2193	10063262	BOILER ASSEMBLY	
11	0V1364	10063282	105 DEGREE SAFETY THERMOSTAT	
12	099916	10063286	THERMOSTAT SUPPORT	
13	098484	10063283	HOSE FIXING	
14	097699	10063284	KNURL M4	
15	099458	10065062	THERMOSTAT TUBE	
16	094597	10063052	COPPER WASHER	
17	0V2129	10063280	THERMOSTAT 82 GR.	
18	097512	10063277	SILICONE HOSE 6X12 BROWN	
19	093179	10063021	INSULATING WASHER MOTOREDUCTER	
20	0V0157	10063265	FEELER	
21	099847	10063266	GASKET	
22	099918	10063263	GASKET FOR FEELER	
23	099928	10063264	STOPPER GASKET	
24	0V3552	10063268	VALVE BUSH	
25	0V3550	10065235	COMPLETE PISTON	ASSEMBLED
26	0V3551	10063269	MEMBRANE-GASKET	
27	0V3554	10063270	O-RING	
28	0V3553	10063271	ELECTROVALVE BODY	
29	099064	10063272	ADJUSTING-SCREW-GASKET	
30	0V3555	10063273	ADJUSTING SCREW	
31	0V3556	10063274	LOWER BODY STOPPING	
32	092703	10063016	TUBE CLAMP	



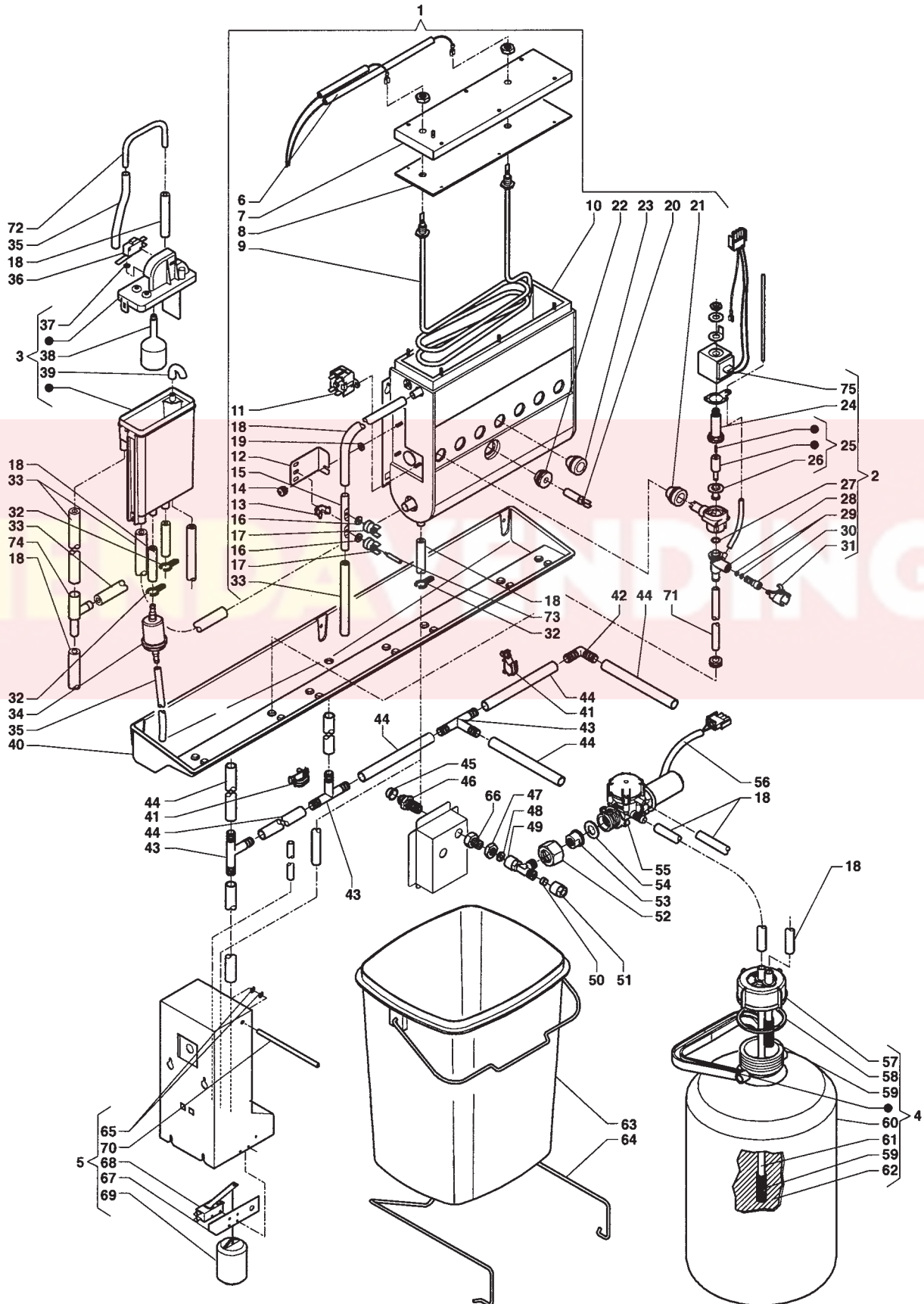


Hydraulic system

5

3/6

REF.	MAKER'S CODE	LAVAZZA CODE	DESCRIPTION	NOTES
33	097515	10063279	SILICONE HOSE 10X16 BROWN	
34	097435	10063291	WATER FILTER VOLUMETRIC COUNTER	
35	097510	10063302	SILICONE HOSE 5X9 BROWN	
36	0V1141	10063287	MICROSWITCH	
37	090421	10063005	GASKET	
38	0V1126	10063290	AIR-BREAK FLOAT	
39	0V1749	10063289	WATER/AIR-BREAK CONNECTION	
40	0V4223	10065241	BOILER - AIR BREAK TRAY	
41	098459	10063292	WIRE-CLIP	
42	094571	10063049	UNION 90 DEGREES	
43	096552	10063065	UNION T-SHAPE	
44	093628	10063025	HOSE VIPLA TRANSPARENT DIAM MM 14X1	
45	099805	10065068	STOPPER	
46	0V2199	10065209	UNION 1/4	
47	092652	10065005	LOCK NUT 1/4 REV	
48	092388	10065004	TIGHTENING RING	
49	095586	10065021	BANJO UNION T-SHAPE	
50	096656	10065027	PLUG COLLAR	
51	092387	10065003	TIGHTENING NUT	
52	093951	10065013	TIGHTENING NUT G 3/4	
53	093952	10065014	WATER INLET CONNECTION NIPPLE	
54	092364	10065002	UNION GASKET 3/4	
55	0V2154	10065188	WATER INLET ELECTROVALVE	
56	0V2119	10065168	ELECTROVALVE WIRING	
57	094126	10063042	DEPURATOR LID	
58	092942	10063020	DEPURATOR COVERING GASKET	
59	091993	10063011	DEPURATOR FILTER	
60	094125	10063297	DEPURATOR RECIPIENT	
61	094127	10063043	WATER OUTLET PIPE	
62	091995	10063298	RESIN DEPURATOR 5 LITRES	
63	097530	10063299	SQUARE WASTE BASKET BROWN	
64	0V2030	10065123	LIQUID CONTAINER STOP	





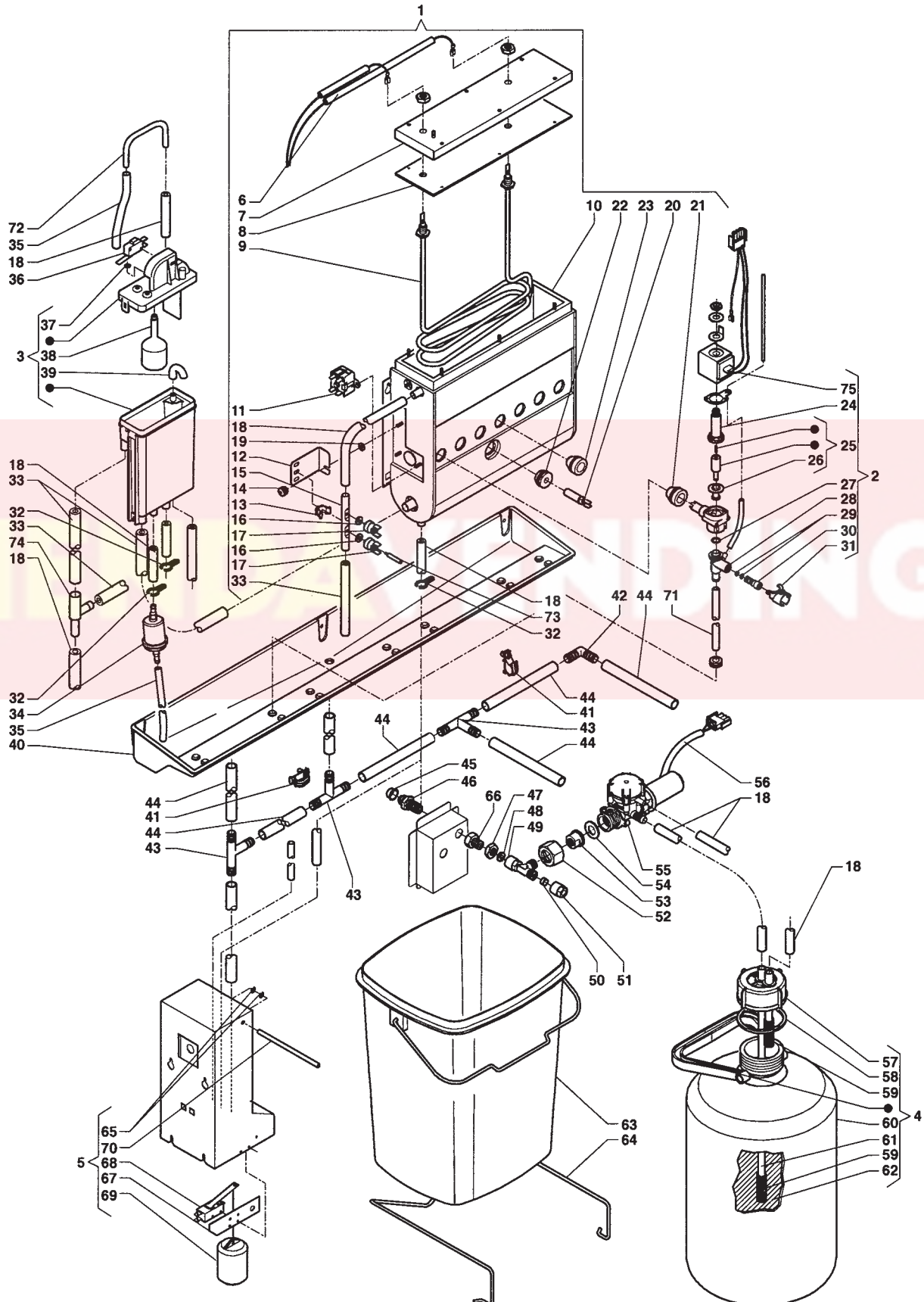
Hydraulic system

5

5/6

REF.	MAKER'S CODE	LAVAZZA CODE	DESCRIPTION	NOTES
65	091287	10063330	OUTER FIXING COLLAR	
66	0V1400	10065078	STRAIGHT CONNECTOR	
67	092761	10063019	INSULATING DISK	
68	093308	10063022	MICROSWITCH SERIE RLL/D	
69	094294	10063295	FLOAT	
70	0V2357	10065226	PIN	
71	097511	10063275	SILICONE HOSE 6X9 BROWN	
72	097970	10063301	PIPE FOR COIL	
73	0V2074	10063278	THERMOSTAT ACTUATOR	
74	094185	10063045	CODENSE RECOVERY UNION	
75	0V3359	10063267	ELECTROVALVE COIL	

TIENDA VENDING



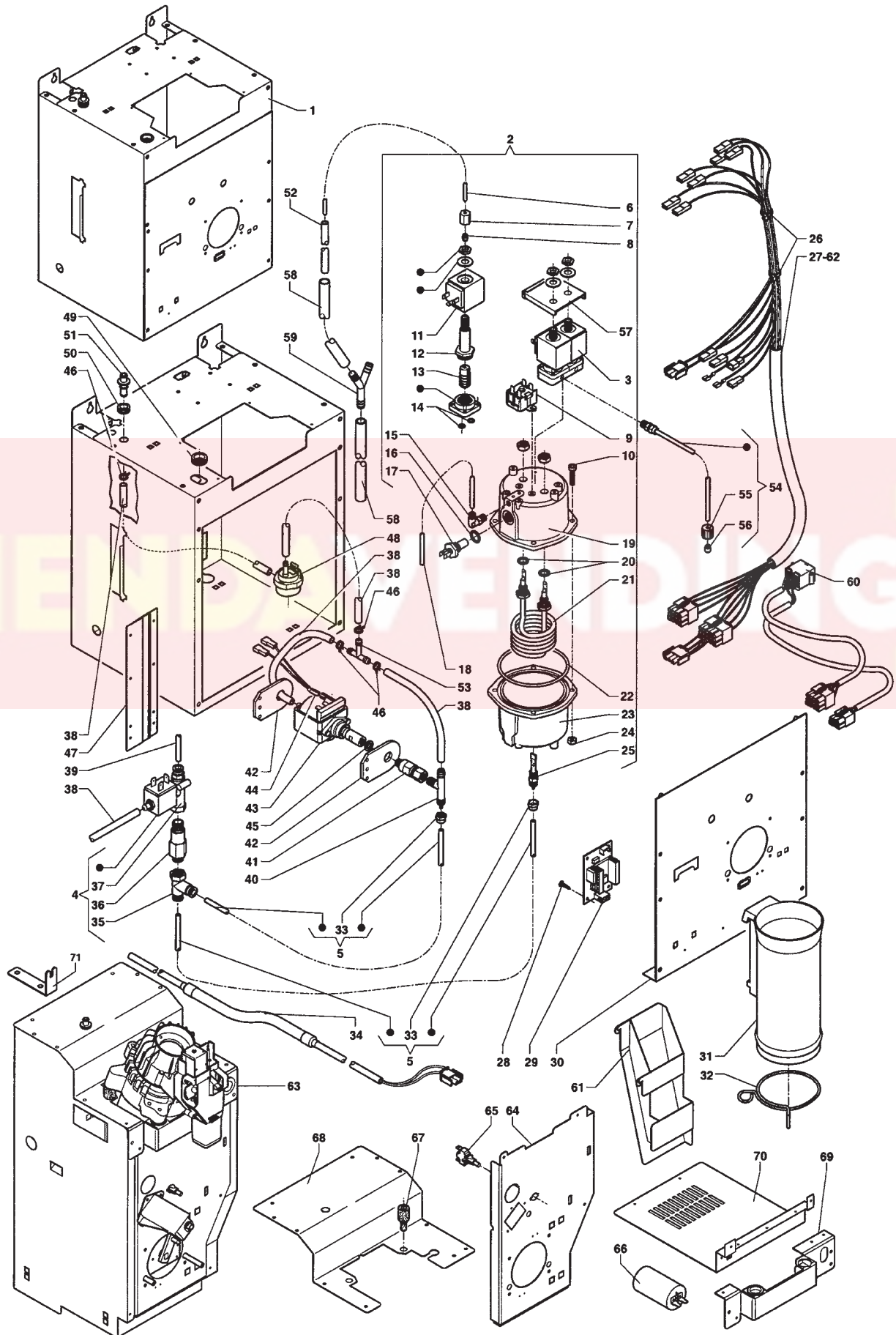


Coffee dispenser

6

1/6

REF.	MAKER'S CODE	LAVAZZA CODE	DESCRIPTION	NOTES
1		10065255	COFFEE-ESPRESSO DOUBLE BRACKET -LAVAZZA-	
2		10065256	COFFEE BOILER 600 C.C. -LAVAZZA-	ASSEMBLED
3	0V2256	10065211	DOUBLE ELECTROVALVE BLOCK	
4		10063113	3 WAY ELECTROVALVE ASSY. + UNION	ASSEMBLED
5		10063116	PIPE PUMP/BOILER	ASSEMBLED
6	092068	10063012	TEFLON PIPE DIAM MM 2X4	
7	093636	10063027	TIGHTENING NUT ELECTR. DE-AERATION	
8	093635	10063026	TIGHTENING RING ELECTRICAL DE-AERAT	
9	0V1318	10063304	125 DEGR. THERMOSTAT	
10	096194	10063063	SCREW M6X25	
11	099057	10063305	ELECTROV.-COIL 220/230 VOLT	
12	250016	10063306	3-WAY ELECTROVALVE PIPE	
13	250348	10063307	3-WAY ELECTROVALVE NUCLEUS- RUBY-	
14	090421	10063005	GASKET	
15	0V2509	10063308	UNION L-SHAPE 5X1/8	
16	095624	10063055	GASKET O-RING 119 EP851	
17	094872	10063054	BOILER TEMPERATURE PROBE	
18	250086	10063309	TEFLON-PIPE MM 2.5X5 (A METER)	
19	099747	10063310	UPPER BOILER-COVER	
20	092140	10063013	GASKET O-RING 112	
21	099653	10063311	HEATING ELEMENT 1450 W	
22	099748	10063288	GASKET	
23	099746	10063312	LOWER BOILER-COVER	
24	985318	10063313	NUT	
25	098758	10063314	STRAIGHT UNION	
26	090148	10063002	CLIP	
27		10065252	BRACKET WIRING	
28	097175	10063186	CARD SPACER	
29	0V2143	10063251	BOILER CONTROL BOARD	
30		10063115	BRACKET SLIDER	
31	094047	10063037	PASTILLE BAG HOSE	
32	094048	10063038	BAG LOCK COLLAR	



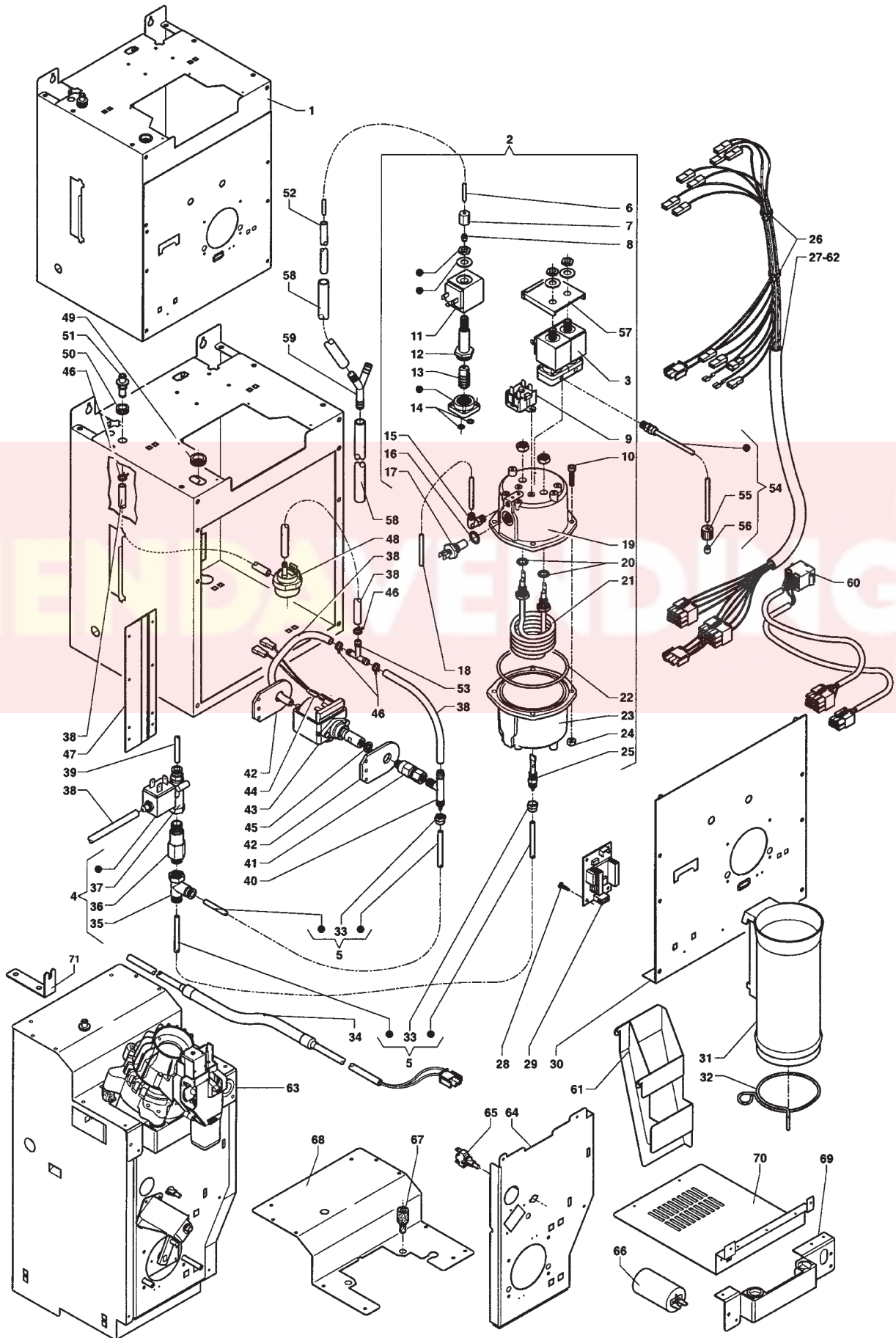


Coffee dispenser

6

3/6

REF.	MAKER'S CODE	LAVAZZA CODE	DESCRIPTION	NOTES
33	099107	10063315	NUT	
34		10065253	COFFEE DISPENSING PIPE	
35	0V4278	10063316	UNION - T - 6X1/8	
36	0V4295	10063317	NON RETURN VALVE. F/M 1/8	
37		10063077	6x1/8" QUICK COUPLING - MALE	
38	097510	10063302	SILICONE HOSE 5X9 BROWN	
39	098695	10063318	TEFLON PIPE 3X6 (A METER)	
40	098764	10063319	BY-PASS PUMP	
41	099101	10063320	NO-RITURN VALVE	
42	0V4275	10063321	SUPPORT PUMP	
43	098760	10063322	PUMP (VIBRATION)	
44	098815	10063323	THERMIC PROTECTION	
45	251143	10063498	ALUMINIUM WASHER	
46	094329	10063047	HOSE CLIP	
47		10063114	SLIDER HINGE	
48	098707	10063324	VOLUMETRIC COUNTER	
49	090020	10063000	WHIPPING MM 16	
50	0V2127	10063325	FAIRLEAD	
51	0V2058	10063326	BRACKET WATER CONNECTION	
52	097529	10063327	SILICONE HOSE 3X6 BROWN	
53	094231	10063046	UNION T-SHAPE	
54		10065254	PISTON-PIPE	ASSEMBLED
55	098699	10065054	UNION FOR PISTON PIPE	
56	098711	10065056	BUSH PISTON PIPE	
57		10065267	DOUBLE ELECTRIC VALVE COVERING	
58	094386	10065017	HOSE VIPLA MM 6X9	
59	095513	10064073	UNION Y-SHAPE	
60		10065251	BRACKET CONNECTION WIRING	
61		10065257	COFFEE GROUNDS DISCHARGE	
62	0V2254	10065210	DOUBLE ESPRESSO BRACKET SUPPORT	
63	0V2260	10065212	RH COFFEE BRACKET FOR D. COFFEE VER	
64	0V2191	10065206	BRACKET SLIDER	





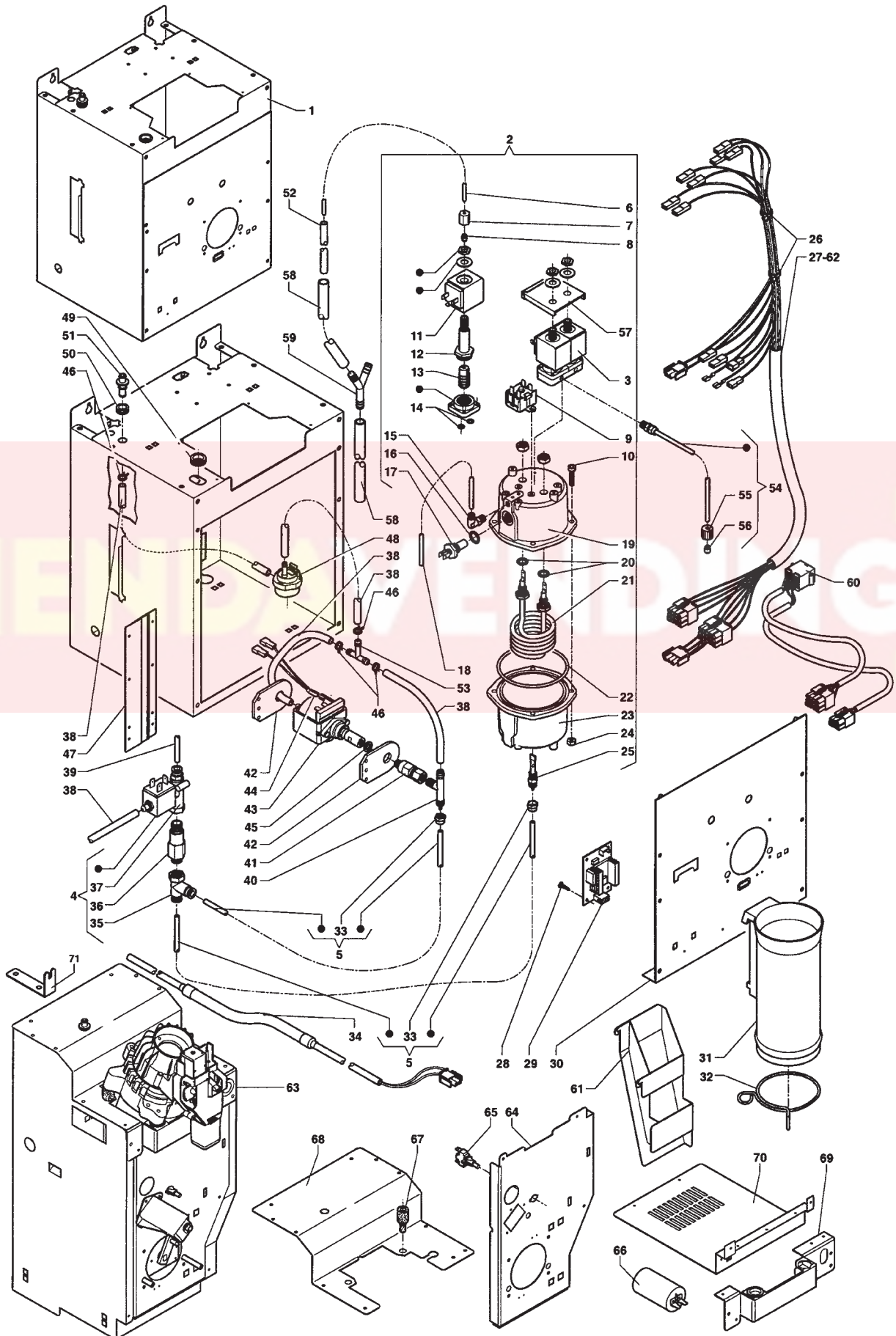
Coffee dispenser

6

5/6

REF.	MAKER'S CODE	LAVAZZA CODE	DESCRIPTION	NOTES
65	099619	10065066	PUSH BUTTON	
66	0V2152	10065187	CAPACITOR 20MF 500V	
67	099484	10065064	LITTLE RUBBER	
68	0V2024	10065120	UPPER COVER	
69	0V2159	10065190	GRINDER MOTOR SUPPORT	
70	0V2023	10065119	LOWER COVER	
71	0V2310	10065216	SUPPORT	

TIENDA VENDING



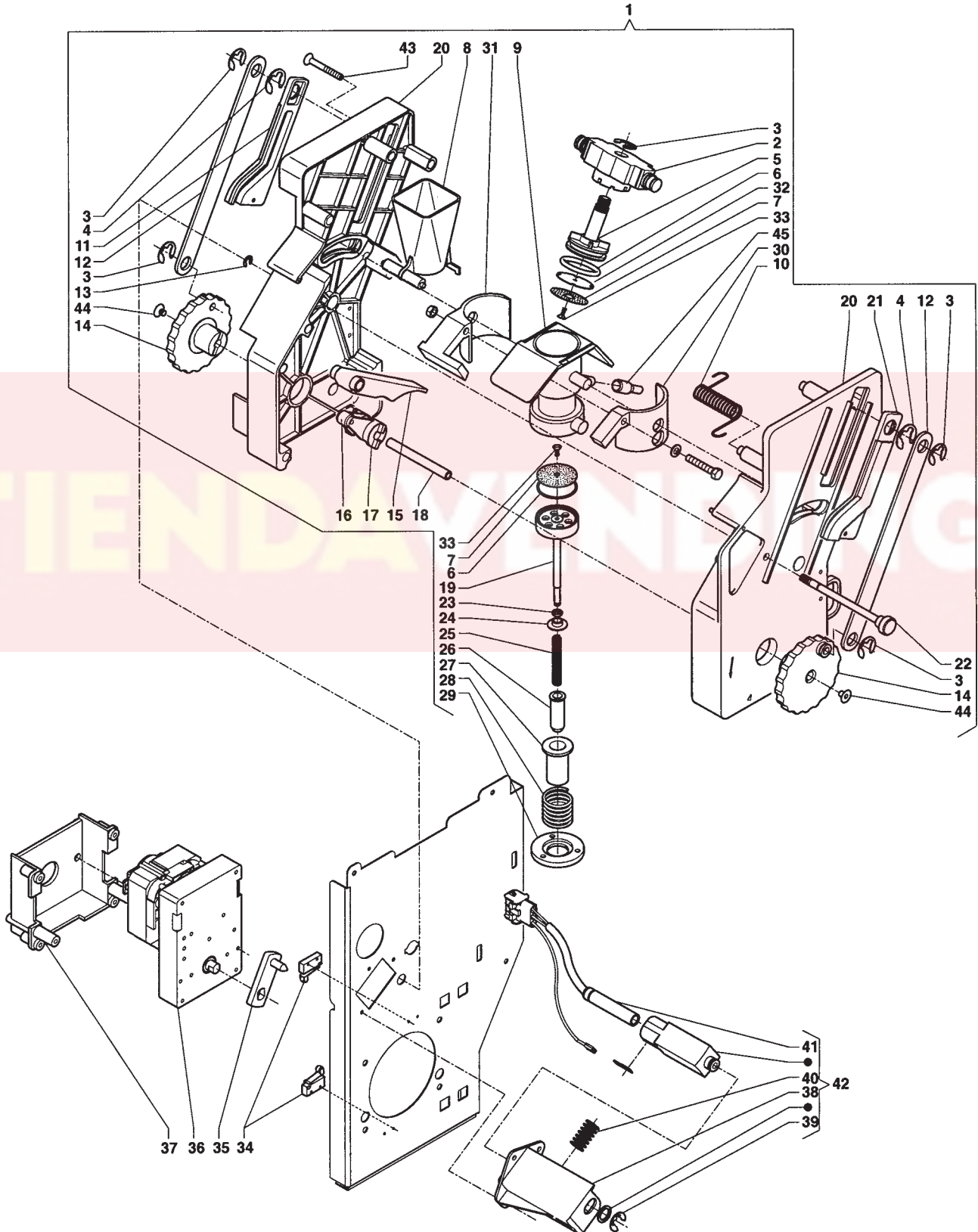


Coffee unit

7

1/4

REF.	MAKER'S CODE	LAVAZZA CODE	DESCRIPTION	NOTES
1	0V1678	10065081	Z2000M UNIT/CHAMBER HEATED	ASSEMBLED
2	098568	10065040	CROSS-BAR	
3	092717	10063017	FIXING COLLAR DIAM MM10	
4	096569	10065025	FIXING COLLAR DIAM 12	
5	098577	10065044	UPPER PISTON	
6	093167	10065008	SILICONE GASKET OR 4118	
7	098687	10065050	COFFEE FILTER	
8	098570	10065042	COFFEE CHUTE	
9	0V1715	10065083	BREWING CHAMBER W/PLUG	
10	098920	10065060	SCRAPER	
11	098571	10063344	REAR SLEDGE	
12	098565	10063328	TRACE FOR PISTON COMMAND	
13	098818	10063332	STOPPING RING D.4	
14	098573	10065043	CRANK	
15	098575	10063331	OSCILLATING LEVER	
16	098692	10063340	ROTATING LEVER ROLL	
17	098574	10063339	ROTATING LEVER	
18	098693	10063338	ROD CRANK BLOCKING	
19	099490	10065065	LOWER PISTON	
20	0V1714	10065082	FRONT AND REAR SHOULDER	
21	098572	10063329	FRONT SLEDGE	
22	098694	10065053	ROD WITH KNURL	
23	090421	10063005	GASKET	
24	098690	10065052	CONTROL BUSH	
25	098688	10063336	PISTON RETURN SPRING	
26	098691	10063335	LOWER PISTON GUIDE	
27	098567	10065039	LID FOR SPRING	
28	098689	10065051	PREINFUSION SPRING	
29	098569	10065041	FLANGE FOR SPRING	
30	0V1784	10065085	Z2000M FRONT PANEL	
31	0V1785	10065086	Z2000M REAR PANEL	
32	0V1789	10065090	WATER DEFLECTOR	



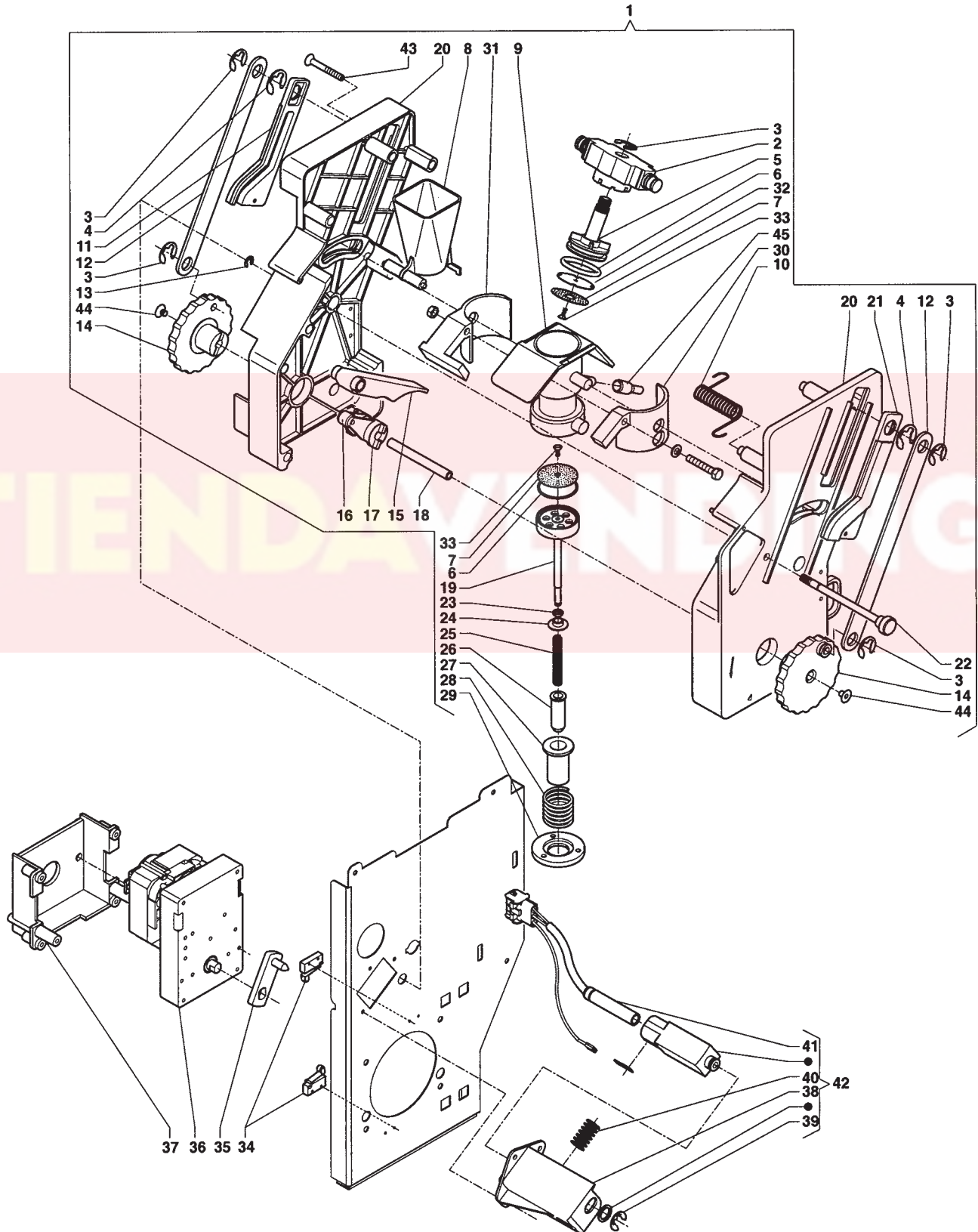


Coffee unit

7

3/4

REF.	MAKER'S CODE	LAVAZZA CODE	DESCRIPTION	NOTES
33	0V1963	10065092	S/S M3X10 SCREW	
34	096355	10063499	MICRO SWITCH	
35	098763	10063342	CRANK WITH PIN	
36	098708	10065055	MOTOREDUCER	
37	098566	10063343	MOTOREDUCER SUPPORT	
38	0V1787	10065088	SUPPORT	
39	987948	10065271	LOCKING WASHER	
40	0V1788	10065089	CONTACT SPRING	
41	0V1786	10065087	25 WATT 110/265 V RESISTOR	
42	0V1783	10065084	Z2000M HEATER SUPPORT	ASSEMBLED
43	250290	10063341	SCREW 4.2X26	
44	0V3889	10063333	SCREW 6X14	
45	0V2359	10065227	BREWING CHAMBER REDUCTION	



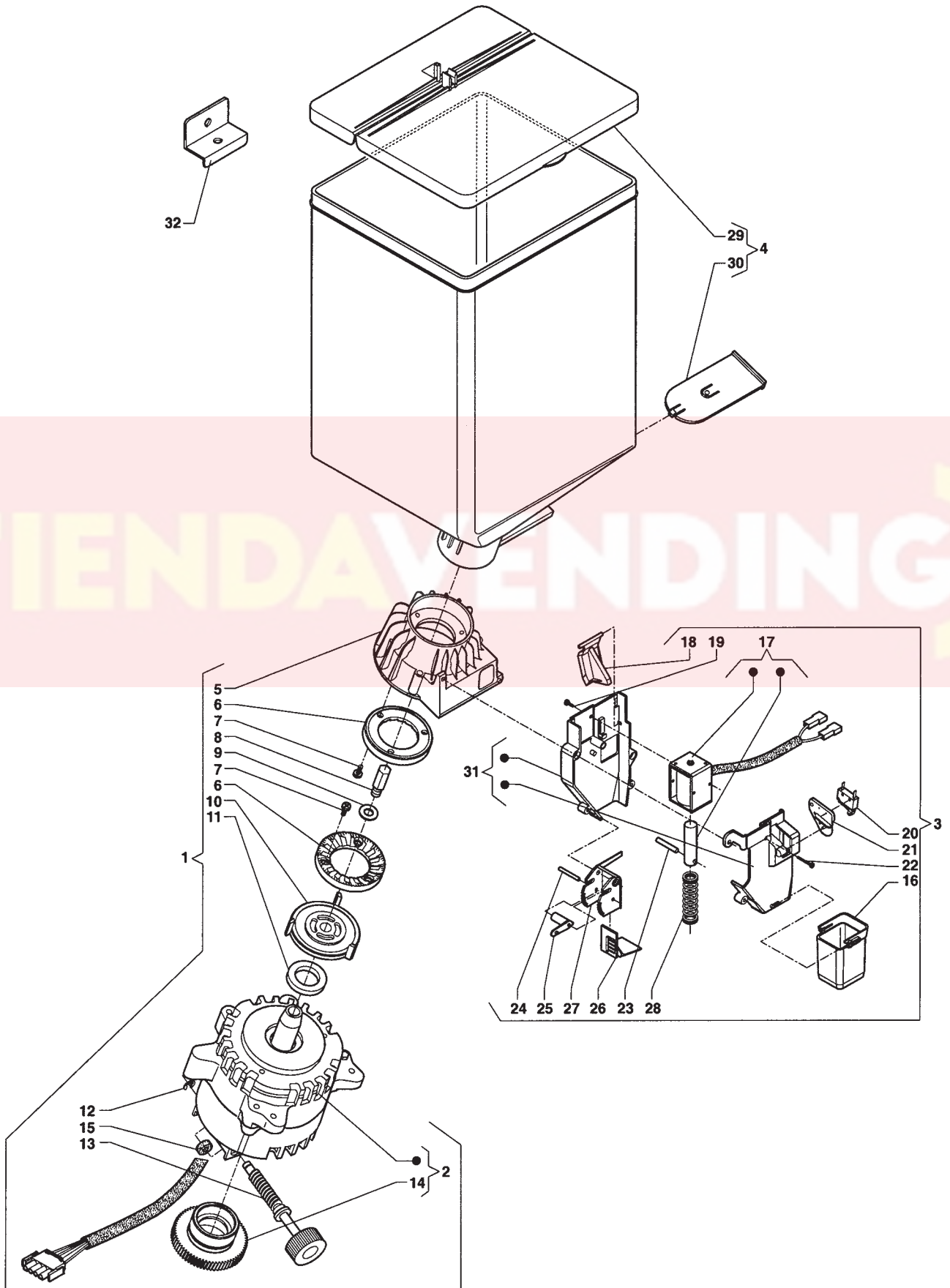


Grinder doser unit

8

1/2

REF.	MAKER'S CODE	LAVAZZA CODE	DESCRIPTION	NOTES
1	0V2180	10065198	GRINDER ASSEMBLY	ASSEMBLED
2	0V2106	10065161	GRINDER MOTOR	ASSEMBLED
3	0V2179	10065197	COFFEE DOSER UNIT ASSEMBLY	ASSEMBLED
4	0V2182	10065199	COFFEE CONTAINER	ASSEMBLED
5	0V2337	10065217	GRINDER-CAP	
6	095840	10065023	GRINDER	
7	095809	10065022	SELF-THREADING SCREW (M4)	
8	0V2031	10065124	LEFT-HAND SCREW THREAD	
9	096988	10065028	WASHER	
10	0V2026	10065121	GRINDER-HOLDER FAN	
11	0V2080	10065150	COFFEE SEAL RING	
12	093171	10065009	OUTER FIXING COLLAR DIAM MM6	
13	099474	10065063	REGULATION SCREW	
14	0V2078	10065149	ADJUSTING KNOB	
15	099457	10065061	WASHER	
16	0V2045	10065135	DOSER UNIT EXTENSION	
17	098716	10063347	ELECTROMAGNET 220V	ASSEMBLED
18	0V2061	10065141	MICRO-SWITCH ACTUATOR	
19	092657	10063015	CLOSS SLOT SCREW 3X6TC.	
20	0V2131	10065177	BURGESS MICRO-SWITCH	
21	0V2082	10065151	ADAPTER PLATE	
22	096097	10065024	SCREW	
23	093832	10063031	ROD PIVOT	
24	098822	10065059	PIN FOR LEVER	
25	098644	10065049	LEVER FOR RULE	
26	098643	10065048	RULE COFFEE-DOSES	
27	098642	10065047	SHUTTER COFFEE-DOSER	
28	098696	10063346	SPRING DOSER ELECTROMAGNET	
29	0V2083	10065152	COFFEE CONTAINER LID	
30	098630	10065046	ROLL-UP FOR CONTAINER	
31	251128	10065246	COFFEE DOSER-BODY	ASSEMBLED
32		10065249	CANISTER COUPLING	



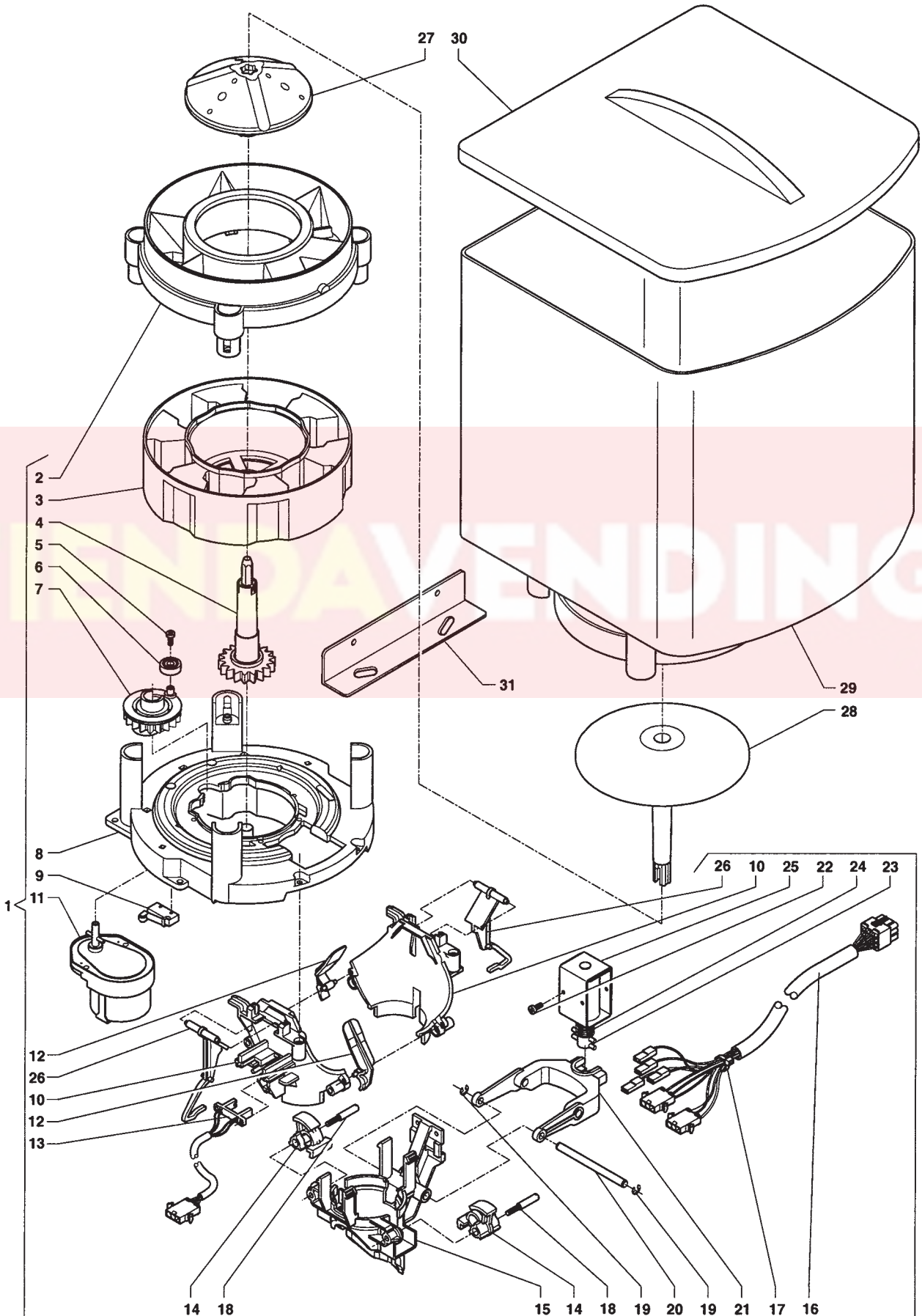


Capsule dispenser

9

1/2

REF.	MAKER'S CODE	LAVAZZA CODE	DESCRIPTION	NOTES
1		10063071	CAPSULE DISPENSER	ASSEMBLED
2		10063102	SEPARATOR	
3		10063101	DISCHARGE SELECTION DISK	
4		10063099	AGITATOR PIN GEAR	
5	987628	10063500	EJOT-PT-SCREW 30X8	
6	099957	10063345	BEARING	
7		10063100	HANDLE GEAR	
8		10063098	DISCHARGE RING BASE	
9	0V1931	10063501	MICROSWITCH "UL"	
10		10063105	RH-LH CONNECTION	
11		10063106	12 RPM CAPSULE GEARMOTOR	
12		10063107	CAPSULE DIASCHARGE TILTING LEVER	
13		10063090	PHOTOCELL	
14		10063110	CAPSULE RELEASE LEVER	
15		10063108	CAPSULE RELEASE DISCHARGE TUBE	
16		10063083	CAPSULE RELEASE UNIT WIRING	
17	090148	10063002	CLIP	
18		10063095	CAPSULE RELEASE LEVER PIN	
19	091959	10063010	BENZING COLLAR DIAM MM4	
20	0V1962	10063403	PIN FOR WHEEL	
21		10063109	CAPSULE RELEASE CONTROL LEVER	
22	092657	10063015	CLOSS SLOT SCREW 3X6TC.	
23	093832	10063031	ROD PIVOT	
24	098696	10063346	SPRING DOSER ELECTROMAGNET	
25	098716	10063347	ELECTROMAGNET 220V	
26		10063082	CAPSULE SENSOR LEVER	
27		10063103	CONTAINER AGITATOR	
28		10063104	CONTAINER SHUTTER	
29		10063097	450 CAPSULE CONTAINER	
30		10063096	CAPSULE CONTAINER COVER	
31	250668	10065245	COUPLING BRACKET	



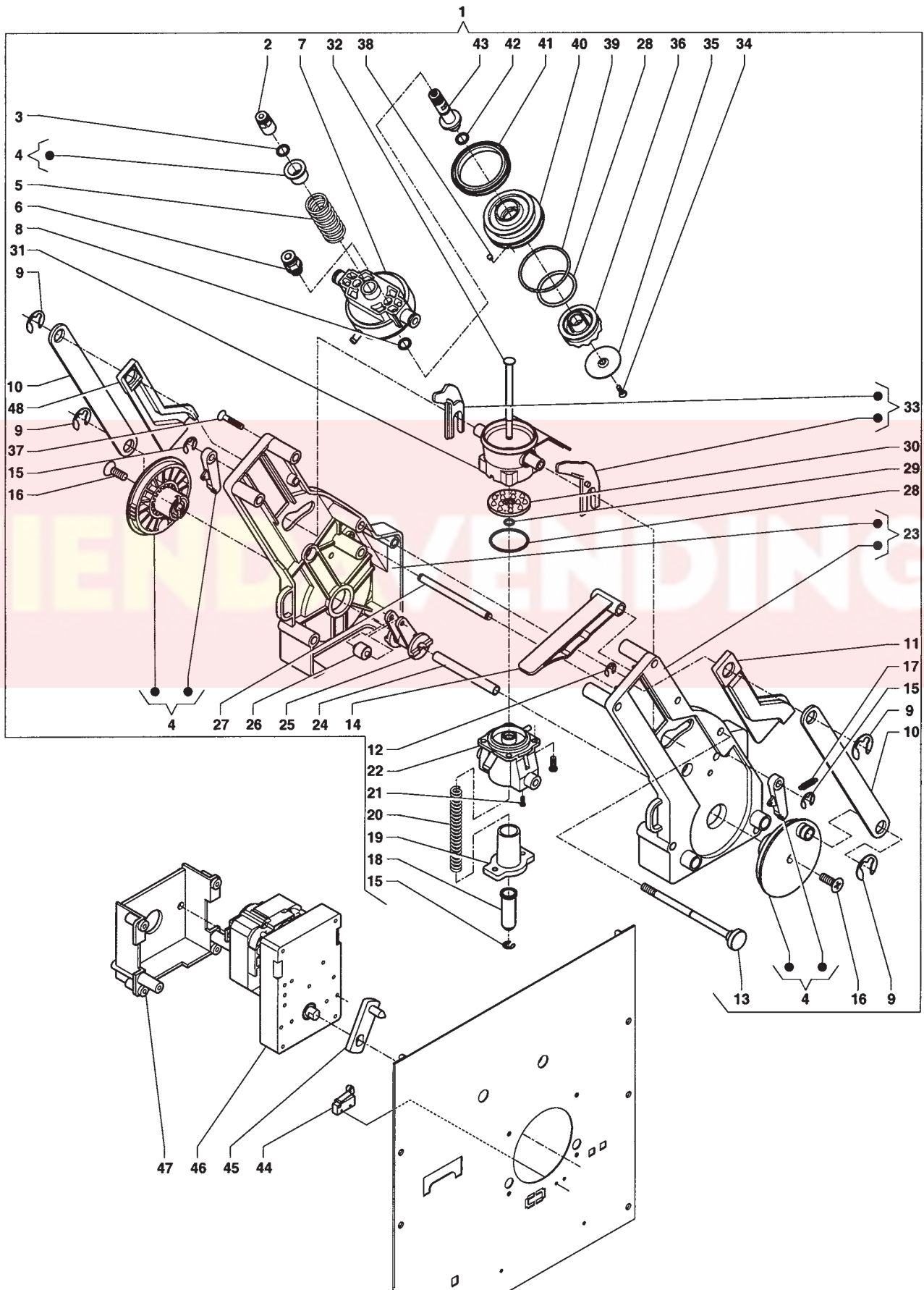


Espresso capsule assy

10

1/4

REF.	MAKER'S CODE	LAVAZZA CODE	DESCRIPTION	NOTES
1		10063093	ESPRESSO CAPSULE ASSY	ASSEMBLED
2		10063078	5x1/8" QUICK COUPLING - FEMALE	
3	094611	10063053	GASKET O-RING	
4		10063081	PLATE - HANDLE - LOCK ASSY	ASSEMBLED
5		10063074	PISTON RETURN SPRING	
6		10063077	6x1/8" QUICK COUPLING - MALE	
7		10063073	UPPER CYLINDER	
8	094594	10063051	GASKET O-RING	
9	092717	10063017	FIXING COLLAR DIAM MM10	
10	098565	10063328	TRACE FOR PISTON COMMAND	
11	098572	10063329	FRONT SLEDGE	
12	091287	10063330	OUTER FIXING COLLAR	
13		10063094	TIEROD WITH KNURLED NUT	
14	098575	10063331	OSCILLATING LEVER	
15	098818	10063332	STOPPING RING D.4	
16	0V3889	10063333	SCREW 6X14	
17	987839	10063334	RETURN SPRING	
18	098691	10063335	LOWER PISTON GUIDE	
19		10063088	BOTTOM	
20	098688	10063336	PISTON RETURN SPRING	
21	097879	10063337	NICKELPLATED SCREW	
22		10063085	BREWING CHAMBER SUPPORT	
23		10063092	RH-LH SUPPORT	ASSEMBLED
24	098693	10063338	ROD CRANK BLOCKING	
25	098574	10063339	ROTATING LEVER	
26	098692	10063340	ROTATING LEVER ROLL	
27		10063075	HANDLE STOP PIN	
28		10063080	O-RING - 29.3X3.6 UL	
29	090421	10063005	GASKET	
30		10063084	LOWER FILTER	
31		10063086	BREWING CHAMBER	
32		10063076	LOWER PISTON EJECTOR	



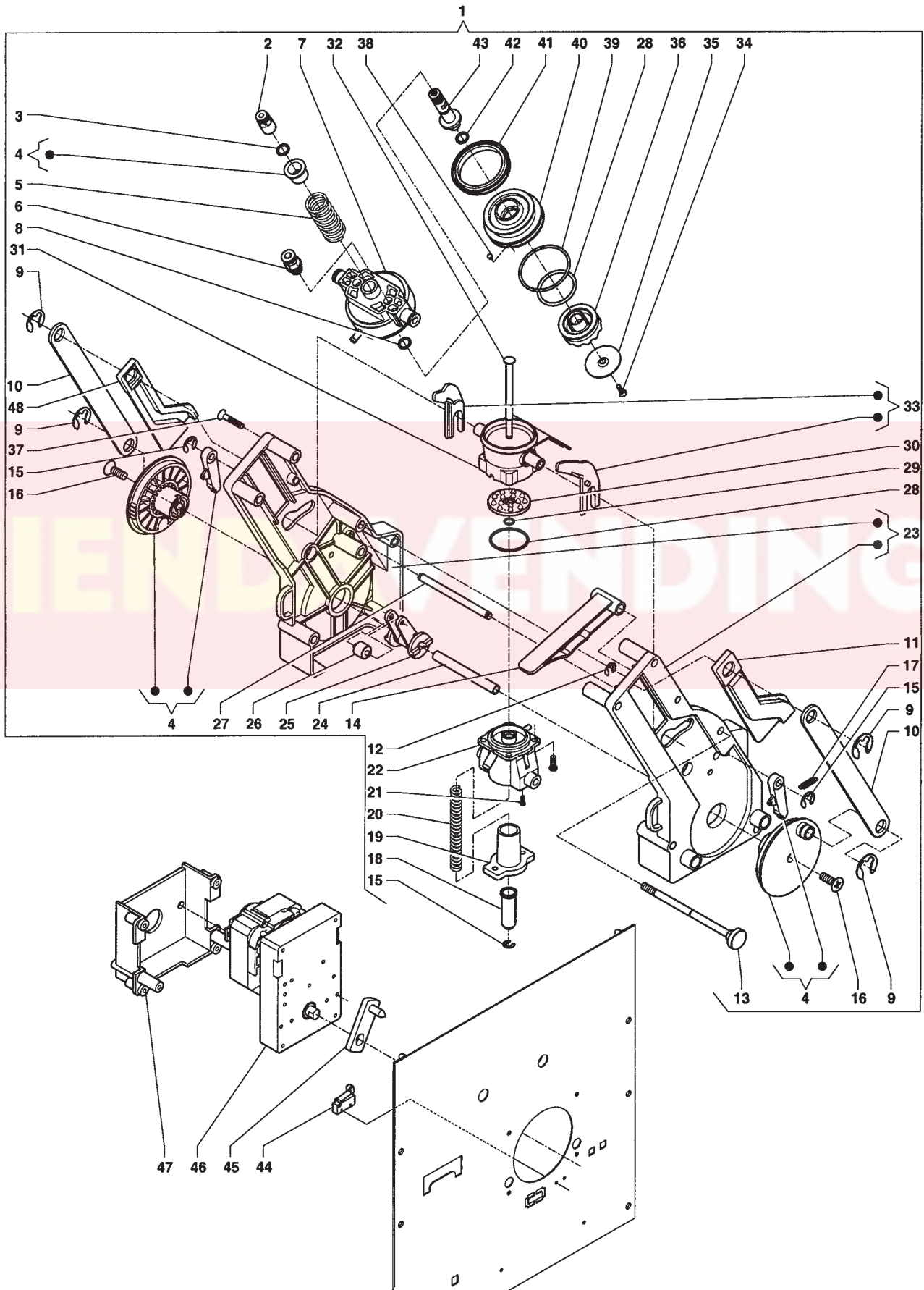


Espresso capsule assy

10

3/4

REF.	MAKER'S CODE	LAVAZZA CODE	DESCRIPTION	NOTES
33		10063091	RH-LH EJECTOR LEVER	ASSEMBLED
34	0V1963	10065092	S/S M3X10 SCREW	
35		10063072	UPPER FILTER	
36		10063089	INNER PISTON	
37	250290	10063341	SCREW 4.2X26	
38		10065247	CAPSULE EJECTING PIN	
39		10063120	O-RING 4162	
40		10063087	OUTER PISTON - D.52.5	
41		10063079	LIP SEAL	
42	096553	10063066	GASKET O-RING	
43		10063124	PISTON ROD	
44	096355	10063499	MICRO SWITCH	
45	098763	10063342	CRANK WITH PIN	
46		10063112	COFFEE MOTOREDUCER	
47	098566	10063343	MOTOREDUCER SUPPORT	
48	098571	10063344	REAR SLEDGE	



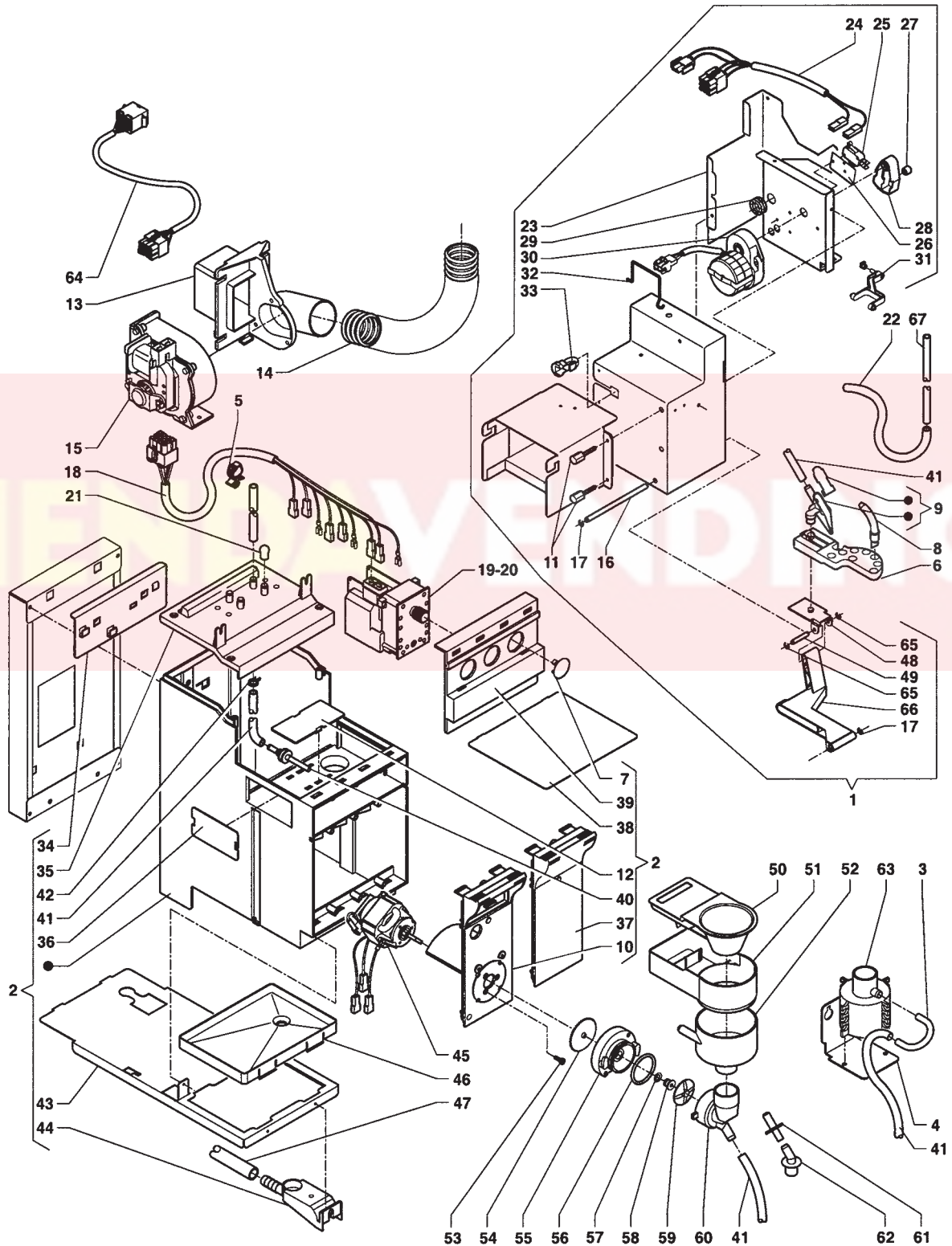


Mixer and nozzles

11

1/4

REF.	MAKER'S CODE	LAVAZZA CODE	DESCRIPTION	NOTES
1	0V2104	10065159	SPOUT MOTION ASSEMBLY	ASSEMBLED
2	0V4202	10063349	MIXER BRACKET 154	ASSEMBLED
3	097970	10063301	PIPE FOR COIL	
4	0V2003	10063362	COIL FOR TEA	
5	0V4200	10063395	CABLE RETAINER	
6	0V2059	10065139	SPOUT HOLDER PLATE	
7	0V4199	10063354	PLUG	
8	097953	10063373	NOZZLE	
9	0V1359	10065077	COFFEE DISPENSING SPOUT	ASSEMBLED
10	0V4208	10063357	'1' MIXER SUPPORT	
11	0V2032	10065125	POSITION ADJUSTING SCREW	
12	0V4211	10063359	AIR THROTTLE PLATE	
13	0V4210	10063360	FAN SUPPORT	
14	096459	10063064	HOSE DIAM 32	
15	098583	10063361	ELECTROVENTILATOR	
16	0V2039	10065129	PIN FOR MOBILE SPOUT LINK	
17	091959	10063010	BENZING COLLAR DIAM MM4	
18	0V4215	10063363	BRACKET WIRING 154	
19	0V3726	10063364	RATIOMOTOR 78 RPM	
20	0V3725	10063365	RATIOMOTOR 52 RPM	
21	250162	10063366	PLUG	
22	097510	10063302	SILICONE HOSE 5X9 BROWN	
23	0V1992	10065100	SPOUT BOX COVER	
24	0V2123	10065172	MOBILE SPOUT WIRING	
25	0V1931	10063501	MICROSWITCH "UL"	
26	090681	10063007	INSULATING DISK	
27	099635	10065067	ROLLER	
28	0V2062	10065142	SPOUT MOTION CAM	
29	090021	10063001	WHIPPING DIAM 10,5 MM	
30	0V2151	10065186	RATIOMOTOR	
31	0V2063	10065143	SPOT IDLE ROCKER	
32	0V2036	10065126	PIPE GUIDE SPRING	
33	096653	10065026	ANTITEAR WHIPPING	
34	0V4198	10063375	BRACKET SUPPORT 154	



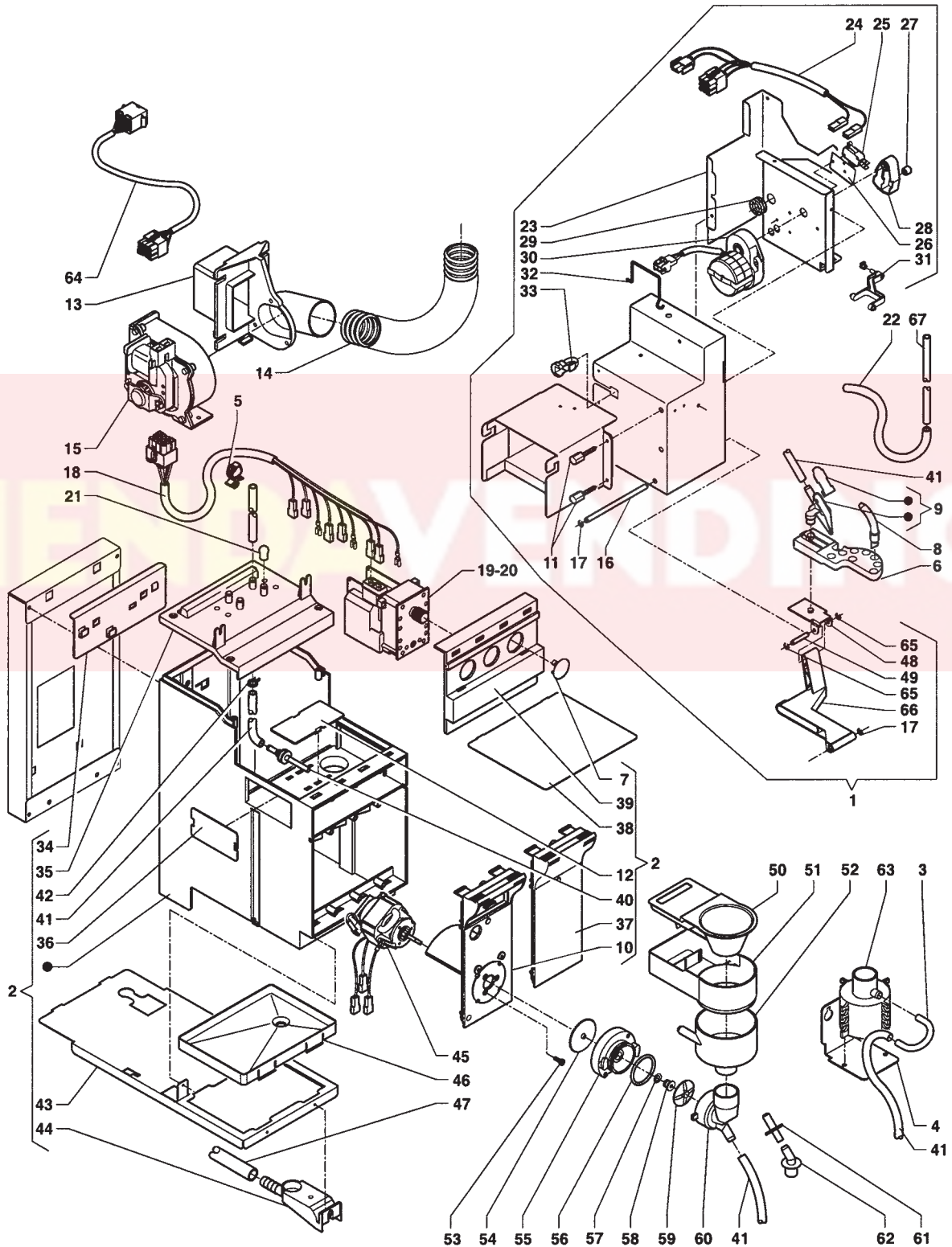


Mixer and nozzles

11

3/4

REF.	MAKER'S CODE	LAVAZZA CODE	DESCRIPTION	NOTES
35	0V4204	10063376	SUPPORT 154	
36	0V4214	10063377	AIR FLOW CLOSING PLATE	
37	0V4207	10063378	'0' MIXER SUPPORT	
38	0V4196	10063379	CONTAINER SUPPORT 154	
39	0V4206	10063380	RATIOMOTOR SUPPORT 154	
40	0V4212	10063381	WATER NOZZLE	
41	097511	10063275	SILICONE HOSE 6X9 BROWN	
42	094329	10063047	HOSE CLIP	
43	0V4195	10063382	TRAY SUPPORT 154	
44	0V4213	10063383	RUBBER PIECE HOLDER	
45	098808	10063384	MOTORMIXER	
46	0V2052	10063385	BRACKET TRAY 154	
47	093628	10063025	HOSE VIPLA TRANSPARENT DIAM MM 14X1	
48	0V2060	10065140	SPOUT COUPLING BRACKET	
49	0V2038	10065128	SHORT PIN FOR MOBILE SPOUTS	
50	0V1534	10063388	DRAWER COVER	
51	0V1537	10063389	SUCTION DRAWER	
52	0V1535	10063390	WATER FUNNEL	
53	099773	10063391	SCREW	
54	099889	10063392	DISK	
55	097911	10063393	FLANGE FOR MIXER	
56	094540	10063048	GASKET O-RING 3131	
57	099880	10063394	GASKET	
58	097917	10063351	BUSH SEAL	
59	097916	10063352	MIXER VENTILATOR	
60	097912	10063353	CONVEYOR FOR MIXER	
61	097914	10063355	CHOKE	
62	097913	10063356	ELBOW FOR MIXER	
63	097923	10063358	COIL FOR TEA	
64		10065250	2° MIXER EXTENSION WIRING MIXER	
65	091737	10065001	CIRCLIP DIN 6799	
66	0V2064	10065144	SPOUT MOTION LINK	
67	097529	10063327	SILICONE HOSE 3X6 BROWN	



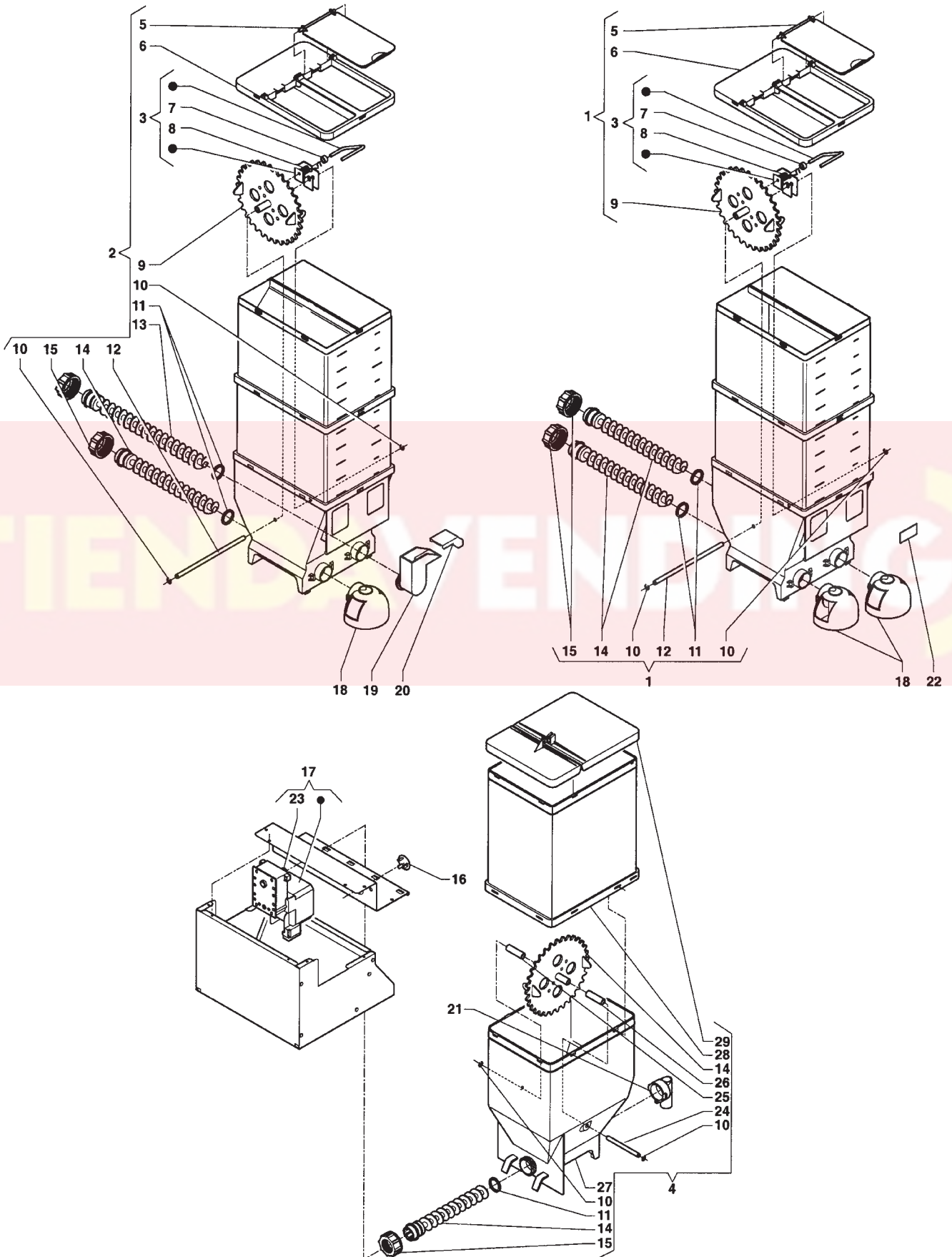


Containers

12

1/2

REF.	MAKER'S CODE	LAVAZZA CODE	DESCRIPTION	NOTES
1	250183	10063396	RH CONTAINER FOR LONG AUGER+BEATER	ASSEMBLED
2	0V3682	10063397	LEFT NORMAL AUGER CONTAINER+BEATER	ASSEMBLED
3	099494	10063398	CANISTER-BEATER	ASSEMBLED
4	0V2183	10065200	DOUBLE CONTAINER	ASSEMBLED
5	0V3723	10063399	COVER	
6	0V3722	10063400	CONTAINER EXTENSION COVER	
7	098812	10063504	SPACER	
8	099442	10063401	SPRING	
9	095936	10063059	WHEEL	
10	091959	10063010	BENZING COLLAR DIAM MM4	
11	095829	10063057	GASKET O-RING	
12	0V3728	10063505	WHEEL PIN	
13	098608	10063402	LONG SCROLL	
14	098609	10063506	SCROLL	
15	095849	10063058	CONTAINER RING NUT	
16	0V1636	10065080	PLUG D.25	
17	098715	10065057	MOTORDOSER	ASSEMBLED
18	0V1536	10063404	CONTAINER OPENING	
19	0V2070	10063405	RH POWDER FEEDER	
20	0V2076	10063406	CONVEYOR COVER	
21	098939	10063465	CANISTER-OPENING	
22	097502	10063408	NAMEPLATE GROUP CONTAINER INSTANT P	
23	099882	10065069	PINION	
24	0V0161	10065070	PIN FOR WHEEL	
25	0V0164	10065072	RIGHT SPACER	
26	0V0163	10065071	LEFT SPACER	
27	0V2456	10065228	CONTAINER BASE	
28	0V2046	10065136	CONTAINER EXTENSION	
29	0V0421	10065073	COVER	



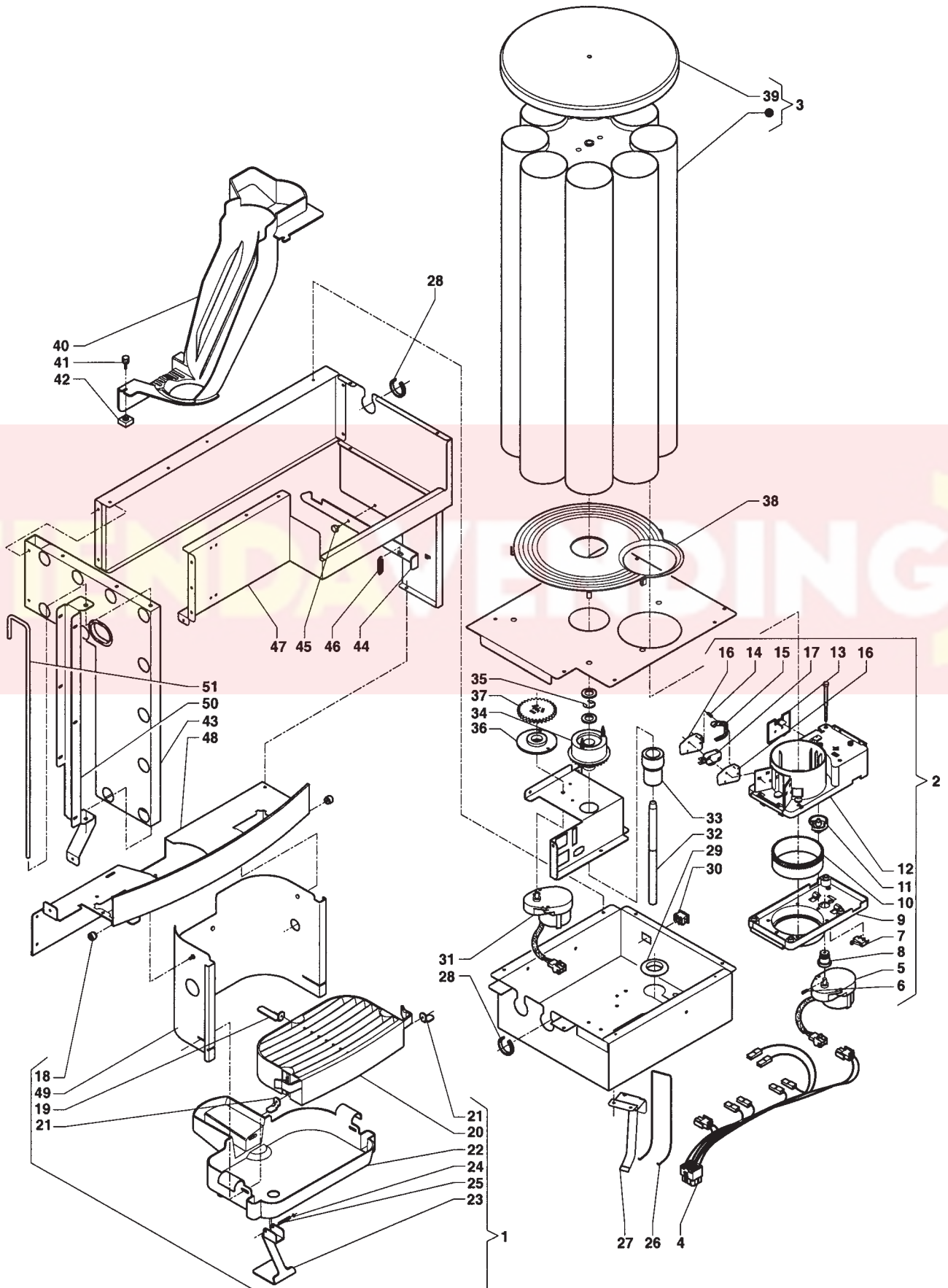


Cup dispenser

13

1/4

REF.	MAKER'S CODE	LAVAZZA CODE	DESCRIPTION	NOTES
1	0V2187	10065203	DISPENSING OPENING	ASSEMBLED
2	0V2107	10065162	CUP DISPENSER	ASSEMBLED
3	0V2163	10065193	8-TUBE CUP CONTAINER	ASSEMBLED
4	0V2117	10065167	CUP DISPENSER WIRING	
5	099397	10063459	MOTOR REDUCTOR 6G/1 MIN.	
6	096904	10063502	ELASTIC PLUG 1,5X8	
7	0V1928	10065091	MICRO-SWITCH "UL"	
8	098476	10065038	PINION	
9	098473	10065035	LOWER SHELL	
10	098477	10063423	TOOTHED RING	
11	098305	10063421	SCROLL DIAM.70/71	
12	098474	10065036	UPPER SHELL	
13	098475	10065037	SHUTTER	
14	093419	10065011	MICRO DRIVE LEVER PIVOT	
15	092982	10065006	MICRO LEVER	
16	092984	10065007	MICRO SUPPORT DISK	
17	092439	10063014	MICRO TYPE "CHERRY"	
18	097699	10063284	KNURL M4	
19	0V2019	10065117	GRILLE BACK ANGLE PROFILE	
20	0V2101	10065156	DISPENSING COMPARTMENT GRILLE	
21	0V2018	10065116	GRILLE SIDE ANGLE PROFILE	
22	0V2053	10065138	DISPENSING COMPARTMENT TRAY	
23	0V2068	10065147	ROCKING PLUG	
24	093754	10063028	BENZING COLLAR QUICKBLOCK BQ DIAM MM3	
25	098822	10065059	PIN FOR LEVER	
26	0V2590	10065229	CUP FORK 73-74	
27	0V2022	10065118	FORK SUPPORT	
28	0V2126	10065175	HALF-OPEN BUSH	
29	098600	10065045	CHOCK	
30	097807	10063163	BUTTON	
31	0V2150	10065185	RATIOMOTOR	
32	0V2040	10065130	PINION PIN	



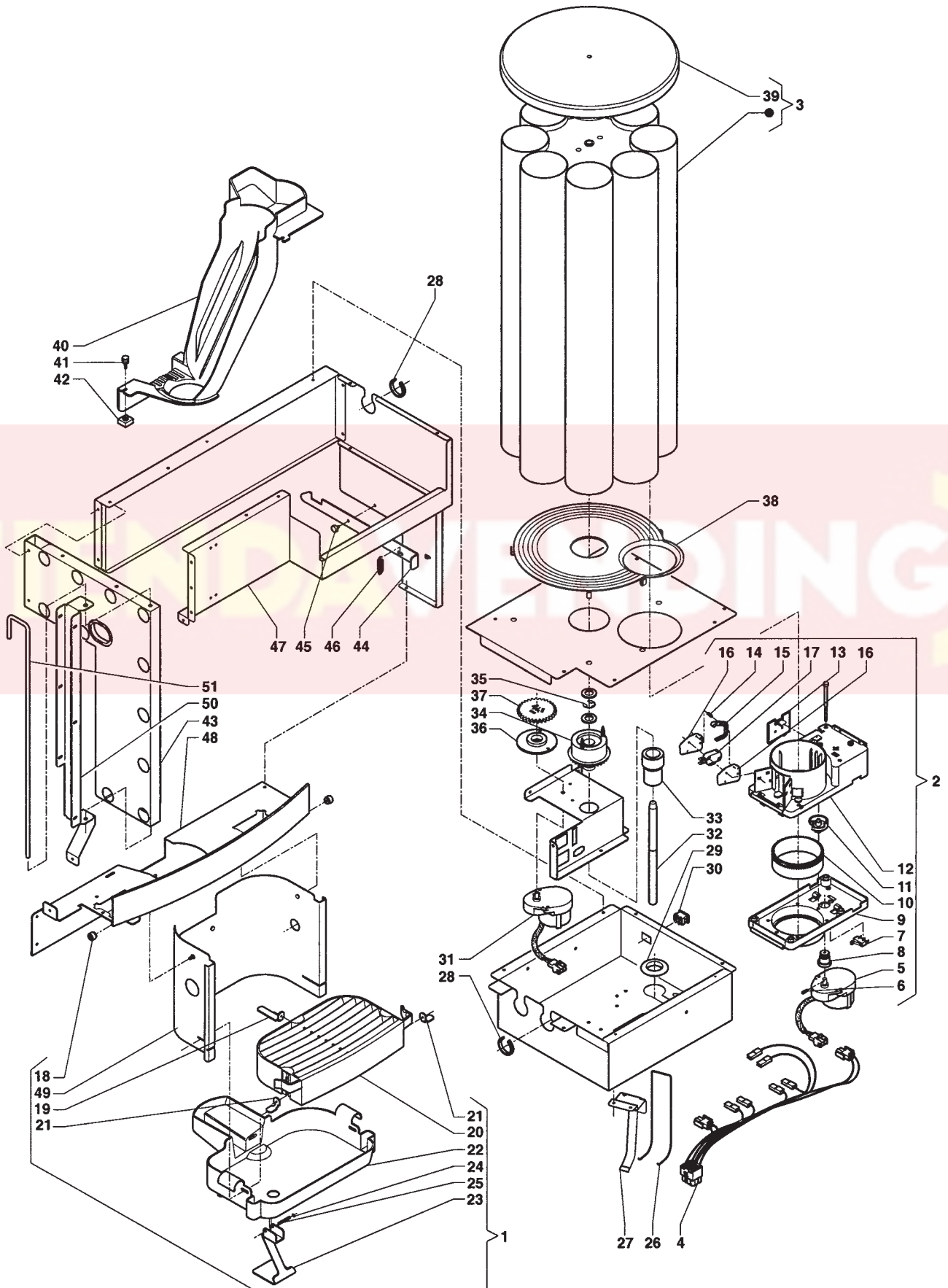


Cup dispenser

13

3/4

REF.	MAKER'S CODE	LAVAZZA CODE	DESCRIPTION	NOTES
33	0V2042	10065132	DRIVE PINION FLANGE	
34	0V2111	10065165	DRIVE PINION	
35	092717	10063017	FIXING COLLAR DIAM MM10	
36	0V2041	10065131	MOTOR PINION FLANGE	
37	0V1517	10065079	TOBOGGAN PIGNON	
38	0V2105	10065160	CUP BASE RING	
39	0V2051	10065137	8-TUBE STACKER LID	
40	0V2103	10065158	CUP CHUTE - DIA. 70/71	
41	096977	10063070	KNURL	
42	094067	10065016	DISK	
43	0V2190	10065205	BRACKET ASSEMBLY	
44	098754	10065058	COUPLER LEVER	
45	090615	10063006	COLLAR SCREW	
46	093978	10065015	SPRING FOR ACTUATOR	
47	0V1994	10065101	COUPLING SUPPORT	
48	0V2170	10065195	DISPENSING COMPARTMENT TOP	
49	0V4174	10065240	BACKPLATE NECK	
50	0V2007	10065111	BRACKET HINGE	
51	0V2037	10065127	BRACKET PIN	



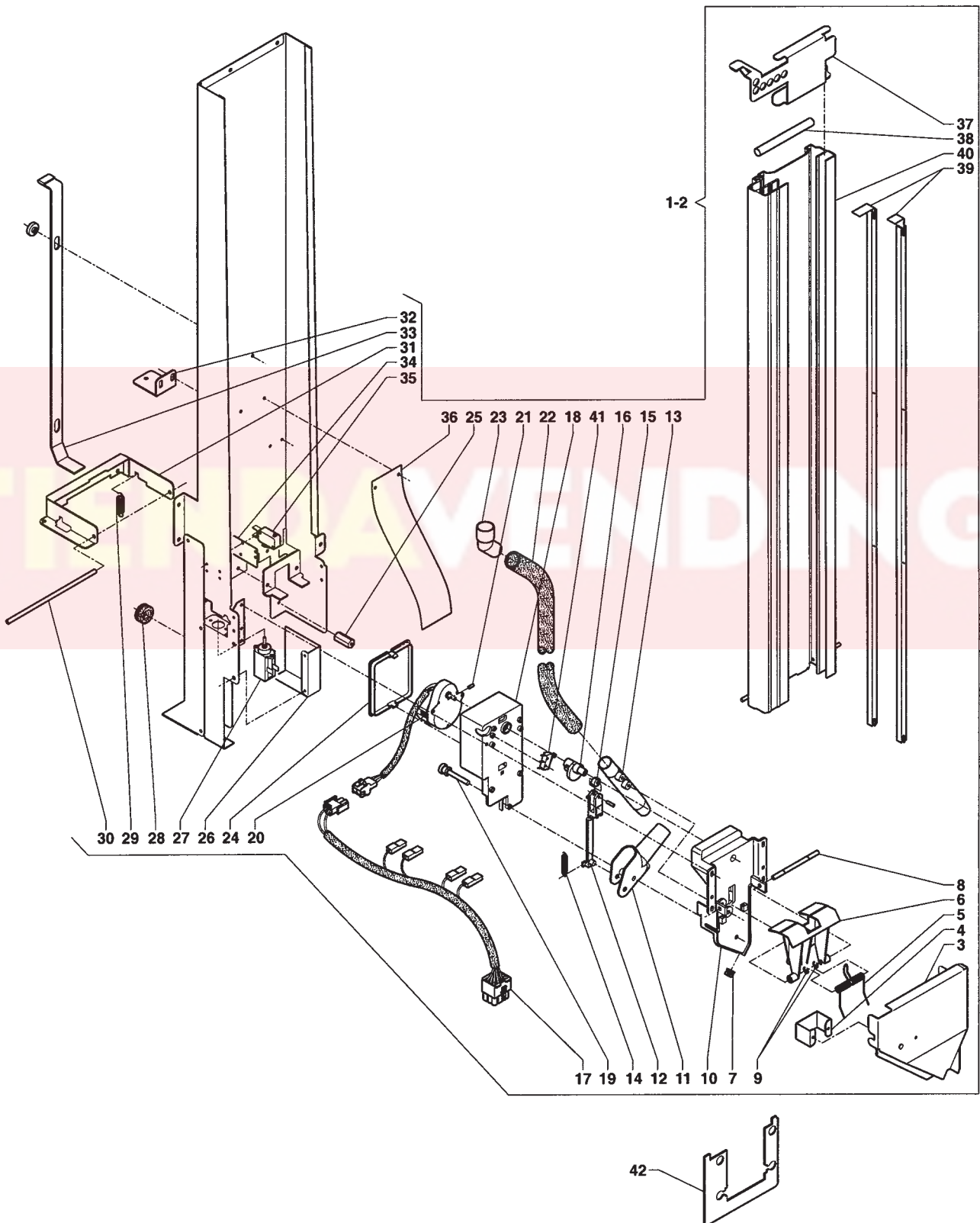


Sugar and spoons dispenser

14

1/4

REF.	MAKER'S CODE	LAVAZZA CODE	DESCRIPTION	NOTES
1	0V2108	10065163	SUGAR-STIRRER DISPENSER	ASSEMBLED
2	0V2349	10065222	DOUBLE STIRRING BAR DISPENSER	ASSEMBLED
3	0V1995	10065102	STIRRER CONVEYOR	
4	0V2013	10065115	STIRRER DEFLECTOR	
5	099602	10063446	SPRING	
6	0V2067	10065146	STIRRER EJECTION LEVER	
7	098853	10063449	PASS-WIRE	
8	098352	10063448	STIRRING BARS EJECTING PIN	
9	091959	10063010	BENZING COLLAR DIAM MM4	
10	099607	10063450	BODY	
11	099721	10063451	SUGAR NOZZLE	
12	099605	10063453	ROD	
13	098356	10063452	SUGAR PIPE	
14	099616	10063454	SPRING	
15	099604	10063455	ROLLER	
16	099606	10063456	CAM	
17	0V2122	10065171	SUGAR RELEASE WIRING	
18	099608	10063457	SUPPORT	
19	0V2949	10063458	SUGAR SPOUT PIN	
20	099397	10063459	MOTOR REDUCTOR 6G/1 MIN.	
21	096904	10063502	ELASTIC PLUG 1,5X8	
22	098719	10063463	PVC PIPE 14X19(A METER)	
23	0V0606	10065076	ELBOW	
24	099609	10063460	COVER	
25	0V2343	10065219	SPACER	
26	0V2012	10065114	THERMOACTUATOR PROTECTION	
27	0V2128	10065176	THERMOACTUATOR	
28	090021	10063001	WHIPPING DIAM 10,5 MM	
29	093978	10065015	SPRING FOR ACTUATOR	
30	0V2049	10063240	COLUMN SHIFT PIN	
31	0V1998	10065105	COLUMN SHIFT HOOK	
32	0V2354	10065225	UPPER SQUARE	





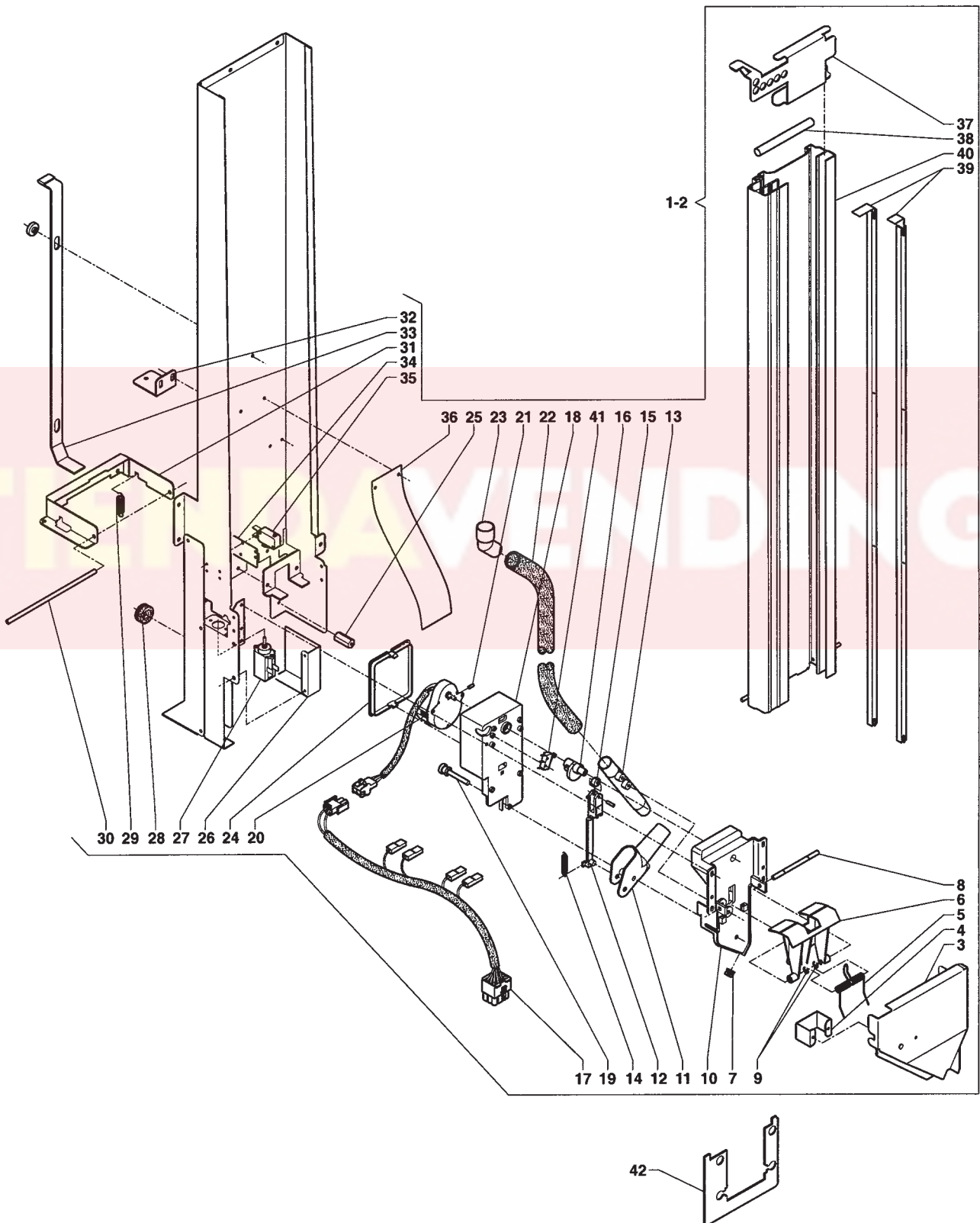
Sugar and spoons dispenser

14

3/4

REF.	MAKER'S CODE	LAVAZZA CODE	DESCRIPTION	NOTES
33	0V1997	10065104	RESET LEVER	
34	090681	10063007	INSULATING DISK	
35	092439	10063014	MICRO TYPE "CHERRY"	
36	0V2011	10065113	COLUMN SHIFT SPRING	
37	0V1996	10065103	COLUMN SHIFT STIRRER WEIGHT	
38	090203	10063003	STIRREL BAR WHEIGHT L=95	
39	0V2065	10065145	STIRRER SELECTION PROFILE	
40	0V2027	10065122	STIRRER COLUMN	
41	096355	10063499	MICRO SWITCH	
42	0V2352	10065223	POSITION TEMPLATE	

TIENDA VENDING





Pin and connectors

15

1/2

REF.	MAKER'S CODE	LAVAZZA CODE	DESCRIPTION	NOTES
1	090957	10065000	EYELET TERMINAL	
2	090959	10063475	FASTON W/O TONGUE	
3	091192	10063008	FASTON COVER	
4	090247	10063004	FEMALE FASTON COVER	
5	095955	10063060	TERMINAL MALE	
6	096136	10063476	TERMINAL FEMALE	
7	094405	10063477	TERMINAL FEMALE 2,5	
8	094954	10063478	FEMALE HOLDER CONNECTOR 3-WAYS	
9	098062	10063479	4-WAY CONNECTOR MATE-N-LOK AMP	
10	094955	10063480	FEMALE HOLDER CONNECTOR 2-WAYS	
11	0V0809	10063481	4-PIN CONNECTOR/P MOLEX 3191	
12	0V0808	10063482	3-PIN CONNECTOR/P MOLEX 3191	
13	0V0810	10063483	6-PIN CONNECTOR/P MOLEX 3191	
14	0V0811	10063484	9-PIN CONNECTOR/P MOLEX 3191	
15	0V0812	10063485	12-PIN CONNECTOR/P MOLEX 3191	
16	0V0818	10063486	12-PIN CONNECTOR/P MOLEX 3191	
17	0V0815	10063487	4-PIN CONNECTOR/P MOLEX 3191	
18	0V0817	10063488	9-PIN CONNECTOR/P MOLEX 3191	
19	0V0819	10063489	15-PIN CONNECTOR/P MOLEX 3191	
20	0V0813	10063490	15-PIN CONNECTOR/P MOLEX 3191	
21	0V0814	10063491	3-PIN CONNECTOR/P MOLEX 3191	
22	0V0816	10063492	6-PIN CONNECTOR/P MOLEX 3191	
23	094961	10063496	FEMALE HOLDER CONNECTOR P.I. 12-W	
24	0V0820	10063497	MOLEX CONTACT PULLER	

