

Table :01 - Door,external side

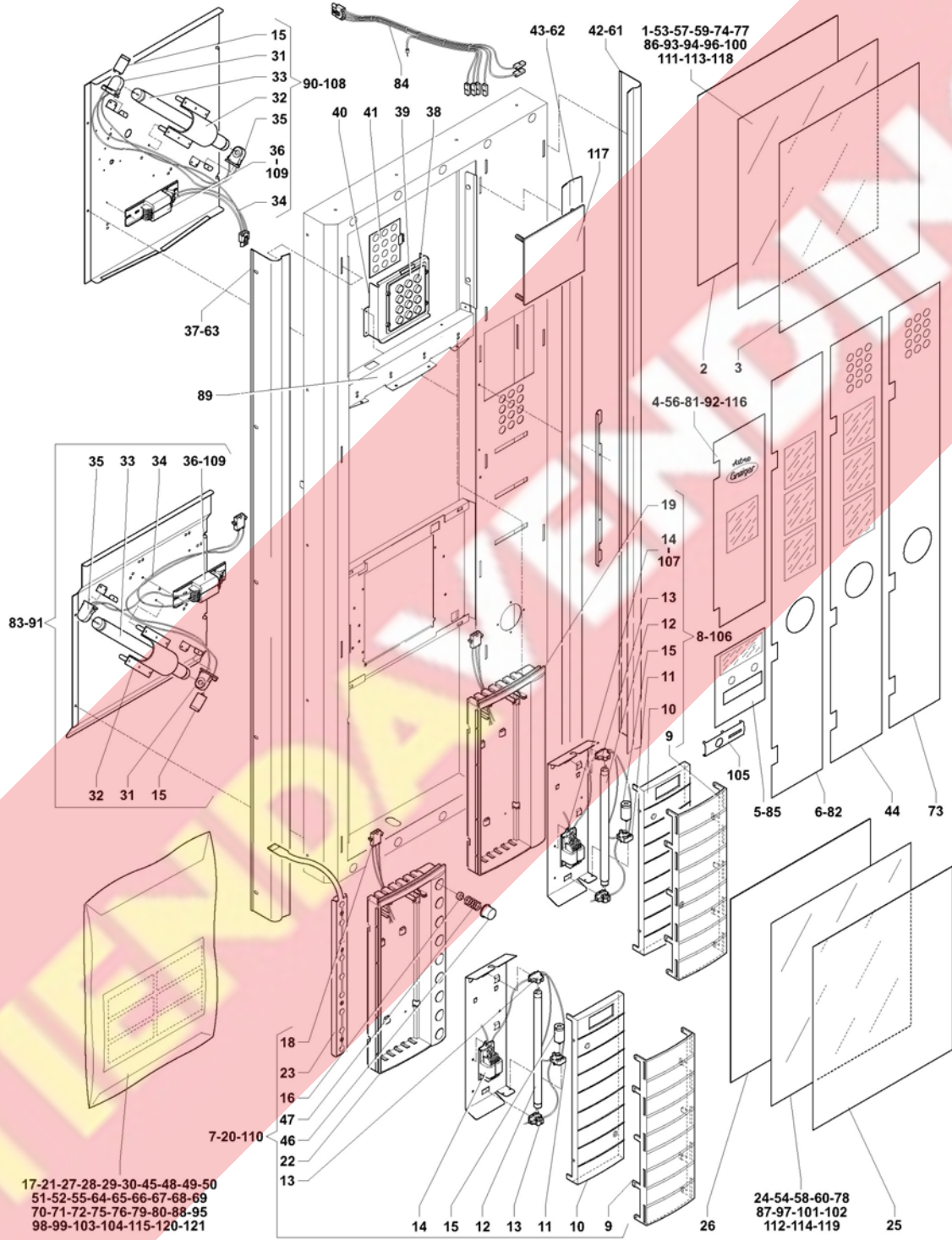


Table :01 - Door,external side

	Code	Description	Notes
1	0V4234	UPPER PHOTOGRAFIC PANEL	
2	250164	UPPER ELEMENT	
3	250166	UPPER TRANSPARENT PANEL	
4	0V4240	UPPER DOOR LABEL	
5	0V4241	MIDDLE DOOR LABEL	
6	250196	LOWER DOOR LABEL -BLACK-	
7	0V2184	PUSH-BUTTON PANEL ASSY. WITH LAMP	
8	250239	NEUTRAL PUSH-BUTTON PANEL WITH LAMP ASSY.	
9	250169	LABEL SCREEN	
10	0V2135	LABEL SUPPORT	
11	0V1554	STARTER HOLDER	
12	097266	LIGHT TYPE TL 8 W	
13	0V2130	LAMP HOLDER	
14	097268	INDUCTOR TYPE BPL	
15	091802	STARTER TYPE S10	
16	0V2134	SELECTION BUTTON SPACER	
17	0V2088	PRODUCT LABEL - ITALY	
18	0V2115	MENU LAMP WIRING	
19	0V4236	NEUTRAL PUSH-BUTTON PANEL	
20	250186	PUSH-BUTTON PANEL COMPLET	
21	251244	'PORTUGAL' PRODUCT TAGS	
22	250168	PUSH-BUTTON PANEL - BLACK -	
23	0V2132	MEMBRANE-TYPE PUSH-BUTTON PANEL	
24	0V4235	LOWER PHOTOGRAFIC PANEL	
25	250167	LOWER TRANSPARENT PANEL	
26	250165	LOWER ELEMENT	
27	0V3368	PRICE PLATE - EURO 0.05-	
28	250170	NEUTRAL LABELS	
29	0V2273	PRODUCT LABELS 1 SPAIN	
30	250171	DOOR INSTRUCTION LABEL -D-	
31	987958	LAMP-HOLDER W/STARTER-HOLDER	
32	0V2468	LAMP PROTECTION	
33	099152	LAMP	
34	250175	PANEL LAMP WIRING	
35	099783	LAMP-HOLDER	
36	251736	BALLAST EEI=B2 230V-50HZ	
37	250727	LEFT DOOR PROFILE	
38	0V4233	SELECTION BUTTONS	
39	0V4228	MEMBRANE-TYPE PUSH-BUTT.PANEL ELEM.	
40	250236	PUSH-BUTTON PANEL SUPPORT	
41	0V0070	MEMBRANE CONTROL PANEL	
42	250726	DOOR RIGHT PROFILE	

Table :01 - Door,external side

Code	Description	Notes
43	250156	CENTRAL DOOR PROFILE
44	250287	LOWER LABEL -NUMERICAL VERSION
45	250288	PRODUCTS LABEL -NUMERICAL VERSION
46	0V2133	SELECTION BUTTON
47	0V2034	SELECTION BUTTON SPRING
48	0V2347	PRODUCT LABELS 2 (FRANCIA)
49	0V2346	PRODUCT LABELS 1 (FRANCIA)
50	0V2094	PRODUCT LABEL 1 - GERMANY
51	0V2096	PRODUCT LABEL 2 - GERMANY
52	250867	PRODUCT PLATE (A)
53	250869	UPPER PHOTOGRAFIC PANEL -AUTOBAR-
54	250870	LOWER PHOTOGRAFIC PANEL -AUTOBAR-
55	251178	PRODUCT LABEL -NL/B -
56	251123	UPPER NEUTRAL PLATE
57	252582	UPPER PHOTOGRAFIC PANEL- SELECTA-
58	252583	LOWER PHOTOGRAFIC PANEL- SELECTA-
59	251575	UPPER PHOTOGRAFIC PANEL-NESTLE-F-
60	251576	LOWER PHOTOGRAFIC PANEL-NESTLE-F-
61	250813	RIGHT DOOR PROFILE -BLACK-
62	250814	CENTRAL DOOR PROFILE -BLACK-
63	250815	LEFT DOOR PROFILE -BLACK-
64	251573	PRODUCT LABELS 'NESTLE" F-N°1
65	251574	PRODUCT LABELS 'NESTLE" F-N°2
66	099253	PRICE LABELS 'UK' N°1
67	099242	PRICE-LABEL 'UK' N°2
68	0V2090	PRESELECTION PLATE
69	0V3624	INSTRUCTION-PLATE 'UK'
70	0V3625	INSTRUCTION-PLATE 2 'UK'
71	0V2596	DOOR LABEL-HOLDER (UK)
72	250014	INSTRUCTION PLATE 'EURO'
73	250293	LOWER DOOR LABEL WITHOUT POCKET
74	250988	UPPER PHOTOGRAPHIC PANEL-RED CUP-
75	251120	PRODUCT LABELS 'NESTLE" -UK
76	251007	PRODUCT LABEL (ISRAEL)
77	252410	UPPER PHOTOG.PANEL-SELECTA-CH-
78	252411	LOWER PHOTOG.PANEL-SELECTA-CH-
79	251310	PRODUCT LABELS - DALLMAYR
80	251311	INSTRUCTION PLATE -DALLMAYR-
81	252412	SILVER UPPER DOOR LABEL-SELECTA-
82	252413	SILVER LOWER DOOR LABEL-SELECTA-
83	253551	LOWER LAMP PANEL ASSEMBLY 240V-UK/AUS-
84	250448	ADDITIONAL PUSH-BUTTON WIRING

Table :01 - Door,external side

	Code	Description	Notes
85	252416	MIDDLE DOOR LABEL -SILVER-	
86	251577	UPPER PHOTOGRAPHIC PANEL MASKHAR	
87	251578	LOWER PHOTOGRAPHIC PANEL MASKHAR	
88	251579	PRODUCT TAGS -IL-MASKHAR	
89	250139	PUSH-BUTTON PANEL FIXING BRACKET	
90	251529	ASSEMBLY UPPER LAMP PANEL	
91	252168	ASSEMBLY LOWER LAMP PANEL	
92	251479	UPPER DOOR LABEL - GNAIGER-	
93	251636	PHOTOGRAPHIC PANEL BRISTOT	
94	251637	PHOTOGRAPHIC PANEL DEORSOLA	
95	251638	LABELS -BRISTOT/DEORSOLA-	
96	253364	UPPER PHOTOG.PANEL-NESTLE' -A-	
96	254102	UPPER PHOTOGRAFIC PANEL -NESTLE'- I -	
97	250817	LOWER PHOTOGRAFIC PANEL-NESTLE	
98	252876	PRODUCTS PLATE - GREECE -	
98	0V4191	PRODUCT LABELS N° 1 'UK'	
99	252848	PRODUCTS LABELS-BRIST.DEORSOLA	
99	250221	PRODUCT LABEL 2 - UK -	
100	251956	UPPER PHOTOGRAPHIC PANEL-GREECE-	
101	251957	LOWER PHOTOGRAPHIC PANEL-GREECE-	
102	253365	LOWER PHOTOG.PANEL-NESTLE' -A-	
102	254103	LOWER PHOTOGRAFIC PANEL -NESTLE'- I -	
103	253366	PRODUCT LABELS 'NESTLE' -A-1	
103	254104	NESTLE' (I) PRODUCT LABELS	
104	253367	PRODUCT LABELS 'NESTLE' -A-2	
105	252163	PLATE FOR COIN INSERT COIN INSERT	
106	253553	NEUTRAL PUSH-BUTTON PANEL WITH LAMP 240V-UK/AUS-	
107	253554	240V BALLAST EC8C102K	
108	253550	UPPER LAMP PANEL ASSEMBLY 240V-UK/AUS-	
109	253517	BALLAST EC18 240V 50HZ	
110	253552	PUSH-BUTTON PANEL ASSY. WITH LAMP 240V-UK/AUS-	
111	253717	UPPER PHOTOGRAPHIC PANEL-DALLMAYR DARK-	
112	253718	LOWER PHOTOGRAPHIC PANEL-DALLMAYR DARK-	
113	253777	UPPER PHOTOGRAPHIC PANEL -ARGENTA-	
114	253778	UPPER PHOTOGRAPHIC PANEL -ARGENTA-	
115	253779	PRODUCT LABEL -ARGENTA -ITALIA	
116	253711	DOOR UPPER LABEL -EURMATIK-	
117	253712	STOPPER FOR PAYMENT ELEMENT	
118	253775	UPPER PHOTOGRAPHIC PANEL -FINE TIME-	
119	253776	LOWER PHOTOGRAPHIC PANEL -FINETIME-	
120	253800	PRODUCT LABELS -FINE TIME-	
121	253782	PRODUCT LABELS AUTOBAR	

Table :01 - Door,external side

Code	Description	Notes
------	-------------	-------



Table :02 - Door, internal side

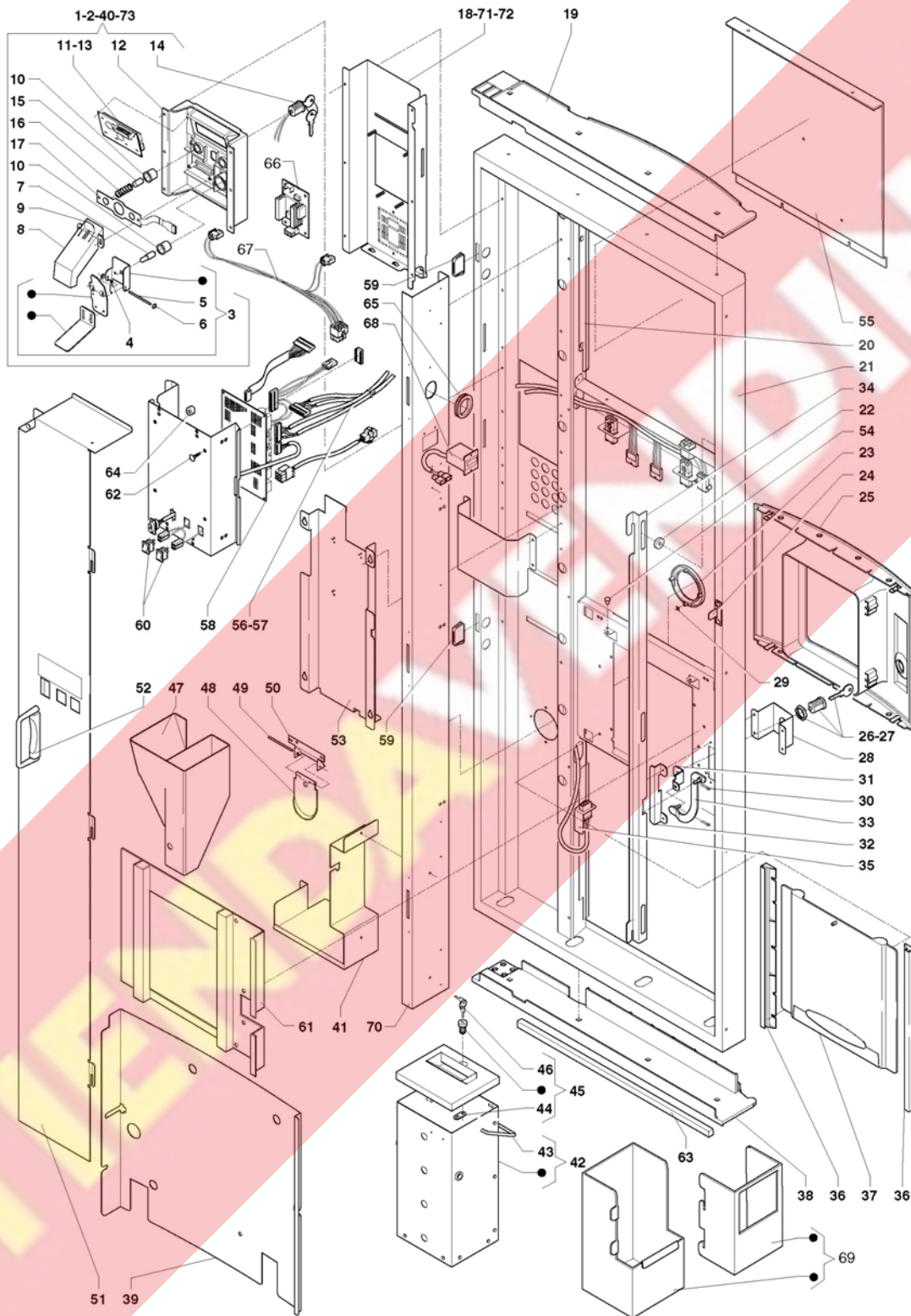


Table :02 - Door,internal side

Code	Description	Notes
1	250179	COIN INSERT WITH PRE-SELECTION
2	250238	COIN INSERT WITH PRE-SELECTION+ KEY
3	0V2164	COIN RETURN
4	099356	SPRING FOR CHANGE
5	099355	CHANGE GIVING PIN
6	093754	BENZING COLLAR QUICKBLOCK BQ DIAM MM
7	099351	ACTIVATOR
8	0V2084	LOWER COIN SLOT CHUTE
9	099357	UPPER SLIDE
10	0V2071	COIN RETURN BUTTON
11	251658	DISPLAY 4X20 BLUE
12	0V4227	DISPLAY-COIN SLOT-PRESELECT. SUPPORT
13	251958	LCD DISPLAY -GREECE
14	099743	FREE VEND SWITCH
15	250159	PUSH-BUTTON ACTUATOR
16	250158	PUSH-BUTTON SPRING
17	0V4243	PRESEL. MEMBRANE PUSH-BUTT.PANEL
18	250728	PAYMENT ELEMENT
19	0V4230	UPPER DOOR HEAD
20	0V2006	PHOTOGRAPHIC PANEL STOP
21	250729	DOOR FRAME
22	0V2047	LOCK ROD SPACER
23	0V2073	DARK GREY COIN RETURN FRAME
24	0V2017	DOOR MICRO-SWITCH ACTUATOR
25	0V4232	DOOR DISPENSING OPENING -BLACK
26	099043	LOCK TYPE'N'PREFER
27	099905	LOCK RIELDA
28	250151	LOCK SUPPORT
29	093829	LEVER LOCK CLIP
30	093342	COTTER 2X15 UNI
31	0V4217	LOCK LATCH BOLT
32	250150	GUIDE STRENGTHENING
33	0V4244	LOCK LATCH BOLT ELEMENT
34	0V4192	DOOR LOCK ROD
35	250148	SQUARE PIECE
36	0V3703	SLIDER GUIDE
37	0V2093	DISPENSING COMPARTMENT DOOR
38	0V4231	LOWER DOOR HEAD
39	250147	PUSH-BUTTON PANEL COVER
40	251959	COIN INSERT WITH PRE-SELECTION-GREECE-
41	0V2021	COIN-BOX SUPPORT
42	0V2188	COIN BOX

Table :02 - Door,internal side

Code	Description	Notes	
43	0V2029	COIN-BOX HANDLE	
44	098551	BOLT	
45	090861	CYLINDER LOCK TYPE K	
46	092218	PASSE-PARTOUT LOCK K	
47	0V2087	CASH RETURN CHUTE -BLACK-	
48	093890	MONEY RETURN SHUTTER	
49	093891	SHUTTER PIVOT	
50	097455	MONEY RETURN SHUTTER BRACKET	
51	250145	BOX COVER	
52	0V3659	HANDLE	
53	0V1990	COIN MECH SUPPORT	
54	098833	BUFFER	
55	251034	UPPER PANEL COVER	
56	250176	DIRECT SELECTION DOOR WIRING	
57	250237	DOOR WIRING-VERSION WITH MEMBRANE KEY	
58	250458	16BIT CPU BOARD 2MB	TO BE PROGRAMMED number 62000000
58	252436	16 BIT CPU BOARD 4MB	from serial number 62000001
59	250182	MAGNET	
60	097807	BUTTON	
61	251033	COMPARTMENT TRAY COVER	
62	097175	CARD SPACER	
63	251515	ADHESIVE SEAL (A METER)	
64	0V1431	SPACER	
65	093916	WHIPPING OVAL	
66	0V2713	13 V. 1 AMP ADJUSTMENT BOARD	
67	0V2712	SMILE BILL CASHBOX WIRING	
68	0V2284	SCALER 24 VOLT	
69	0V2714	SMILE BILL CASHBOX	
70	0V1991	BOX	
71	253710	PAYMENT ELEMENT WITH PRESELECTION P&P	
72	253799	PAYMENT UPPER ELEMENT -FINE TIME-	
73	252414	SILVER COIN INSERT -SELECTA-	

Table :03 - Motorized door

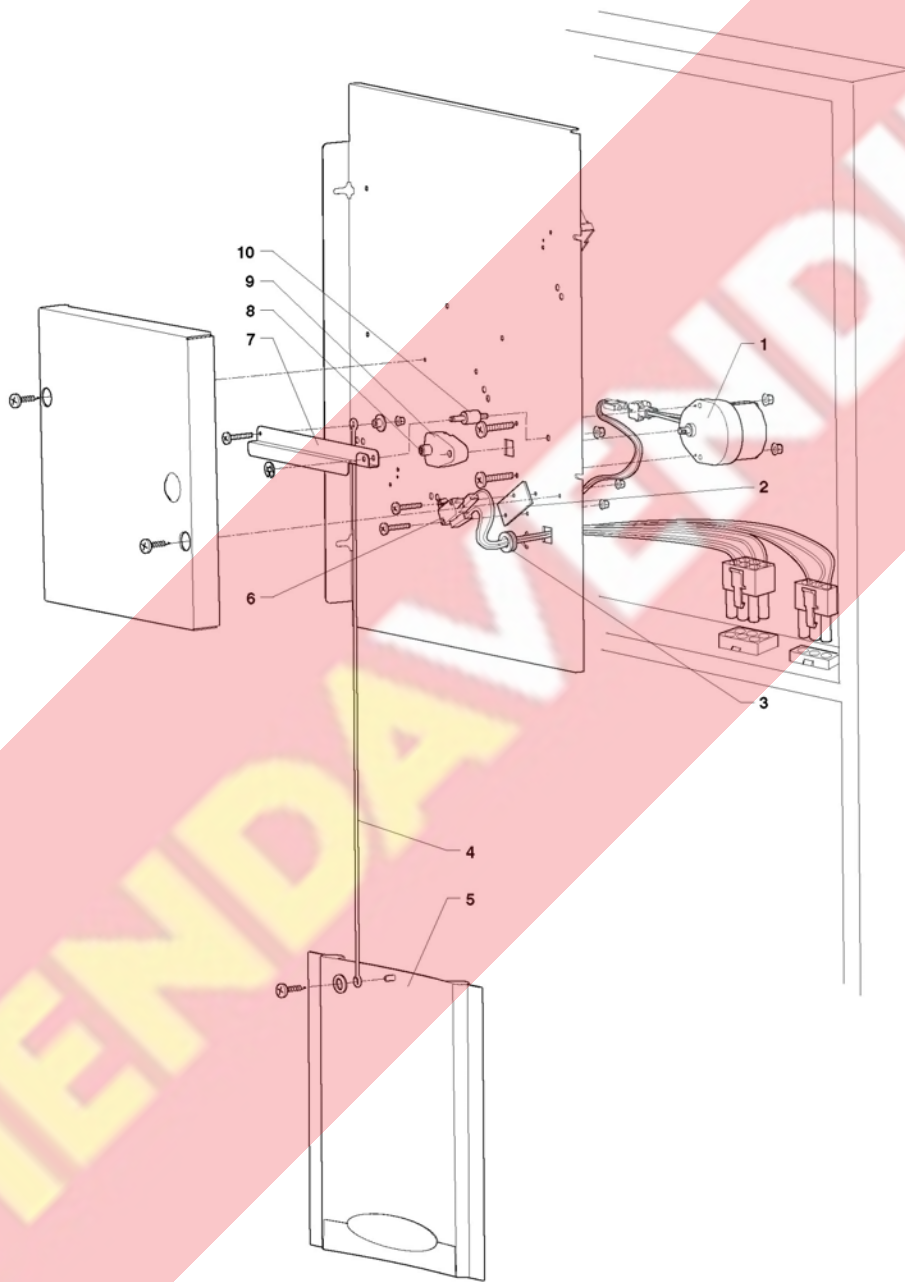


Table :03 - Motorized door

	Code	Description	Notes
1	250467	RATIOMOTOR	
2	090681	INSULATING DISK	
3	090021	WHIPPING DIAM 10.5 MM	
4	250465	OPERATION LEVER HOOK	
5	0V2093	DISPENSING COMPARTMENT DOOR	
6	0V1931	MICROSWITCH 'UL'	
7	250464	SLIDER OPERATION LEVER	
8	099635	ROLLER	
9	0V2062	SPOUT MOTION CAM	
10	250466	OPERATION LEVER PIN	



Table :04 - Cabinet

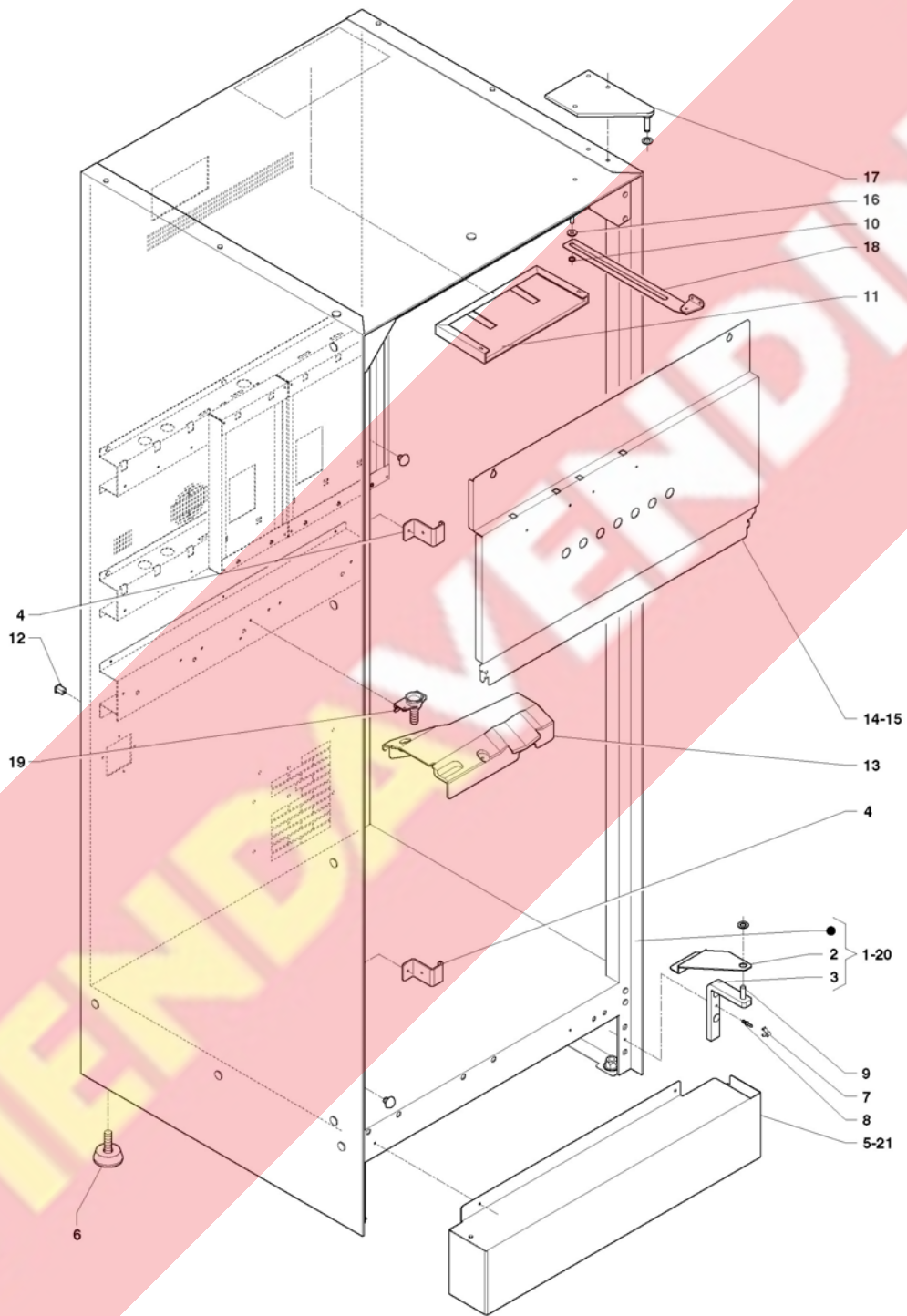


Table :04 - Cabinet

	Code	Description	Notes
1	250188	CABINET	
2	0V4221	HINGE HOLDING SQUARE	
3	0V4222	LOWER DOOR HINGE	
4	0V3632	LOCK COUPLER BRACKET	
5	250185	FEET COVERING	
6	252124	4 FEET KIT	
7	094073	LOCK SPRING GRINDER AND COFFEE GROU	
8	094159	FIXING PLUG	
9	094576	CENTERING PLUG	
10	093470	FLAT WASHER MM 6.4	
11	250219	DOCUMENTATION HOLDER	
12	094111	INSULATING DOLLY BLOCK	
13	0V4229	NOZZLE COVER	
14	250389	BOILER COVER - UK -	
15	250387	BOILER COVER	
16	250160	DOOR STOP SPACER	
17	098440	UPPER HINGE	
18	0V2160	DOOR STOP	
19	250468	TRAY FUNNEL	
20	250240	CABINET - "BLACK"	
21	252415	FEET COVER -SILVER-	

Table :05 - Electric system

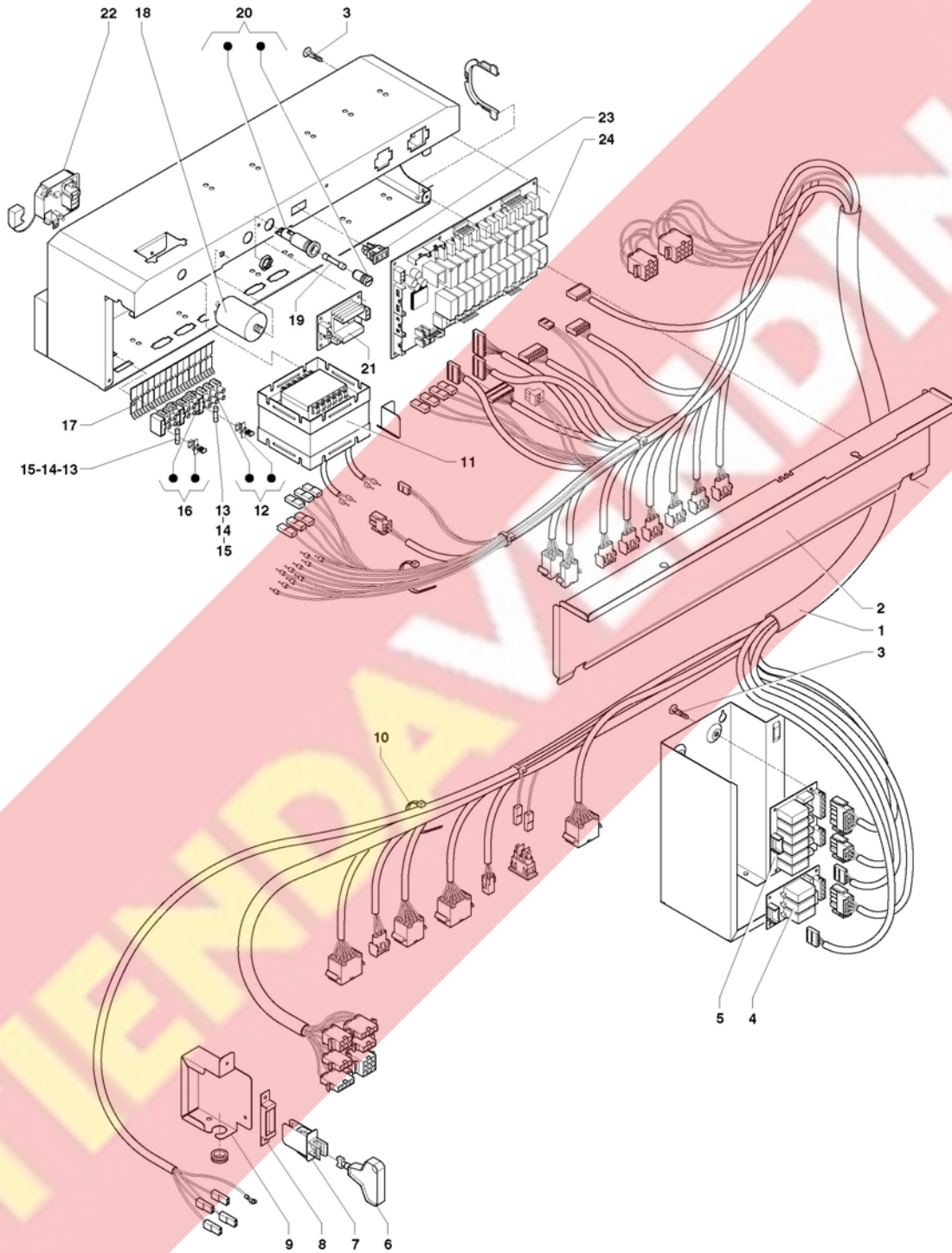


Table :05 - Electric system

	Code	Description	Notes
1	250172	MAIN WIRING	
2	251015	POWER UNIT COVER	
3	097175	CARD SPACER	
4	250463	3-RELAY EXPANSION CARD	
5	0V3202	OUT/R CARD. 6 RELAYS	
6	0V1654	SWITCH KEY	
7	097796	SWITCH	
8	098797	SWITCH SUPPORT	
9	250142	SWITCH COVER	
10	090148	CLIP	
11	0V0014	G49/25-25V TRASFORMER	
12	097241	3-POLE TERMINAL BOARD W/CARRIER	
13	097259	FUSE 5X20 4A DELAYED ACTION	
14	096923	FUSE 5X20 1 AMP DELAYED ACTION	
15	096922	FUSE 5X20 800M AMP	
16	098793	5P TERMINAL BOARD WITH FUSE-HOLDER	
17	097242	SUB-TERMINAL BOARD	
18	0V3512	ELECTRICAL NET FILTER	
19	095636	FUSE 15 A	
20	0V3201	FUSE HOLDER	
21	0V2143	BOILER CONTROL BOARD	
22	098796	TERMINAL BOARD	
23	096921	POWER POINT 10 AMP	
24	252437	16 BIT CONTROL BOARD 4MB	from serial number 62000001
24	0V3671	ACTUATION BOARD 16BIT 2MB	until serial number 62000000

Table :06 - Hydraulic system

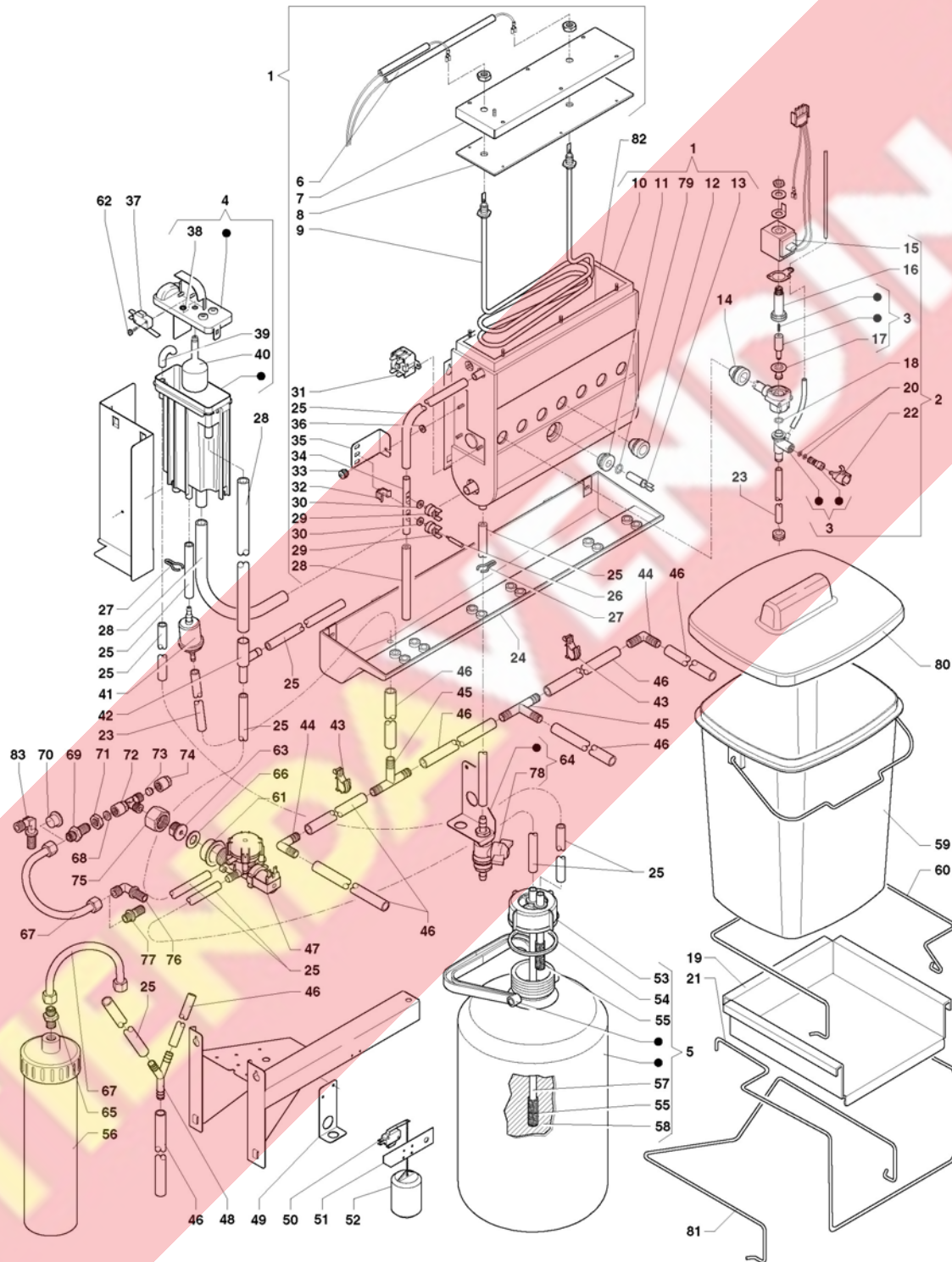


Table :06 - Hydraulic system

Code	Description	Notes
1	0V2100	INSTANT BOILER ASSEMBLY
2	0V2153	INSTANT PROD. ELECTROVALVE
3	251532	SINGLE ELECTROVALVE KIT
4	0V1133	AIR-BREAK ASSEMBLY
5	094124	DEPURATOR COMPLETE
6	0V2118	INSTANT BOILER WIRING
7	0V2155	BOILER LID
8	0V2055	BOILER LID SEAL
9	0V2109	2000W- 220V HEATING ELEMENT
10	0V2193	BOILER ASSEMBLY
11	099918	GASKET FOR FEELER
12	099928	STOPPER GASKET
13	0V0157	FEELER
14	099847	GASKET
15	0V3359	LOCK ELECTROVALVE REF.0V2153
16	0V3552	VALVE BUSH
17	252016	MEMBRANE-GASKET (ODE)
18	0V3554	GASKET O-RING
19	0V2245	BUCKET SUPPORT F.B.
20	099064	ADJUSTING-SCREW-GASKET
21	0V2250	BUCKET SUPPORT BRACKET
22	0V3556	LOWER BODY STOP
23	097511	SILICONE HOSE 6X9 BROWN
24	0V4224	BOILER TRAY
25	097512	SILICONE HOSE 6X12 BROWN
26	0V2074	THERMOSTAT ACTUATOR
27	092703	TUBE CLAMP
28	097515	SILICONE HOSE 10X16 BROWN
29	0V2129	THERMOSTAT 82 C
30	094597	COPPER WASHER
31	0V1364	105 DEGREE SAFETY THERMOSTAT
32	098484	HOSE FIXING
33	097699	KNURL M4
34	099458	TUBE FOR 2 THERMOSTAT
35	099916	THERMOSTAT SUPPORT
36	093179	INSULATING WASHER MOTOREDUCTER
37	0V1141	MICROSWITCH
38	252538	O-RING 2025
39	0V1749	WATER/AIR-BREAK CONNECTION
40	0V1126	AIR-BREAK FLOAT
41	097435	WATER FILTER VOLUMETRIC COUNTER
42	094185	CODENSE RECOVERY UNION

Table :06 - Hydraulic system

Code	Description	Notes
43	098459	WIRE-CLIP
44	094571	UNION 90 DEGREES
45	096552	UNION T-SHAPE
46	093628	HOSE VIPLA TRANSPARENT DIAM MM 14X1
47	097383	ELECTROVALVE WATER-INLET 220V-2.5L/MIN-
48	093959	UNION Y-SHAPE DIAM 12 OUTER
49	250152	DRAIN PIPE SUPPORT
50	252585	MICROSWITCH
51	092761	INSULATING DISK
52	094294	FLOAT
53	094126	DEPURATOR LID
54	092942	DEPURATOR COVERING GASKET
55	091993	DEPURATOR FILTER
56	099775	FILTER CARTRIDGE BH ²
57	094127	WATER OUTLET PIPE
58	091995	RESIN DEPURATOR 5 LITRES
59	097530	SQUARE WASTE BASKET BROWN
60	0V3653	LIQUID CONTAINER STOP
61	099815	STOPPER
62	987612	EJOT-PT-SCREW 4X12
63	093952	WATER INLET CONNECTION NIPPLE
64	250647	HOT WATER TAP
65	092535	TERMINAL MALE
66	092364	UNION GASKET 3/4
67	097378	CONNECTION PIPE
68	092388	TIGHTENING RING
69	0V2199	UNION 1/4
70	099805	STOPPER
71	092652	LOCK NUT 1/4 REV
72	095586	BANJO UNION T-SHAPE
73	096656	PLUG COLLAR
74	092387	TIGHTENING NUT
75	093951	TIGHTENING NUT G 3/4
76	092651	INTERMEDIATE ELBOW LINK
77	0V2708	1/4 UNION
78	251527	TAP
79	096553	GASKET O-RING 2037
80	0V3301	COVER
81	095730	BUCKET FASTENER
82	253828	BOILER BODY ASTRO. ZENITH -AISI 316-
83	094334	INTERMEDIATE ELBOW LINK

Table :07 - Coffee dispenser

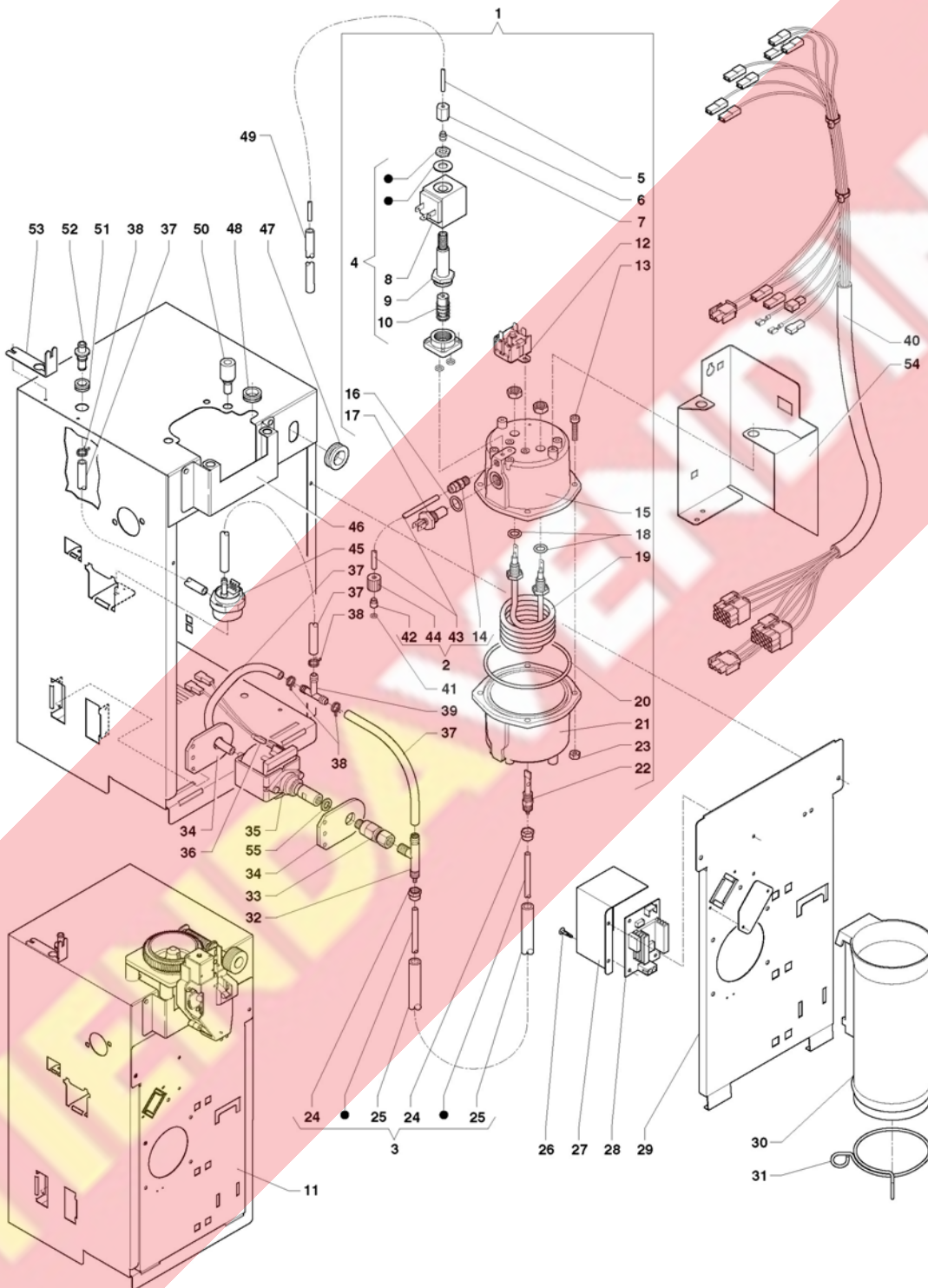


Table :07 - Coffee dispenser

Code	Description	Notes
1	099745	COMPLETE COFFEE BOILER
2	099400	PLUNGER TUBE
3	0V2158	PUMP PIPE/COFFEE BOILER
4	097470	3-WAY ELECTROVALVE 220V
5	092068	TEFLON PIPE DIAM MM 2X4
6	093636	TIGHTENING NUT ELECTR. DE-AERATION
7	093635	TIGHTENING RING ELECTRICAL DE-AERAT
8	099057	ELECTROV.-COIL 220/230 VOLT
9	250016	3-WAY ELECTROVALVE PIPE
10	250348	3-WAY ELECTROVALVE NUCLEUS- RUBY-
11	251274	COFFEE BRACKET ASSEMBLY
12	0V1318	125 DEGR. THERMOSTAT
13	096194	SCREW M6X25
14	0V1434	STRAIGHT UNION
15	099747	UPPER BOILER-COVER
16	095624	GASKET O-RING 116 EP851
17	094872	BOILER TEMPERATURE PROBE
18	254711	GASKET O-RING112 2.62X9.92
19	099653	HEATING ELEMENT 1450 W
20	099748	GASKET
21	099746	LOWER BOILER-COVER
22	098758	STRAIGHT UNION
23	985318	NUT
24	099107	NUT
25	097685	SILICONE HOSE BROWN 7.5X12
26	097175	CARD SPACER
27	0V2305	CARD SUPPORT
28	0V2143	BOILER CONTROL BOARD
29	250141	BRACKET SLIDER
30	094047	PASTILLE BAG HOSE
31	094048	BAG LOCK COLLAR
32	098764	BY-PASS PUMP (12 BAR)
33	099101	NO-RETURN VALVE
34	0V4275	POMPE SUPPORT
35	098760	PUMP (VIBRATION)
36	098815	90 DEGREES THERMIC PROTECTION
37	097510	SILICONE HOSE 5X9 BROWN
38	094329	HOSE CLIP
39	094231	UNION T-SHAPE
40	250173	COFFEE BRACKET WIRING
41	094611	GASKET O-RING 2018
42	098711	BUSH PISTON PIPE

Table :07 - Coffee dispenser

Code	Description	Notes
43	252659	TEFLON PIPE 2.5X5 (A METER)
44	098699	UNION FOR PISTON PIPE
45	098707	VOLUMETRIC COUNTER
46	0V2802	GRINDER SUPPORT
47	090020	WHIPPING MM 16
48	090021	WHIPPING DIAM 10.5 MM
49	097529	SILICONE HOSE 3X6 BROWN
50	099484	LITTLE RUBBER
51	0V2127	FAIRLEAD
52	0V2058	BRACKET WATER CONNECTION
53	250149	COVER FIXING SQUARE
54	250140	COFFEE BOILER SUPPORT
55	251143	ALUMINIUM WASHER



Table :08 - Coffee unit Z2000

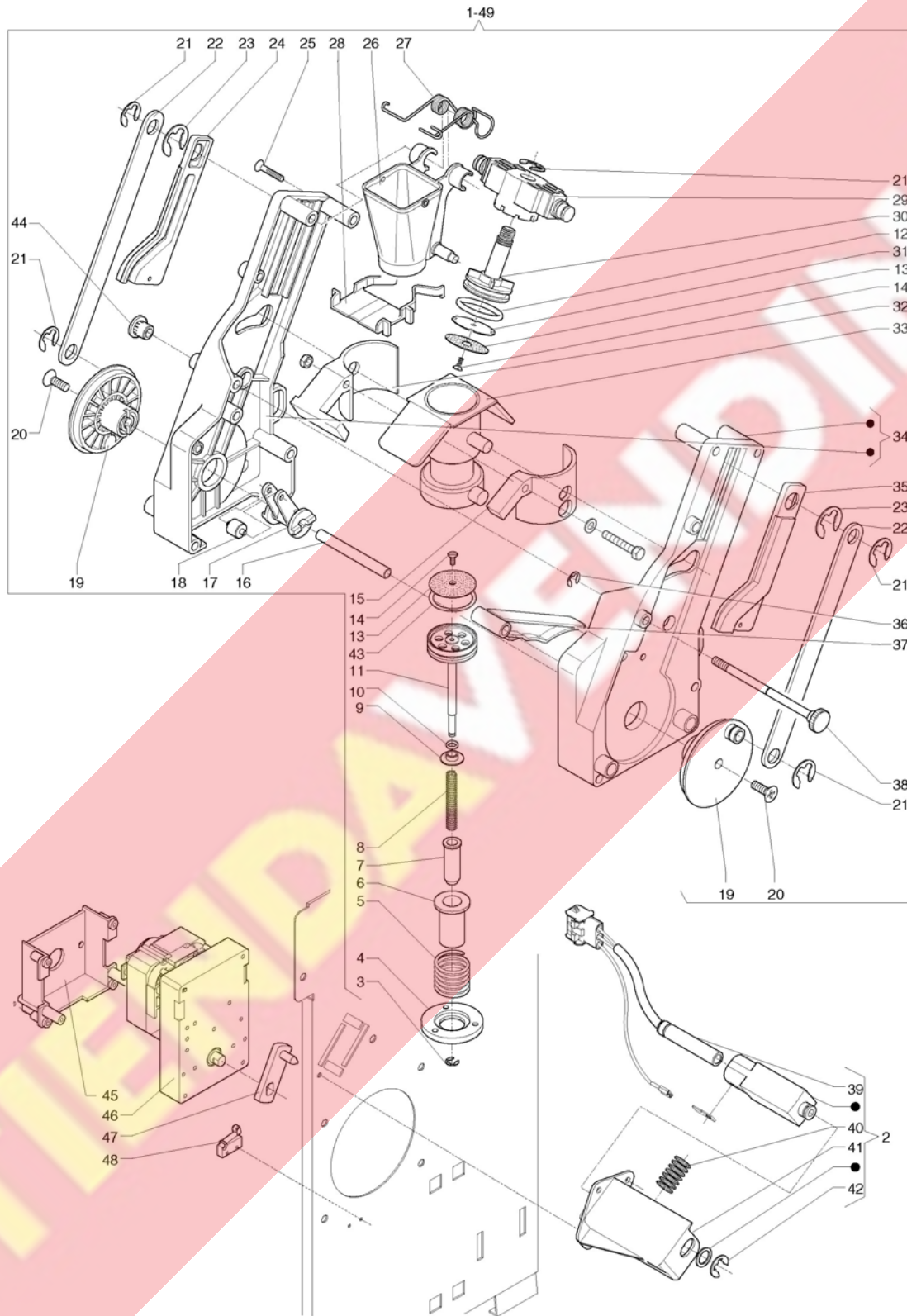


Table :08 - Coffee unit Z2000

Code	Description	Notes
1 252506	Z3000 WITH HEATER(OPEN DURING STAND-BY POSITION)	
2 0V1783	Z2000M HEATER WITH SUPPORT	
3 098818	STOPPING RING D.4	
4 098569	FLANGE FOR SPRING	
5 098689	PREINFUSION SPRING	
6 098567	LID FOR SPRING	
7 098691	LOWER PISTON GUIDE	
8 098688	PISTON RETURN SPRING	
9 098690	CONTROL BUSH	
10 090421	GASKET OR 2025	
11 099490	LOWER PISTON	
12 093167	SILICONE GASKET OR 4118 .	
13 098687	COFFEE FILTER	
14 0V1963	S/S M3X10 SCREW	
15 0V1784	FRONT PANEL	
16 098693	ROD CRANK BLOCKING	
17 098574	ROTATING LEVER	
18 098692	ROTATING LEVER ROLL	
19 098573	CRANK	
20 0V3889	SCREW 6X14	
21 092717	FIXING COLLAR DIAM MM10	
22 098565	TRACE FOR PISTON COMMAND	
23 096569	FIXING COLLAR DIAM 12	
24 098571	REAR SLEDGE	
25 250290	SCREW 4.2X26	
26 251739	Z3000 COFFEE CHUTE	
27 252277	SCRAPER SPRING	
28 251740	COFFEE SCRAPER	
29 098568	CROSS-BAR	
30 098577	UPPER PISTON	
31 0V1789	WATER DEFLECTOR	
32 0V1785	REAR PANEL	
33 0V1715	BREWING CHAMBER W/PLUG	
34 251101	RH-LH SUPPORT	
35 098572	FRONT SLEDGE	
36 091287	OUTER FIXING COLLAR	
37 098575	OSCILLATING LEVER	
38 252020	TIEROD WITH KNURLED NUT	
39 0V1786	25 WATT 110/265 V RESISTOR	
40 0V1788	CONTACT SPRING	
41 0V1787	SUPPORT	
42 987948	LOCKING WASHER	

Table :08 - Coffee unit Z2000

Code	Description	Notes
43 253411	GASKET O-RING 4112	
44 253655	SPACER BUSH	
45 098566	MOTOREDUCER SUPPORT	
46 098708	MOTOREDUCER	
47 098763	CRANK WITH PIN	
48 096355	MICRO SWITCH -UL -	
49 251687	COFFEE-GROUP Z3000	

TIENDA VENDING

Table :09 - Grinder doser unit

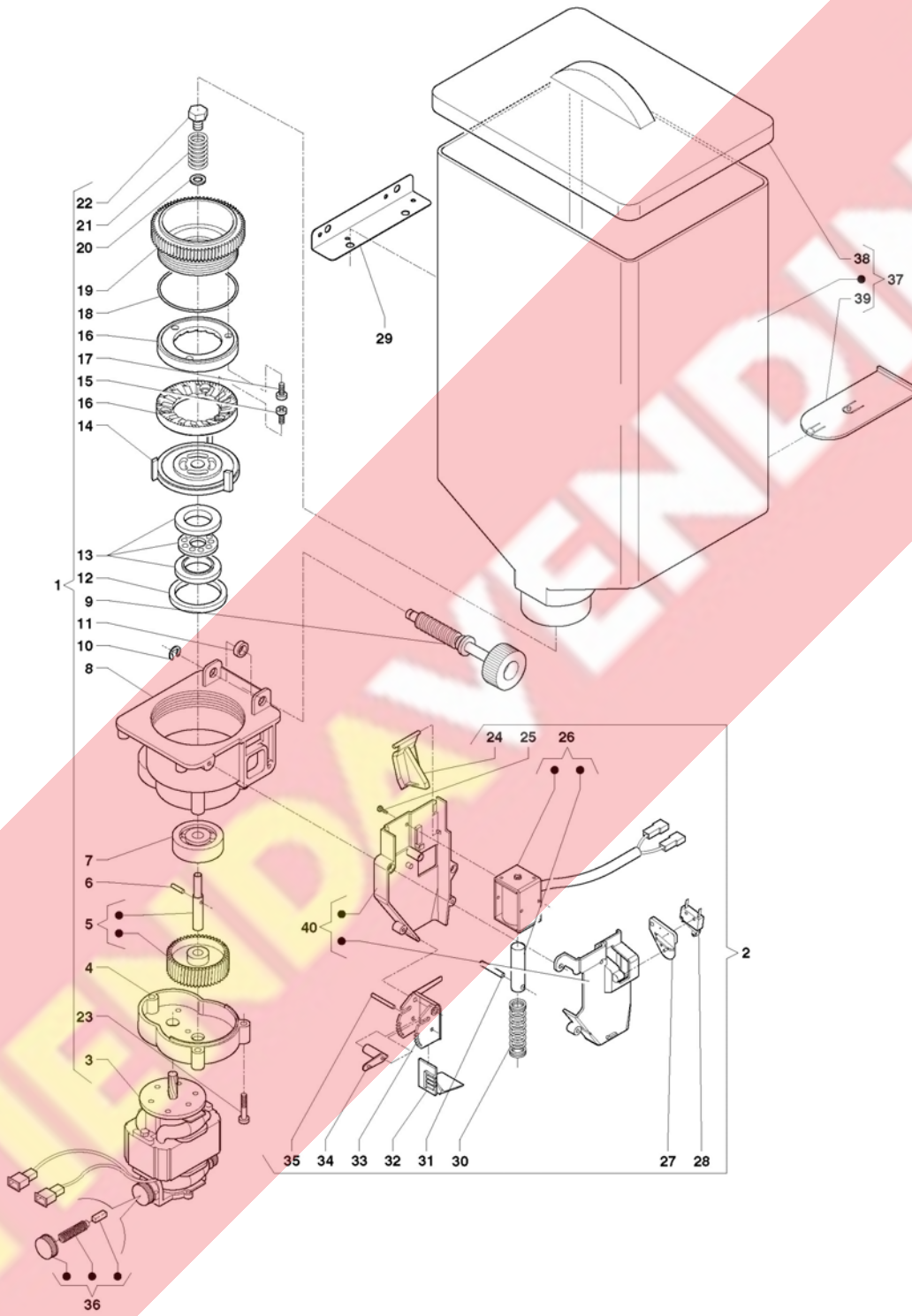


Table :09 - Grinder doser unit

	Code	Description	Notes
1	099336	GRINDER	
2	099337	COFFEE DOSER	
3	099732	GRINDER MOTOR	
4	099468	SUPPORT	
5	099470	SHAFT WHEEL	
6	098293	ELASTIC PLUG	
7	095803	RADIAL BEARING	
8	099469	CAP	
9	099474	REGULATION SCREW	
10	093171	OUTER FIXING COLLAR DIAM MM6	
11	099457	WASHER	
12	093271	COFFEE JUNK RING	
13	093187	THRUST BEARING	
14	095802	GRINDER HOLDER IMPELLER	
15	095809	SELF-THREADING SCREW (M4)	
16	095840	GRINDER	
17	097879	NICKELPLATED SCREW	
18	095805	GASKET O-RING	
19	099473	GRINDER HOLDER	
20	096988	WASHER	
21	099471	SPRING	
22	099472	LEFT SCREW	
23	250290	SCREW 4.2X26	
24	099475	ACTUATOR	
25	092657	CLOSS SLOT SCREW 3X6TC	
26	098716	ELECTROMAGNET 220V	
27	0V2082	ADAPTER PLATE	
28	0V2131	BURGESS MICRO-SWITCH	
29	250417	COUPLING SQUARE	
30	098696	SPRING DOSER ELECTROMAGNET	
31	093832	ROD PIVOT	
32	098643	RULE COFFEE-DOSES	
33	098642	SHUTTER COFFEE-DOSER	
34	098644	LEVER FOR RULE	
35	098822	PIN FOR LEVER	
36	0V3229	MOTORBRUSH KIT	
37	099726	COFFEE-CANISTER COMPLETE	
38	0V1357	CONTAINER COVER	
39	098630	ROLL-UP FOR CONTAINER	
40	251128	COFFEE DOSER-BODY	

Table :10 - Mixer and nozzles

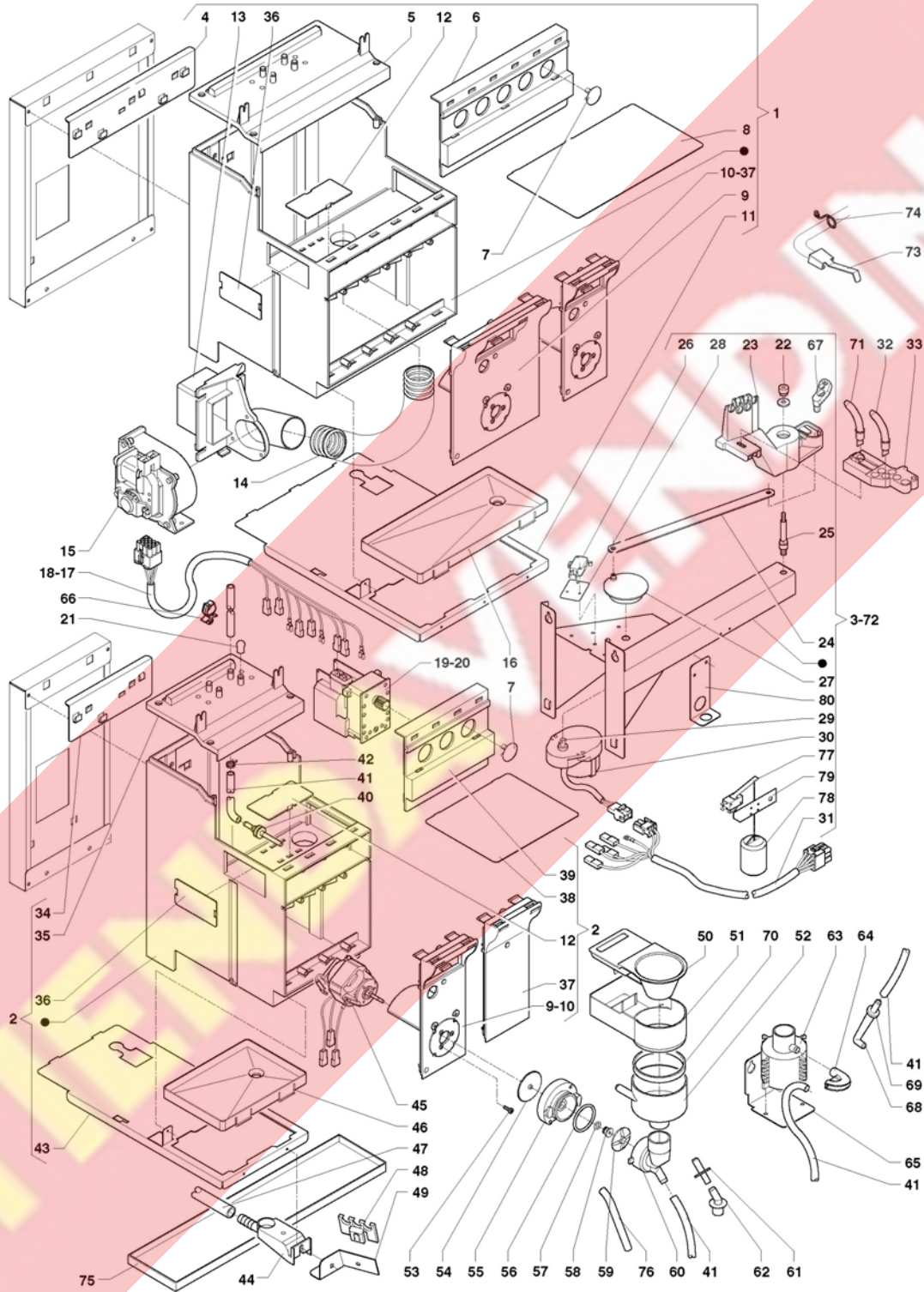


Table :10 - Mixer and nozzles

	Code	Description	Notes
1	0V4201	MIXER BRACKET 231	
2	0V4202	MIXER BRACKET 154	
3	250180	SPOUT MOVING	
4	0V4197	BRACKET SUPPORT 231	
5	0V4203	SUPPORT 231	
6	0V4205	RATIOMOTOR SUPPORT 231	
7	0V4199	PLUG	
8	0V4194	CONTAINER SUPPORT 231	
9	0V4209	DOUBLE SUPPORT '1' MIXER	
10	0V4208	'1' MIXER SUPPORT	
11	0V4193	TRAY SUPPORT 231	
12	0V4211	AIR THROTTLER PLATE	
13	0V4210	FAN SUPPORT	
14	096459	HOSE DIAM 32	
15	098583	ELECTROVENTILATOR	
16	0V2050	BRACKET TRAY 231	
17	0V4216	BRACKET WIRING 231	
18	0V4215	BRACKET WIRING 154	
19	0V3726	RATIOMOTOR 78 RPM	
20	0V3725	RATIOMOTOR 52 RPM	
21	250162	PLUG	
22	093828	KNURL	
23	0V4226	NOZZLE TRANSLATOR ARM	
24	0V3643	CONTROL CON-ROD	
25	0V3655	ARM ROTATION PIN	
26	0V1931	MICROSWITCH 'UL'	
27	251519	CRANK	
28	090681	INSULATING DISK	
29	096904	ELASTIC PLUG 1.5X8	
30	099617	MOTOREDUCER 12G/1 MIN.	
31	250174	MOBILE SPOUT WIRING	
32	097953	POINTED NOZZLE	
33	250163	SPOUT SUPPORT	
34	0V4198	BRACKET SUPPORT 154	
35	0V4204	SUPPORT 154	
36	0V4214	AIR FLOW CLOSING PLATE	
37	0V4207	'0' MIXER SUPPORT	
38	0V4196	CONTAINER SUPPORT 154	
39	0V4206	RATIOMOTOR SUPPORT 154	
40	0V4212	WATER NOZZLE	
41	097511	SILICONE HOSE 6X9 BROWN	
42	094329	HOSE CLIP	

Table :10 - Mixer and nozzles

Code	Description	Notes
43	0V4195	TRAY SUPPORT 154
44	0V4213	RUBBER PIECE HOLDER
45	098808	MOTORMIXER
46	0V2052	BRACKET TRAY 154
47	093628	HOSE VIPLA TRANSPARENT DIAM MM 14X1
48	098728	PIPES-SUPPORT
49	0V2308	RIGHT BRACKET
50	0V1534	DRAWER COVER
51	0V1537	SUCTION DRAWER
52	0V1535	WATER FUNNEL
53	099773	SCREW
54	099889	DISK
55	097911	FLANGE FOR MIXER
56	094540	GASKET O-RING 3125
57	099880	GASKET
58	097917	BUSH SEAL
59	097916	MIXER VENTILATOR
60	097912	CONVEYOR FOR MIXER
61	097914	COFFEE CHOKE
62	097913	ELBOW FOR MIXER
63	097923	COIL FOR TEA
64	251295	COIL UNION FOR TEA
65	0V2003	COIL SUPPORT FOR TEA
66	0V4200	CABLE RETAINER
67	250368	SPOUT SUPPORT
68	099910	DISTRIBUTOR NOZZLE
69	099911	STOPPER FOR NOZZLE
70	0V2252	WATER FUNNEL RING F.B.
71	097922	NOZZLE
72	250412	SPOUT MOTION ASSEMBLY -UK-
73	251016	SPOUT PIPE GUIDE. COLD UNIT
74	251017	GUIDE
75	250410	CONTAINER - INSTANT VERSION -
76	097510	SILICONE HOSE 5X9 BROWN
77	252585	MICROSWITCH
78	094294	FLOAT
79	092761	INSULATING DISK
80	250152	DRAIN PIPE SUPPORT

Table :11 - Containers

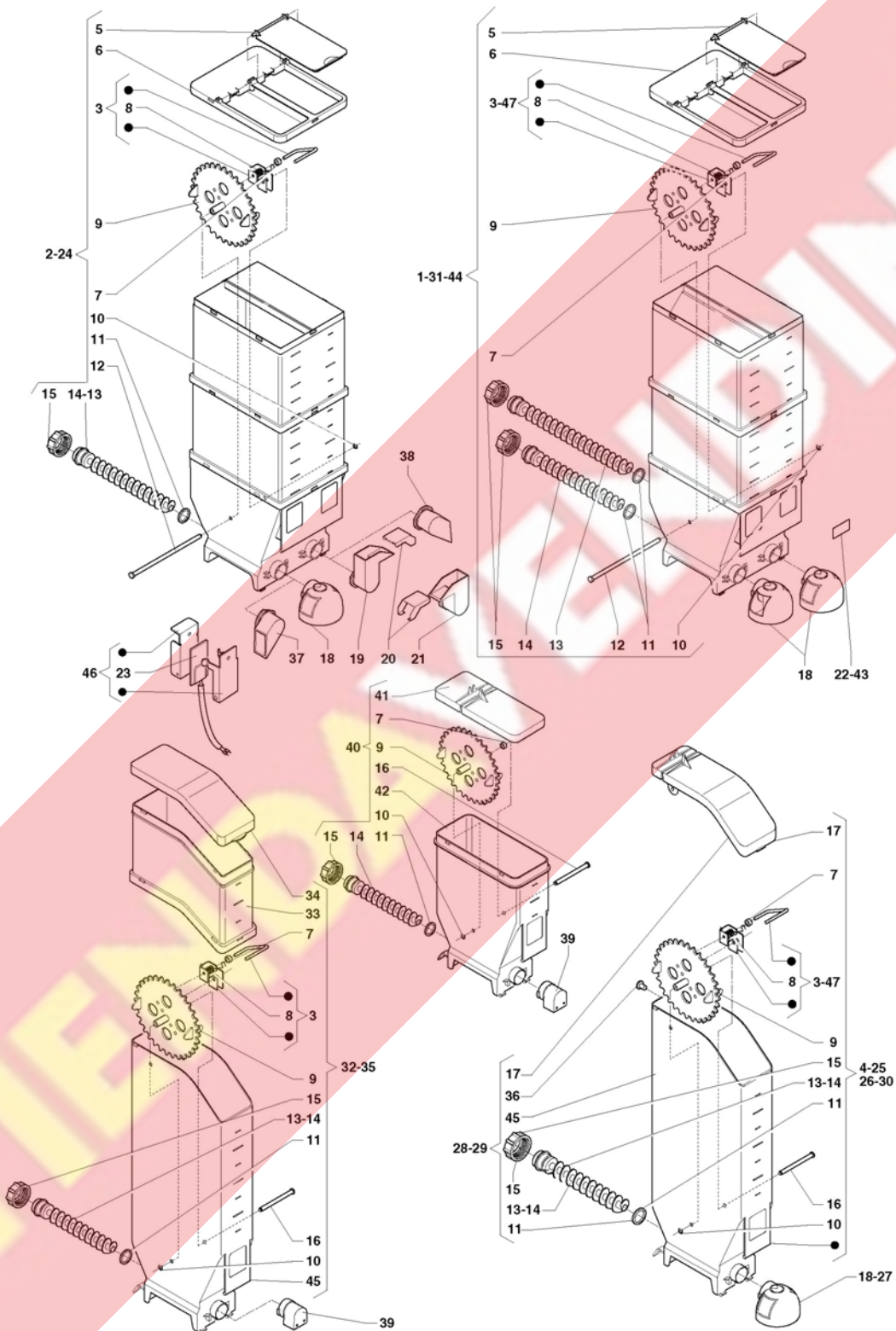


Table :11 - Containers

Code	Description	Notes
1	250183	RH CONTAINER FOR NORMAL AUGER + BEATER
2	0V3682	LEFT NORMAL AUGER CONTAINER+BEATER
3	099494	CANISTER-BEATER
4	0V2173	NORMAL AUGER CONTAINER
5	0V3723	COVER
6	0V3722	CONTAINER EXTENSION COVER
7	098812	SPACER
8	099442	SPRING
9	095936	WHEEL
10	091959	BENZING COLLAR DIAM MM4
11	095829	GASKET O-RING
12	0V3728	WHEEL PIN
13	098608	LONG SCROLL
14	098609	SCROLL
15	095849	CONTAINER RING NUT
16	0V1962	PIN FOR WHEEL
17	0V2048	POWDER CONTAINER LID
18	0V1536	ROUND SPHERICAL CONTAINER OPENING
19	0V2070	RH POWDER FEEDER
20	0V2076	SHORT CONVEYOR COVER
21	0V2072	LH POWDER FEEDER L=38
22	097502	NAMEPLATE GROUP CONTAINER INSTANT P
23	252645	24 VOLT 4 WATT RESISTANCE
24	0V3856	LEFT LONG AUGER CONTAINER
25	0V2174	LONG AUGER CONTAINER
26	0V2177	NORMAL AUGER CONTAINER+BEATER
27	0V3719	SQUARE SPHERICAL OPENING
28	0V2925	STANDARD AUGER CONTAINER WITHOUT WHEEL
29	250775	LONG AUGER CONTAINER WITHOUT WHEEL
30	0V2175	LONG AUGER CONTAINER+BEATER
31	0V3855	RIGHT LONG AUGER CONTAINER+BEATER
32	099922	CONTAINER WITH EXTENSION+BEATER
33	0V2926	CONTAINER EXTENSION
34	0V2927	CONTAINER EXTENSION COVER
35	0V2572	CONTAINER WITH EXTENSION+BEATER
36	099727	STOPPER
37	251035	LH CONVEYOR
38	251036	RH CONVEYOR
39	096868	SQUARE STRAIGHT PIPETTE
40	099334	POWDERS CANISTER
41	099466	LID FOR CONTAINER
42	0V2277	CONTAINER CASING

Table :11 - Containers

	Code	Description	Notes
43	250457	NAMEPLATE GROUP CONTAINER-UK-	
44	251960	SHORT AUGER RIGHT CONTAINER ASSEMBLY	
45	253262	CONTAINER CASING	
46	252646	CONVEYOR HEATER ASSY.	
47	252772	2 LITRE CANISTER BEATER	

TIENDA VENDING

Table :12 - Cup dispenser

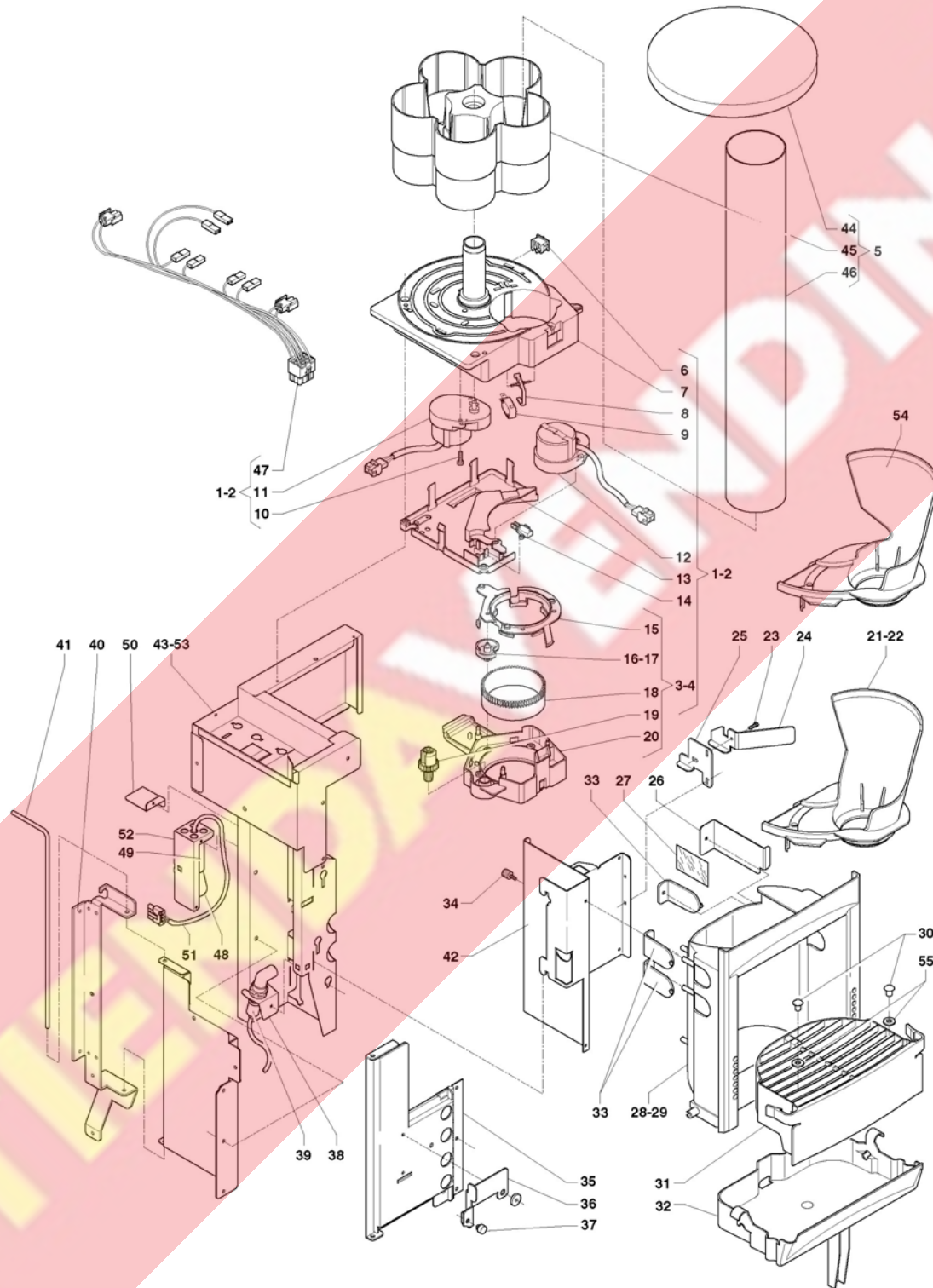


Table :12 - Cup dispenser

	Code	Description	Notes
1	0V3678	CUP DISPENSER 70/71	
2	0V4271	CUP DISPENSER 73/74	
3	0V4187	CUP RELEASING 70/71	
4	0V4190	CUP RELEASING 73/74	
5	250181	CUP CONTAINER	
6	097807	BUTTON	
7	0V3693	CUP BASE	
8	0V2548	LEVER FOR MICROSWITCH	
9	092439	MICRO TYPE 'CHERRY'	
10	987628	EJOT-PT-SCREW 30X8	
11	0V3672	RATIOMOTOR	
12	0V2549	MOTOREDUCTOR 3 G/M	
13	0V3694	MOTOR GEARMOTOR SUPPORT	
14	0V1931	MICROSWITCH 'UL'	
15	0V3696	SNAIL RING	
16	098305	SCROLL DIAM.70/71	
17	0V1659	SNAIL W/DIAM. 73-74	
18	098477	TOOTHED RING	
19	0V3697	MICRO GEAR	
20	0V3695	SNAIL SUPPORT	
21	0V4266	BLACK CUP CHUTE 73/74	
22	250195	BLACK CUP CHUTE 70/71	
23	090615	COLLAR SCREW	
24	0V4219	HOOK	
25	0V4218	HOOK SUPPORT	
26	0V4176	CATADIOPTRIC SUPPORT	
27	0V0906	CATADIOPTRIC PLATE	
28	0V4265	BLACK DISP.OPENING BACK PANEL+HOLES	
29	250246	BLACK DISP.OPENING BACK PANEL	
30	099184	CUP POSITIONING PIN	
31	250354	BLACK DISPENSING OPENING GRID	
32	250347	DISPENSING COMPARTMENT TRAY -BLACK-	
33	0V3717	GLASS	
34	096977	KNURL	
35	0V3685	DOUBLE HINGE	
36	0V3649	BRACKET LOCK-OUT LEVER	
37	092738	WEDGE BUMPER	
38	0V4175	PHOTOCELL SUPPORT	
39	0V2149	PHOTOCELL	
40	0V4220	BRACKET HINGE SUPPORT	
41	0V3654	FULCRUM PIN	
42	251277	DISPENSING COMPARTMENT BACK SUPPORT	

Table :12 - Cup dispenser

Code	Description	Notes
43	0V3684	CUP STATION BRACKET
44	0V3658	CUP CONTAINER COVER
45	0V4107	CONTAINER BASE
46	250161	CUP COLUMN
47	0V3665	CUP DISPENSER WIRING
48	0V2236	FILAMENT LAMP T26/57 CL 25W
49	0V2237	LAMP-HOLDER
50	0V4253	PROTECTION SQUARE
51	0V4269	LAMP WIRE
52	0V4251	LAMP SUPPORT
53	251038	CUP STATION BRACKET -GREY -
54	251182	CUPS CHUTE -UK-
55	096863	PIVOT WASHER



Table :13 .

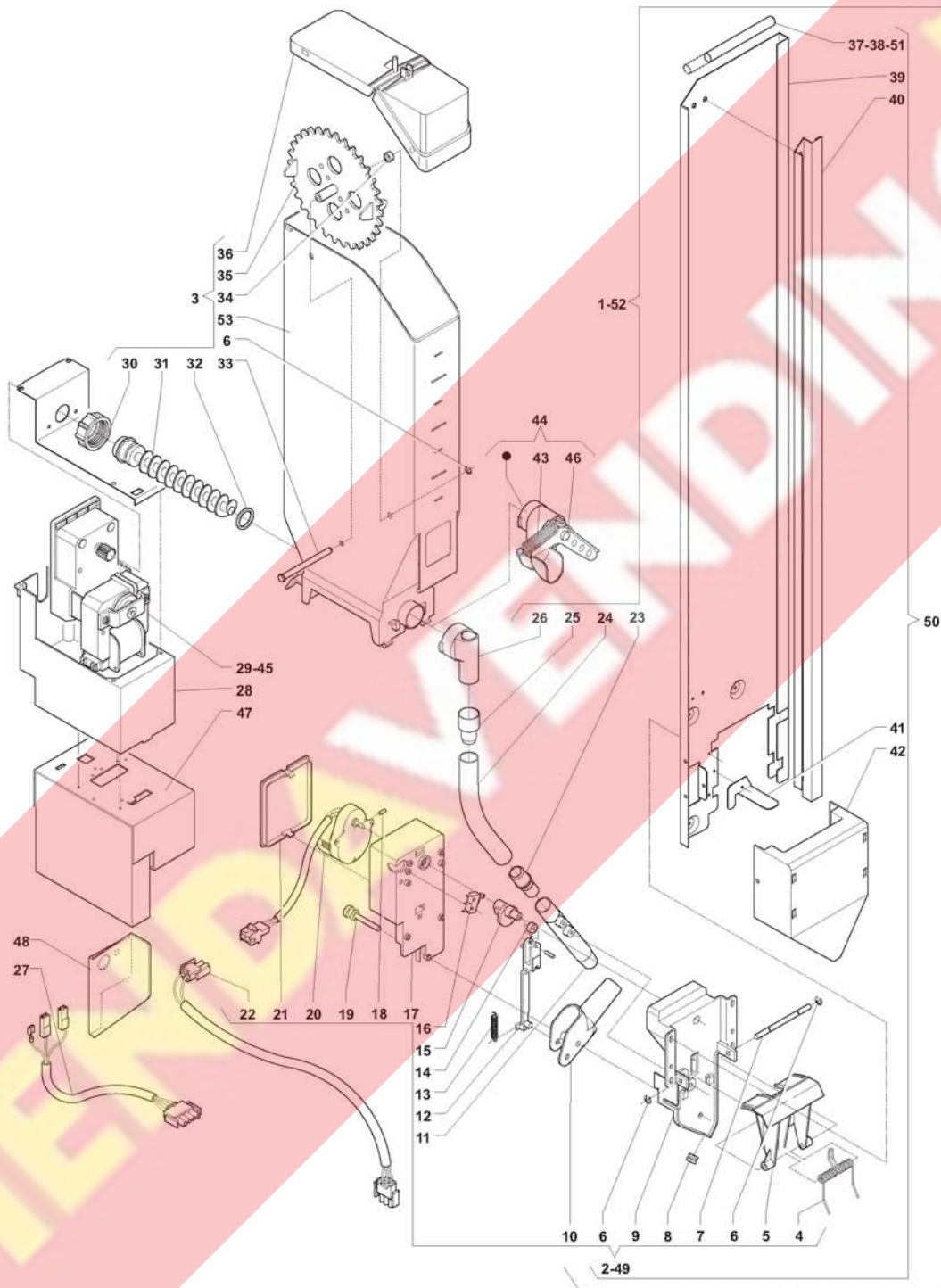


Table :13 - Sugar and spoons dispenser

Code	Description	Notes
1	250184	COMPLET SUGAR/STIRRER DISPENSER
2	0V3663	SUGAR/STIRRER DISPENSER
3	253332	SUGAR CONTAINER ASSEMBLY
4	099602	SPRING
5	099610	LEVER
6	091959	BENZING COLLAR DIAM MM4
7	098352	STIRRING BARS EJECTING PIN
8	098853	PASS-WIRE
9	099607	BODY
10	099721	SUGAR NOZZLE
11	098356	SUGAR PIPE
12	099605	ROD
13	099616	SPRING
14	099604	ROLLER
15	099606	CAM
16	096355	MICRO SWITCH -UL -
17	099608	SUPPORT
18	096904	ELASTIC PLUG 1.5X8
19	0V2949	SUGAR SPOUT PIN
20	099397	MOTOR REDUCTOR 6G/1 MIN.
21	099609	COVER
22	0V3666	STIRRER DISPENSER WIRING
23	099375	HOSE COUPLING
24	098719	PVC PIPE 14X19(A METER)
25	0V3657	PIPE COUPLING
26	098939	ROUND STRAIGHT PIPETTE
27	0V3667	SUGAR DOSING UNIT WIRING
28	0V3710	CONTAINER BASE BRACKET
29	0V3673	SUGAR RATIOMOTOR 52 RPM
30	095849	CONTAINER RING NUT
31	098609	SCROLL
32	095829	GASKET O-RING
33	0V1962	PIN FOR WHEEL
34	098812	SPACER
35	095936	WHEEL
36	253333	SUGAR CONTAINER COVER
37	099720	STIRRER BAR WEIGHT L=105
38	090203	STIRRER BAR WEIGHT L=95
39	250146	90 - 115 STIRRER COLUMN
40	250153	STIRRER ROD
41	0V3830	STIRRING GUIDE SQUARE
42	0V3022	STIRRER CHUTE

Table :13 - Sugar and spoons dispenser

Code	Description	Notes
43 093978	SPRING FOR ACTUATOR	
44 0V4274	SUGAR CONVEYOR ASSY.	
45 250868	SUGAR RATIONMOTOR 78 RPM	
46 987612	EJOT-PT-SCREW 4X12	
47 250242	SUPPORT	
48 250241	SQUARE PIECE	
49 0V3857	STIRRER DISPENSER	
50 251949	PREMIX SUGAR/STIRRER DISPENSER	
51 252034	115 MM STIRRER BAR WEIGHT	
52 252171	105-115 STIRRER DISPENSER	
53 253262	CONTAINER CASING	



Table :14 - Coffee-Espresso double bracket

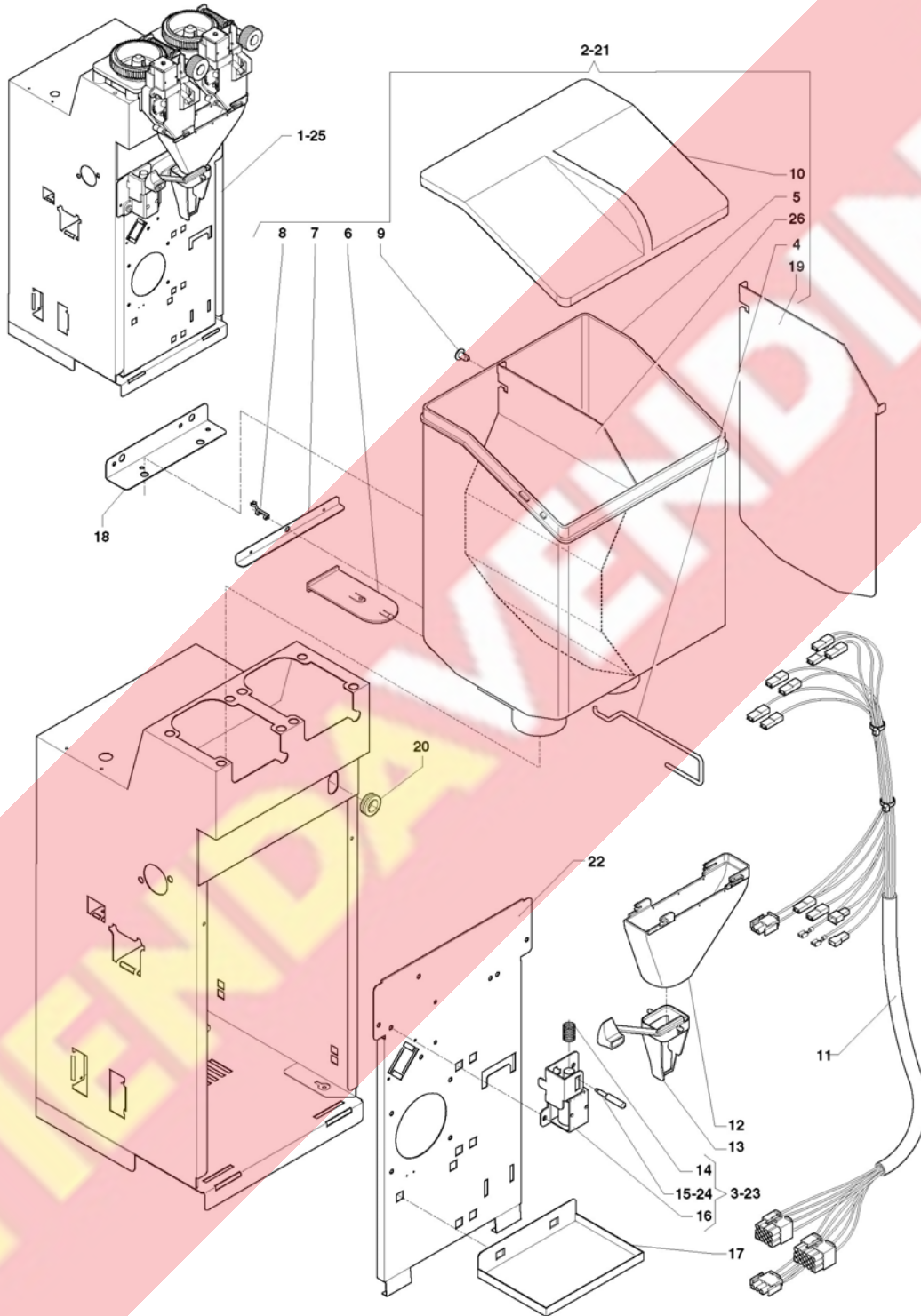


Table :14 - Coffee-Espresso double bracket

Code	Description	Notes
1 251198	COFFEE-ESPRESSO DOUBLE BRACKET	
2 250297	DOUBLE COFFEE CONTAINER ASSY.	
3 250298	COFFEE DEFLECTOR	
4 250300	SHUTTER HOOK	
5 250042	DOUBLE CONTAINER POUR COFFEE	
6 098630	ROLL-UP FOR CONTAINER	
7 250299	SHUTTER SQUARE	
8 093809	COUPLING	
9 099727	STOPPER	
10 250041	COVER FOR DOUBLE CONTAINER	
11 250296	DOUBLE COFFEE BRACKET SUPPORT	
12 250043	CONVEYOR DOUBLE FOR COFFEE	
13 250044	COFFEE DEFLECTOR	
14 098696	SPRING DOSER ELECTROMAGNET	
15 250295	ELECTROMAGNET PIN	
16 098716	ELECTROMAGNET 220V	
17 250294	COFFEE TRAY	
18 250417	COUPLING SQUARE	
19 251215	50/50 SEPARATOR	
20 093312	WHIPPING DIAM MM 12 ART 46	
21 251124	50/50 COFFEE CONTAINER ASSEMBLY	
22 251932	COFFEE-ESPRESSO DOUBLE BRACKETSLIDER	
23 251934	COFFEE DEFLECTOR-VERS.HEATER-	
24 251933	ELECTROMAGNET PIN FOR Z3000	
25 251931	COFFEE-ESPRESSO DOUBLE BRACKETASSEMBLY-ITALY	
26 253473	30/70 SEPARATOR	

Table :15 - Pin and connectors

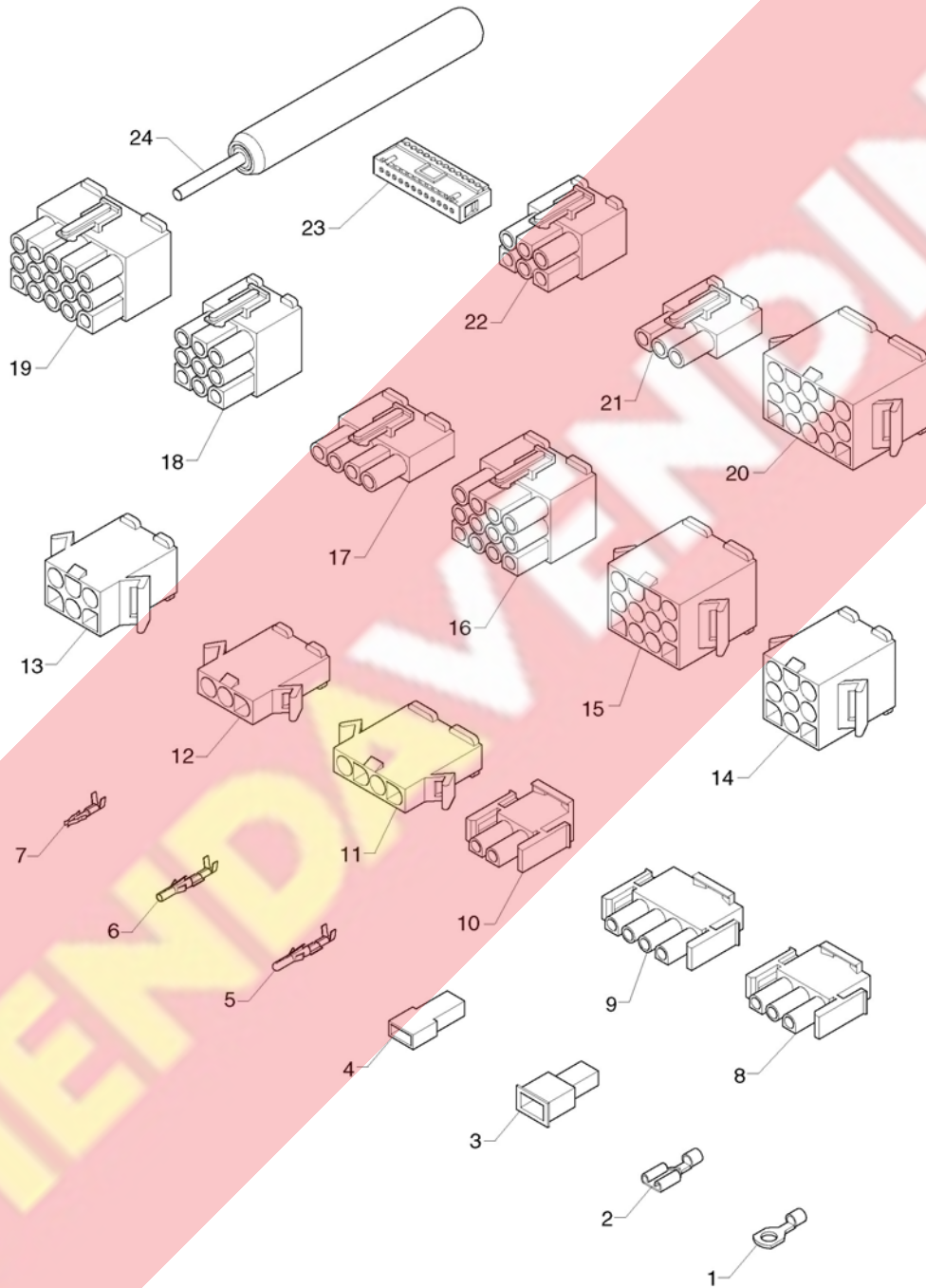


Table :15 - Pin and connectors

	Code	Description	Notes
1	090957	EYELET TERMINAL	
2	090959	FASTON W/O TONGUE	
3	091192	FASTON COVER	
4	090247	FEMALE FASTON COVER	
5	095955	TERMINAL MALE	
6	096136	TERMINAL FEMALE	
7	094405	TERMINAL FEMALE 2.5	
8	094954	FEMALE HOLDER CONNECTOR 3-WAYS	
9	098062	4-WAY CONNECTOR MATE-N-LOK AMP	
10	094955	FEMALE HOLDER CONNECTOR 2-WAYS	
11	0V0809	4-PIN CONNECTOR/P MOLEX 3191	
12	0V0808	3-PIN CONNECTOR/P MOLEX 3191	
13	0V0810	6-PIN CONNECTOR/P MOLEX 3191	
14	0V0811	9-PIN CONNECTOR/P MOLEX 3191	
15	0V0812	12-PIN CONNECTOR/P MOLEX 3191	
16	0V0818	12-PIN CONNECTOR/P MOLEX 3191	
17	0V0815	4-PIN CONNECTOR/P MOLEX 3191	
18	0V0817	9-PIN CONNECTOR/P MOLEX 3191	
19	0V0819	15-PIN CONNECTOR/P MOLEX 3191	
20	0V0813	15-PIN CONNECTOR/P MOLEX 3191	
21	0V0814	3-PIN CONNECTOR/P MOLEX 3191	
22	0V0816	6-PIN CONNECTOR/P MOLEX 3191	
23	094961	FEMALE HOLDER CONNECTOR P.I. 12-W	
24	0V0820	MOLEX CONTACT PULLER	

Table :16 - Cup dispenser (12 OZ version)

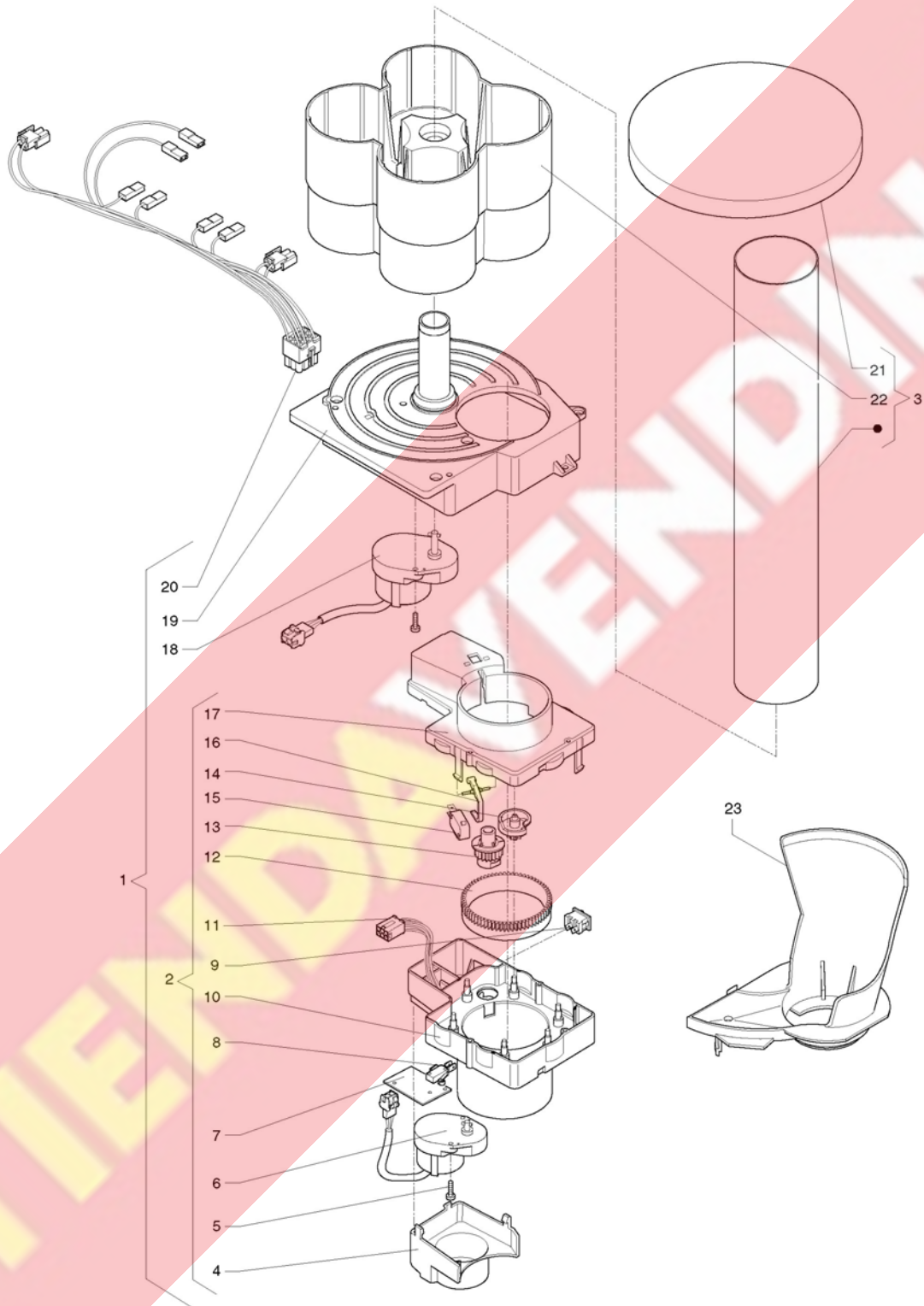


Table :16 - Cup dispenser (12 OZ version)

Code	Description	Notes
1 253865	CUPS DISTRIBUTOR -12OZ- 230V	
2 253867	CUP RELEASING -12OZ- 230V	
3 253866	CUPS-CONTAINER-12OZ- ASTRO	
4 252556	MOTOR COVER	
5 987628	EJOT-PT-SCREW 30X8	
6 0V2549	MOTOREDUCTOR 3 G/M	
7 090681	INSULATING DISK	
8 096355	MICRO SWITCH -UL -	
9 097807	BUTTON	
10 252554	LOWER SHELL -12 OZ-	
11 252560	CUP RELEASING WIRING	
12 252559	TOOTHED RING -12 OZ-	
13 252558	PINION	
14 252557	SCROLL DIAM.80/81	
15 092439	MICRO TYPE 'CHERRY'	
16 0V2548	LEVER FOR MICROSWITCH	
17 252555	UPPER SHELL -12 OZ-	
18 0V3672	RATIOMOTOR	
19 252552	CUP BASE -12 OZ-	
20 252844	CUP DISPENSER WIRING -12OZ-	
21 0V3658	CUP CONTAINER COVER	
22 252551	CONTAINER BASE -12 OZ-	
23 252785	CUPS CHUTE -12 OZ-	

Table :17 - Oversize chamber coffee unit

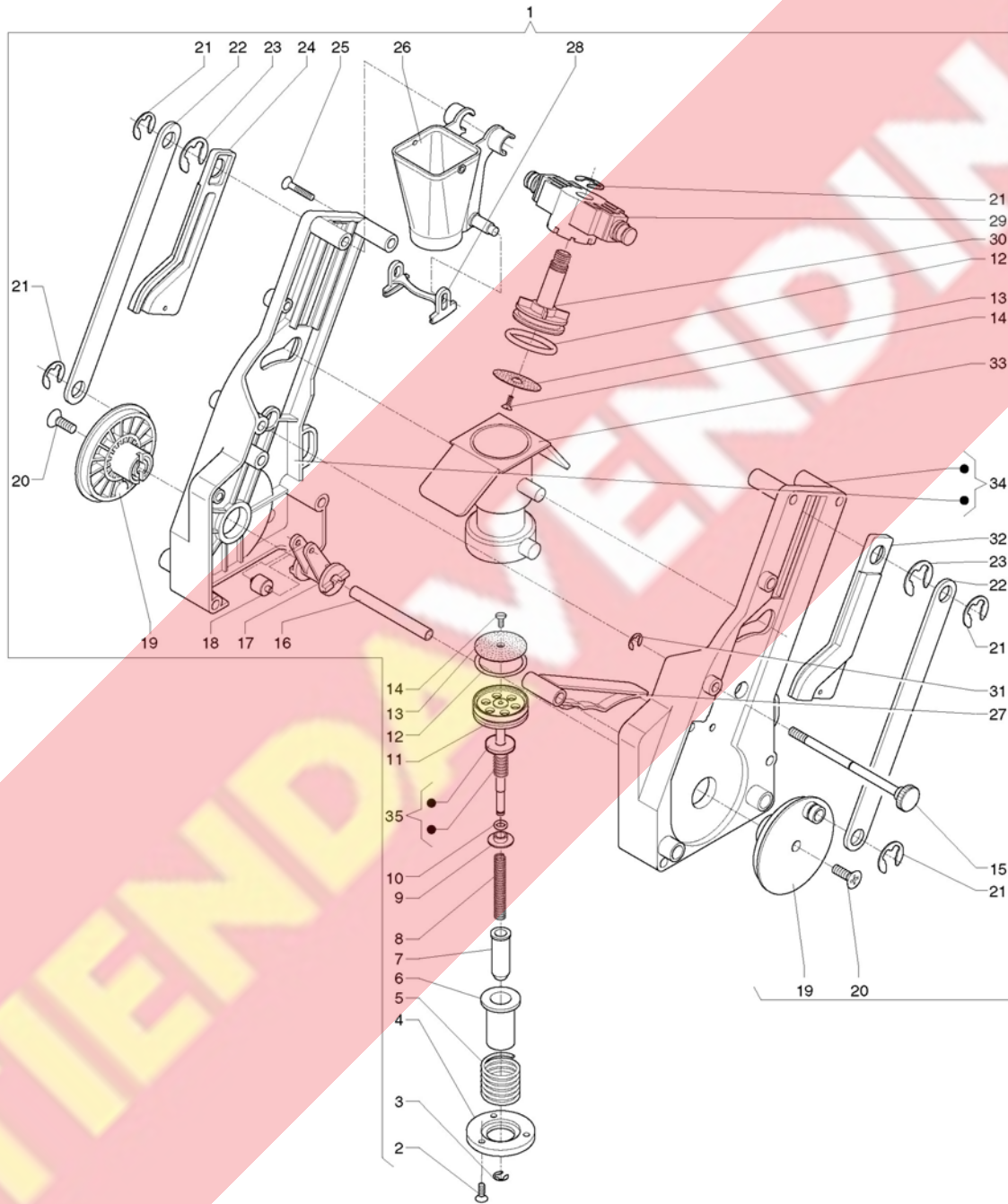


Table :17 - Oversize chamber coffee unit

Code	Description	Notes
1	251753	Z3000L COFFEE ASSEMBLY
2	097879	NICKELPLATED SCREW
3	098818	STOPPING RING D.4
4	098569	FLANGE FOR SPRING
5	098689	PREINFUSION SPRING
6	098567	LID FOR SPRING
7	098691	LOWER PISTON GUIDE
8	098688	PISTON RETURN SPRING
9	251756	RETAINER BUSHING
10	090421	GASKET OR 2025
11	251759	LOWER PISTON
12	251757	SILICONE OR SEAL GASKET
13	251755	DIAM. 42 COFFEE FILTER
14	094508	SCREW TS M4X10
15	252020	TIEROD WITH KNURLED NUT
16	098693	ROD CRANK BLOCKING
17	098574	ROTATING LEVER
18	098692	ROTATING LEVER ROLL
19	252491	COFFEE GROUP CRANK
20	0V3889	SCREW 6X14
21	092717	FIXING COLLAR DIAM MM10
22	098565	TRACE FOR PISTON COMMAND
23	096569	FIXING COLLAR DIAM 12
24	098571	REAR SLEDGE
25	250290	SCREW 4.2X26
26	251739	Z3000 COFFEE CHUTE
27	098575	OSCILLATING LEVER
28	251761	COFFEE SCRAPER
29	098568	CROSS-BAR
30	251758	UPPER PISTON
31	091287	OUTER FIXING COLLAR
32	098572	FRONT SLEDGE
33	251760	OVERSIZE INFUSION CHAMBER
34	251101	RH-LH SUPPORT
35	253502	PISTON VALVE + SPRING