

Table :01 - Door - External side

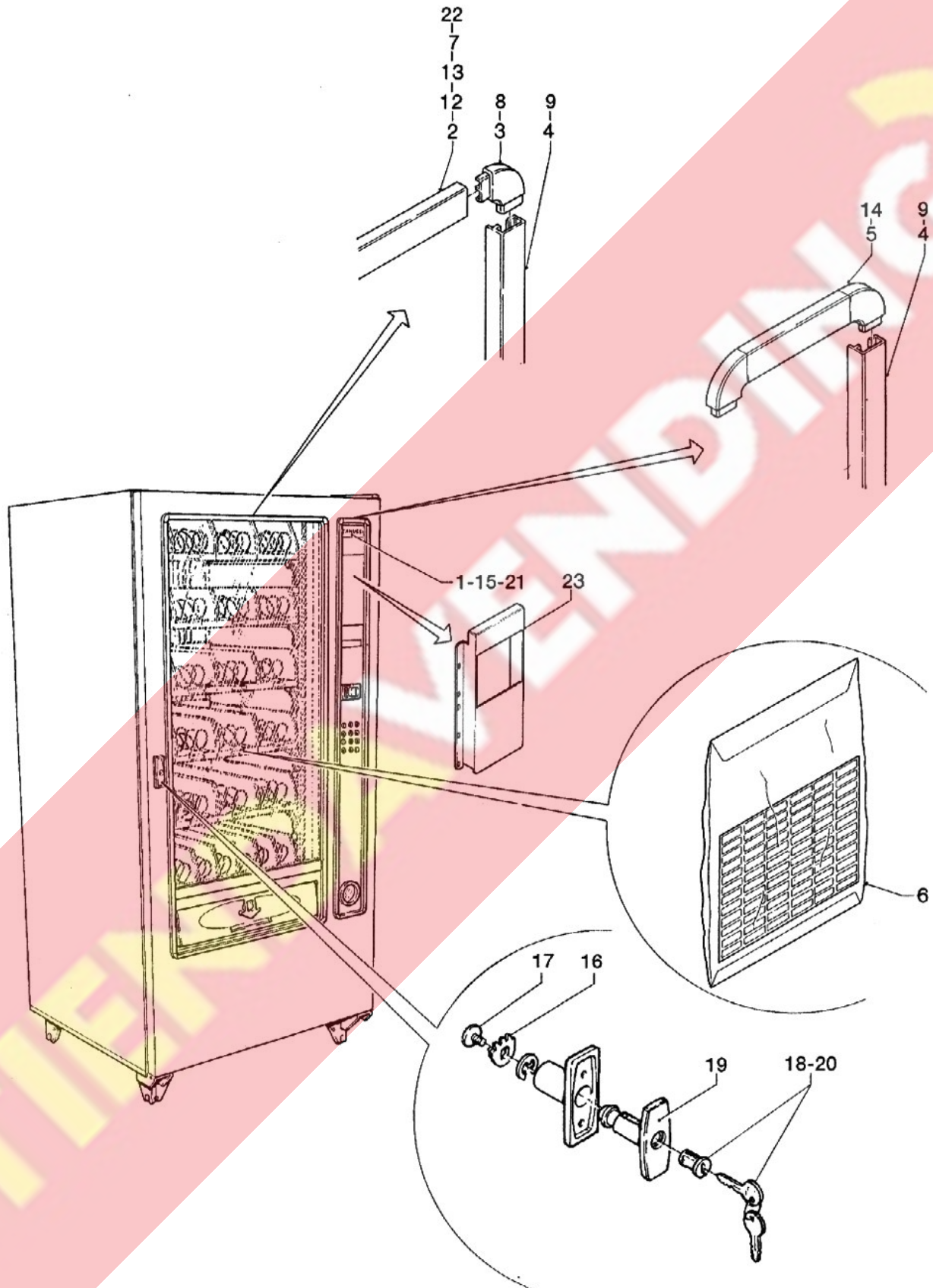


Table :01 - Door - External side

	Code	Description	Notes
1	0V1610	LOGOTYPE PLATE 'SPRING'	
2	0V0029	HORIZONTAL PROFIL	MODEL 850
3	098995	PROFILES UNION	
4	098992	VERTICAL PROFILE	
5	099804	FRAME	
6	0V0152	PRICES PLATES	
7	0V2797	BLACK HORIZONTAL PROFILE	
8	0V0831	PROFILE JUNCTION 'BLACK'	
9	0V0823	VERTICAL PROFILE 'BLACK'	
12	0V0122	HORIZONTAL PROFIL	MODEL 700
13	0V0134	HORIZONTAL PROFIL	MODEL 1000
14	0V0830	PROFILE WITH JUNCTIONS 'BLACK'	MODEL 700
15	0V2782	LOGO PLATE (FM)	
16	0V0037	PINION	
17	0V0038	SCREW	
18	987352	LOCK RIELDA 4000 AE045C	
19	0V1317	'T'-SHAPED LOCK HANDLE	
20	985766	LOCK	
21	0V2777	MARS ADHESIVE LABEL	
22	0V2831	BLACK HORIZONTAL PROFILE SM 1000	MODEL 1000
23	0V2938	CHIPPER-CHIPKNIP SYSTEM ELEMENT	

Table :02 - Door - Internal side

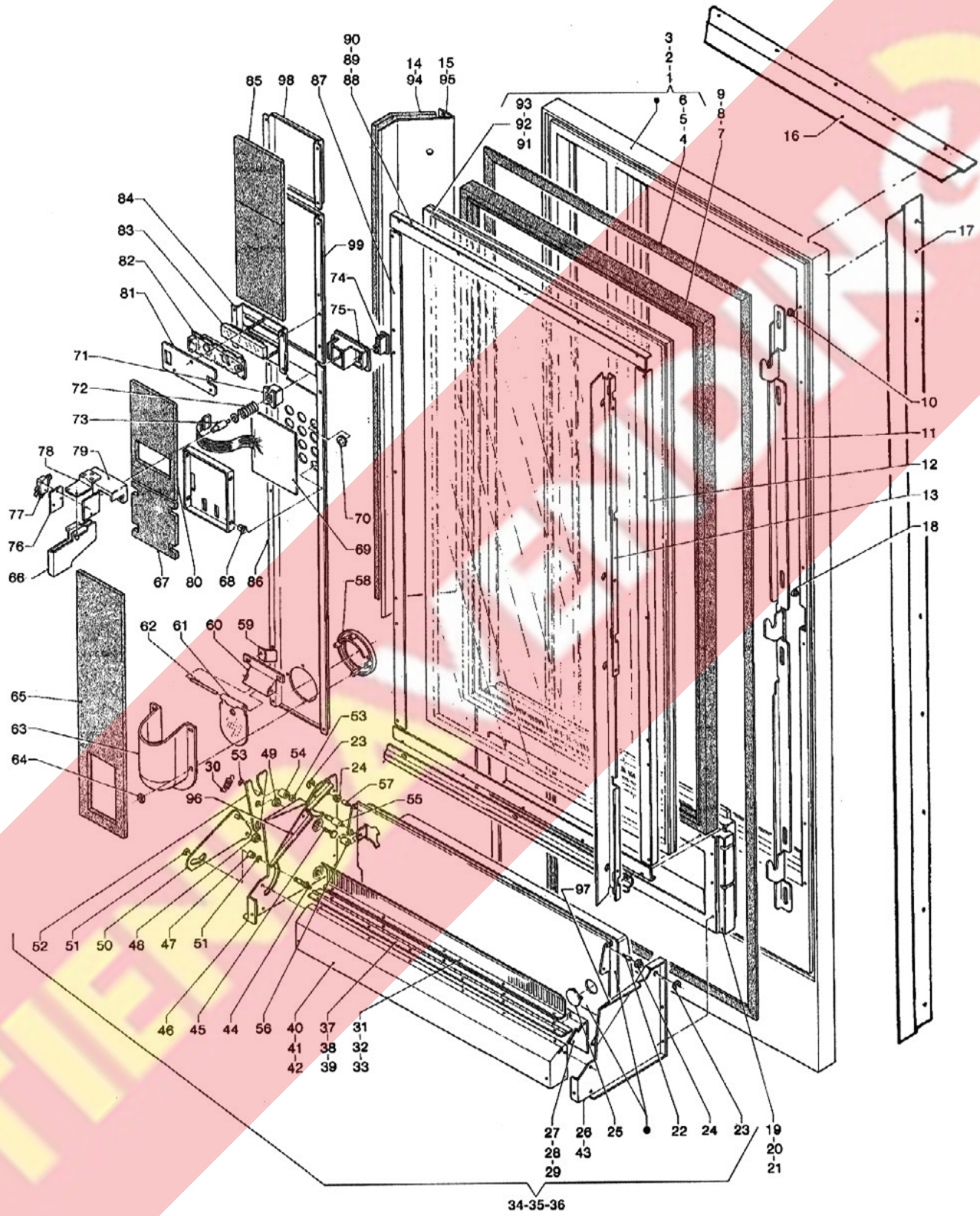


Table :02 - Door - Internal side

	Code	Description	Notes
1	0V0873	'BLACK' DOOR	MODEL 850
1	0V0027	DOOR	MODEL 850
2	0V1340	'BLACK' DOOR	MODEL 700
2	0V0128	DOOR	MODEL 700
3	0V0139	DOOR	MODEL 1000
3	0V2815	BLU DOOR - SPRING 1000	MODEL 1000
4	0V0203	DOOR GASKET	MODEL 850
5	0V0204	DOOR GASKET	MODEL 700
6	0V0205	DOOR GASKET	MODEL 1000
7	0V0034	GLASS GASKET	MODEL 850
8	0V0120	GLASS GASKET	MODEL 700
9	0V0133	GLASS GASKET	MODEL 1000
10	0V0040	BUSH	
11	0V0039	DOOR LOCKING	
12	0V0193	PROFIL	
13	0V0196	BULKHEAD	
14	0V1819	LAMP INSULATION	2ND LAMP KIT
15	0V1845	REFLECTING WALL	2ND LAMP KIT
16	0V2772	BLACK DOOR UPPER ARMOR PLATING	
17	0V2776	BLACK DOOR LH ARMOR PLATING	
18	0V0041	BUSH	
19	0V0032	FRAME	MODEL 850
20	0V0123	FRAME	MODEL 700
21	0V0135	FRAME	MODEL 1000
22	0V0058	PIN	
23	091357	OUTER BENZING COLLAR DIAM MM7	
24	0V0050	BUSH FOR PLATE	
25	094030	OUTER CAP	
26	0V0049	LEFT PLATE	MODELS 850 - 1000
27	0V2615	SHUTTER SPRING 850	MODEL 850
28	0V2613	SHUTTER SPRING 700	MODEL 700
29	0V2612	SHUTTER SPRING 1000	MODEL 1000
30	0V0574	REACTION LEVER SPRING	
31	0V0056	AERATOR	MODEL 850
32	0V0117	AERATOR	MODEL 700
33	0V0130	AERATOR	MODEL 1000
34	0V0057	COMPLETE DISPENSER SPRING 850	MODEL 850
35	0V0127	COMPLETE DISPENSER SPRING 700	MODEL 700
36	0V0140	COMPLETE DISPENSER SPRING 1000	MODEL 1000
37	0V0012	HINGE	MODEL 850
38	0V0125	HINGE	MODEL 700
39	0V0137	HINGE	MODEL 1000

Table :02 - Door - Internal side

Code	Description	Notes	
40	0V0051	PLATE	MODEL 850
41	0V0206	PLATE	MODEL 700
42	0V0208	PLATE	MODEL 1000
43	0V0210	PLATE	MODEL 700
44	0V2618	PIN FOR SHUTTER	
45	0V0044	PIN	
46	0V2614	RH SLIDER PLATE	
47	0V2619	BUSH	
48	0V0048	BUSH FOR LEVER	
49	0V0045	BUSH FOR LEVER	
50	0V2620	LEVER	
51	091287	OUTER FIXING COLLAR	
52	0V0046	LEVER	
53	098818	STOPPING RING D.4	
54	0V2617	BUSH	
55	0V2616	PIN	
56	0V0061	SPACER FOR PIN	
57	0V0058	PIN	
58	097140	MONEY RETURN FRAME (GREY)	
59	098246	CONVEYOR FIXING BRACKET	
60	097455	MONEY RETURN SHUTTER BRACKET	
61	093890	MONEY RETURN SHUTTER	
62	093891	SHUTTER PIVOT	
63	0V0071	COIN-CONVEYOR	
64	093829	LEVER LOCK CLIP	
65	0V0201	INSULATOR	
66	0V0069	COIN-CHUTE	
67	0V0200	INSULATOR	
68	094111	INSULATING DOLLY BLOCK	
69	0V0070	MEMBRANE CONTROL PANEL	
70	099134	BUTTON	
71	097395	MONEY RETURN BUTTON GREY	
72	987751	SPRING	
73	987752	RETURN BOLT	
74	095890	LUMINOUS INDICATOR ORANGE	
75	097394	MONEY RETURN BADGE GREY	
76	090681	INSULATING DISK	
77	0V0067	MICROSWITCH	
78	0V0068	BRACKET FOR CHUTE	
79	0V0066	MICROSWITCH SUPPORT	
80	0V0199	INSULATOR	
81	098151	DISPLAY FIXING PLATE	

Table :02 - Door - Internal side

Code	Description	Notes
82 251690	DISPLAY 2X20BLUE	
83 0V0065	GLASS FOR DISPLAY	
84 0V0063	DISPLAY SUPPORT	
85 0V0202	INSULATOR	
86 0V1942	CONTROL PANEL	
87 0V0035	PROFIL 'LEFT'	
88 0V0036	PROFIL	MODEL 850
89 0V0194	PROFIL	MODEL 700
90 0V0195	PROFIL	MODEL 1000
91 251571	SPRING 850 DOOR GLASS	MODEL 850
92 0V0124	DOOR GLASS	MODEL 700
93 0V0136	DOOR GLASS	MODEL 1000
94 0V0198	INSULATOR	
95 0V0197	BULKHEAD	
96 0V1651	RIGHT DOOR PLATE	
97 0V1652	LEFT DOOR PLATE	
98 253106	GREY NEUTRAL ELEMENT	
99 252877	GREY DOUBLE ELEMENT	



Table :03 - Door: internal side - SM version

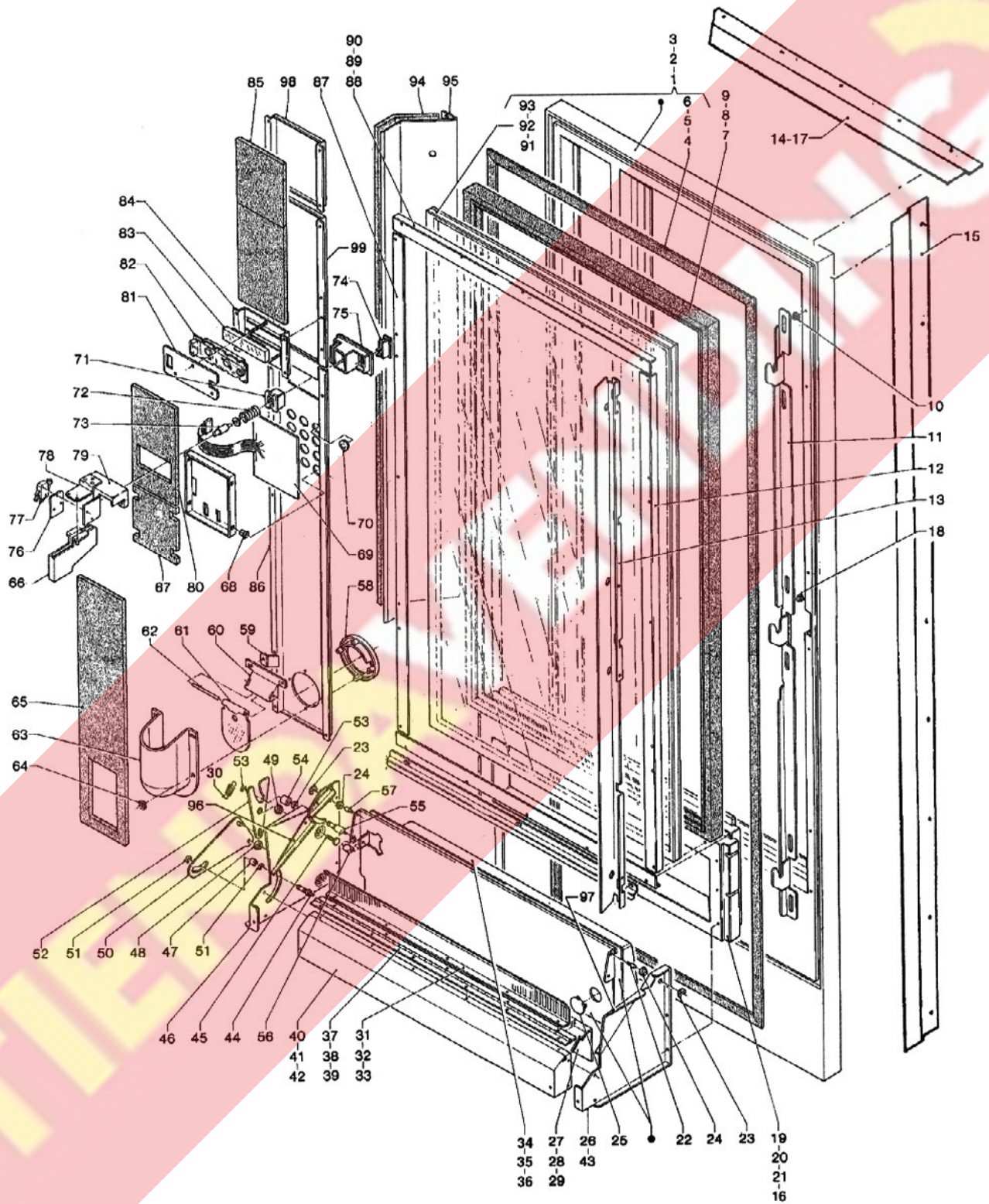


Table :03 - Door, internal side - SM version

	Code	Description	Notes
1	0V2814	WHITE DOOR (SM)	MODEL 850
2	0V2820	WHITE DOOR SM 700	MODEL 700
3	0V2827	WHITE DOOR 1000	MODEL 1000
4	0V0203	DOOR GASKET	MODEL 850
5	0V0204	DOOR GASKET	MODEL 700
6	0V0205	DOOR GASKET	MODEL 1000
7	0V0034	GLASS GASKET	MODEL 850
8	0V0120	GLASS GASKET	MODEL 700
9	0V0133	GLASS GASKET	MODEL 1000
10	0V0040	BUSH	
11	0V0039	DOOR LOCKING	
12	0V0193	PROFIL	
13	0V0196	BULKHEAD	
14	0V2822	WHITE DOOR UPPER ARMOR PLATING 700	MODEL 700
15	0V2788	WHITE DOOR LH ARMOR PLATING	MODEL 1000
16	0V2832	BLACK FRAME SM 1000	MODEL 1000
17	0V2824	WHITE DOOR UPPER ARMOR PLATING 1000	MODEL 1000
18	0V0041	BUSH	
19	0V0032	FRAME	MODEL 850
20	0V0123	FRAME	MODEL 700
21	0V0135	FRAME	MODEL 1000
22	0V0058	PIN	
23	091357	OUTER BENZING COLLAR DIAM MM7	
24	0V0050	BUSH FOR PLATE	
25	094030	OUTER CAP	
26	0V0049	LEFT PLATE	MODELS 850 - 1000
27	0V2615	SHUTTER SPRING 850	MODEL 850
28	0V2613	SHUTTER SPRING 700	MODEL 700
29	0V2612	SHUTTER SPRING 1000	MODEL 1000
30	0V0574	REACTION LEVER SPRING	
31	0V0056	AERATOR	MODEL 850
32	0V0117	AERATOR	MODEL 700
33	0V0130	AERATOR	MODEL 1000
34	0V2794	BLACK SLIDER	MODEL 850
35	0V2821	SLIDER SM 700	MODEL 700
36	0V2828	SLIDER SM 1000	MODEL 1000
37	0V0012	HINGE	MODEL 850
38	0V0125	HINGE	MODEL 700
39	0V0137	HINGE	MODEL 1000
40	0V0051	PLATE	MODEL 850
41	0V0206	PLATE	MODEL 700
42	0V0208	PLATE	MODEL 1000

Table :03 - Door, internal side - SM version

Code	Description	Notes
43	0V0210	PLATE
		MODEL 700
44	0V2618	PIN FOR SHUTTER
45	0V0044	PIN
46	0V2614	RH SLIDER PLATE
47	0V2619	BUSH
48	0V0048	BUSH FOR LEVER
49	0V0045	BUSH FOR LEVER
50	0V2620	LEVER
51	091287	OUTER FIXING COLLAR
52	0V0046	LEVER
53	098818	STOPPING RING D.4
54	0V2617	BUSH
55	0V2616	PIN
56	0V0061	SPACER FOR PIN
57	0V0058	PIN
58	0V0834	COIN RECOVERY FRAME 'BLACK'
59	098246	CONVEYOR FIXING BRACKET
60	097455	MONEY RETURN SHUTTER BRACKET
61	093890	MONEY RETURN SHUTTER
62	093891	SHUTTER PIVOT
63	0V2792	BLACK COIN CHUTE
64	093829	LEVER LOCK CLIP
65	0V0201	INSULATOR
66	0V0069	COIN-CHUTE
67	0V0200	INSULATOR
68	094111	INSULATING DOLLY BLOCK
69	0V2793	BLACK MEMBRANE-TYPE PUSH-BUTTON PANEL
70	099134	BUTTON
71	0V0835	PUSH-BUTTON 'BLACK'
72	987751	SPRING
73	987752	RETURN BOLT
74	095890	LUMINOUS INDICATOR ORANGE
75	0V0832	COIN INSERT FRAME 'BLACK'
76	090681	INSULATING DISK
77	0V0067	MICROSWITCH
78	0V0068	BRACKET FOR CHUTE
79	0V0066	MICROSWITCH SUPPORT
80	0V0199	INSULATOR
81	098151	DISPLAY FIXING PLATE
82	251690	DISPLAY 2X20BLUE
83	0V0065	GLASS FOR DISPLAY
84	0V0063	DISPLAY SUPPORT

Table :03 - Door, internal side - SM version

Code	Description	Notes	
85	0V0202	INSULATOR	
86	0V2786	CONTROL PANEL (FS)	
87	0V0035	PROFIL 'LEFT'	
88	0V0036	PROFIL	MODEL 850
89	0V0194	PROFIL	MODEL 700
90	0V0195	PROFIL	MODEL 1000
91	251571	SPRING 850 DOOR GLASS	MODEL 850
92	0V0124	DOOR GLASS	MODEL 700
93	0V0136	DOOR GLASS	MODEL 1000
94	0V0198	INSULATOR	
95	0V0197	BULKHEAD	
96	0V1651	RIGHT DOOR PLATE	
97	0V1652	LEFT DOOR PLATE	
98	0V1681	BLACK NEUTRAL ELEMENT	
99	0V0826	DOUBLE ELEMENT 'BLACK'	

Table :04 - Cabinet assv

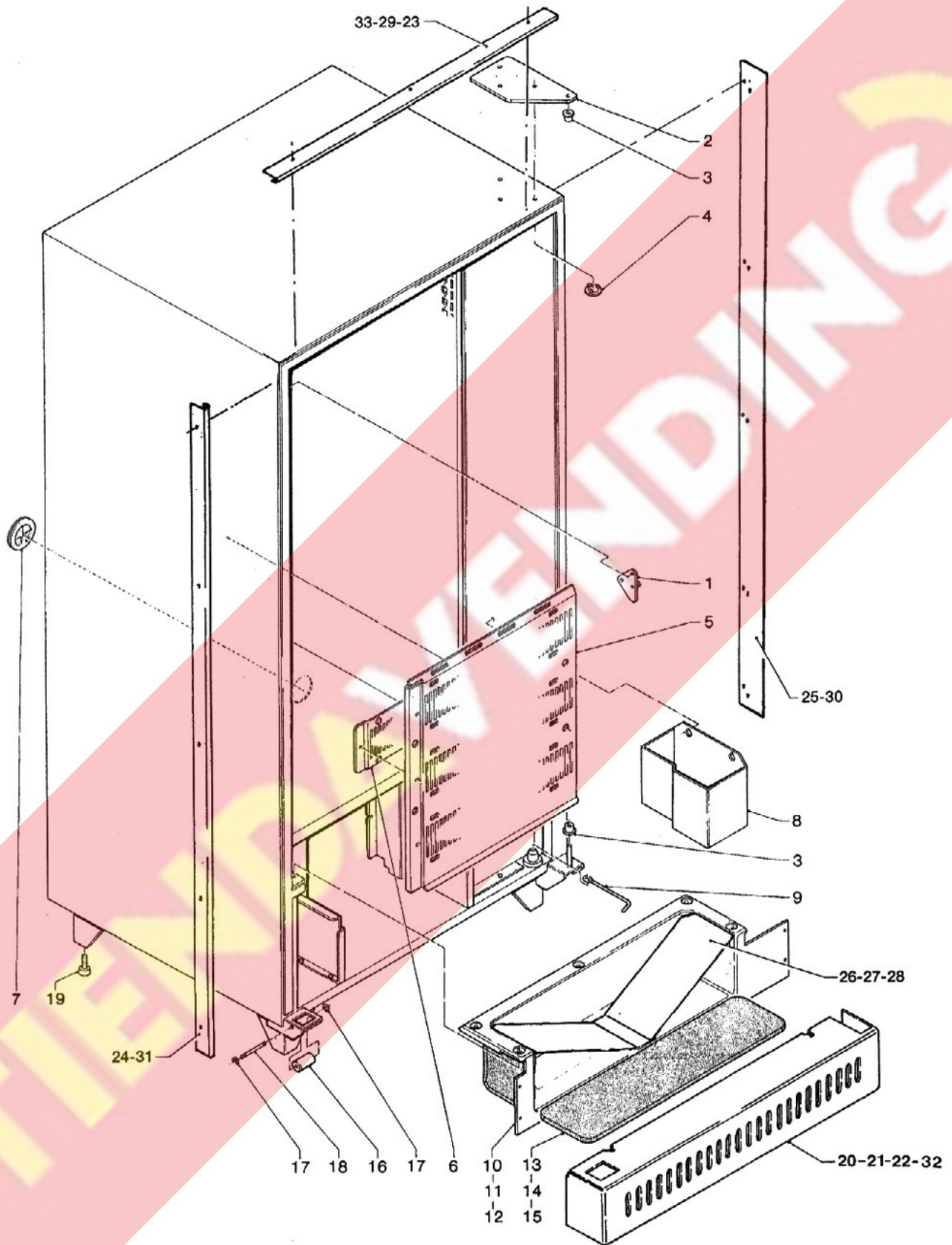


Table :04 - Cabinet assy

	Code	Description	Notes
1	0V0217	CLOSURE	
2	0V0072	UPPER HINGE	
3	0V0028	BUSH 'UPPER-LOWER'	
4	094030	OUTER CAP	
5	0V0025	FEEDING LINE	
6	0V0026	VANE FOR FEEDING	
7	987902	CABLE BUSHING	
8	0V0013	MONEY BOX	
9	0V0218	ROD	
10	0V0116	PRODUCT DISTRIBUTION AREA-850	MODEL 850
11	0V0119	PRODUCT DISTRIBUTION AREA-700	MODEL 700
12	0V0132	PRODUCT DISTRIBUTION AREA	MODEL 1000
13	0V0212	PANEL	MODEL 850
14	0V0213	PANEL	MODEL 700
15	0V0214	PANEL	MODEL 1000
16	0V0001	ROLLER	
17	091959	BENZING COLLAR DIAM MM4	
18	0V0000	PIN	
19	986802	LIVELLER-FOOT	
20	0V0847	FEET COVER -BLACK-	BLACK COLOUR VERSION
21	0V0150	FRONT PEDESTAL SCREEN	
22	0V1339	FRONT 'BLACK' FOOT COVER	MODEL 700
23	0V2773	BLACK CABINET UPPER ARMOR PLATING	MODEL 850
24	0V2775	BLACK CABINET LH ARMOR PLATING	
25	0V2774	BLACK CABINET RH ARMOR PLATING	
26	0V0427	PRODUCT CHUTE '850'	MODEL 850
27	0V0662	PRODUCT CHUTE '700'	MODEL 700
28	0V0663	PRODUCT CHUTE '1000'	MODEL 1000
29	0V2823	WHITE CABINET UPPER ARMOR PLATING	MODEL 700
30	0V2787	WHITE CABINET RH ARMOR PLATING	
31	0V2789	WHITE CABINET LH ARMOR PLATING	
32	0V2826	BLACK FEET COVER 1000	MODEL 1000
33	0V2825	WHITE CABINET UPPER ARMOR PLATING	MODEL 1000

Table :05 - Electric panel

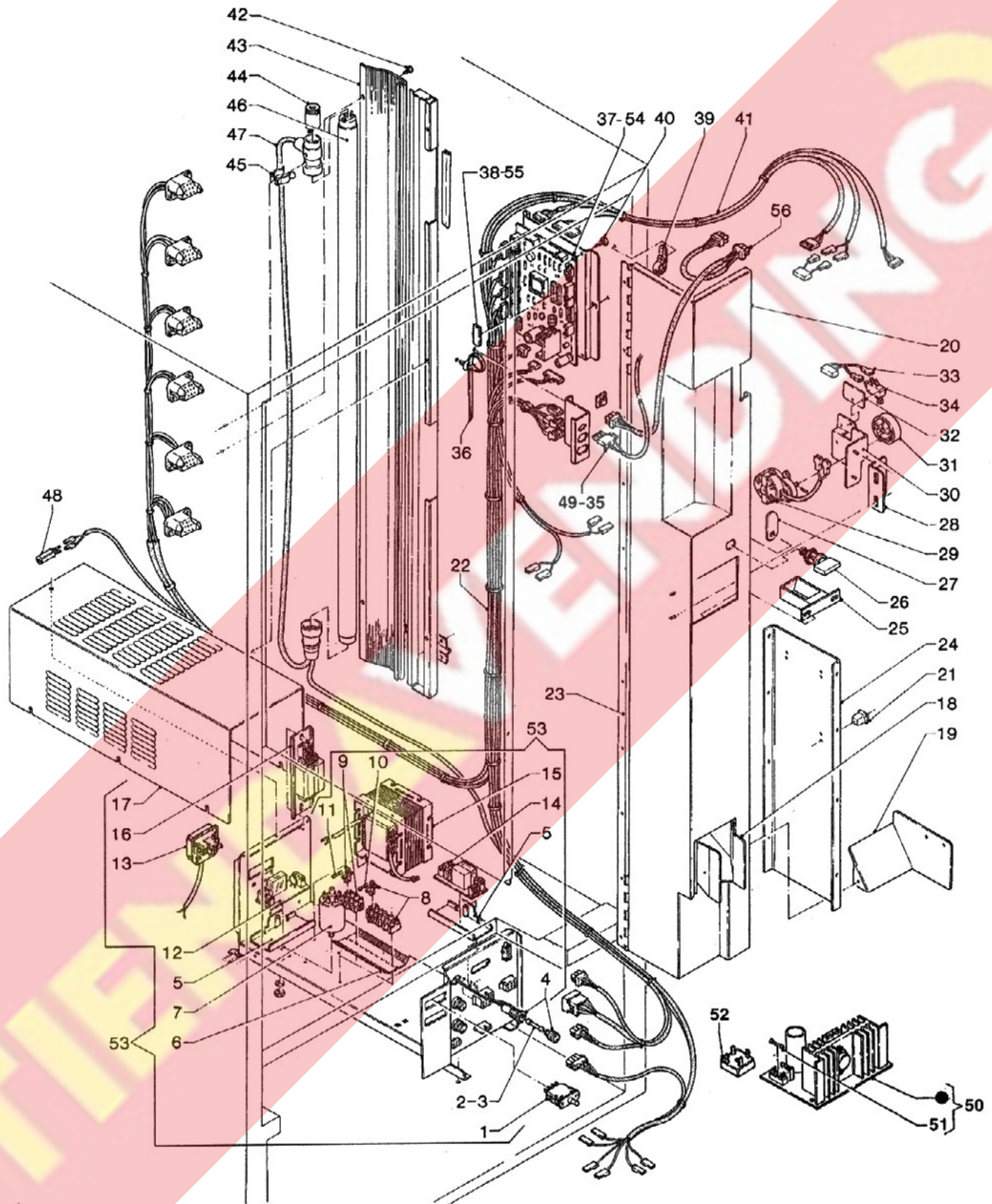


Table :05 - Electric panel

Code	Description	Notes
1	986058	DOOR-MICRO WITH RESETTING
2	098779	FUSE 6.3X32 1 AMP
3	097489	FUSE 250V-10A DELAYED ACTION
4	0V3201	FUSE HOLDER
5	094849	COVERING-HOLDER
6	097242	SUB-TERMINAL BOARD
7	0V3512	ELECTRICAL NET FILTER
8	098793	5P TERMINAL BOARD WITH FUSE-HOLDER
9	097241	3-POLE TERMINAL BOARD W/CARRIER
10	097259	FUSE 5X20 4A DELAYED ACTION
11	097368	FUSE 5X20 630 MA DELAYED ACTION
12	0V0016	OUTR-VARISTOR CARD
13	098796	TERMINAL BOARD
14	0V0015	OUTR CARD
15	0V0014	G49/25-25V TRASFORMER
16	987367	36-40WATT BALLAST
17	0V0017	COVERING
18	0V0009	CHUTE FOR CHANGE
19	0V0010	COINS CONVEYOR
20	0V1624	COVER
21	094111	INSULATING DOLLY BLOCK
22	0V0019	GENERAL WIRING
23	0V0055	HINGE
24	0V0008	COIN MECHANISM SUPPORT
25	0V0007	COINS INTRODUCTION CHUTE
26	0V2462	LOCK WITH HANDLE
27	098756	DOOR BOLT
28	0V0219	BRACKET
29	099754	MOTOREDUCER
30	0V0005	BRACKET
31	0V0006	CAM
32	090681	INSULATING DISK
33	096845	FILTER RC 1000HM 0.1MF
34	0V1927	MICROSWITCH 'UL'
35	0V1759	EXECUTIVE-MDB WIRING
36	090148	CLIP
37	0V0862	CPU/CONTROL BOARD 'PLUS'
38	095004	EPROM 512K(TO BE PROGRAMMED)
39	091420	ADJUSTABLE COLLAR
40	097175	CARD SPACER
41	0V0062	WIRING DOOR 'SPRING/DUAL'
42	0V0003	CLIPS

Table :05 - Electric panel

Code	Description	Notes
43	0V0002	PANEL
44	091802	STARTER TYPE S10
45	098337	LAMP-HOLDER HOOKS
46	986531	NEON LIGHT 38 WATT
47	0V0215	LAMP WIRING
48	986060	ELECTRONIC SENSOR K277
49	0V1388	MDB - BDV WIRING
50	097808	FEEDING BOARD
51	097097	FUSE 2 AMP.5X20 DELAYED ACT
52	094900	DIODE BRIDGE
53	0V1280	ELECTRIC PANEL
54	0V0862	CPU/CONTROL BOARD 'PLUS'
55	099982	1024K-EPROM (TO BE PROGRAMMED
56	0V2939	CHIPPER-CHIPKNIP WIRING



Table :06 - Trav and drawers

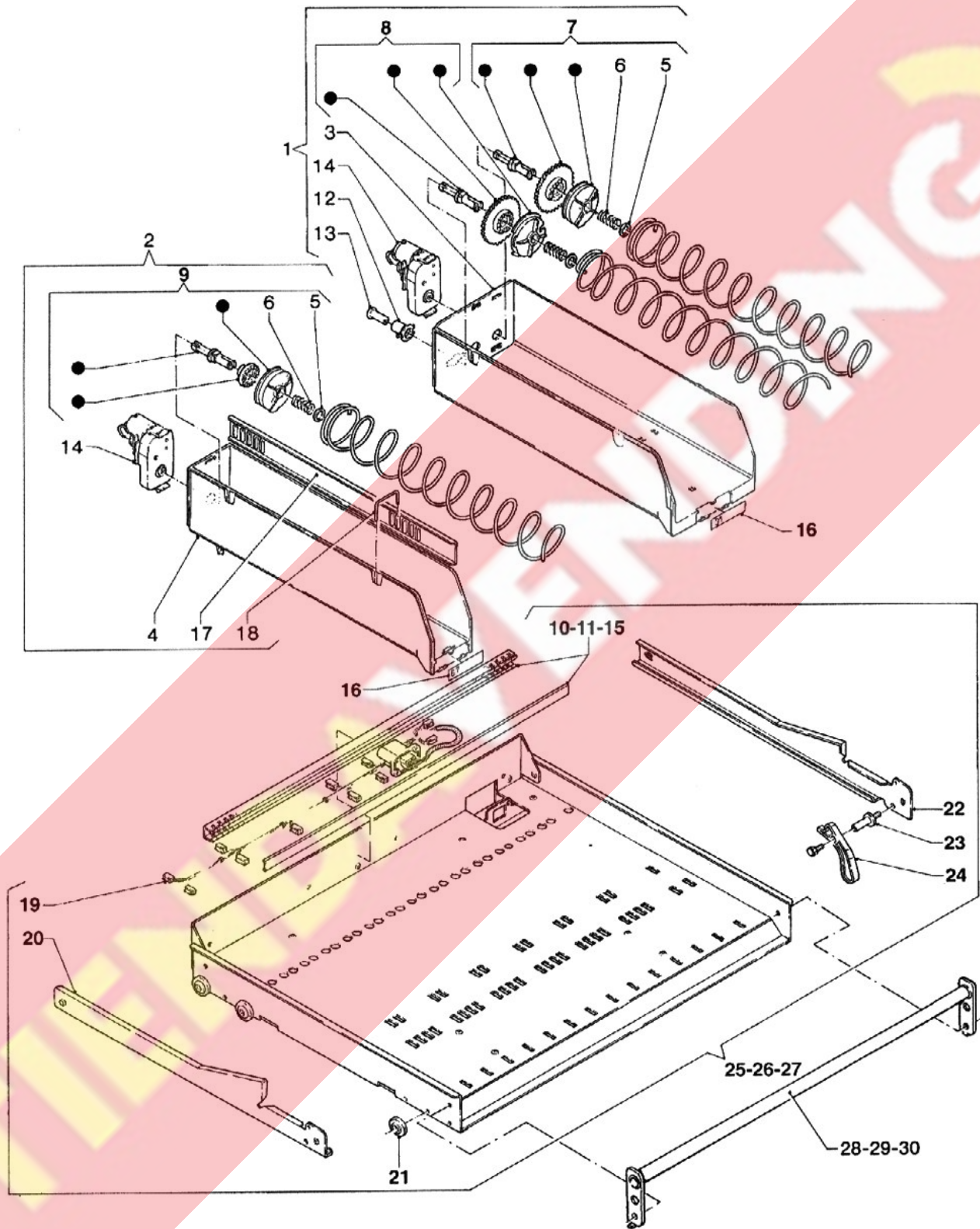


Table :06 - Tray and drawers

	Code	Description	Notes
1	0V0073	DRAWER 'LARGE' COMPLET	
2	0V0085	DRAWER 'SMALL' COMPLET	
3	0V0074	DRAWER 'LARGE'	
4	0V0086	DRAWER 'SMALL'	
5	0V0084	WASHER	
6	0V0083	SPRING	
7	0V1354	RIGHT FLANGE ASSY.	
8	0V1355	LEFT FLANGE ASSY.	
9	0V1353	FLANGE ASSY.	
10	0V0107	CANAL	MODEL 850
11	0V0131	CANAL	MODEL 1000
12	0V0080	BUSH FOR PIN	
13	0V0079	BUSH	
14	0V0075	MOTOREDUCER	
15	0V0118	CANAL	MODEL 700
16	0V0111	DRAWER PLATE	
17	0V0089	PRODUCT RUNNER	
18	0V0088	PIN	
19	0V3340	10-MOTORS WIRING	
19	0V0108	WIRING DRAWER	
20	0V0104	LEFT RUNNER	
21	0V0102	ROLLER	
22	0V0103	RIGHT RUNNER	
23	0V0105	PIN FOR LEVER	
24	0V0106	LEVER FOR TRAY	
25	0V0100	MIDDLE-SIZE TRAY	MODEL 850
26	0V0138	LARGE TRAY	MODEL 1000
27	0V0126	SMALL TRAY	MODEL 700
28	0V0658	DIRECTING TUBE '850'	MODEL 850
29	0V0659	DIRECTING TUBE '700'	MODEL 700
30	0V0660	DIRECTING TUBE '1000'	MODEL 1000

Table :07 - Coils

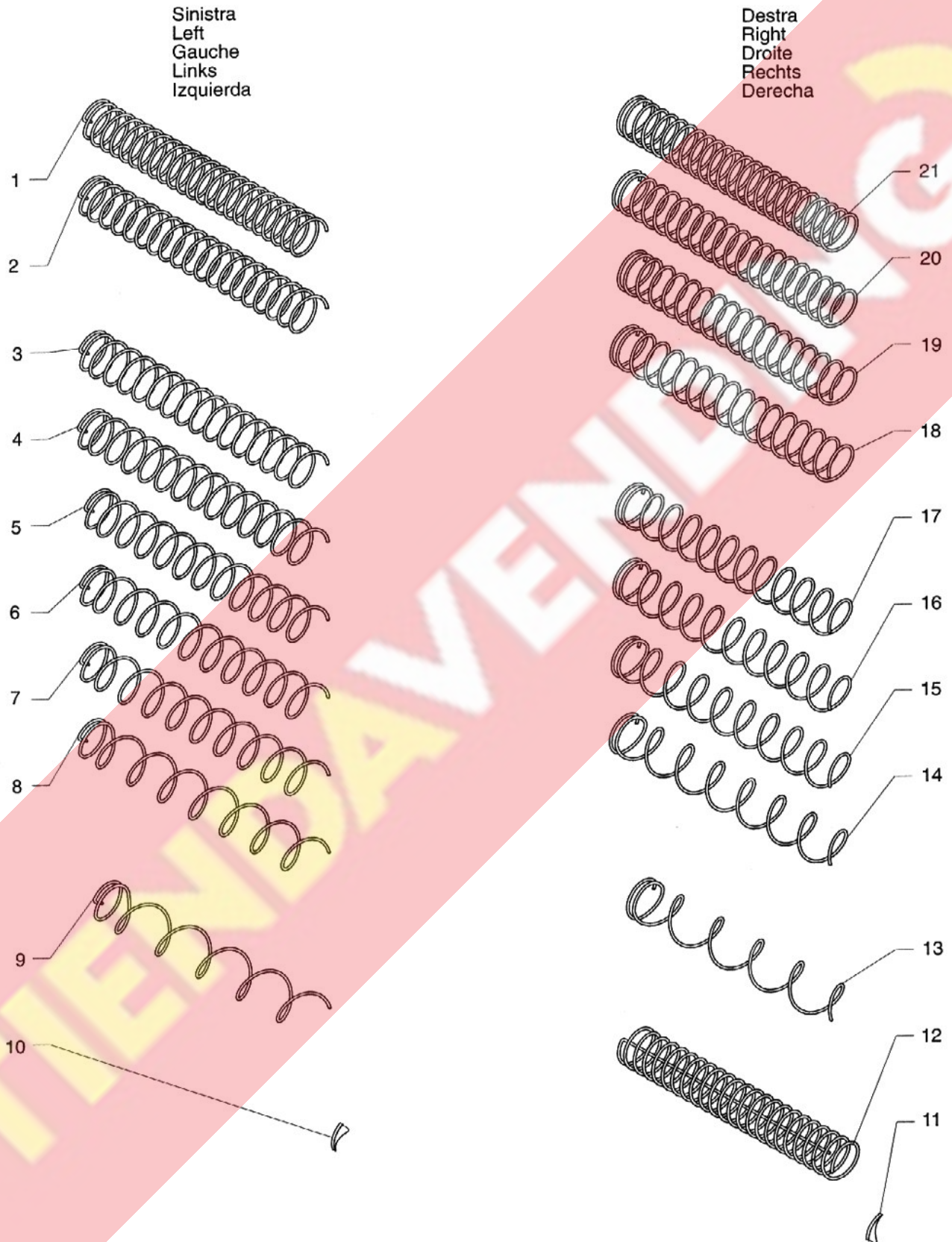


Table :07 - Coils

Code	Description	Notes
1	0V0147	LEFT COIL D.65/P.21
2	0V0146	LEFT COIL D.65/P.24
3	0V0145	LEFT COIL D.65/P.30
4	0V0144	LEFT COIL D.65/P.34
5	0V0090	LEFT COIL D.65/P.40
6	0V0091	LEFT COIL D.65/P.46
7	0V0096	LEFT COIL D.65/P.54
8	0V0143	LEFT COIL D.65/P.64
9	0V0113	LEFT COIL D.65/P.84
10	0V0099	LEFT EJECTOR
11	0V0098	RIGHT EJECTOR
12	0V0115	COIL D.65/P.24-1/2 TURN
13	0V0112	RIGHT COIL D.65/P.84
14	0V0141	RIGHT COIL D.65/P.64
15	0V0097	RIGHT COIL D.65/P.54
16	0V0092	RIGHT COIL D.65/P.46
17	0V0093	RIGHT COIL D.65/P.40
18	0V0094	RIGHT COIL D.65/P.34
19	0V0095	RIGHT COIL D.65/P.30
20	0V0142	RIGHT COIL D.65/P.24
21	0V0148	RIGHT COIL D.65/P.21

Table :08 - Cooling unit

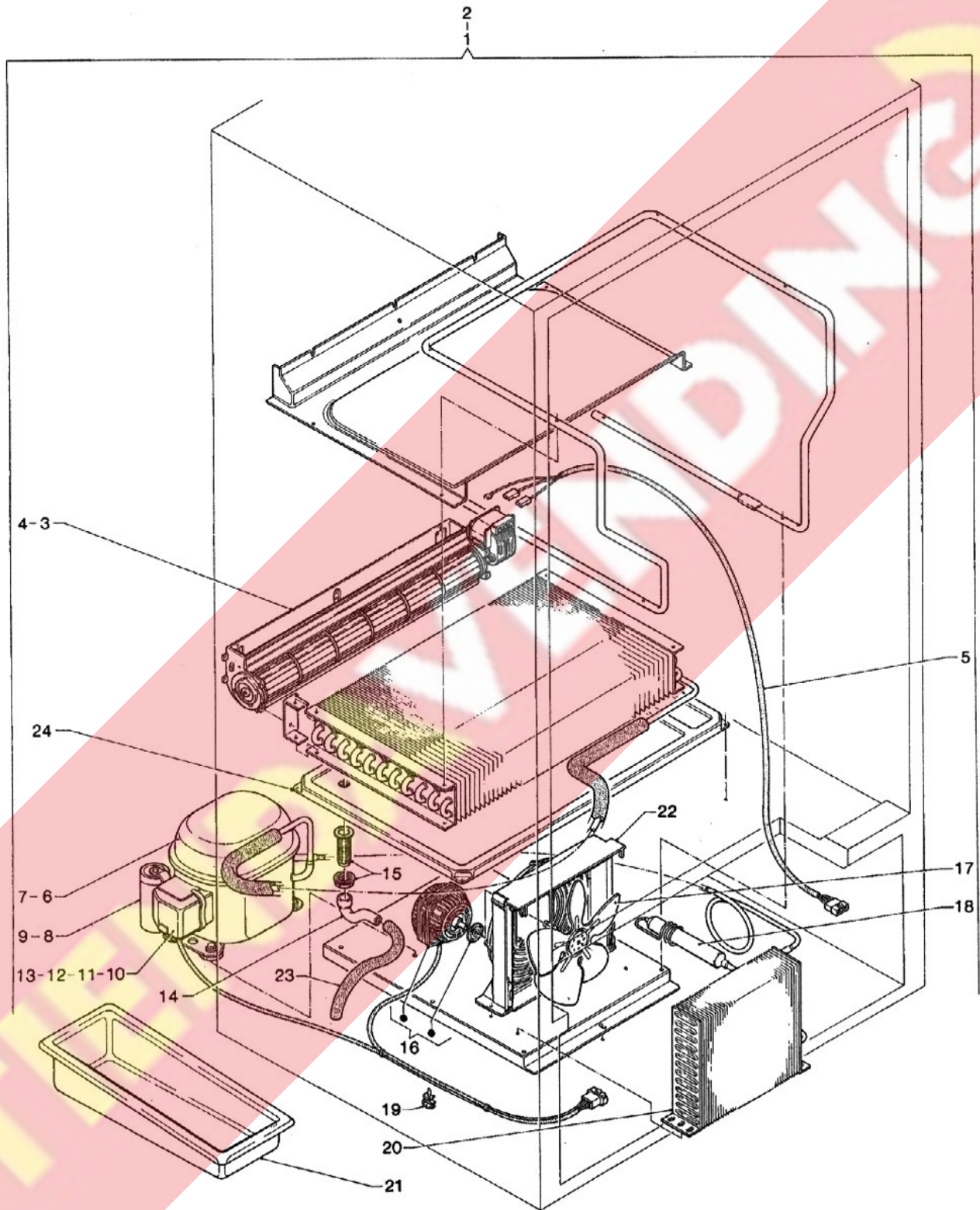


Table :08 - Cooling unit

	Code	Description	Notes
1	0V0022	REFRIGERATING GROUP	MODELS 850 - 1000
2	0V0129	REFRIGERATING GROUP	MODEL 700
3	0V0357	FAN	MODELS 850 - 1000
4	0V0156	COOLING FAN	MODEL 700
5	0V0020	COOLING FAN WIRING	
6	986933	COMPRESSOR GP 14 TB R134	MODELS 850 - 1000
7	986483	COMPRESSOR G12TB	MODEL 700
8	985075	CAPACITOR	MODELS 850 - 1000
9	985064	CAPACITOR COMPRESSOR STARTER	MODEL 700
10	985074	STARTING RELAY COMPRESSOR	MODELS 850 - 1000
11	985073	COMPRESSOR-PROTECTION	MODELS 850 - 1000
12	985063	RELAY COMPRESSOR STARTER	MODEL 700
13	985069	COMPRESSOR PROTECTION	MODEL 700
14	987853	SIPHON	
15	987982	TUBE	
16	0V0733	FAN MOTOR	
17	985049	IMPELLER	
18	987293	FILTER 40 GR.	
19	098166	WIRE-FIXING	
20	986945	CONDENSER	
21	0V0731	EVAPORATOR TRAY	
22	986810	CONVEYOR	
23	098719	PVC PIPE 14X19(A METER)	
24	0V0024	DRIP-CATCHER BASIN	