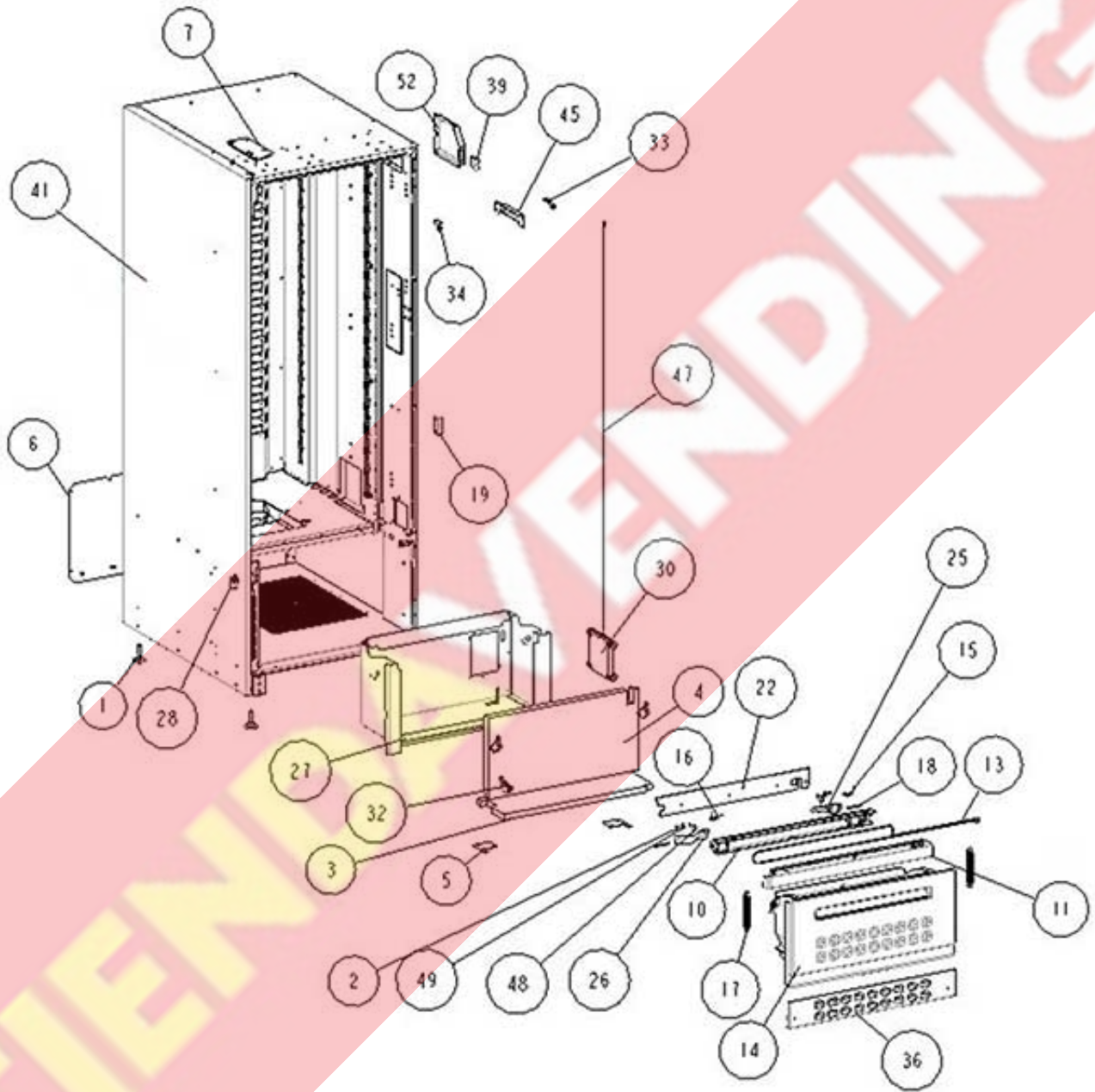


# vending machine



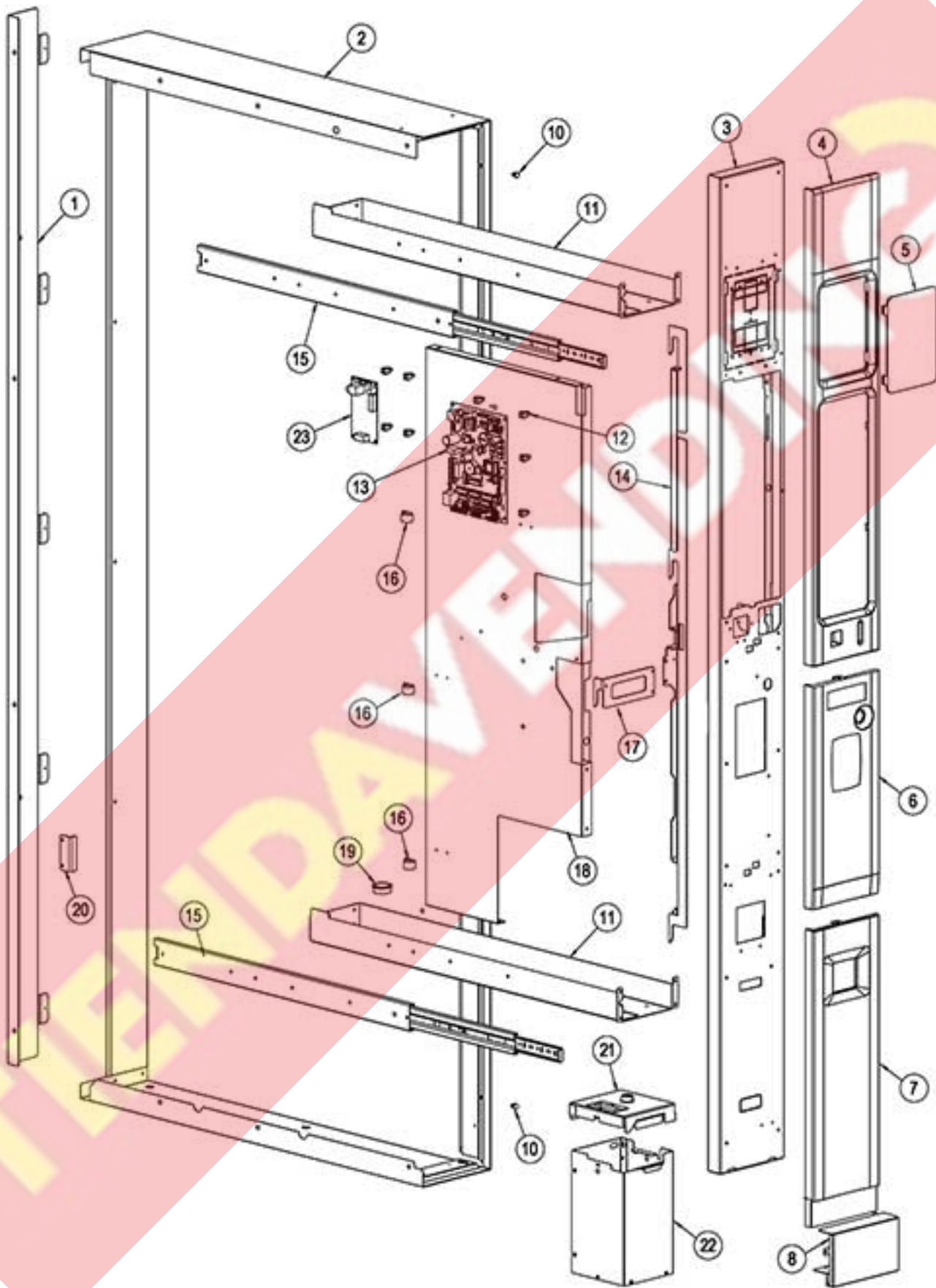
# spare parts manual

Cabinet unit



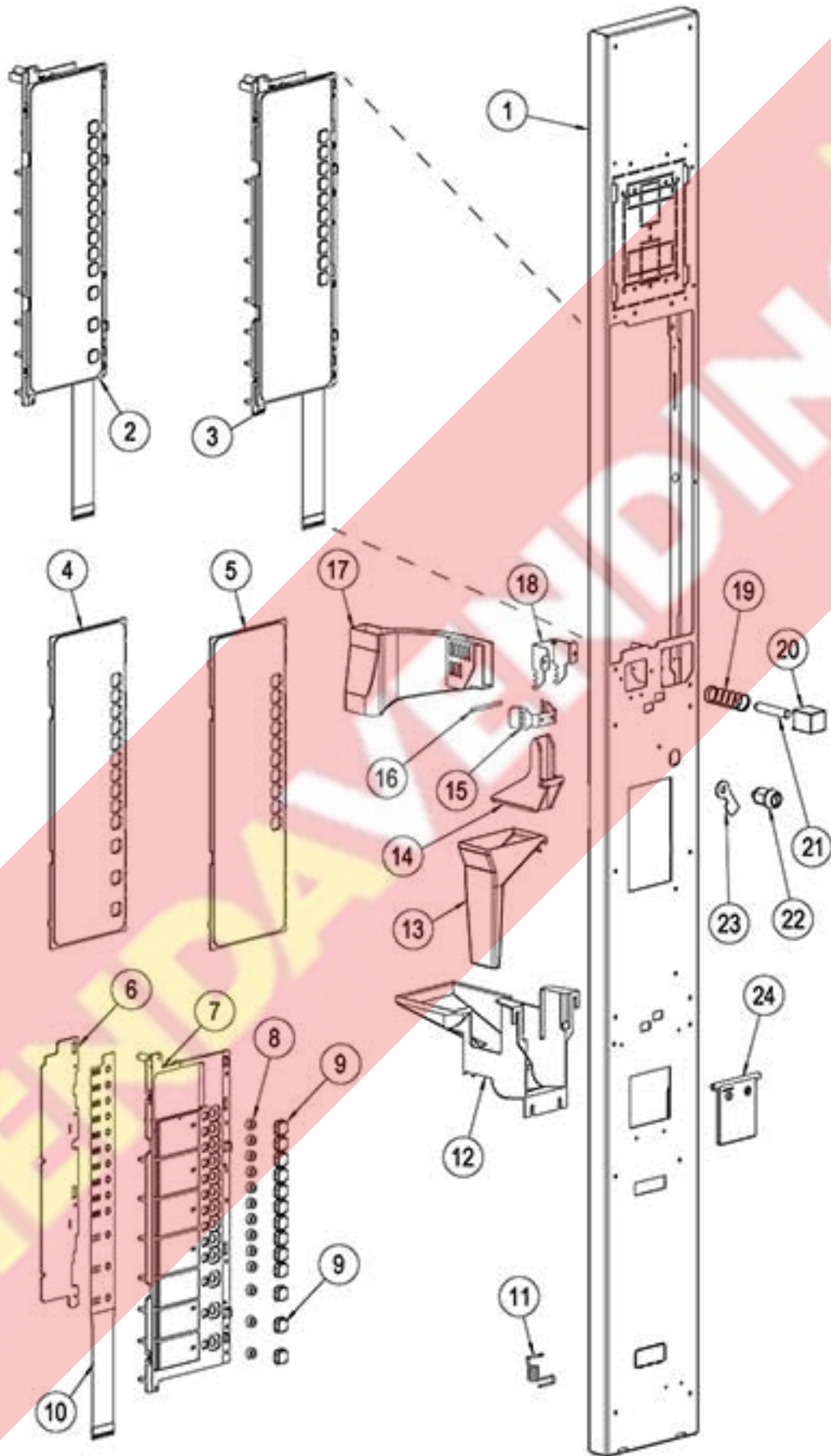
<b>Cabinet unit</b>		
<b>Pos.</b>	<b>Code</b>	<b>Description</b>
1	Z0010013208	MACHINE FOOT
2	H66100008	SPACER
3	H501400045	INSULATING FRIDGE CLOSING PANE
4	H501400046	INSULATING FRIDGE CLOSING PANE
5	H501400048	PISTON STOPPER PLATE
6	H501500007	REAR GRID
7	H501500008-VXD	UPPER HINGE
10	H501500058	Central and internal crossbar for levers EUR7
11/a	H501500059-VAJL	CENTRAL CROSSBAR EXTERNAL PART
11/b	H501500059-VDAL	CENTRAL CROSSBAR EXTERNAL PART
11/c	H501500059-VNA	CENTRAL CROSSBAR EXTERNAL PART
13	H501510023	HEATING ELEMENT
14/a	H501530009NA	EUR7 Dispenser unit complete (BLACK)
14/b	H501530009DA	EUR7 Dispenser unit complete (PEARL LIGHT GREY RAL 9022)
14/c	H501530009AJ	EUR7 Dispenser unit complete (WHITE)
14/d	H501530209NA	§PRO DISPENSER UNIT PR0 9005
14/e	H501530209DA	§PRO DISPENSER UNIT PR0 9022
15	H501530016	Right spring for EUR7 dispenser unit lever
16	H501530017	Left spring for EUR7 dispenser unit lever
17	H501530019	REAR SPRING FOR DISPENSER UNIT
18	H501530025	Pin ø4 mm for EUR7 dispenser unit lever
19	H501560007	Bracket for blocking sliding door EUR7
22	H501500057-VNA	Cover for central crossbar EUR7
25	H501801080	STOPPER R.H. LEVER
26	H501801081	STOPPER L.H. LEVER
27	H503400047	SHEET METAL L CLOSING FRIDGE
28	H501500006-VXI	LOWER HINGE INOX
30	Z850D503525	§ LIFT COUNTERWEIGHT
32/a	H00027003	MICROSWITCH CROUZET
32/b	H00027012	MICROSWITCH LEVER
33	Z850D503408-RIC	UPPER R.H. STRETCH BELT ASSEMBLY
34	Z850D503410-RIC	L.H. STOPPER BELT
36/a	H501500009CDA-RIC	KICK PLATE COMPLETE RAL9022
36/b	H501500009CNA-RIC	KICK PLATE COMPLETE RAL9005
39	H00027032	SWITCH BUTTON
41/a	H503500004DA	CABINET (RAL 9022)
41/b	H503500004NA	CABINET (BLACK)
45	Z850D503040	PULLEY SUPPORT
47	Z850D503080-RIC	COUNTERWEIGHT NYLON CABLE
48	Z850D503120	STOPPER LEVER
49	Z850D503124	LEVER WHEEL
52	Z850D503132	SAFETY SWITCH BOX

Door Unit

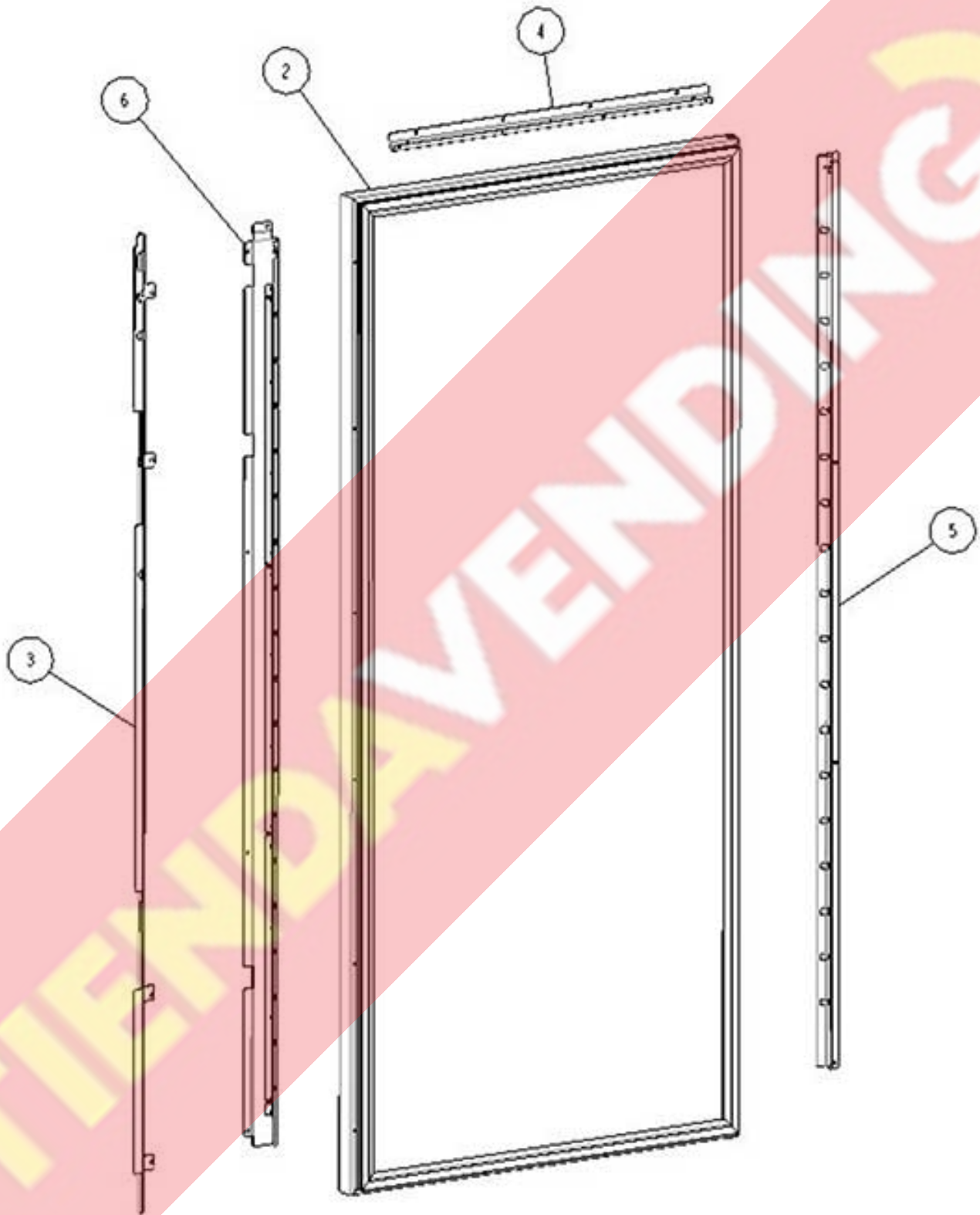


Door Unit		
Pos.	Code	Description
1	H502500053	Rear coupling for right-flank MPE-EUR7
2/a	H502500050-VDA-RIC	MPE CABINET RIGHT FLANK
2/b	H502500050-VNA-RIC	MPE CABINET RIGHT FLANK
3/a	H502100003-VDA	EUR7-MPE sliding front frame
3/b	H502100003-VNA	sliding front frame
4/a	H502100090-VDAL	KEYPAD MODULE RAL 9022
4/b	H502100090-VNA	KEYPAD MODULE RAL 9005
4/c	H502100090-VCML	KEYPAD MODULE RAL 9006
5/a	H502100093-VDAL	BILL VALIDATOR MODULE RAL 9022
5/b	H502100093-VNA	BILL VALIDATOR MODULE RAL 9005
5/c	H502100093-VCML	BILL VALIDATOR MODULE RAL 9006
6/a	H502100091-VDAL	LOCK MODULE RAL 9022
6/b	H502100091-VNA	LOCK MODULE RAL 9005
6/c	H502100091-VCML	LOCK MODULE RAL 9006
7/a	H502100092-VDAL	COIN RETURN MODULE RAL 9022
7/b	H502100092-VNA	COIN RETURN MODULE RAL 9005
7/c	H502100092-VCML	COIN RETURN MODULE RAL 9006
8/a	H502500009-VDAL	KICK PLATE RAL9022
8/b	H502500009-VNA	KICK PLATE RAL9005
10	Z0020040235	FLAP PLUG
11	H502500042	Sliding beam for guide BeeSlide EUR7
12	H00040092	SPACER H.6,4
13	H00120001-01	CPU BOARD
14	H502130006	Right handle carillon for MPE-EUR7 module
15	H501500068	GUIDES SLIDING DOOR (BEESLIDE)
16	FASC000557	CLIP FOR CABLE D. 15,9
17	H502130014	Single handle carillon for MPE-EUR7 module
18	H502560005	EUR7-MPE Sliding lateral frame
19	H00015075	Snap Bushing for wire (PSGB-2530)
20	H501560007	Bracket for blocking sliding door EUR7
21/a	H502120017-RIC	COIN BOX LID (STD LOCK)
21/b	H502120018-RIC	COIN BOX LID (RIELDA LOCK)
22	H502120010-RIC	COIN BOX WITH HANDLE
23	SCH0010400	LIFT+2 FTCA INTERFACE BOARD

Coin box and slides



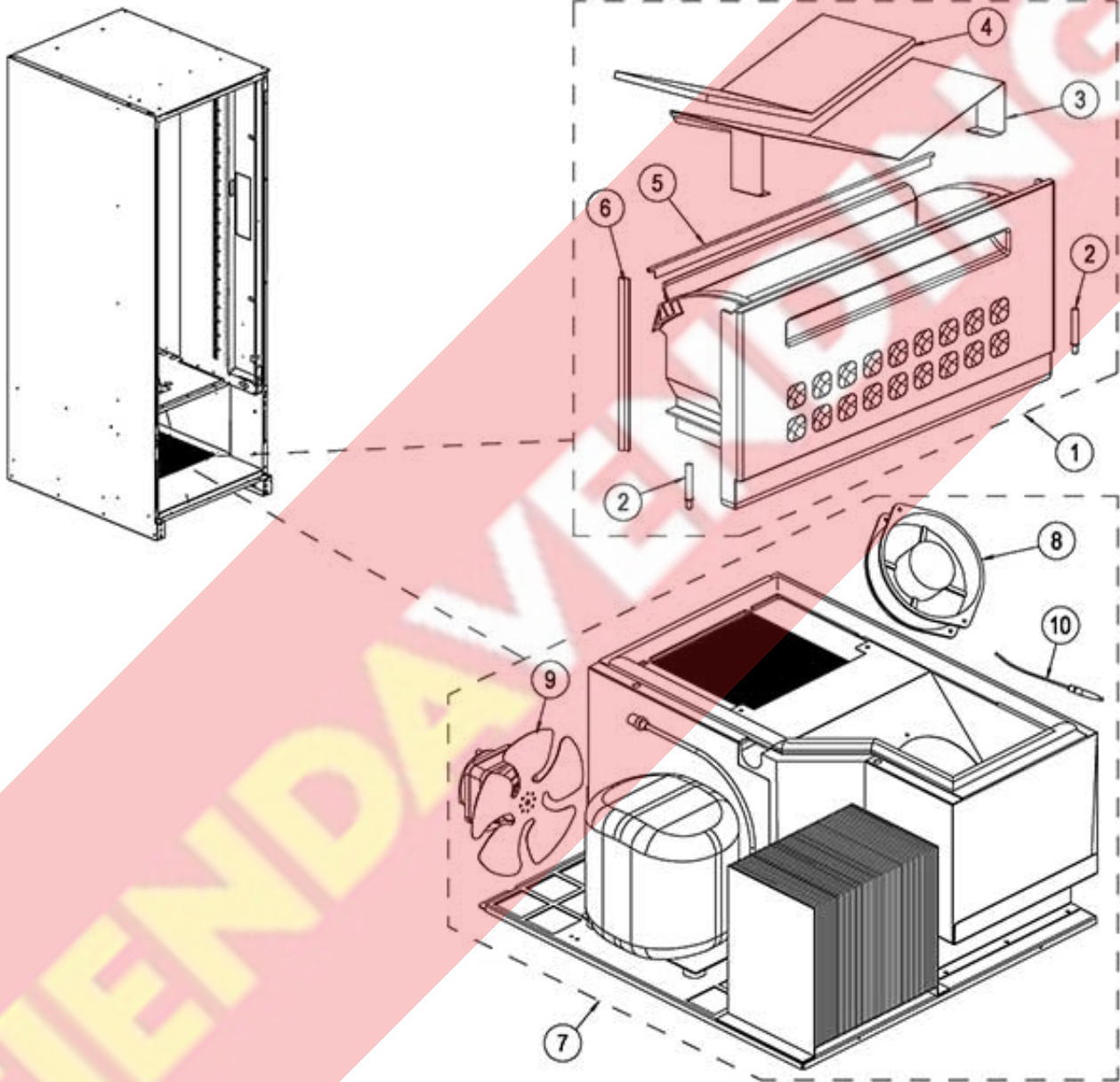
<b>Coin box and slides</b>		
<b>Pos.</b>	<b>Code</b>	<b>Description</b>
1/a	H502100003-VDA	EUR7-MPE sliding front frame
1/b	H502100003-VNA	sliding front frame
2	H502100063DA-RIC	KEYPAD (13 BUTTONS)
3	H502100060DA-RIC	KEYPAD (10 BUTTONS)
4/a	H00018076AE	13 BOTTONS SERIGRAPHY (WHITE)
4/b	H00018076CM	13 BOTTONS SERIGRAPHY (RAL 9006)
4/c	H00018076NA	13 BOTTONS SERIGRAPHY (BLACK)
5/a	H00018077AE	10 BOTTONS SERIGRAPHY (WHITE)
5/b	H00018077CM	10 BOTTONS SERIGRAPHY (RAL 9006)
5/c	H00018077NA	10 BOTTONS SERIGRAPHY (BLACK)
6	H502150007	Sheet metal for EUR7-MPE keyboard
7	H502150005	KEYPAD/DISPLAY BOARD SUPPORT
8	Z0020034311	SPRING
9/a	Z0020038254CF	SELECTION BUTTON RAL7016
9/b	Z0020038254CK	SELECTION BUTTON RAL7037
10/a	H00061058	MEMBRANE KEYPAD (10 BUTTONS)
10/b	H00061060	MEMBRANE KEYPAD (13 BUTTONS)
11	H502100043	SAFETY SWITCH SPRING
12	H502120041	COINS RETURN CHUTE
13	H502120042	COIN BOX CHUTE
14	H502120033	CHANGE RETURN LEVER SQUARE
15	H502120039	SPRING FOR COIN RETURN LEVER
16	H61120040	COIN REJECTION LEVER PIN
17	H502120031	COIN ENTRY CHANNEL
18	H502120015	REJECT MONEY SUPPORT
19	H00016005	SPRING PUSH BUTTON R/R
20/a	4050010072KA	COIN RETURN BUTTON RAL3020
20/b	4050010072XC	COIN RETURN BUTTON CHROMO
21	H00040082	COIN RETURN PIN
22/a	DAM0000013	LOCK RIELDA
22/b	H00017069	EUR7 Round cylinder for lock Eco Gius
23	H502130007	Lock shoe EUR7 for carillon
24/a	Z0020038144KA	COINS RETURN FLAP RAL3020
24/b	Z0020038144XC	COINS RETURN FLAP CHROME





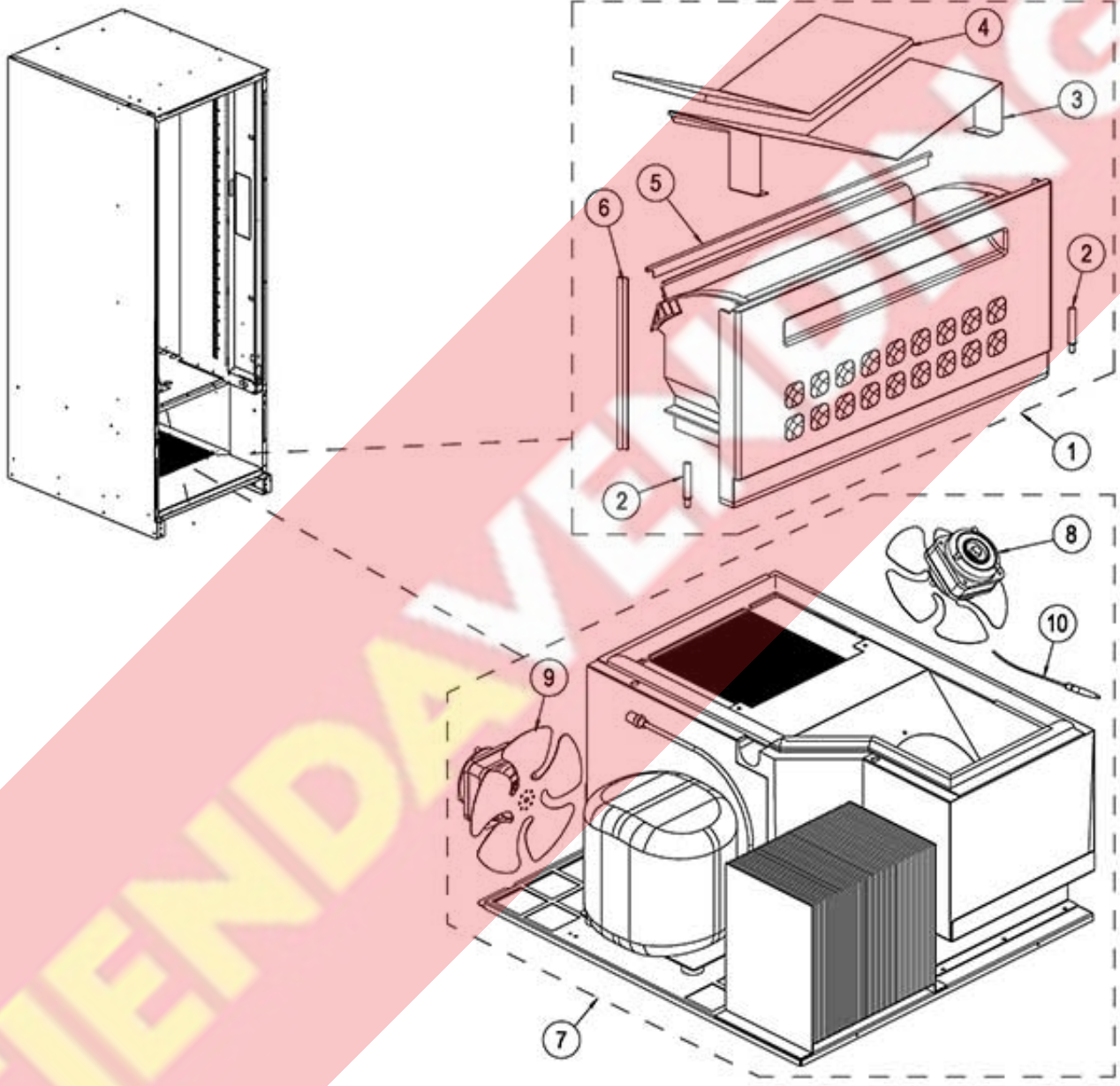
GLASS + LED		
Pos.	Code	Description
2/a	H501101020KM	§ GLASS WINDOW KIT STANDARD
2/b	H501101020KMAJ	§ GLASS WINDOW KIT RAL9010
2/c	H501101020KMNA	§ GLASS WINDOW KIT RAL9005
3	H501500074-VDA	ANTI VANDALISM BRACKET
4	H501801021-VNA	LED CABLE SUPPORT
5	H501101151NA	LIGHT 2° LED L.H. ASSEMBLY
6	H503150112	LIGHT 2° LED RH. ASSEMBLY

Cooling unit Standard



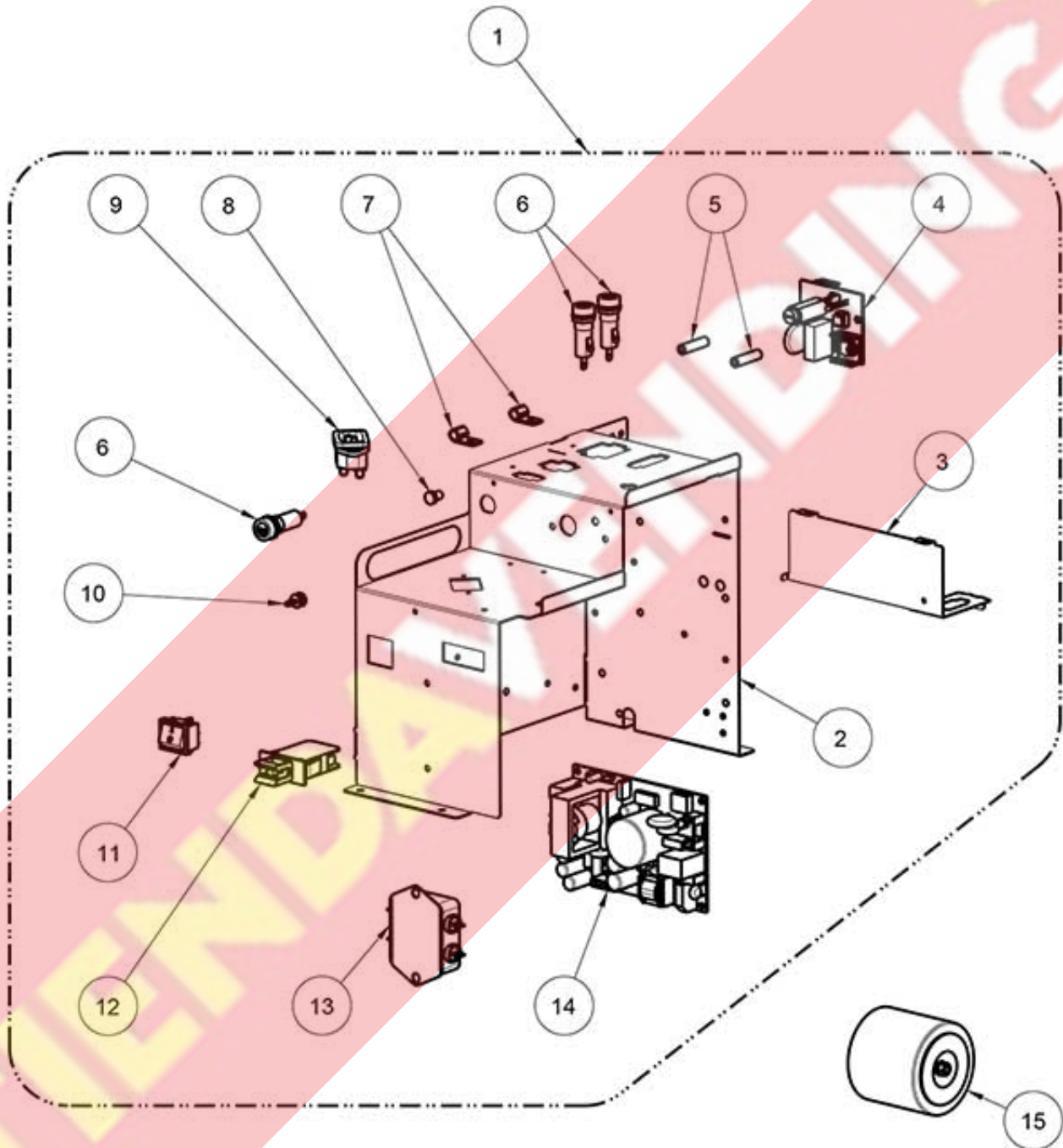
Cooling unit Standard		
Pos.	Code	Description
1/a	H501530009NA	EUR7 Dispenser unit complete (BLACK)
1/b	H501530009DA	EUR7 Dispenser unit complete (PEARL LIGHT GREY RAL 9022)
1/c	H501530009AJ	EUR7 Dispenser unit complete (WHITE)
2	H601100041	PISTON OF SLOWING-DOWN BLM
3	H501530037	EUR7 Chute bottles 'M'
4	H501530038	Insulator for EUR7 Chute bottles 'M'
5	H501530023	GASKET 18XD.6
6	H501530022	GASKET 16X8
7	FRID501004-4E	COOLING UNIT STD 134A 50/60HZ
8	ELE0000481	ELECTRONIC FAN 24V DC
9	ELE0000483	FAN FOR COOLING UNIT
10	H00069030	PROBE FOR COOLING UNIT

Cooling unit Pro



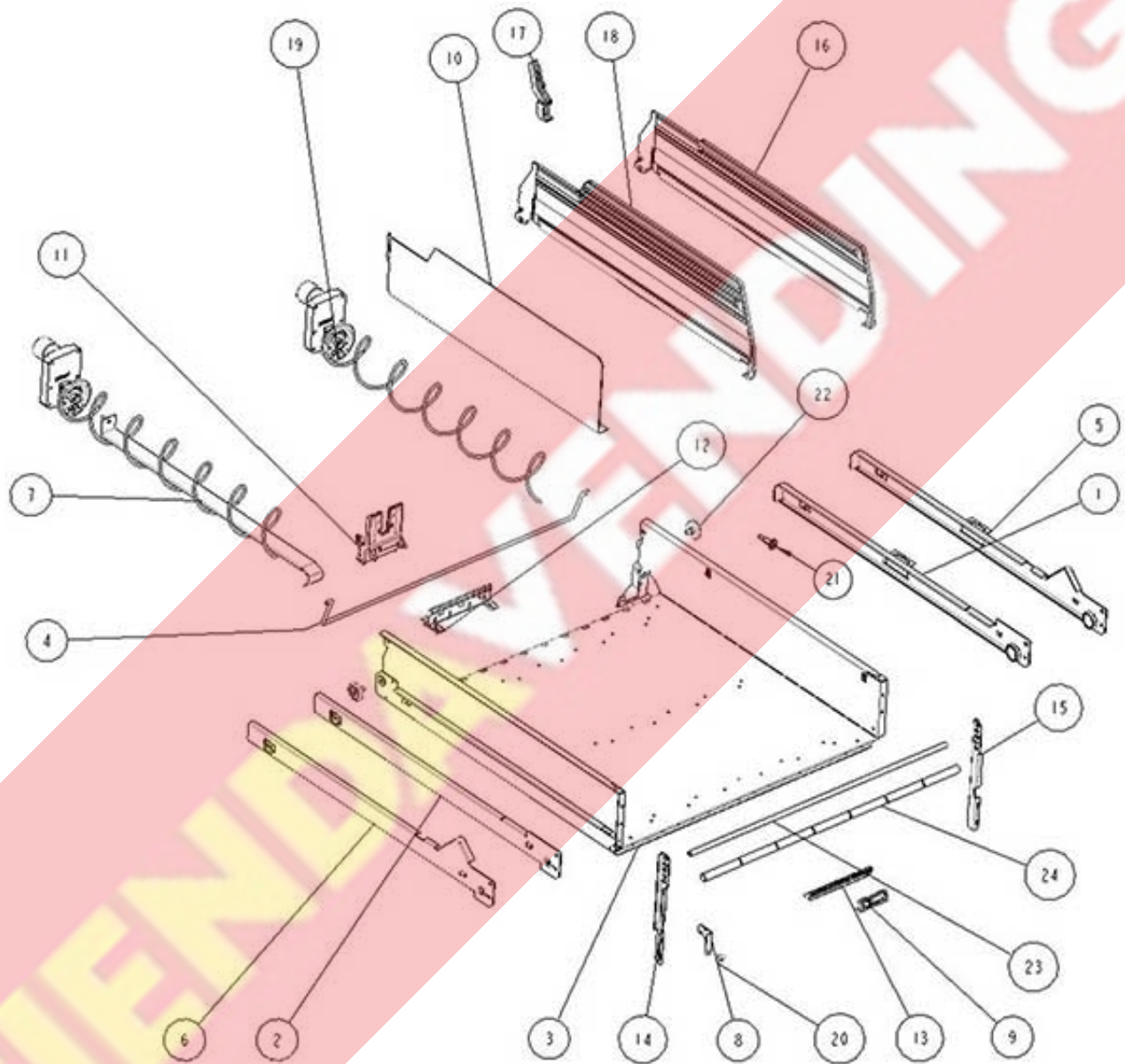
Cooling unit Pro		
Pos.	Code	Description
1/a	H501530209NA	\$PRO DISPENSER UNIT PR0 9005
1/b	H501530209DA	\$PRO DISPENSER UNIT PR0 9022
2	H601100041	PISTON OF SLOWING-DOWN BLM
3	H501530037	EUR7 Chute bottles 'M'
4	H501530038	Insulator for EUR7 Chute bottles 'M'
5	H501530023	GASKET 18XD.6
6	H501530022	GASKET 16X8
7	FRID501005-4E	COOLING UNIT SUP. 134A 50/60HZ
8	ELE0000482	FAN FOR COOLING UNIT
9	ELE0000484	FAN FOR COOLING UNIT
10	H00069030	PROBE FOR COOLING UNIT

Electrical box



Electrical box		
Pos.	Code	Description
1	H503510050-4E	ELECTRICAL BOX 230V 50/60HZ
2	H502510004	ELECTRICAL BOX FRAME
3	H502510003	EUR7-MPE Electrical box separator
4	H00065102-01	TRIACK/FUSE BOARD
5	H00040051	SPACER 8X25
6	H00029006	FUSE HOLDER
7	FASC000553	Clips for cable D. 6,4 (WHC-250-01)
8	Z0020018061	SELECTION BUTTON PLUG
9	H00020071	PANEL PLUG WITH SCREWS
10	H00025055	SPACER H.6
11	H00027030	ELECTRICAL BOX SWITCH
12	ELE0002009	BIPOLAR SWITCH 15A 250V
13	ELE0009065	NOISE FILTER 6A FN2030-6-06
14/a	SCHA161002	SWITCHING BOARD from serial 20214700000
14/b	SCHA161002CL	§SWITCHING BOARD+CABLE Up to serial 20214699999
15/a	H601511005-1E	TRANSFORMER 230/24V 60W
15/b	H501510030-1E-RIC	KIT FOR EXECUTIVE OPTION

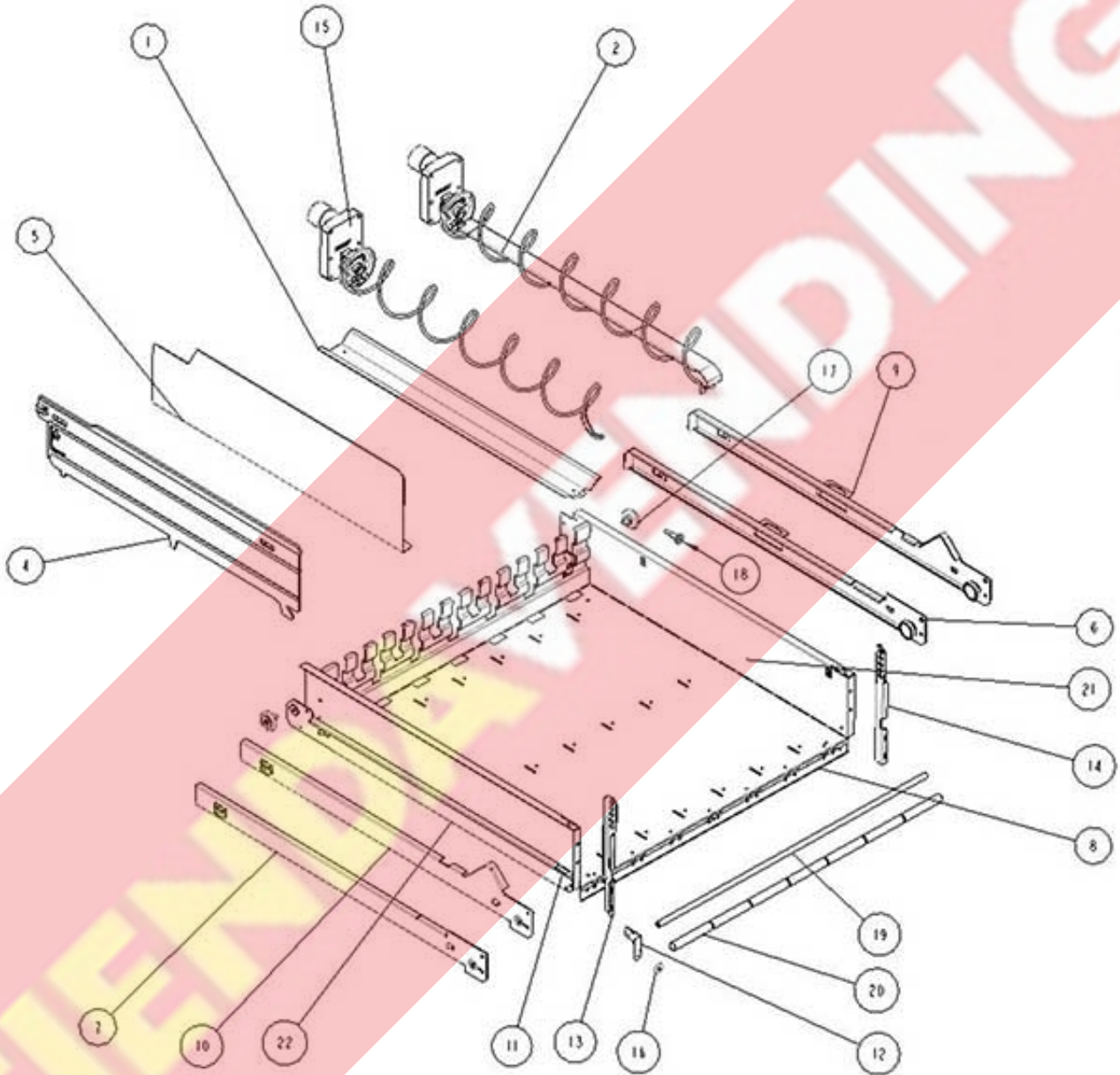
Flexspir Drawer Unit





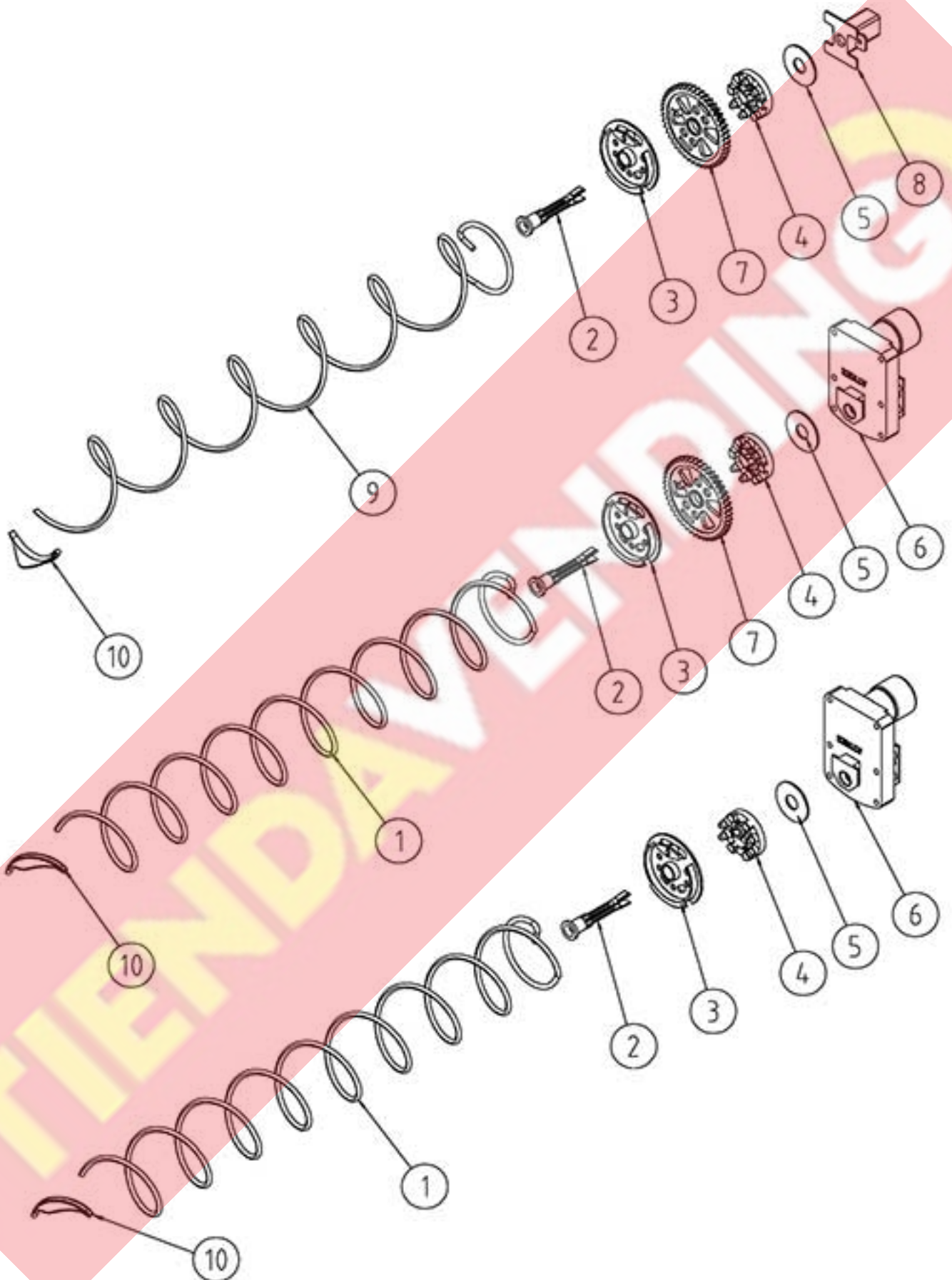
Flexspir Drawer Unit		
Pos.	Code	Description
1	H501300005CL1	RIGHT GUIDE + WHEEL
2	H501300003CL1	LEFT GUIDE + WHEEL
3	503300013	FLEX DRAWER + GUIDES
4	501300018	EUR7 support cable drawer rod
5	H501301005CL1	RECLINING RIGHT GUIDE + WHEEL
6	H501301003CL1	RECLINING LEFT GUIDE + WHEEL
7	501801410	INOX PRODUCTS SUPPORT CONNECTION LIFT
8	501801411-VNA	DRAWER MAGNET PLATE
9	H601300016	PRICE HOLDER DRAWER
10	601300024-VNA	METAL PRODUCTS SEPARATOR
11	601300035	Support single-motor for drawer LXS9
12	601300036	LXS9 Rack support for drawer motor
13	601300037	LXS9 Rack support for price holder
14	601300065-VNA	BOTTLES STOPPER SHAFT FOR BOTTOM L.H. SUPPORT
15	601300066-VNA	BOTTLES STOPPER SHAFT FOR BOTTOM R.H. SUPPORT
16	601301019	LXS9 Plastic product separator (Low)
17	601301020	Lever for LXS9 plastic product separator
18	601301024	LXS9 Plastic product separator (high)
19		See table Flexspir Spiral Unit
20	H00017068	MAGNET 15X5,5 SP3
21	H00040065	SPACER 12,5X8
22	H61302015	DRAWER SLIDING WHEEL
23	Z840D501001	DRAWER BOTTLES STOPPER SHAFT
24	Z840D501002	TUBE FOR BOTTLE HOLDER

Standard Drawer Unit



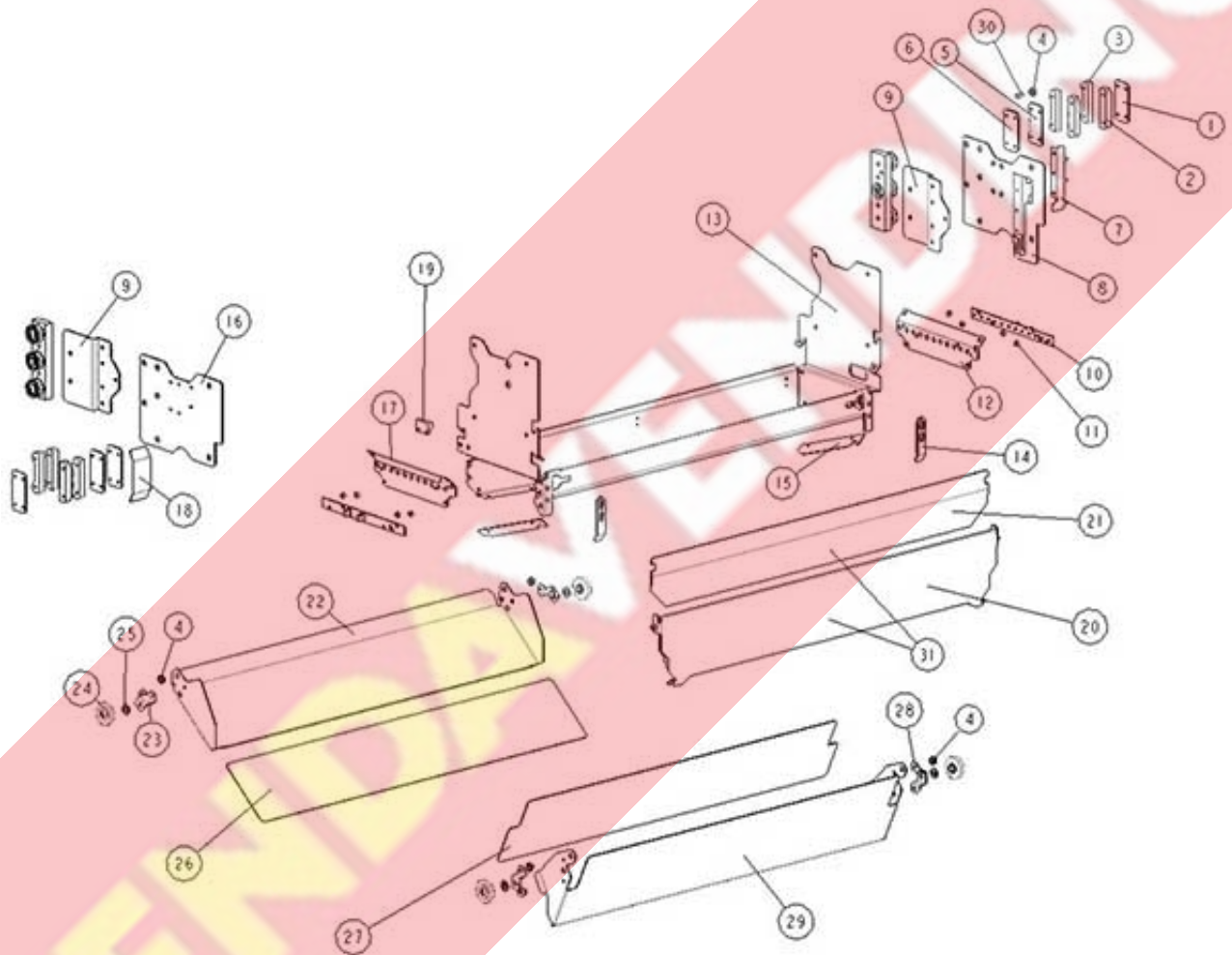
Standard Drawer Unit		
Pos.	Code	Description
1	61300008-VNA	PRODUCTS CONVEYOR
2	Z840D503004	INOX PRODUCTS SUPPORT CONNECTION LIFT
4	61301024	PLASTIC PRODUCTS SEPARATOR
5	601300024-VNA	METAL PRODUCTS SEPARATOR
6	H501300005CL1	RIGHT GUIDE + WHEEL
7	H501300003CL1	LEFT GUIDE + WHEEL
8	501300016-VNA	PRICE DRAWER SUPPORT
9	H501301005CL1	RECLINING RIGHT GUIDE + WHEEL
10	H501301003CL1	RECLINING LEFT GUIDE + WHEEL
11/a	503307023	DRAWER 7M. (METAL)
11/b	503367023	DRAWER 6M. (METAL)
12	501801411-VNA	DRAWER MAGNET PLATE
13	601300065-VNA	BOTTLES STOPPER SHAFT FOR BOTTOM L.H. SUPPORT
14	601300066-VNA	BOTTLES STOPPER SHAFT FOR BOTTOM R.H. SUPPORT
15		See table Flexspir Spiral Unit
16	H00017068	MAGNET 15X5,5 SP3
17	H61302015	DRAWER SLIDING WHEEL
18	H00040065	SPACER 12,5X8
19	Z840D501001	DRAWER BOTTLES STOPPER SHAFT
20	Z840D501002	TUBE FOR BOTTLE HOLDER

Flexspir Spiral Unit



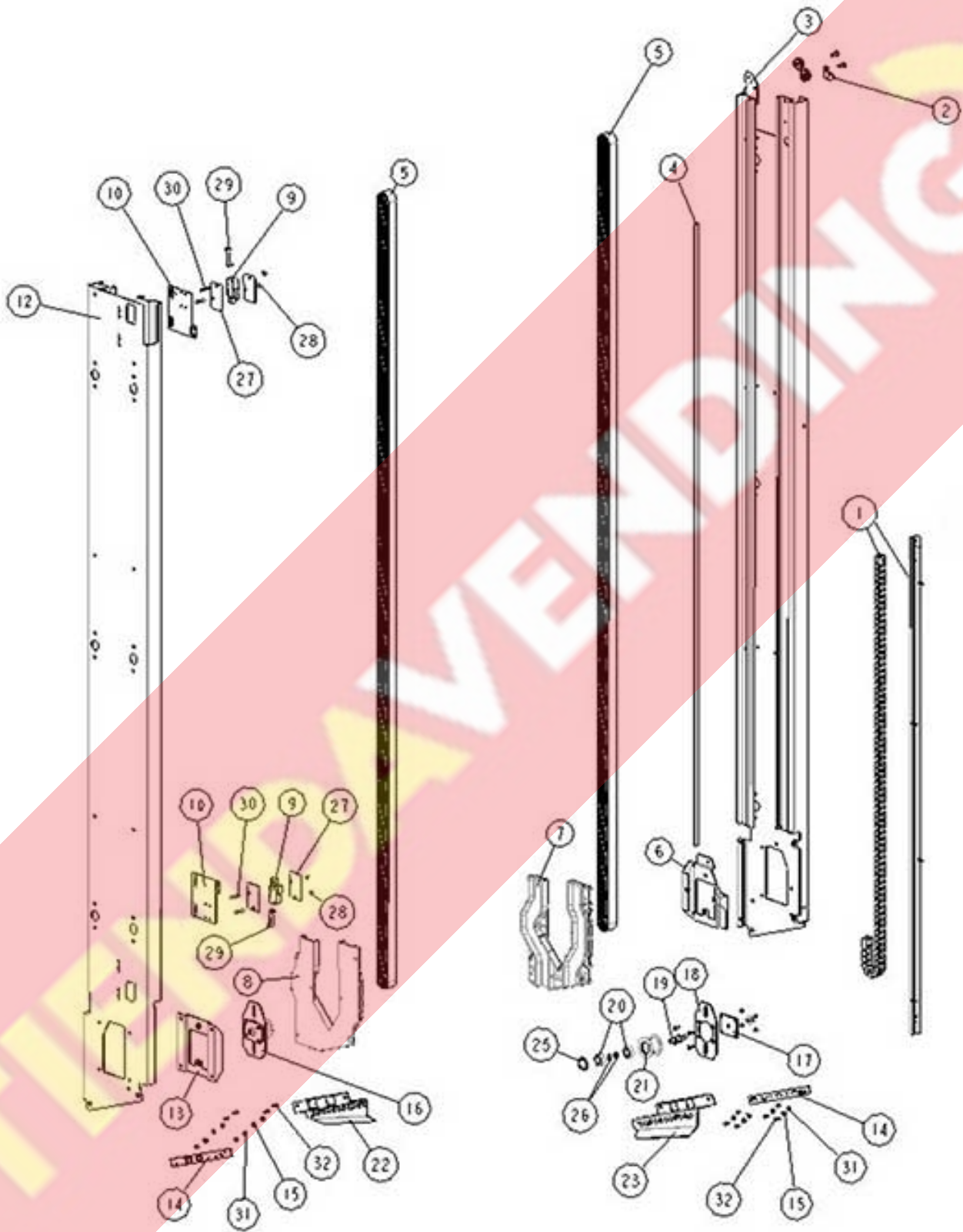
Flexspir Spiral Unit		
Pos.	Code	Description
1A	61311024-V	Right spiral D.65 thread 24 (20 products)
1B	H61311032-VNA	RIGHT SPIRAL D65 P32 15 PROD.
1C	61311045-V	Right spiral D.65 thread 45 (10 products)
1/d	H61311060-VNA	RIGHT SPIRAL D65 P60 8 PROD.
1E	61311079-V	Right spiral D.65 thread 78,5 (6 products)
1/f	H61311091NA	RIGHT SPIRAL D65 P94 5 PROD.
1G	61311117	Right spiral D.65 thread 117 (4 products)
1H	H61311067NA	RIGHT SPIRAL D65 P67 7 PROD.
2	601300029	LXS9 Spiral motor shaft
3	601300012	LXS9 Spiral attachment ring nut
4	H601300034-01	FRICITION FOR SPIRAL ATTACHMENT
5	VIT0003512	NYLON WASHER 12,7X35X1,5
6	61302011	Spiral gearmotor
7	H601300031	TOOTHED WHEEL FOR SPIRAL
8	601300032	LXS9 Bush for toothed wheel
9A	61312024-V	Left spiral D.65 thread 24 (20 products)
9B	61312032-V	Left spiral D.65 thread 32 (15 products)
9C	61312045-V	Left spiral D.65 thread 45 (10 products)
9D	61312060-V	Left spiral D.65 thread 60 (8 products)
9E	61312079-V	Left spiral D.65 thread 78,5 (6 products)
9F	61312091	Left spiral D.65 thread 94 (5 products)
9G	61312117	Left spiral D.65 thread 117 (4 products)
10	60300043	Small spoon for spiral

LIFT DRAWER GROUP



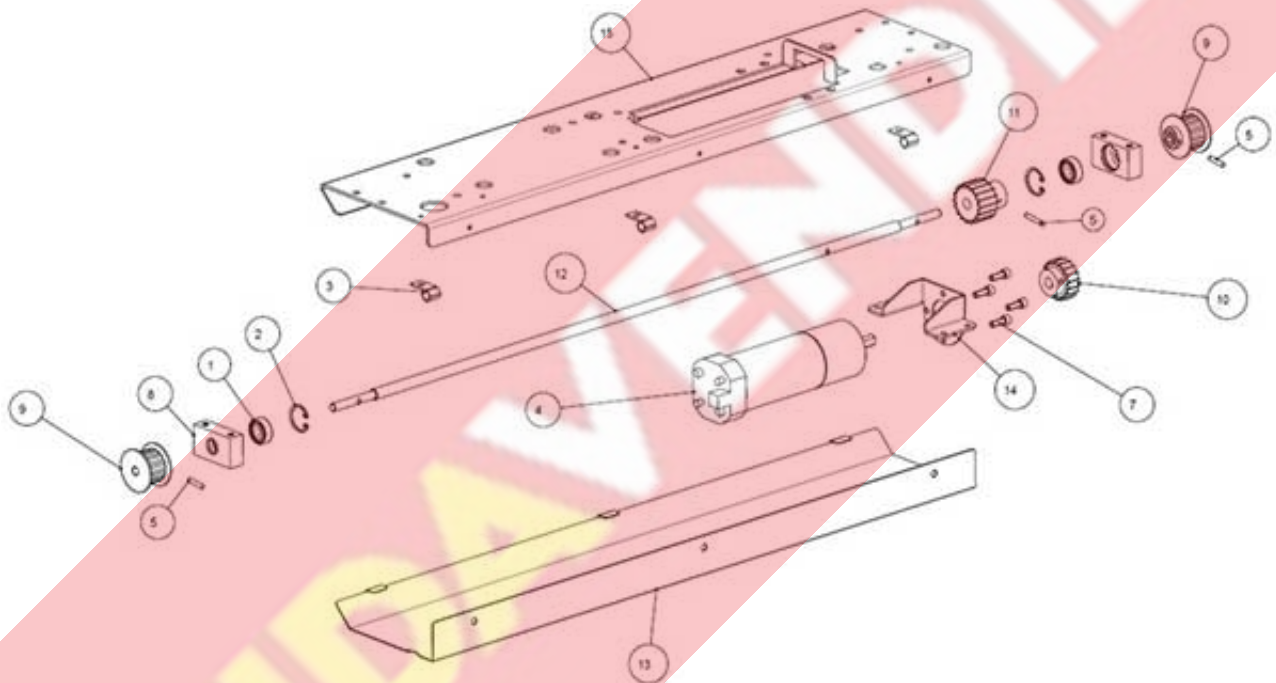
LIFT DRAWER GROUP		
Pos.	Code	Description
1	Z850D503087	BELT STOPPER PLATE
2	H501801220	BELT FRONT BLOCK
3	H501801221	BELT REAR BLOCK
4	H66100008	SPACER
5	Z850D503007	SLIDER SPACER PLATE
6	Z850D503135	SLIDER SPACER PLATE
7	Z850D503186	CABLE STOPPER BRACKET
8	Z850D503006	R.H. SLIDER PLATE
9	Z850D503173NA	R.H. AND L.H SLIDER PLATE
10	H00067041	IR FTCA BARRIER BOARD
11	H00040098	SPACER 3,2X6
12	Z850D503004NA	R.H. BASKET FTCA SUPPORT
13	Z850D503416-RIC	ASSEMBLED ELEVATOR FRAME
14	Z850D503123	LIFT LEVER STOPPER
15	Z850D503083	PLASTIC BASKET CLOSER
16	Z850D503008	L.H. BASKET PLATE
17	Z850D503005NA	L.H. BASKET FTCA SUPPORT
18	Z850D503009	MICROSWITCH SUPPORT
19	DAM0000048	REED SENSOR MK04U-1A71
20	Z850D503136NA	FRONTAL PANEL
21	Z850D503180	ADHESIVE PANEL
22	Z850D503134NA	BASKET FRONT DOOR
23	Z850D503240	TILTING WHEEL BRACKET
24	H61302015	DRAWER SLIDING WHEEL
25	VIT0003005	WASHER 6,4X12X1,6
26	Z850D503185	BLACK ADHESIVE PC
27	Z850D503184	BLACK ADHESIVE PC
28	Z850D503141	REAR BASKET ROTATION BRACKET
29	Z850D503133NA	BRACKET REAR DOOR
30	DAM0000066	PIVOT M4
31	Z850D503419-RIC	FRONT PANEL ASSEMBLY

LIFT GROUP



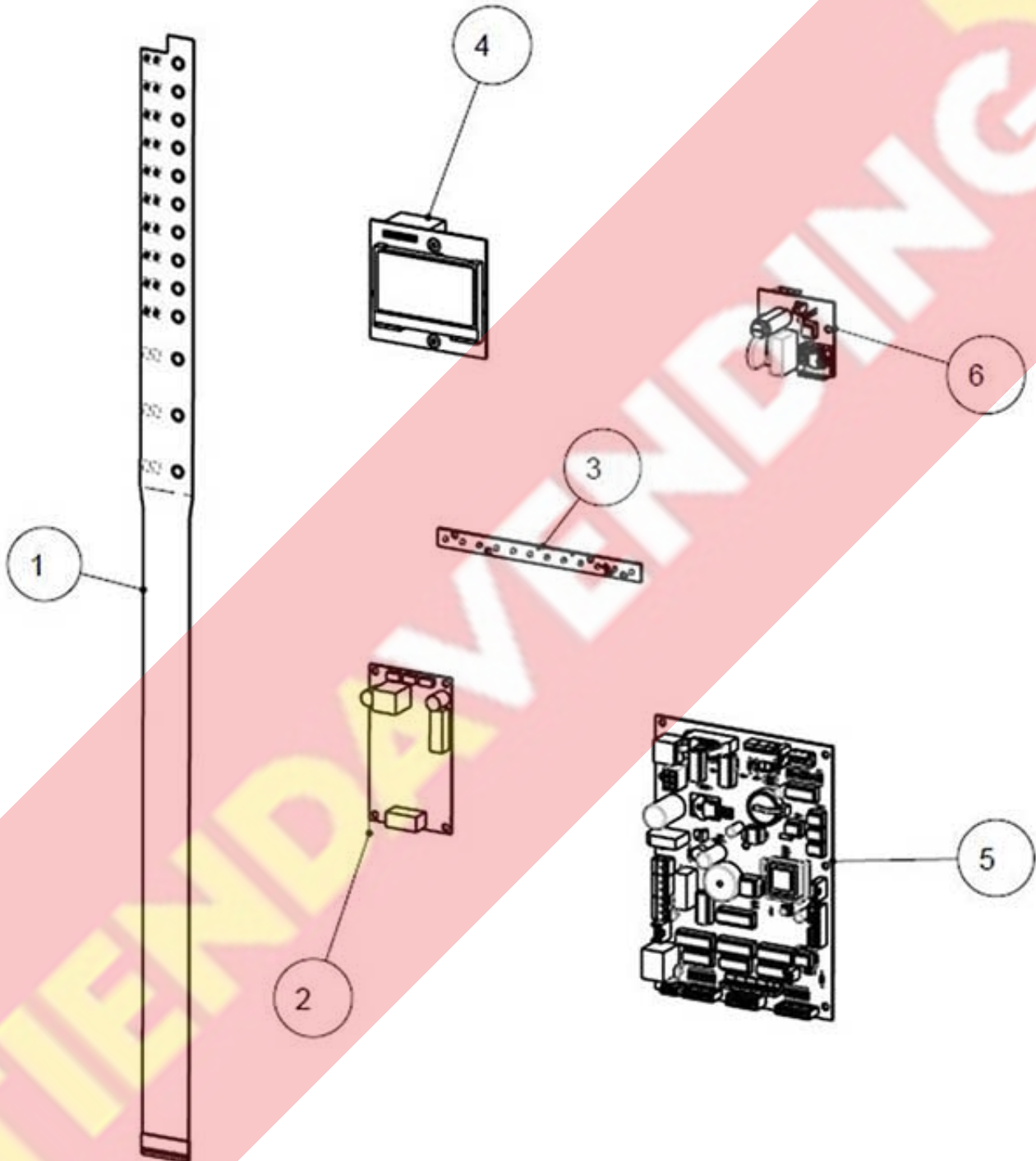


LIFT GROUP		
Pos.	Code	Description
1	CBLD503011	CHAIN + 2FTCA
2	DAM0000042	CABLES CLIP
3	Z850D503053	R.H. UPPER WALL
4	Z850D503145	CHAIN BRACKET
5	Z850D503062-RIC	BELT
6	Z850D503052	R.H. PULLEY SUPPORT
7	Z850D503017	R.H. NYLON WHEEL GUIDE
8	Z850D503057	L.H. NYLON WHEEL GUIDE
9	H00027003	MICROSWITCH CROUZET
10	Z850D503082	MICROSWITCH SUPPORT
12	Z850D503058	L.H. UPPER WALL
13	Z850D503081	L.H. PULLEY SUPPORT
14	H00067041	IR FTCA BARRIER BOARD
15	H00040098	SPACER 3,2X6
16	H00040098	SPACER 3,2X6
17	Z850D503048	PULLEY SHAFT SUPPORT
18	H501801352	LOWER BEARING SUPPORT
19	Z850D503051	PULLEY SHORT SHAFT
20	H00045002	BALL BEARING D.19/D.6
21	Z850D503049	LOWER PULLEY
22/a	Z850D503046	L.H. FTCA METAL SUPPORT
22/b	Z850D503246	L.H. FTCA METAL SUPPORT - NEW
23/a	Z850D503059	R.H. FTCA METAL SUPPORT
23/b	Z850D503259	R.H. FTCA METAL SUPPORT - NEW
25	VIT0006604	STOP RING 19
26	VIT0006653	SHAFT STOP RING D.6
27	H00012002	MICROSWITCH PLATE
28	VIT0004701	NUT M3
29	ELE0001906	MICROSWITCH LEVER
30	VIT0008102	STUD BOLT M3X15
31	VIT0004502	NUT M3
32	VIT0008101	STUD BOLT M3X10



TRANSMISSION MOTOR GROUP		
Pos.	Code	Description
1	H00045002	BALL BEARING D.19/D.6
2	VIT0006604	STOP RING 19
3	FASC000553	Clips for cable D. 6,4 (WHC-250-01)
4	Z850D503085	GEAR MOTOR 400RPM
5	VIT0005015	PIN 3X20
7	DAM0000064	SCREW TC 3,9x9,5
8	Z850D503026	MOTOR BEARING SUPPORT
9	Z850D503033	PULLEY
10	Z850D503149	GEAR WHEEL FOR MOTOR
11	Z850D503150	GEAR WHEEL Z18 FOR SHAFT
12	Z850D503151	SHAFT D.8
13	Z850D503154NA	SHAFT COVER
14	Z850D503155	MOTOR SUPPORT PLATE
15	Z850D503156	TRANSMISSION SHAFT SUPPORT PLATE

Electronic cards



Electronic cards		
Pos.	Code	Description
1/a	H00061060	MEMBRANE KEYPAD (13 BUTTONS)
1/b	H00061058	MEMBRANE KEYPAD (10 BUTTONS)
2	SCH0010400	LIFT+2 FTCA INTERFACE BOARD
3	H00067041	IR FTCA BARRIER BOARD
4	H00140001	GRAPHIC DISPLAY BOARD
5	H00120001-01	CPU BOARD
6	H00065102-01	TRIACK/FUSE BOARD