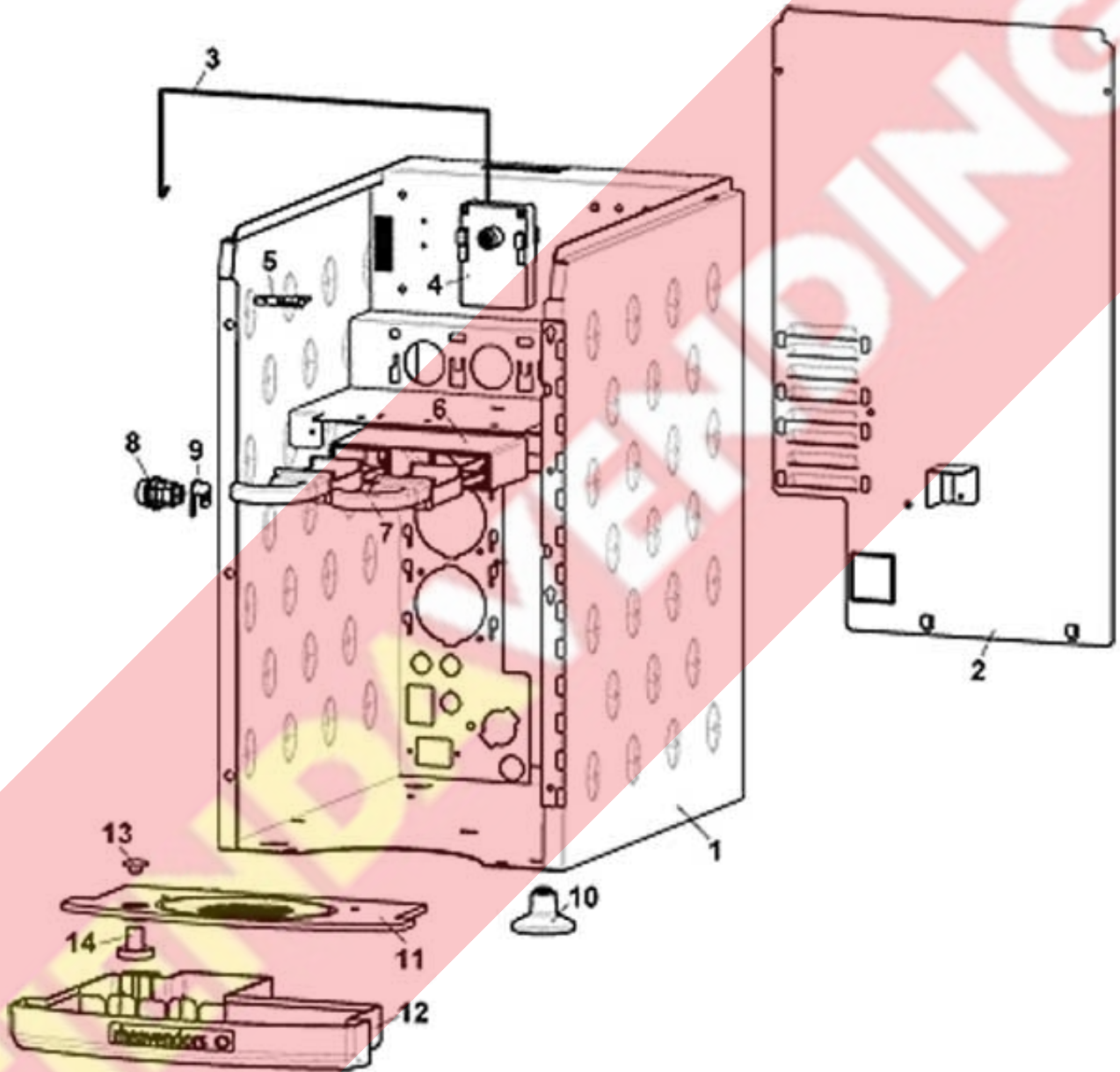


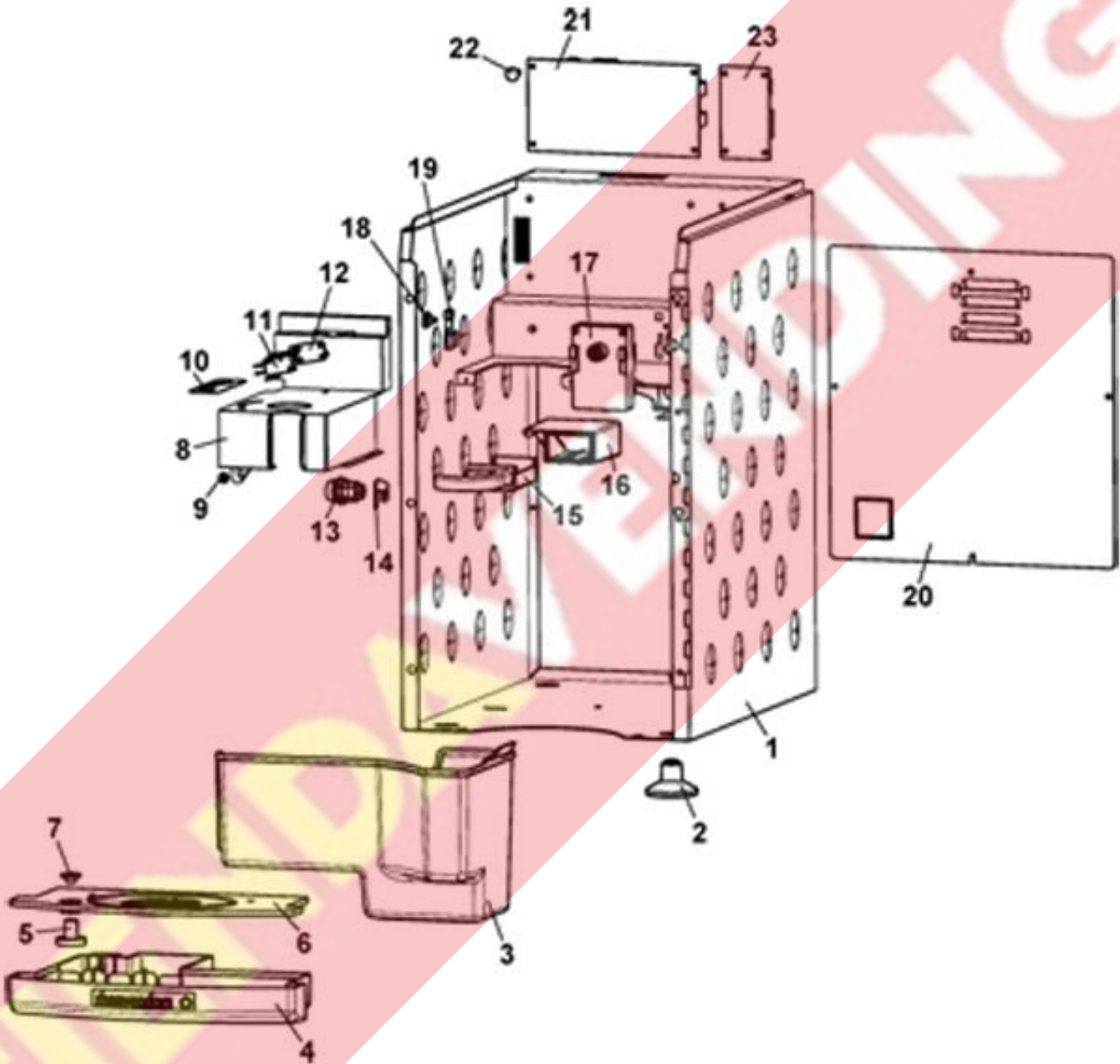
vending machine



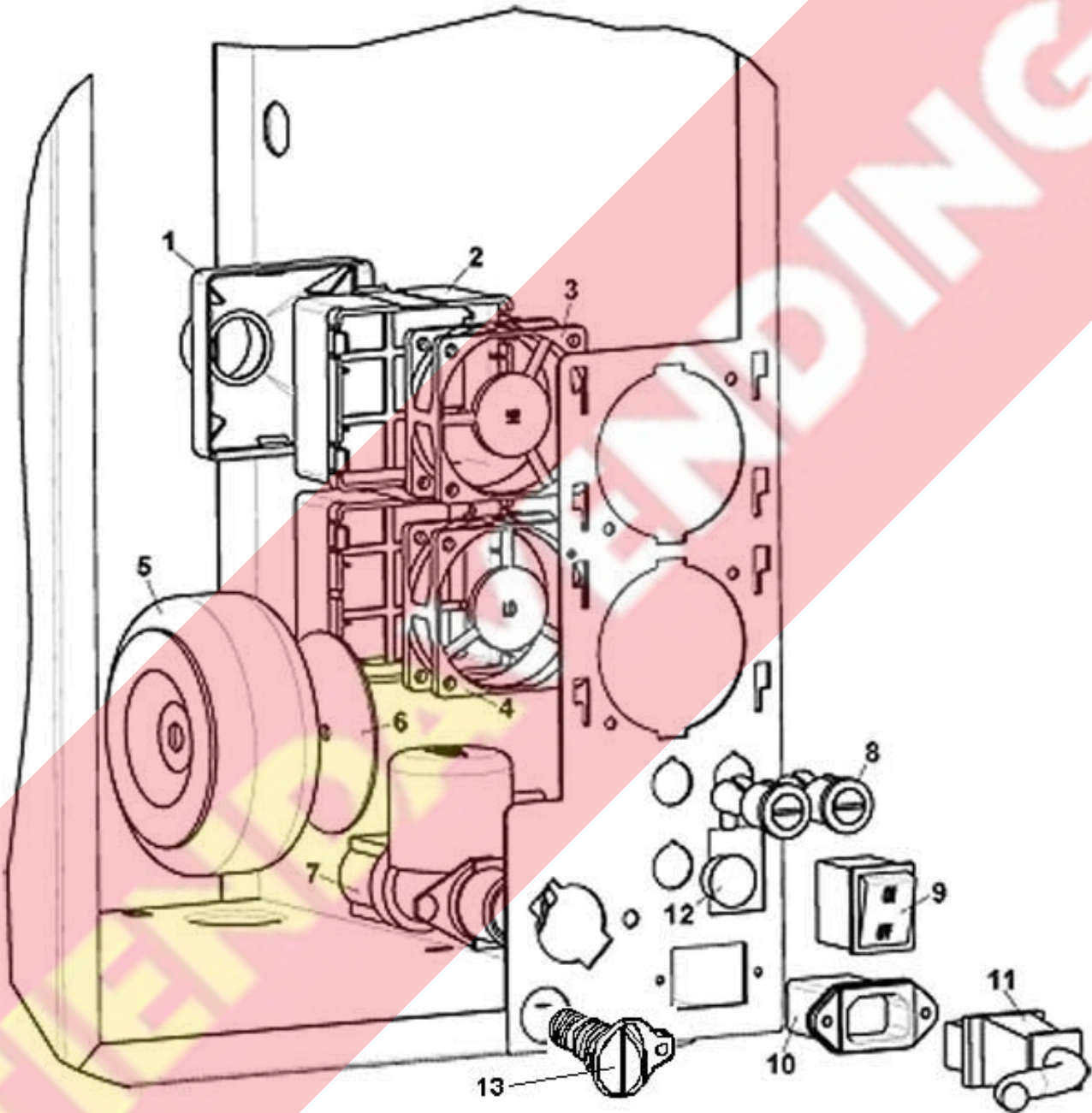
spare parts manual



cabinet (instant version)		
Pos.	Code	Description
1	Z0010027305CM	CABINET RAL 9006
2	Z0010027318CM	REAR PANEL RAL 9006
3	Z0010027262	UPPER LID HOOK
4	Z0090002113	MOTOR 24 DC 97 RPM
5	Z0270011109IC	SERVICE KEY RAL2011
6	Z0010027021	TRAP DRAWER
7	Z0010027022	TRAP DRAWER REMOVABLE
8	SER0000024	LOCK MM20 + KEY 3374
9	Z0020035615	LOCK BRACKET
10	Z0010027326XC	MACHINE FOOT CROMO
11/a	Z0020037117NA	DRIP TRAY GRID BLACK
11/b	Z0020037117XC	DRIP TRAY GRID CHROME
12/a	Z0020037116NA	DRIP TRAY BLACK
12/b	Z0020037116NC	DRIP TRAY BLACK
13	Z0020037045	WASTE FLOAT RAL 9005
14	Z0020037046	WASTE FLOAT RAL 3020

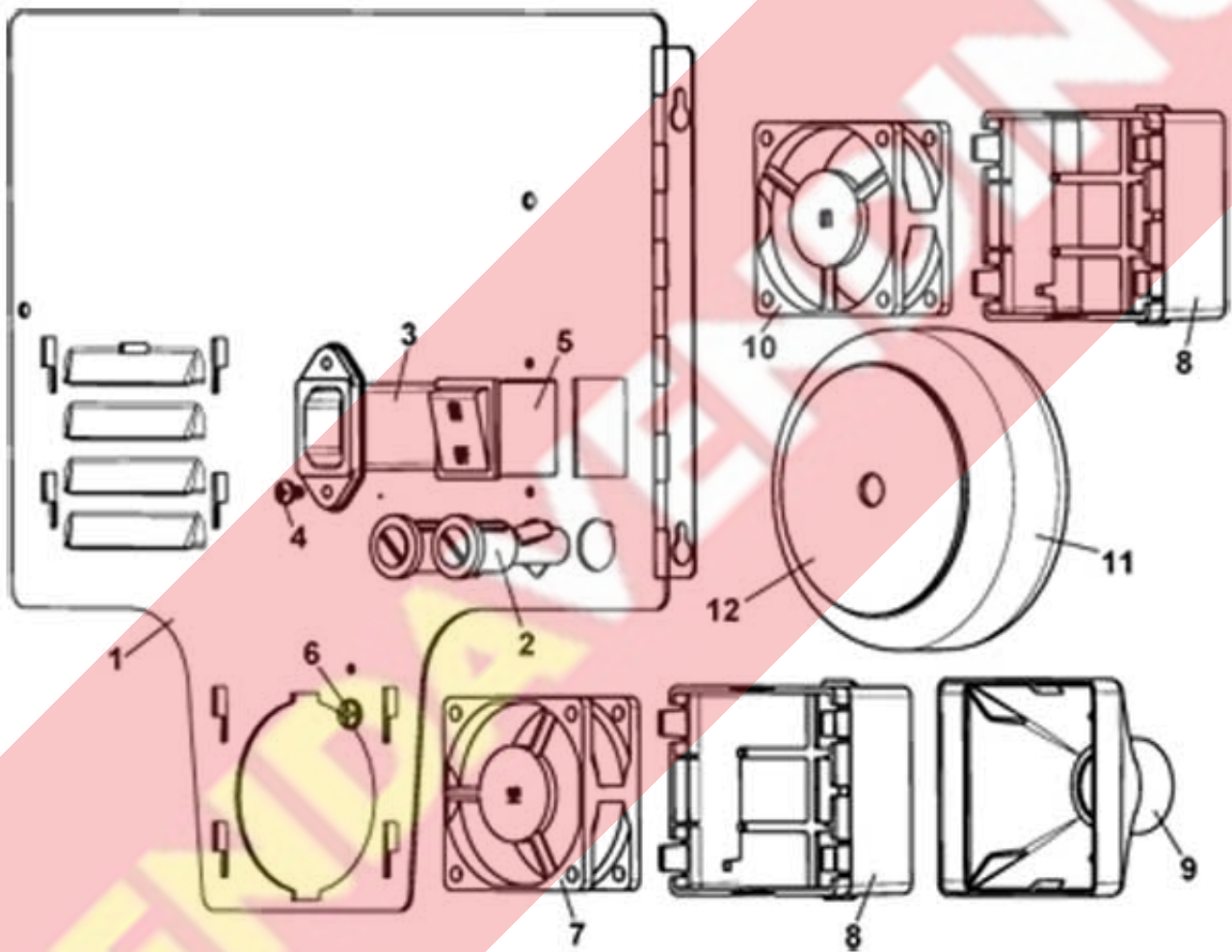


cabinet (espresso version)		
Pos.	Code	Description
1	Z0010027605CM	CABINET E RAL 9006
2	Z0010027326XC	MACHINE FOOT CROMO
3	Z0010027229-02	GROUNDS HOPPER
4/a	Z0020037116NA	DRIP TRAY BLACK
4/b	Z0020037116NC	DRIP TRAY BLACK
5	Z0020037046	WASTE FLOAT RAL 3020
6/a	Z0020037117NA	DRIP TRAY GRID BLACK
6/b	Z0020037117XC	DRIP TRAY GRID CHROME
7	Z0020037045	WASTE FLOAT RAL 9005
8	Z0010027248	GRINDER COVER
9	VIT0000007	SCREW HEAD TAP CAP M3X20
10	Z0010027249	GRINDER STICKER
11	ELE0001522	MICROSWITCH
12	4600010014	SPACER
13	SER0000024	LOCK MM20 + KEY 3374
14	Z0020035615	LOCK BRACKET
15	Z0010027022	TRAP DRAWER REMOVABLE
16	Z0010027214	TRAP DRAWER
17	Z0090002113	MOTOR 24 DC 97 RPM
18	ELE0062253	WIRING CLAMP ADESIVE
19	Z0270011109IC	SERVICE KEY RAL2011
20	Z0010027629CM	REAR PANEL RAL 9006
21		See table control and power logic
22	ELE0062020	BOARD SUPPORT
23		See table control and power logic



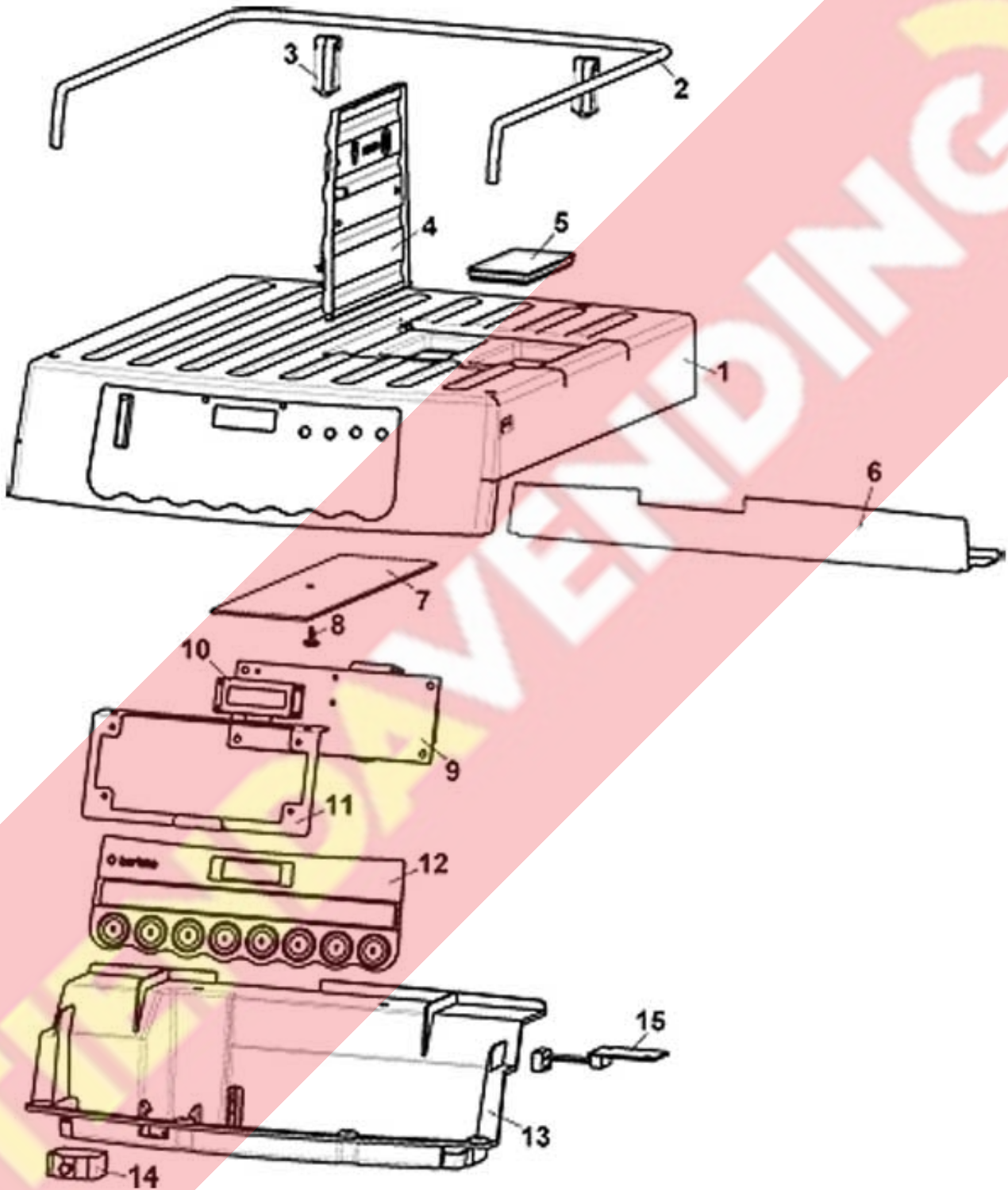
rear view cabinet (instant version)		
Pos.	Code	Description
1	Z0010027065	FAN CONNECTOR
2	Z0010027064	FAN SUPPORT
3	ELE0000461R	§FAN 24V DC-HIGH SPEED
4	ELE0000462R	§ FAN 24V DC-LOW SPEED
5	ELE0000555R	§ TOROIDAL TRANSFORMER 230V
6	Z0010027319	TRANSFORMER DISK
7	Z0110001119	WATER INLET VALVE 24V DC
8	ELE0003508CL	FUSE HOLDER+FUSE 12A
9	ELE0002014	BIPOLAR SWITCH 15A 250V
10	ELE0002315	MAINS SOCKET 115/250V 10A
11	ELE0055008	SUPPLY CABLE+PLUG+SCHUK.SOCKET
12	GUA0011010	PLUG
13	Z0600016455	H2O OUTLET PLUG

rear view cabinet (espresso version)



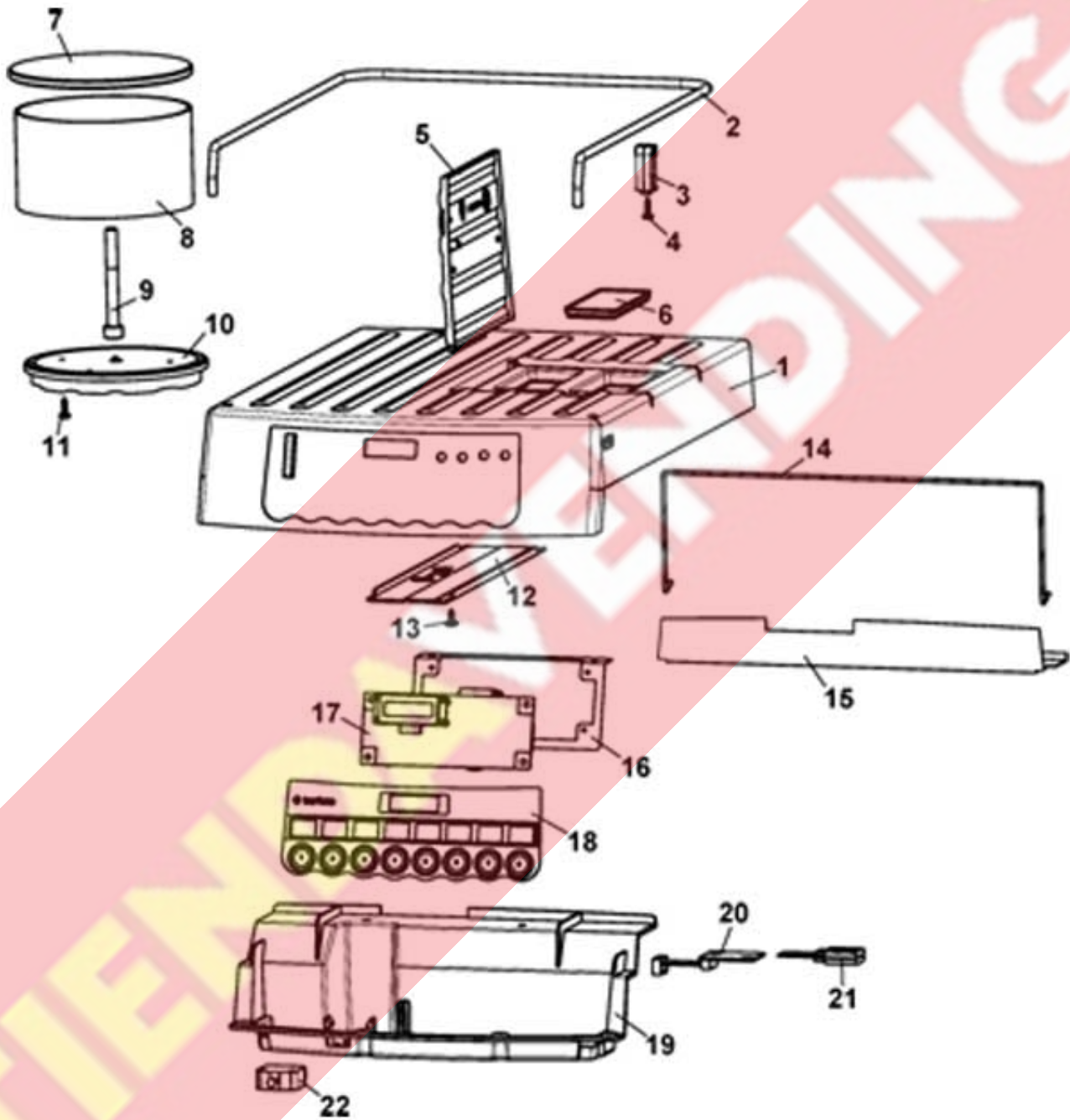
rear view cabinet (espresso version)		
Pos.	Code	Description
1	Z0010027625CM	ELECTRIC COMPONENT SUP R.9006
2	ELE0003508CL	FUSE HOLDER+FUSE 12A
3	ELE0002315	MAINS SOCKET 115/250V 10A
4	VIT0002010	SCREW ST HEAD CAP M3.5X9.5
5	ELE0002014	BIPOLAR SWITCH 15A 250V
6	VIT0002401	SCREW ST HEAD CAP M3.5X9.5
7	ELE0000461R	§FAN 24V DC-HIGH SPEED
8	Z0010027064	FAN SUPPORT
9	Z0010027065	FAN CONNECTOR
10	ELE0000462R	§ FAN 24V DC-LOW SPEED
11	ELE0000555R1	TOROIDAL TRANSFORMER 230V
12	Z0010027319	TRANSFORMER DISK

UPPER COVER H



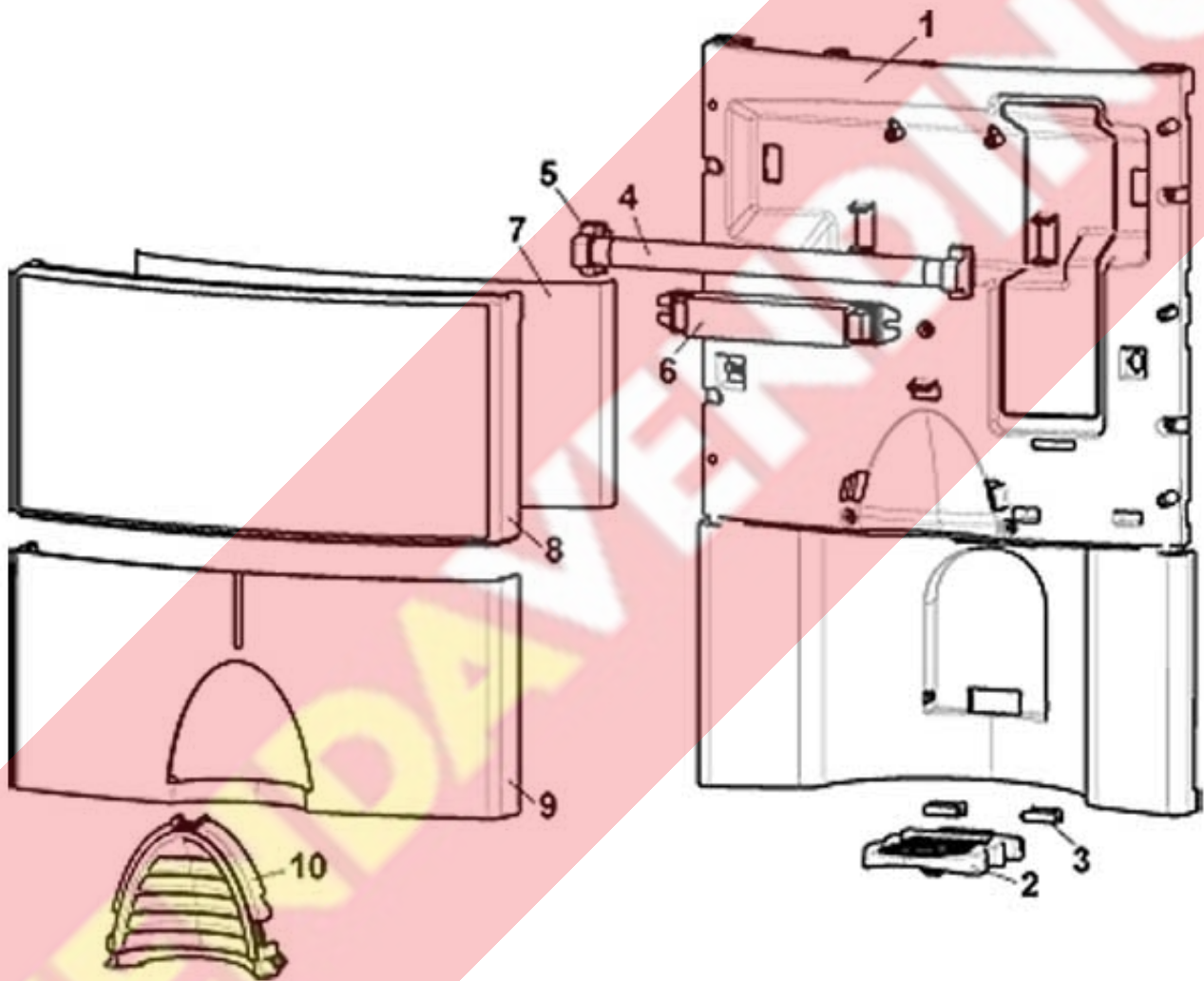
UPPER COVER H		
Pos.	Code	Description
1	Z0010027251/2	
2	Z0010027271	RING CUP
3	Z0010027272AG	RING SUPPORT TRASPARENT
3	Z0010027272NA	RING SUPPORT RAL 9005
4	Z0010027252NA	H2O WATER TANK LID RAL 9005
5	Z0010027259	INLET WATER COVER PLUG
6	Z0010027260	UPPER HINGE COVER
7	Z0010027274-01	CABLE COVER
8	VIT0002401	SCREW ST HEAD CAP M3.5X9.5
9		See table micro coffee group
10		See table micro coffee group
11	Z0010027268	DISPLAY SUPPORT RAL 9005
12	Z0010027293-01	KEYPAD 8 BUTTON BARISTA
13	Z0010027253NA	UPPER LID BLACK
14	ELE0002019	SWITCH 16A 250V
15		See table micro coffee group

UPPER COVER E



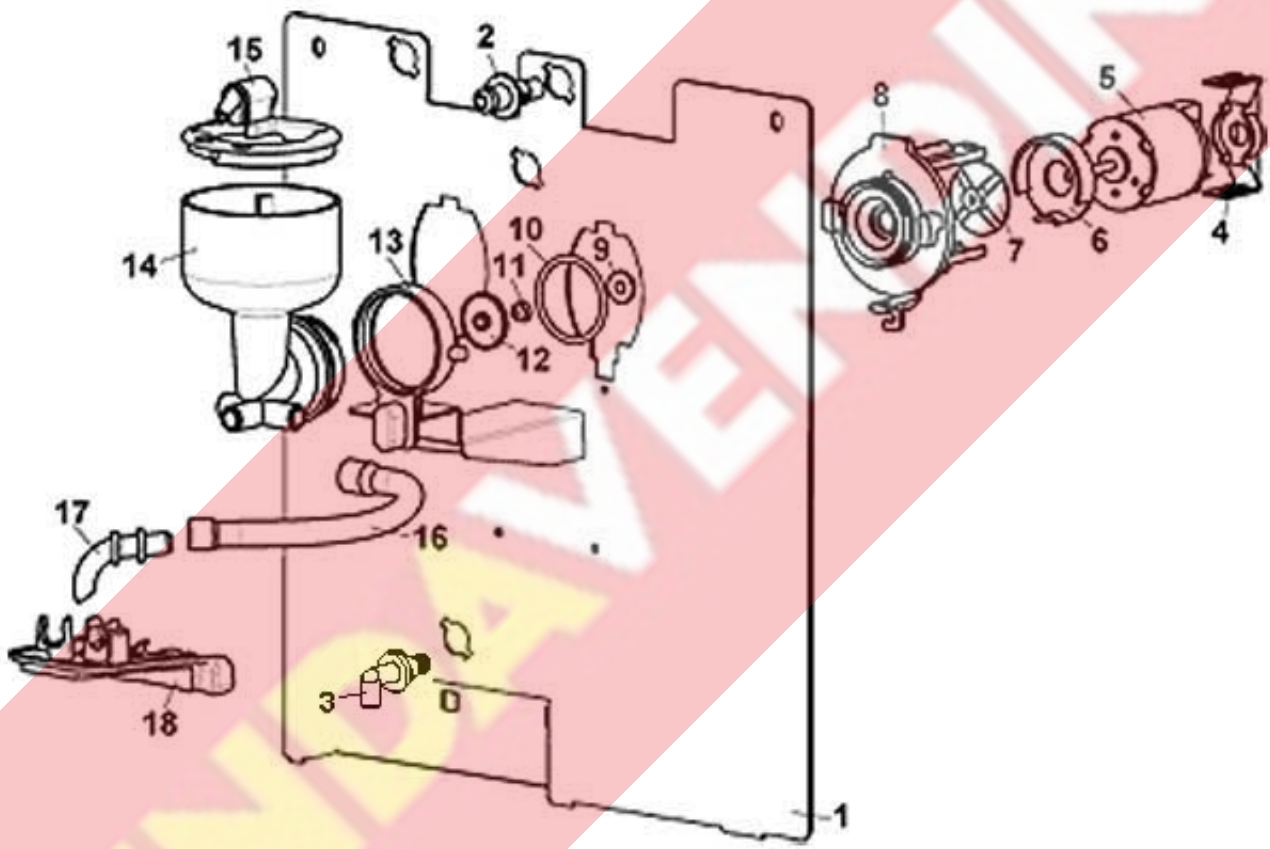
UPPER COVER E		
Pos.	Code	Description
1	Z0010027251/2	
2	Z0010027271	RING CUP
3	Z0010027272AG	RING SUPPORT TRASPARENT
3	Z0010027272NA	RING SUPPORT RAL 9005
4	VIT0002466	SCREW HEAD TAP M3.5X16
5	Z0010027252NA	H2O WATER TANK LID RAL 9005
6	Z0010027259	INLET WATER COVER PLUG
7	Z0010020671	UPPER FLANGE
8	Z0010020673	TRANSPARENT PIPE
9	VIT0000244	TCEI M 8 x 70 Screw
10	Z0010027264	COFFEE CONTAINER BOTTOM
11	VIT0002101	SCREW COUNT FLAT HEAD M3.5X13
12	Z0010027274-01	CABLE COVER
13	VIT0002401	SCREW ST HEAD CAP M3.5X9.5
14	Z0010027262	UPPER LID HOOK
15	Z0010027260	UPPER HINGE COVER
16	Z0010027268	DISPLAY SUPPORT RAL 9005
17		See table control and power logic
18	Z0010027293-01	KEYPAD 8 BUTTON BARISTA
19	Z0010027253NA	UPPER LID BLACK
20		See table control and power logic
21		See table control and power logic
22	ELE0002019	SWITCH 16A 250V
100	Z0010027265CL	COFFEE CONTAINER (From pos.7 to pos. 11)

DOOR



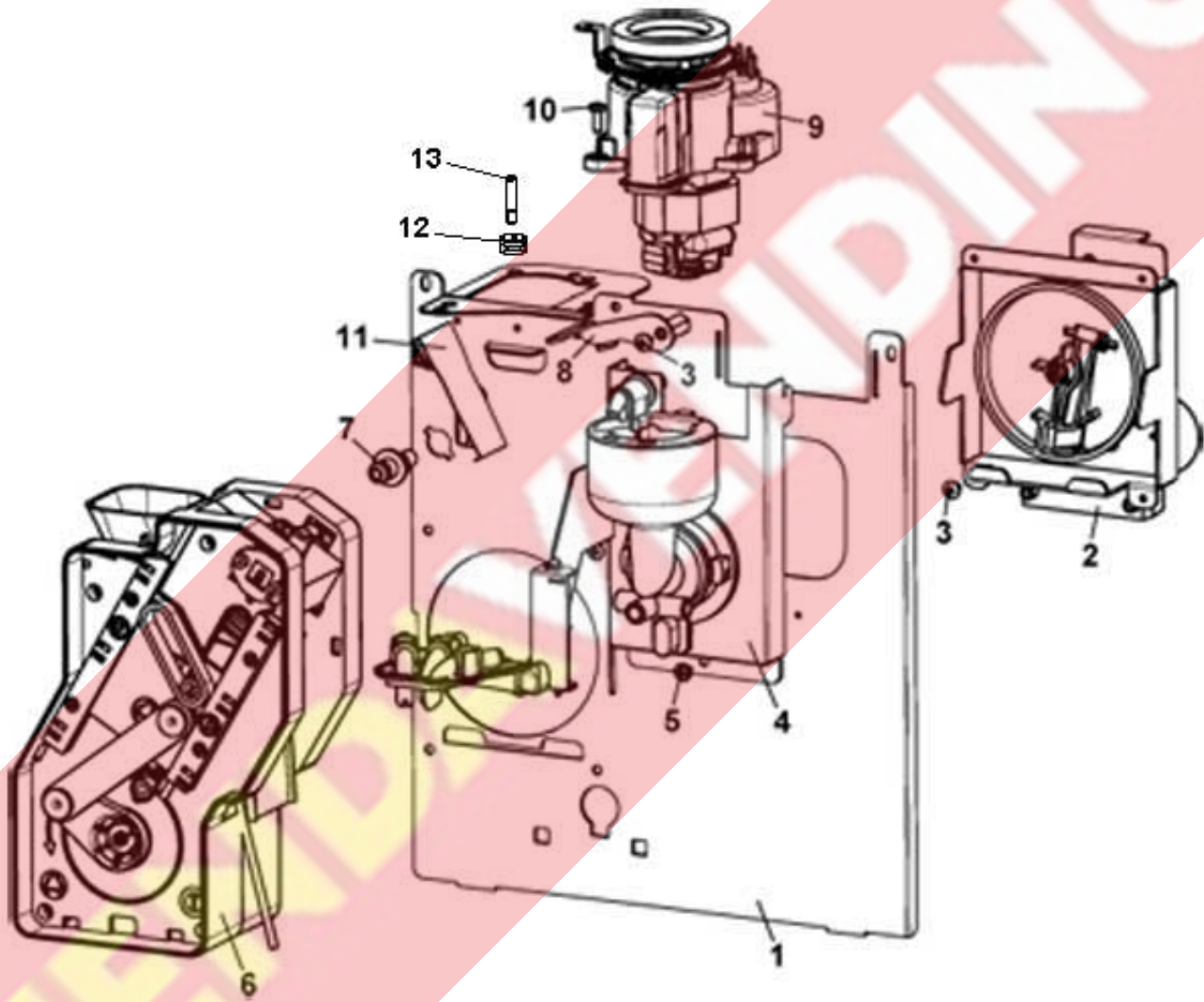
DOOR		
Pos.	Code	Description
1	Z0020037102NC	DOOR FRAME
2	Z0020037122AG	CUP SUPPORT
2	Z0020037122NA	CUP SUPPORT BLACK
3	Z0020037124NA	PIN
4	ELE0009029	LAMP 6 W 210MM
5	ELE0009121	LAMP HOLDER
6	ELE0009126	BALLAST 220V 6-8W
7/a	Z0020037162	BLUE GRAPHIC PANEL BARISTA
7/b	Z0020037161	ORANGE GRAPHIC PANEL BARISTA
8	Z0020037106AG	UPPER DOOR
9	Z0020037107CU	LOWER DOOR
10/a	Z0020037104CL	LIGHT INSERT BLUE
10/b	Z0020037104CL1	LIGHT INSERT AMBER

mixer plan



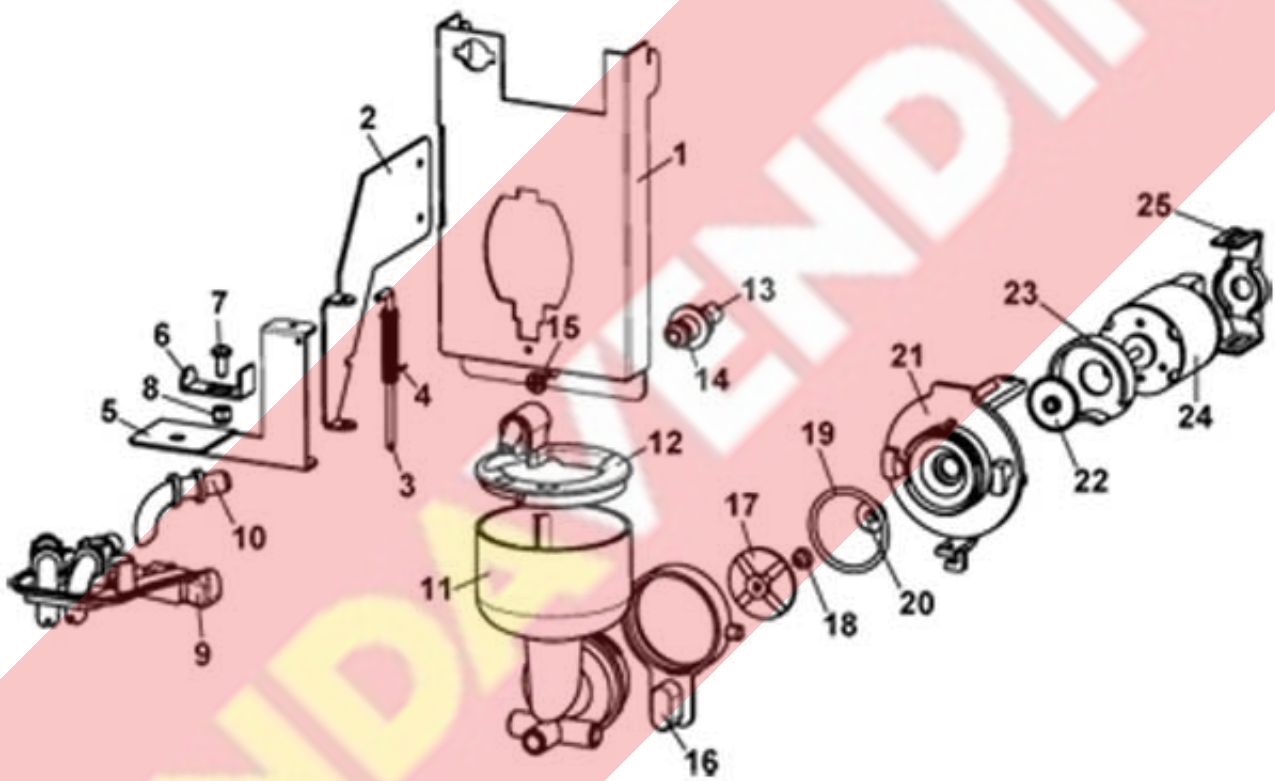
mixer plan		
Pos.	Code	Description
1	Z0010027315CM	MIXER PLATE RAL 9006
2	Z0080100043	MIXER CONNECTOR BLACK
3	Z0080100084	90° CONNECTOR
4	Z0080100009IC	MIXER MOTOR SUPPORT RAL2011
5	Z0090003023	MIXER MOTOR 24V DC SHAFT D.4
6	Z0080100023IC	MIXER COVER RAL2011
7	Z0080100011	MIXER FAN
8	Z0080100005	MOTOR MIXER BASE
9	Z0080100015	MIXER BUSH
10	GUA0000084	OR 3131 RED SILICONE A60
11	Z0080100102	MIXER SHAFT GASKET
12	Z0080100024	MIXER FAN
13	Z0080100006IC	LOCK RING RAL2011
14/a	Z0080200112CPL	MIXER BODY W/LINE CENTER 5002
14/b	Z0080200111R	MIXING BOWL R.W/H20 BREAKER
15	Z0080100042PG	MIXER RING W/INLET PIPE R.5012
16/a	TSIL06/11T-10	SILICON HOSE 6X11 MT.10
16/b	TSIL06/11T-50	SILICON HOSE 6X11 MT.50
17	Z0010020052	PRODUCT NOZZLE
18	Z0020037123NA	NOZZLES HOLDER
100	Z0080100001R	§ MIXER BOWL BASE+MOTOR

assembled mixer plan

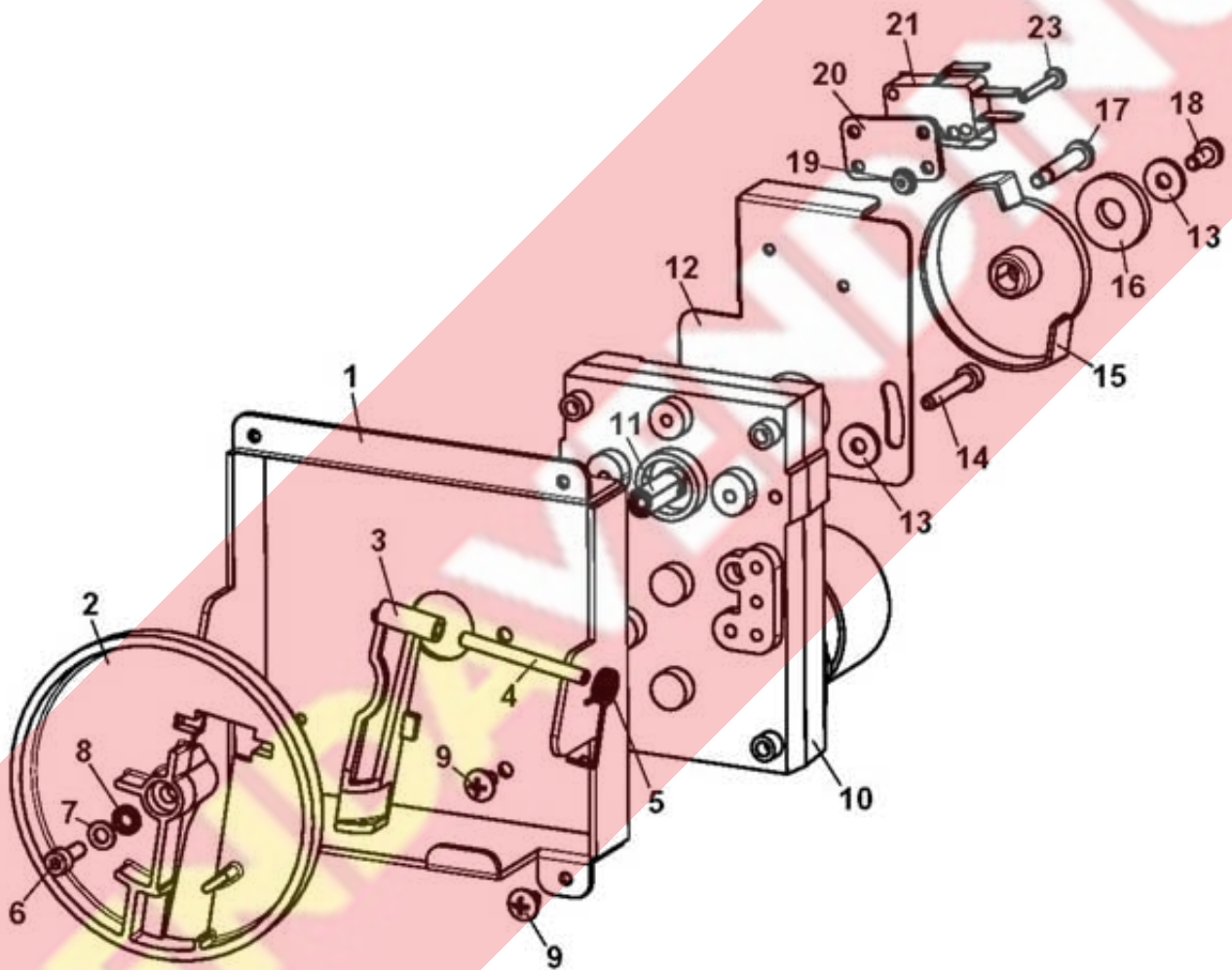


assembled mixer plan		
Pos.	Code	Description
1	Z0010027612	BLACK COFFEE BEANS GRUOP PLAN
2		See table micro coffee group motor support
3	VIT0000030	SCREW HEAD TAP CAP M4X7
4		See table MIXERS SUPPORT ASSEMBLY
5	VIT0002401	SCREW ST HEAD CAP M3.5X9.5
6		See table micro coffee group
7	Z0080100043	MIXER CONNECTOR BLACK
8	Z0010027226-03	COFFEE BREWER LEVER
9		See table vertical mill group
10	VIT0000030	SCREW HEAD TAP CAP M4X7
11	Z0250008038	COFFEE POWDER CHUTE
12	GUA0010551	ELECTRICAL GROMMET
13	VIT0009165	E MILL SCREW

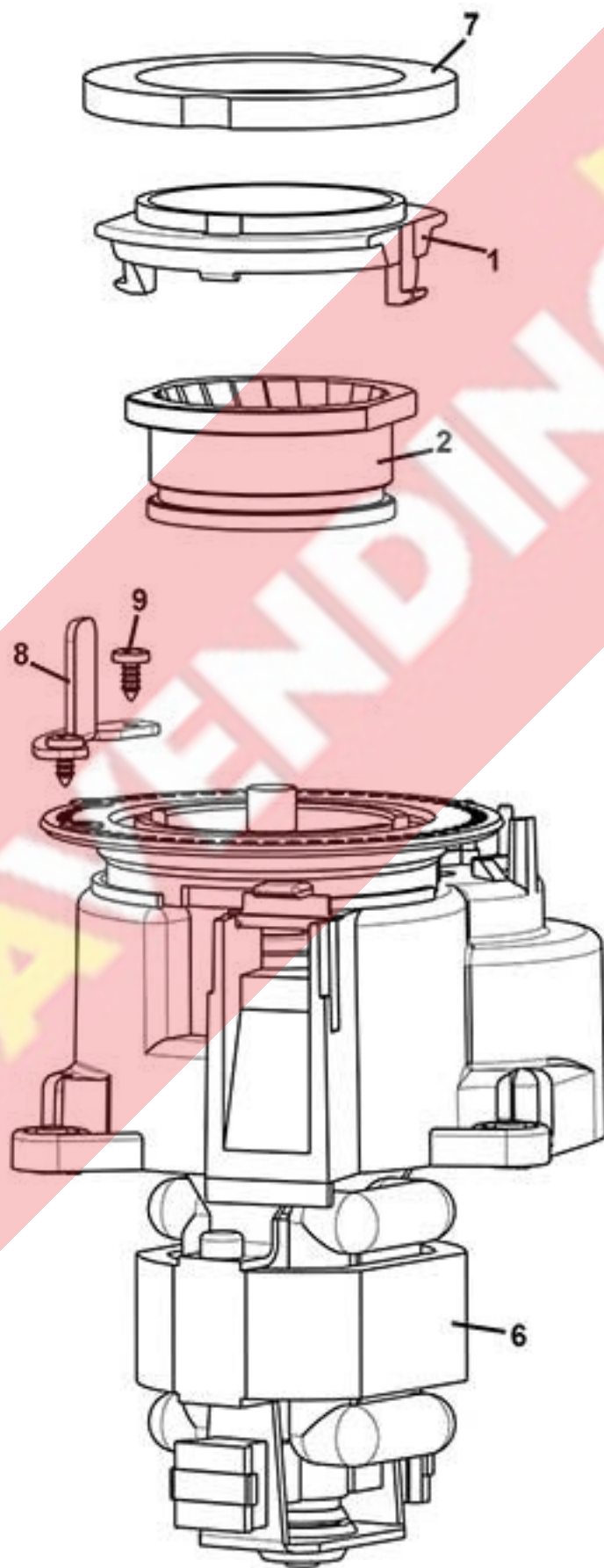
MIXERS SUPPORT ASSEMBLY



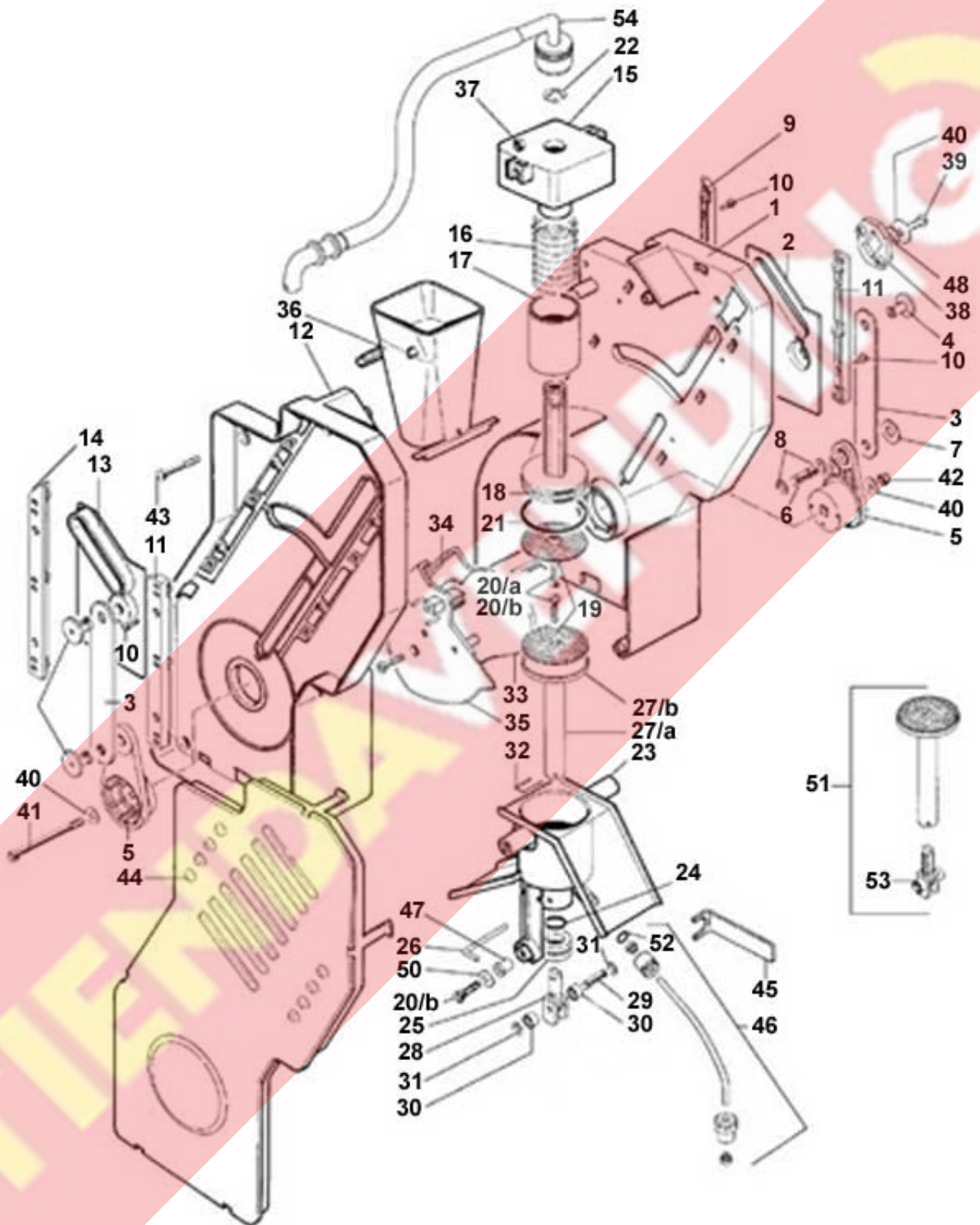
MIXERS SUPPORT ASSEMBLY		
Pos.	Code	Description
1	Z0260012365NA	MIXER PLATE BLACK
2	Z0010027246	NOZZLES HOLDER BRACKET
3	Z0010020137	PIN
4	Z0010020138	SPRING
5	Z0010027247	NOZZLES HOLDER BRACKET
6	Z0010020737-02	STOPPER LEVER
7	VIT00000038	SCREW HEAD TAP CAP M4X10
8	VIT0004810	NUT M4
9	Z0020037123NA	NOZZLES HOLDER
10	Z0010020052	PRODUCT NOZZLE
11	Z0080200112CPL	MIXER BODY W/LINE CENTER 5002
12	Z0080100042PG	MIXER RING W/INLET PIPE R.5012
13	Z0080100043	MIXER CONNECTOR BLACK
14	GUA0000085	OR 106 RED SILICONE A70
15	VIT0002401	SCREW ST HEAD CAP M3.5X9.5
16	Z0080100006IC	LOCK RING RAL2011
17	Z0080100011	MIXER FAN
18	Z0080100102	MIXER SHAFT GASKET
19	GUA0000084	OR 3131 RED SILICONE A60
20	Z0080100015	MIXER BUSH
21	Z0080100005	MOTOR MIXER BASE
22	Z0080100024	MIXER FAN
23	Z0080100023IC	MIXER COVER RAL2011
24	Z0090003023	MIXER MOTOR 24V DC SHAFT D.4
25	Z0080100009IC	MIXER MOTOR SUPPORT RAL2011
100	Z0080100001R	§ MIXER BOWL BASE+MOTOR



micro coffee group motor support		
Pos.	Code	Description
1	Z0260010128KE	MICRO BREWER MOTOR RED SUPPORT
2	Z0250008012	MOTOR CRANK
3	Z0250008034	HOOKING LEVER
4	VIT0005205	DOWEL PIN 4X40
5	Z0250008059	SPRING
6	VIT0005508	SCREW HEX HEAD REC TAP M4X12
7	VIT0003003	WASHER 4,3X8X0,8
8	VIT0003103	SPRING WASHER 4,3
9	VIT0000030	SCREW HEAD TAP CAP M4X7
10	Z0090002191R	§ GEARBOX MOTOR 11RPM 24V DC Pos. 10+11
11	Z0090002191R	§ GEARBOX MOTOR 11RPM 24V DC Pos. 10+11
12	Z0250008093	MICRO PLATE
13	VIT0003301	WASHER 4,3X12X1,5
14	VIT0005521	SCREW HEX HEAD REC TAP M4X25
15	Z0250008043	MICRO GROUP READER DISK
16	Z0250008091	SPACER
17	Z0250008126	PIN M4
18	VIT0000012	SCREW HEAD TAP CAP M4X10
19	VIT0004701	NUT M3
20	4600010014	SPACER
21	ELE0001529	MICROSWITCH WITH LEVER
23	VIT0000007	SCREW HEAD TAP CAP M3X20
100	Z0260010128R2	§MICRO BREW MOTOR SUPPORT(RED)

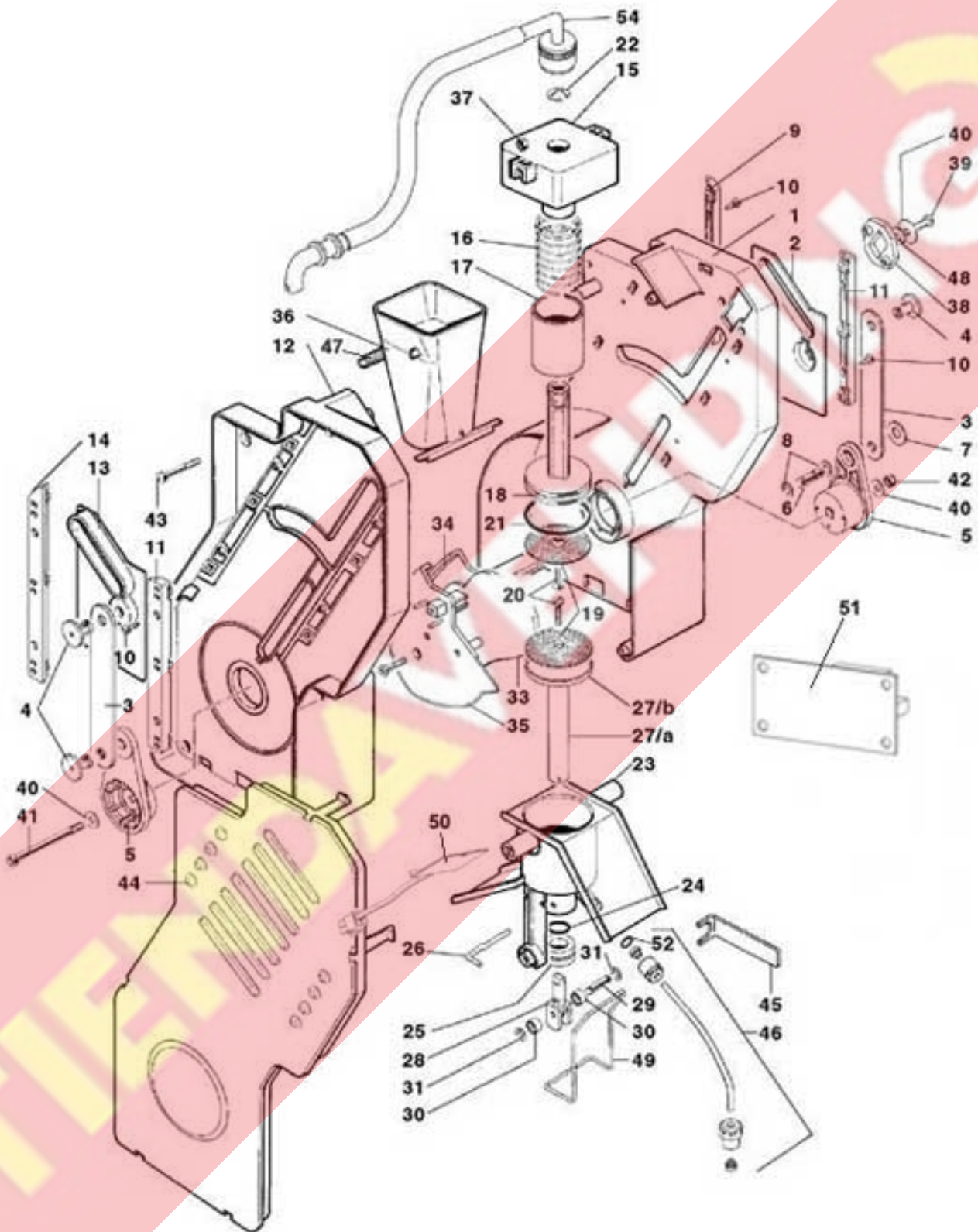


vertical mill group		
Pos.	Code	Description
1	Z0320004503	GRINDER RING
2	Z0320004505	UPPER GRINDER
6	Z0090003044	GRINDER MOTOR 230V
7	Z0320004517	GRINDER GASKET H5
8	Z0320004731	GRINDER REGULATION LEVER
9	VIT0002001	SCREW ST HEAD CAP M2.9X6.5
100	Z0320004500CL4	§ GRINDER 230V GREEN From pos. 1 to pos. 9 excluded pos.7



micro coffee group		
Pos.	Code	Description
1	Z0250008005R	§ MICRO BREWER COVERS-L.H+R.H
2	Z0250008084	INFUSION CHAMBER CAM-RIGHT
3	Z0250008009	CONNECTING ROD
4	Z0250008028	CONNECTING ROD PIN
5	Z0250008011	RIGHT CRANK
6	Z0250008014	PIN
7	Z0250008042	ANTIVIBRATION WASHER
8	VIT0006515	RING 5
9	Z0250008031	REAR RIGHT GUIDE
10	VIT0002026	SCREW ST HEAD CAP M3.5X6.5
11	Z0250008033	FRONTAL GUIDE
12	Z0250008005R	§ MICRO BREWER COVERS-L.H+R.H
13	Z0250008085	INFUSION CHAMBER CAM-LEFT
14	Z0250008032	REAR LEFT GUIDE
15	Z0250008086	UPPER FILTER SUPPORT
16	Z0250008024	UPPER FILTER SPRING
17	Z0250008087	SPRING COVER PIPE
18/a	Z0250008026R	§ UPPER COFFEE FILTER D 36 For Coffee beans group D. 36 (Pos.18/a+19/a+21/a+20)
18/b	Z0250008208R	§ UPPER COFFEE FILTER D.40 For Coffee beans group D. 40 --- (Pos. 18/b+19/b+21/b+20)
19/a	Z0250008099	COFFEE FILTER For Coffee beans group D. 36
19/b	Z0250008211	COFFEE FILTER D 37.3 For Coffee beans group D. 40
20/a	VIT0001202	SCREW COUNT FLAT HEAD M3X14
20/b	VIT0000121	SCREW COUNT FLAT HEAD M3X8
21/a	GUA0000080	OR 4112 RED SILICONE LSR70 For Coffee beans group D. 36
21/b	GUA0000097	OR 4131 RED SILICONE LSR70 For Coffee beans group D. 40
22	VIT0006513	RING 8
23/a	Z0250008046R	§ BREWER INFUSION CHAMBER For Coffee beans group D. 36
23/b	Z0250008206R	§ LOWER COFFEE FILTER D.40 For Coffee beans group D. 40
24	GUA0000065	OR 112 SILICON
25	Z0250008053	LOWER INLET CUP BUSH
26	Z0250008029	FUNNEL PIN
27/a	Z0250008108	LOWER FILTER SHAFT
27/b	Z0250008122	COFFEE FILTER LOW 36 For Coffee beans group D. 36
27/c	Z0250008209IC	LOWER COFFEE FILTER D.40 For Coffee beans group D. 40
28	Z0250008106	BEARING SUPPORT
29	Z0250008021	BEARING SHAFT
30	Z0250008022	BEARING
31	VIT0006517	RING 3.2
32	Z0250008027	LOWER FILTER PIN
33	Z0250008083	CAM
34	Z0250008016	CAM RIGHT
35	Z0250008017	CAM LEFT
36	Z0250008036	COFFEE FUNNEL
37	VIT0004803	NUT M4
38	Z0250008035	SETTING PLATE
39	VIT0000032	SCREW HEAD TAP CAP M4X8
40	VIT0003309	WASHER4,3X16X1,5

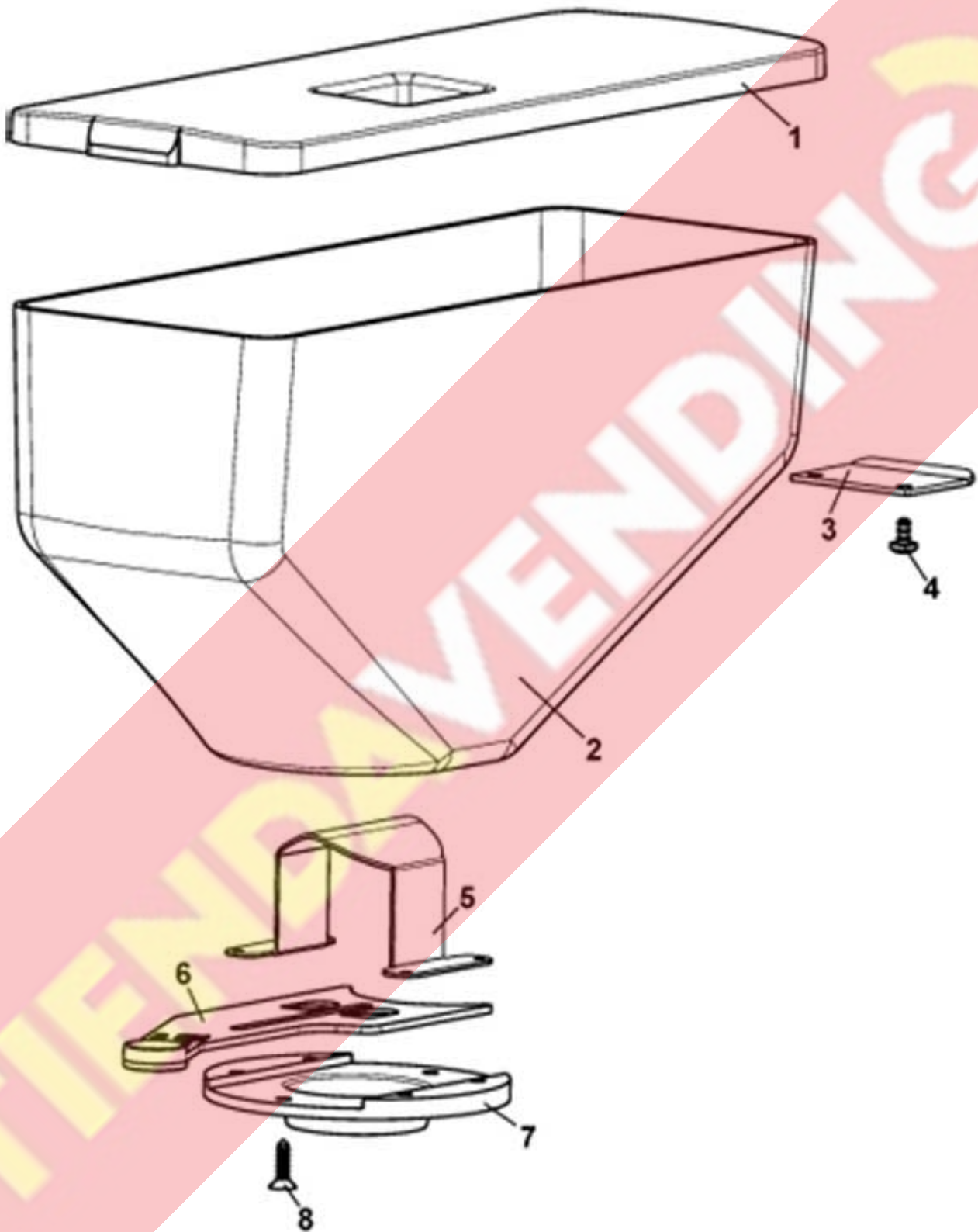
micro coffee group		
41	VIT0005523	SCREW HEX HEAD REC TAP M4X60
42	VIT0004810	NUT M4
43	VIT0002461	SCREW HEAD TAP M4.2X26
44	Z0250008039CM	MICRO BREWER COVER-L.H RAL9006
44	Z0250008039IC	MICRO BREWER COVER-L.H RAL2011
45	Z0250008048	KEY FOR NUT
46	Z0250008110CL	§ WATER INLET PIPE
47	VIT0009203	INSERT
48	VIT0003451	SPRING WASHER 4,2
49	Z0250008094	SCRAPER
50	Z0250008088	WASHER
51	Z0250008109R	§ LOW.COFFEE FILTER D.36+BEAR.
52	GUA0000061	OR 2010 VITON 80 BLACK
53	Z0250008107R	BEARING SUPPORT
54	Z0250008076CL	§ COFFEE OUTLET PIPE
100	Z0250008001R	COFFEE BREWER MICRO D.36
101	Z0250008201R	COFFEE BREWER MICRO D.40
104	Z0250008108R	§ LOWER COFFEE FILTER D.36



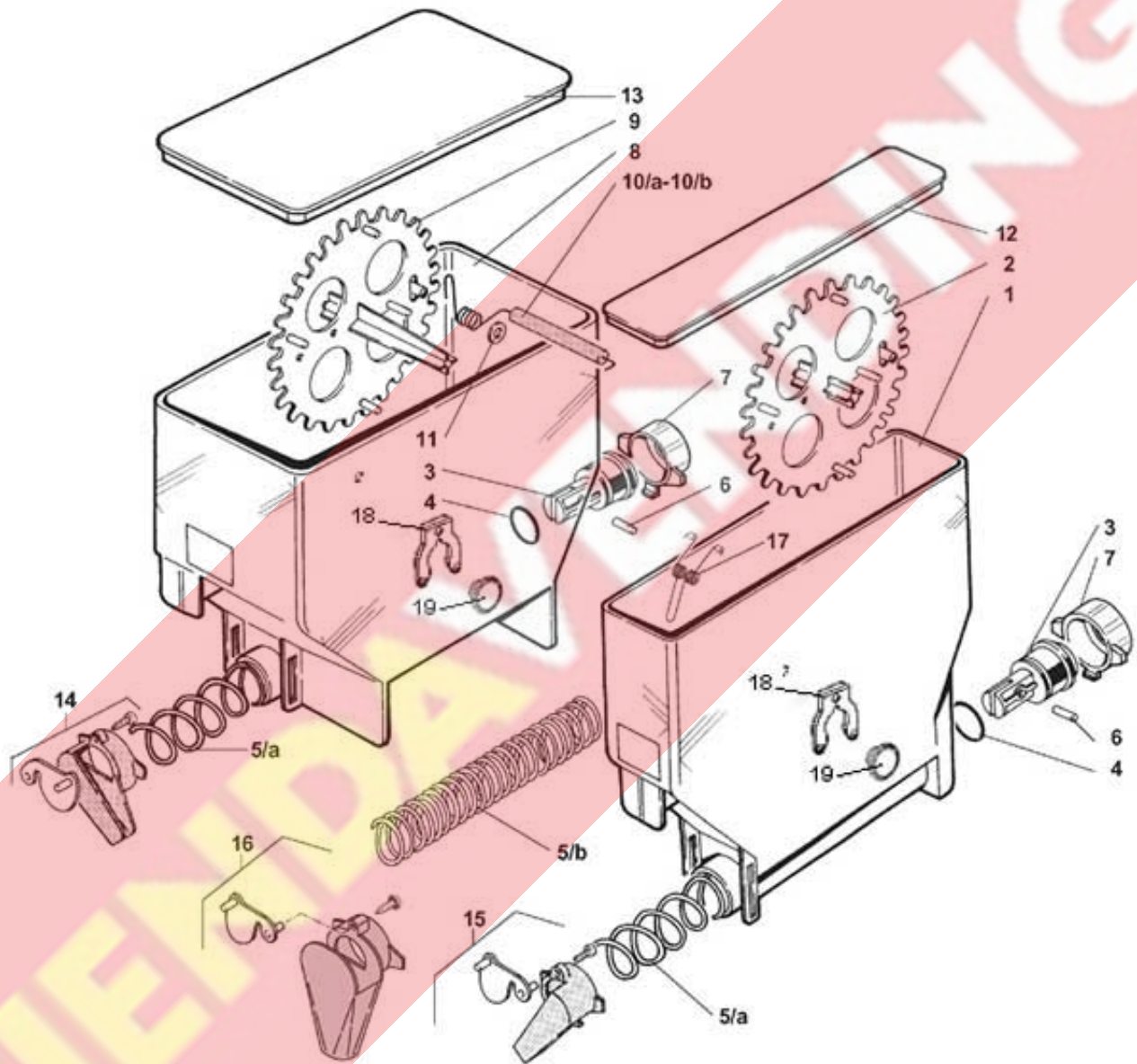
heated micro coffee group		
Pos.	Code	Description
1	Z0250008005R	§ MICRO BREWER COVERS-L.H+R.H
2	Z0250008084	INFUSION CHAMBER CAM-RIGHT
3	Z0250008009	CONNECTING ROD
4	Z0250008028	CONNECTING ROD PIN
5	Z0250008011	RIGHT CRANK
6	Z0250008014	PIN
7	Z0250008042	ANTIVIBRATION WASHER
8	VIT0006515	RING 5
9	Z0250008031	REAR RIGHT GUIDE
10	VIT0002026	SCREW ST HEAD CAP M3.5X6.5
11	Z0250008033	FRONTAL GUIDE
12	Z0250008005R	§ MICRO BREWER COVERS-L.H+R.H
13	Z0250008085	INFUSION CHAMBER CAM-LEFT
14	Z0250008032	REAR LEFT GUIDE
15	Z0250008086	UPPER FILTER SUPPORT
16	Z0250008024	UPPER FILTER SPRING
17	Z0250008087	SPRING COVER PIPE
18	Z0250008226R	§ UPPER COFFEE FILTER D.36 For Coffee beans group D. 36 (From pos.18 to pos.21)
19	Z0250008019	COFFEE FILTER
20	VIT0000121	SCREW COUNT FLAT HEAD M3X8
21	GUA0000080	OR 4112 RED SILICONE LSR70
22	VIT0006513	RING 8
23	Z0250008215R1	BREWER CHAMBER
24	GUA0000065	OR 112 SILICON
25	Z0250008053	LOWER INLET CUP BUSH
26	Z0250008029	FUNNEL PIN
27/a	Z0250008108	LOWER FILTER SHAFT
27/b	Z0250008122	COFFEE FILTER LOW 36
28	Z0250008226	BEARING SUPPORT
29	Z0250008021	BEARING SHAFT
30	Z0250008022	BEARING
31	VIT0006517	RING 3.2
33	Z0250008083	CAM
34	Z0250008016	CAM RIGHT
35	Z0250008017	CAM LEFT
36	Z0250008036	COFFEE FUNNEL
37	VIT0004803	NUT M4
38	Z0250008035	SETTING PLATE
39	VIT0000032	SCREW HEAD TAP CAP M4X8
40	VIT0003309	WASHER4,3X16X1,5
41	VIT0005523	SCREW HEX HEAD REC TAP M4X60
42	VIT0004810	NUT M4
43	VIT0002461	SCREW HEAD TAP M4.2X26
44	Z0250008039CM	MICRO BREWER COVER-L.H RAL9006
44	Z0250008039IC	MICRO BREWER COVER-L.H RAL2011
45	Z0250008048	KEY FOR NUT
46	Z0250008110CL	§ WATER INLET PIPE

heated micro coffee group		
47	Z0250008119	SPRING
48	VIT0003451	SPRING WASHER 4,2
50	Z0250008213R	§ HEATING ELEMENT
51	SCH0006880	HEATING ELEMENT BOARD
52	GUA0000061	OR 2010 VITON 80 BLACK
54	Z0250008076CL	§ COFFEE OUTLET PIPE
100	Z0250008220R	COFFEE BREWER MICRO D.36
101	Z0250008227R	§ BERING SUPPORT (Pos. 28-29-30-31)
102	Z0250008228R	§ LOW.COFFEE FILTER D.36+BEAR.

coffee beans container

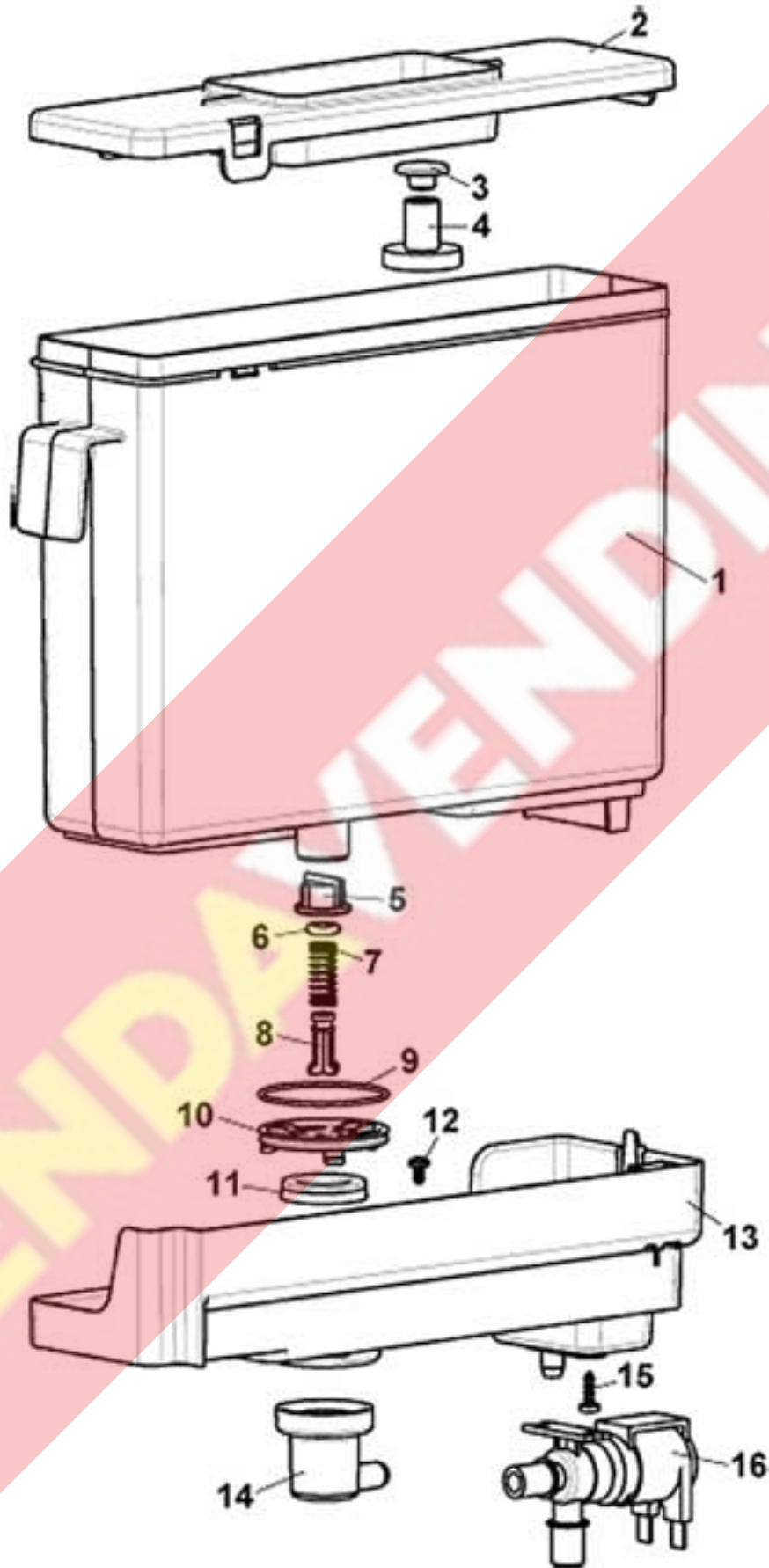


coffee beans container		
Pos.	Code	Description
1	Z0230015217	COFFEE BEANS HOPPER LID
2	Z0230015213	COFFEE BEANS HOPPER
3	Z0230015212	COFFEE BEANS HOPPER HOOK
4	VIT0002009	SCREW ST HEAD CAP M3.5X6.5
5	Z0230015218	BEANS SWITCHING
6	Z0230015207IC	COFFEE BEANS HOPPER STOPPER
7	Z0230015215	COFFEE BEANS HOPPER STOPPER
8	VIT0002101	SCREW COUNT FLAT HEAD M3.5X13
100	Z0230015210CL	§ COFFEE BEANS HOPPER



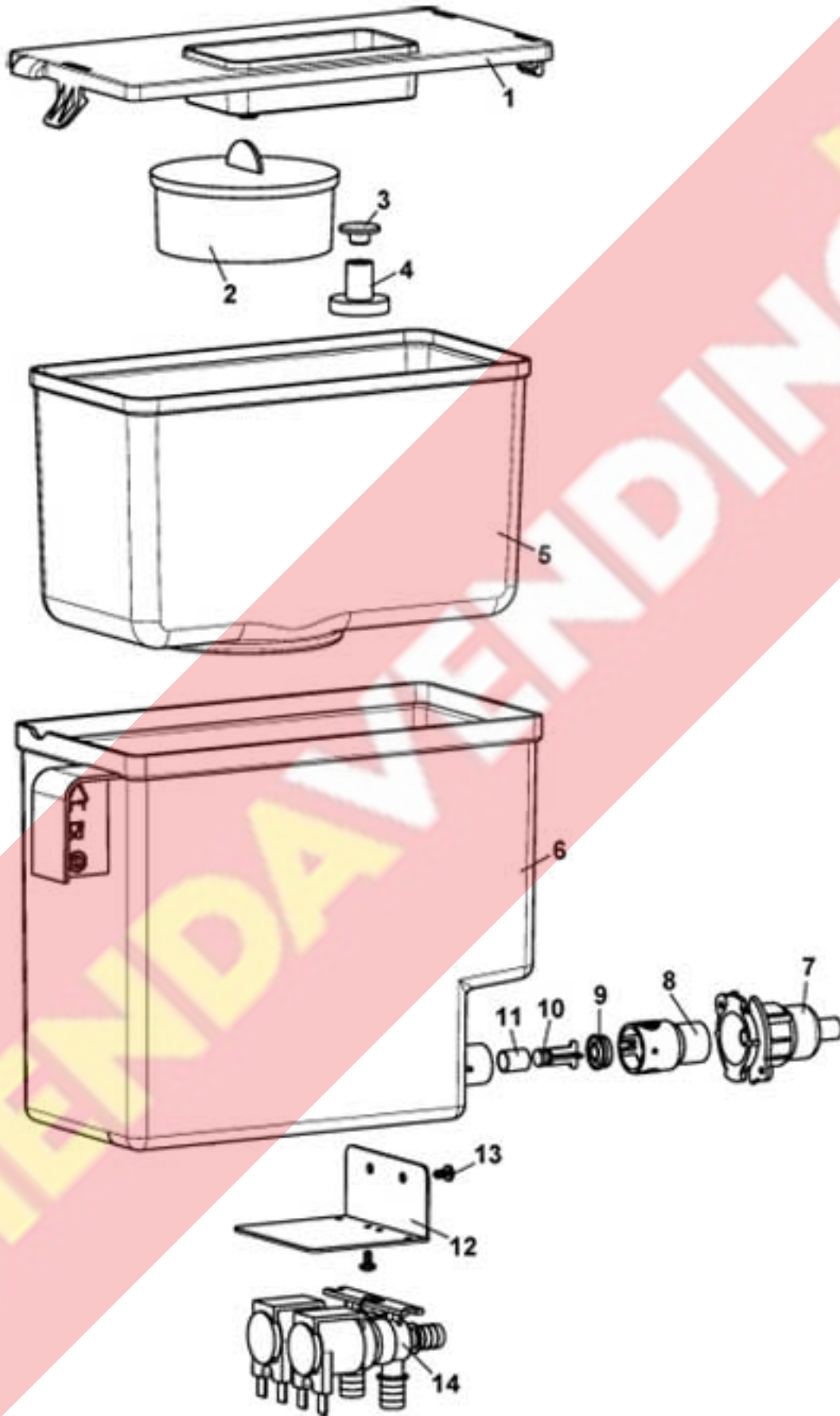
products container		
Pos.	Code	Description
1	Z0230030500	INGREDIENT CANISTER 54 190
2	Z0230030236AB	§ WHEEL MM54
3	Z0230030012	SPIRAL PIN
4	GUA0000083	OR 123 RED SILICONE A70
5/a	Z0230030014	SPIRAL 18
5/b	Z0230030013	SPIRAL 9
6	VIT0005106	PIN 2X14
7	Z0230030011	REAR BUSH
8	Z0230030520	INGREDIENT CANISTER 110-190
9	Z0230030237AB	§ WHEEL MM110
10/a	Z0230030064	AGITATOR 112 - RIGHT OUTLET
10/b	Z0230030062	AGITATOR 112 - LEFT OUTLET
11	VIT0003210	WASHER 8,4X16X1,6
12	Z0230030156	CANISTER 54 LID
13	Z0230030158	CANISTER 110 LID
14/a	Z0230030058R	§ INGRED. CHUTE-RIGHT ORANGE
14/b	Z0230030044R	§ INGREDIENT CHUTE-RIGHT RED
15/a	Z0230030057R	§ INGREDIENT CHUTE-LEFT ORANGE
15/b	Z0230030043R	§ INGREDIENT CHUTE-LEFT RED
16	Z0230030059R	§ INGRED. CHUTE-FRONTALORANGE
17	Z0230030060-05	MIXER
18	Z0230030239	WHEEL PIN FORK
19	Z0230030238-02	WHEEL PIN
100	Z0230030522R	§ CAN. 110-190 AGIT.18 W/LID-R
101	Z0230030525R	§ CAN. 110-190 AGIT.18 W/LID-L
102	Z0230030506R	§ CANIS. 54-190 WHEEL18 W/LID
103	Z0230030502R	§ CANIS. 54-190 WHEEL9 W/LID

h2o tank H

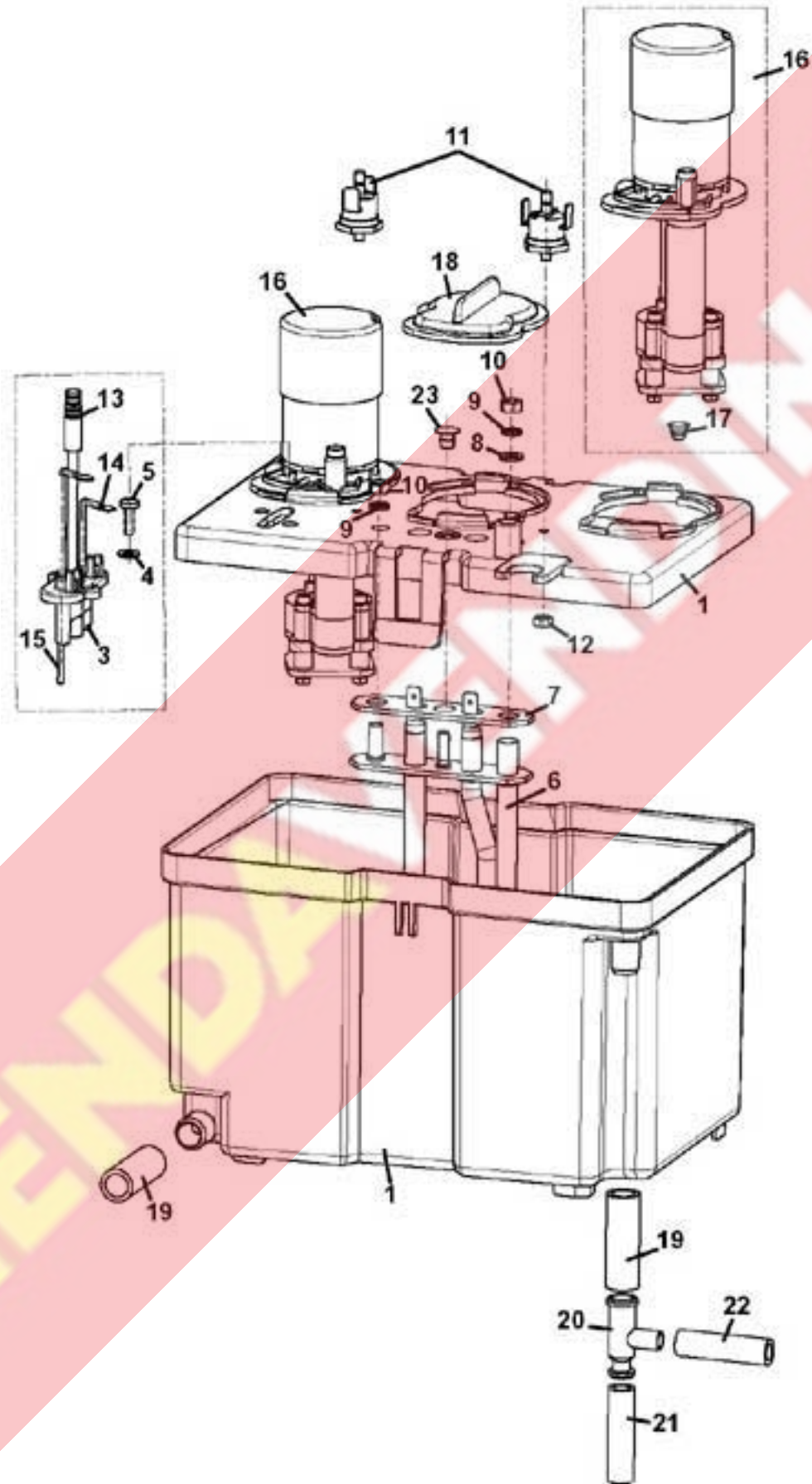


h2o tank H		
Pos.	Code	Description
1	Z0800012506-03	H2O TANK
2	Z0800012507	H2O TANK LID
3	Z0020037045	WASTE FLOAT RAL 9005
4	Z0020037046	WASTE FLOAT RAL 3020
5	Z0110020011	FILTER
6	GUA0000082	SILICON GASKET D.6
7	Z0800012012	PIN SPRING
8	Z0800012009	WATER TANK CLOSING PIN
9	GUA0000046	OR 2137
10	Z0800012515NA	RING GASKET BLACK
11	GUA0002100	SILICON GASKET
12	VIT0002015	SCREW ST HEAD CAP M3.5X9.5
13	Z0800012511	H2O TANK HOLDER
14	Z0800012512	WATER TANK ELBOW CONNECTOR
15	VIT0002469	SCREW HEAD TAP M3.5X10
16	Z0110001103	VALVE 2W 24V DC
100	Z0800012500CL	§ WATER TANK Pos.1+2 from pos.4 to pos. 8
101	Z0800012511CL	§ WATER TANK SUPPORT Pos.9+11 from pos.13 to pos. 16

h2o tank E

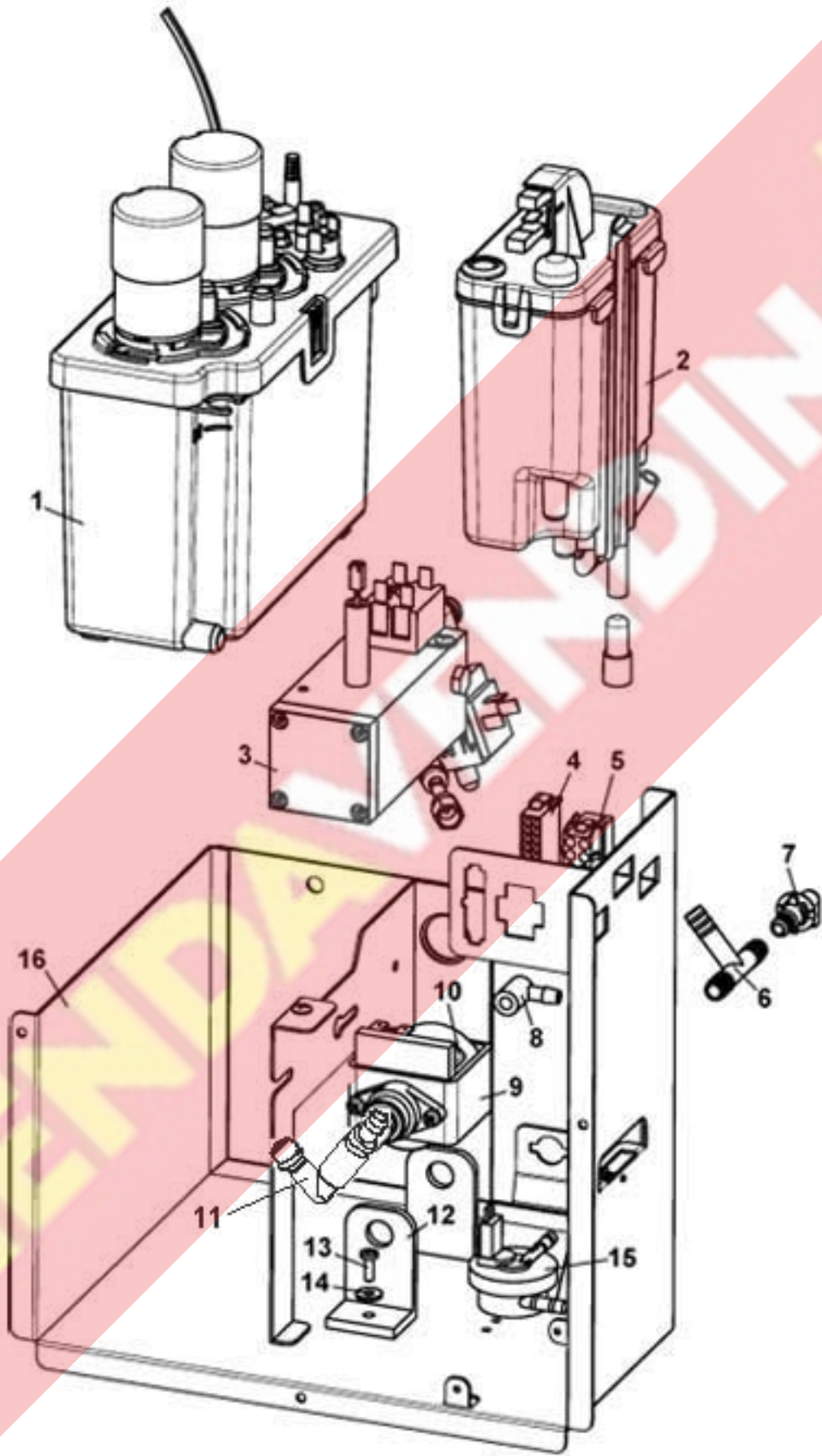


h2o tank E		
Pos.	Code	Description
1	Z0800012025CK	H2O TANK LID RAL 7037
2	Z0060001010	BRITA AQUAAROMA 180/200 FILTER
3	Z0020037045	WASTE FLOAT RAL 9005
4	Z0020037046	WASTE FLOAT RAL 3020
5	Z0800012018	BRITA FILTER SUPPORT
6	Z0800012005PF	WATER TANK
7	Z0800012015	WATER TANK CONNECTOR
8	Z0800012008	TANK HOLDER
9	GUA0002008	SILICON GASKET DE 062
10	Z0800012009	WATER TANK CLOSING PIN
11	Z0800012012	PIN SPRING
12	Z0010027631	2EV SUPPORT RPE
13	VIT0002009	SCREW ST HEAD CAP M3.5X6.5
14	Z0110001103	VALVE 2W 24V DC
100	Z0800012020R	ADAPTOR W/H2O BRITA FILTER KIT Pos.2+5



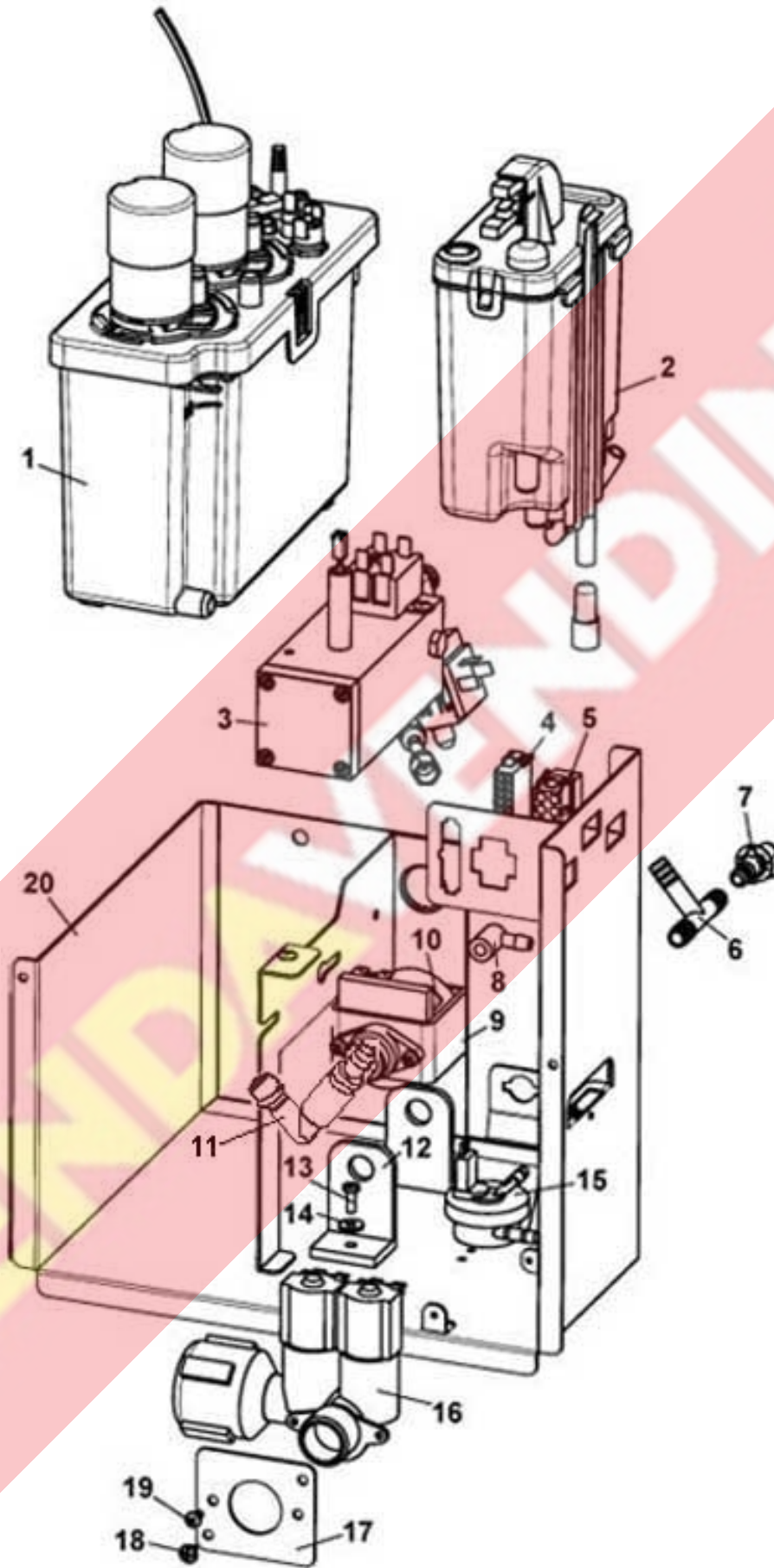
INSTANT BOILER		
Pos.	Code	Description
1	Z0600016401R	§ TANK+BOILER COVER
3	Z0600016089	PROBE SUPPORT
4	VIT0003211	WASHER 4,3X9X0,8
5	VIT0001005	SCREW HEAD TAP CAP M4X12
6	Z0600016137R	§ HEATING ELEMENT 1300W 230V
7	Z0600016084	HEATING ELEMENT GASKET
8	VIT0003203	WASHER 5,3X10X1
9	VIT0003111	SPRING WASHER 5,3
10	VIT0004804	NUT M5
11	ELE0000965	CLIXSON 88°
12	VIT0004816	NUT M4
13	ELE0000963R	§ TEMPERATURE PROBE+SENSOR
14	Z0600016054	MAXIMUM LEVEL PROBE
15	VIT0002469	SCREW HEAD TAP M3.5X10
15	Z0600016053	MINIMUM LEVEL PROBE
16	Z0600016405R	§ BOILER PUMP
17	Z0080100102	MIXER SHAFT GASKET
18	Z0600016422	PUMP LID
19/a	TSIL10/14T-10	SILICON HOSE 10X14 MT.10
19/b	TSIL10/14T-50	SILICON HOSE 10X14 MT.50
20	Z0600016028	T CONNECTOR
21/a	TSIL06/11T-10	SILICON HOSE 6X11 MT.10
21/b	TSIL06/11T-50	SILICON HOSE 6X11 MT.50
22/a	TSIL06/09T-10	SILICON HOSE 6X9 MT.10
22/b	TSIL06/09T-50	SILICON HOSE 6X9 MT.50
23	Z0230030154	PLUG
100	Z0600016400CL1	§ BOILER 230V
101	Z0600016420CL1	§ BOILER 3PUMP 230V

Hydic components support A.A.

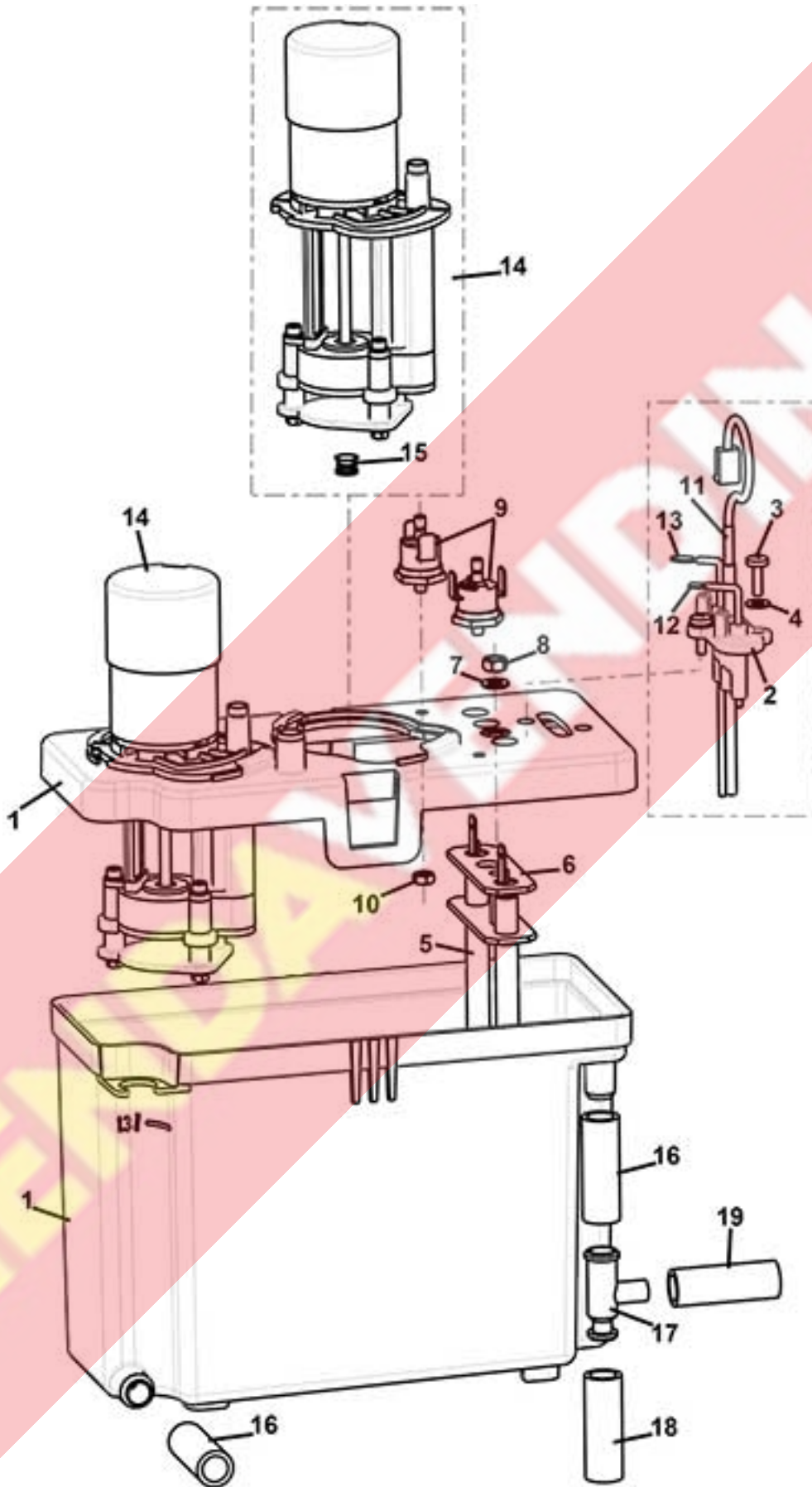


Hydic components support A.A.		
Pos.	Code	Description
1		See table ESPRESSO BOILER
2		See table water inlet panel A.A.
3		See table FLASH ITER
4	CBLXX00044	ACTUATOR WIRING 24V
5	CBLXX00045	ACTUATOR WIRING 230V
6	Z0100003023	T CONNECTOR 462 TS UL
7	Z0080100084	90° CONNECTOR
8	Z0110004023	CONNECTOR
9	Z0110004041	PUMP EX5 230V-50HZ
10	ELE0000915	PUMP THERMOPROTECTOR
11/a	Z0110004070	BY PASS VALVE 11 BAR For Coffee beans group D. 36
11/b	Z0110004060	BY PASS VALVE 8 BAR For Coffee beans group D. 40
12	Z0110004022	SUPPORT
13	VIT0000013	SCREW HEAD TAP CAP M4X12
14	VIT0003301	WASHER 4,3X12X1,5
15	Z0110007003	VOLUMETRIC COUNTER
16	Z0010027617CM	HYDRAULIC COMPONENT SUP R.9006
100	Z0010027616CL0	§ HYDRAULIC COMPONENT STD_1 AA
101	Z0010027616CL2	§ HYDRAULIC COMPONENT MM_1 AA

Hydic components support A.R.

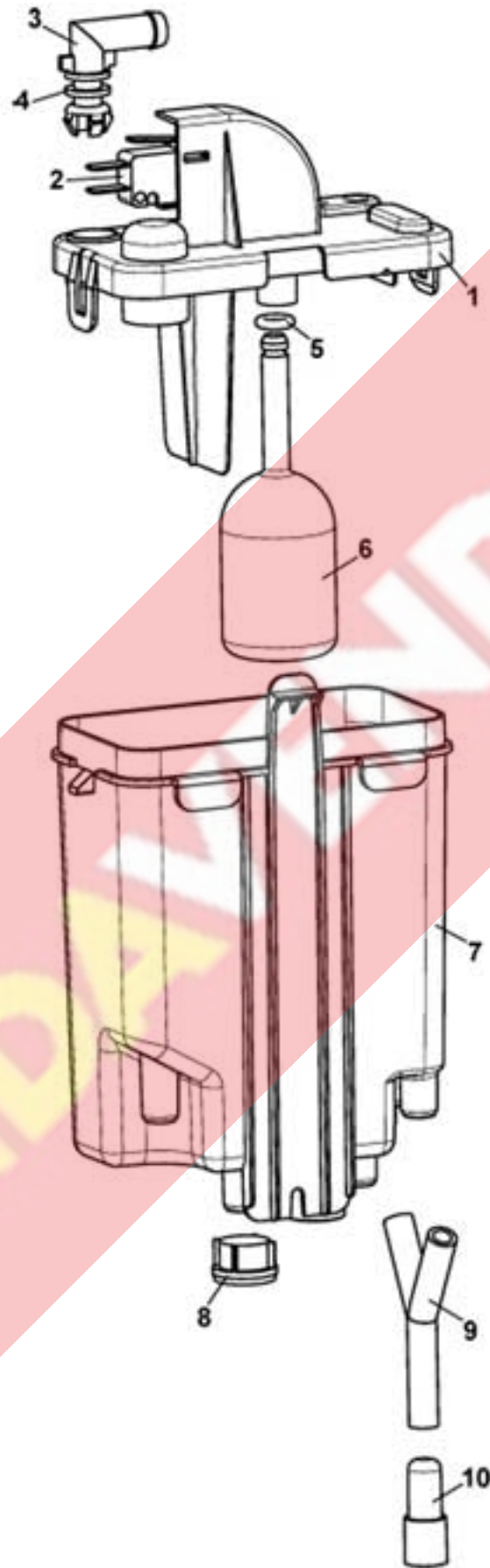


Hydic components support A.R.		
Pos.	Code	Description
1		See table ESPRESSO BOILER
2		See table water inlet panel A.R.
3		See table FLASH ITER
4	CBLXX00044	ACTUATOR WIRING 24V
5	CBLXX00045	ACTUATOR WIRING 230V
6	Z0100003022	T CONNECTOR 461 TS UL
7	Z0080100084	90° CONNECTOR
8	Z0110004023	CONNECTOR
9	Z0110004041	PUMP EX5 230V-50HZ
10	ELE0000915	PUMP THERMOPROTECTOR
11/a	Z0110004070	BY PASS VALVE 11 BAR For Coffee beans group D. 36
11/b	Z0110004060	BY PASS VALVE 8 BAR For Coffee beans group D. 40
12	Z0110004022	SUPPORT
13	VIT0000013	SCREW HEAD TAP CAP M4X12
14	VIT0003301	WASHER 4,3X12X1,5
15	Z0110007003	VOLUMETRIC COUNTER
16	Z0110001109	INLET WATER VALVE 2W 24V DC
17	Z0010027620	INLET VALVE SUPPORT
18	VIT0002401	SCREW ST HEAD CAP M3.5X9.5
19	VIT0002005	SCREW ST HEAD CAP M3.9X9.5
20	Z0010027617CM	HYDRAULIC COMPONENT SUP R.9006
100	Z0010027615CL0	§ HYDRAULIC COMPONENT STD_1 AR
101	Z0010027615CL2	§ HYDRAULIC COMPONENT MM_1 AR
102	Z0110004041CL5	§ PUMP EX5 230VAC+BY PASS



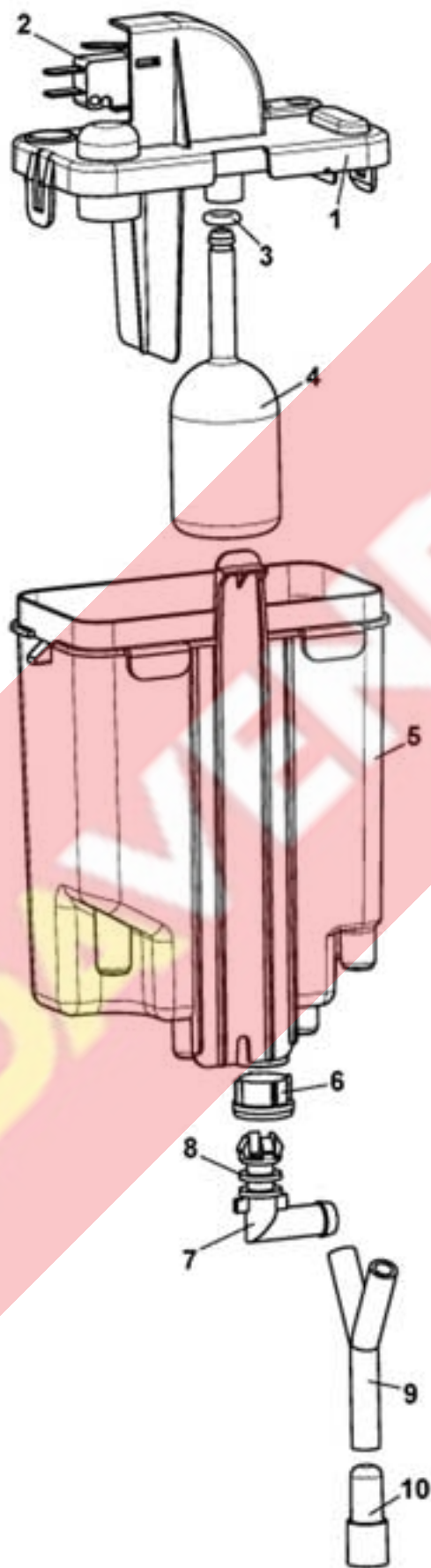
ESPRESSO BOILER		
Pos.	Code	Description
1	Z0600016453R	§ TANK+BOILER COVER
2	Z0600016089	PROBE SUPPORT
3	VIT0000038	SCREW HEAD TAP CAP M4X10
4	VIT0003211	WASHER 4,3X9X0,8
5	Z0600016479R	HEATING ELEMENT 1300W 230V
6	Z0600016468	HEATING ELEMENT GASKET
7	VIT0003203	WASHER 5,3X10X1
8	VIT0004804	NUT M5
9	ELE0000965	CLIXSON 88°
10	VIT0004816	NUT M4
11	ELE0000963R	§ TEMPERATURE PROBE+SENSOR
12	Z0600016054	MAXIMUM LEVEL PROBE
13	Z0600016053	MINIMUM LEVEL PROBE
14	Z0600016405R	§ BOILER PUMP
15	Z0080100102	MIXER SHAFT GASKET
16/a	TSIL10/14T-10	SILICON HOSE 10X14 MT.10
16/b	TSIL10/14T-50	SILICON HOSE 10X14 MT.50
17	Z0600016028	T CONNECTOR
18/a	TSIL07/11T-10	SILICON HOSE 7X11 MT.10
18/b	TSIL07/11T-50	SILICON HOSE 7X11 MT.50
19/a	TSIL05/08T-10	SILICON HOSE 5X8 MT.10
19/b	TSIL05/08T-50	SILICON HOSE 5X8 MT.50
20	Z0600016450R	§ BOILER 2PUMP 230V

water inlet panel A.A.

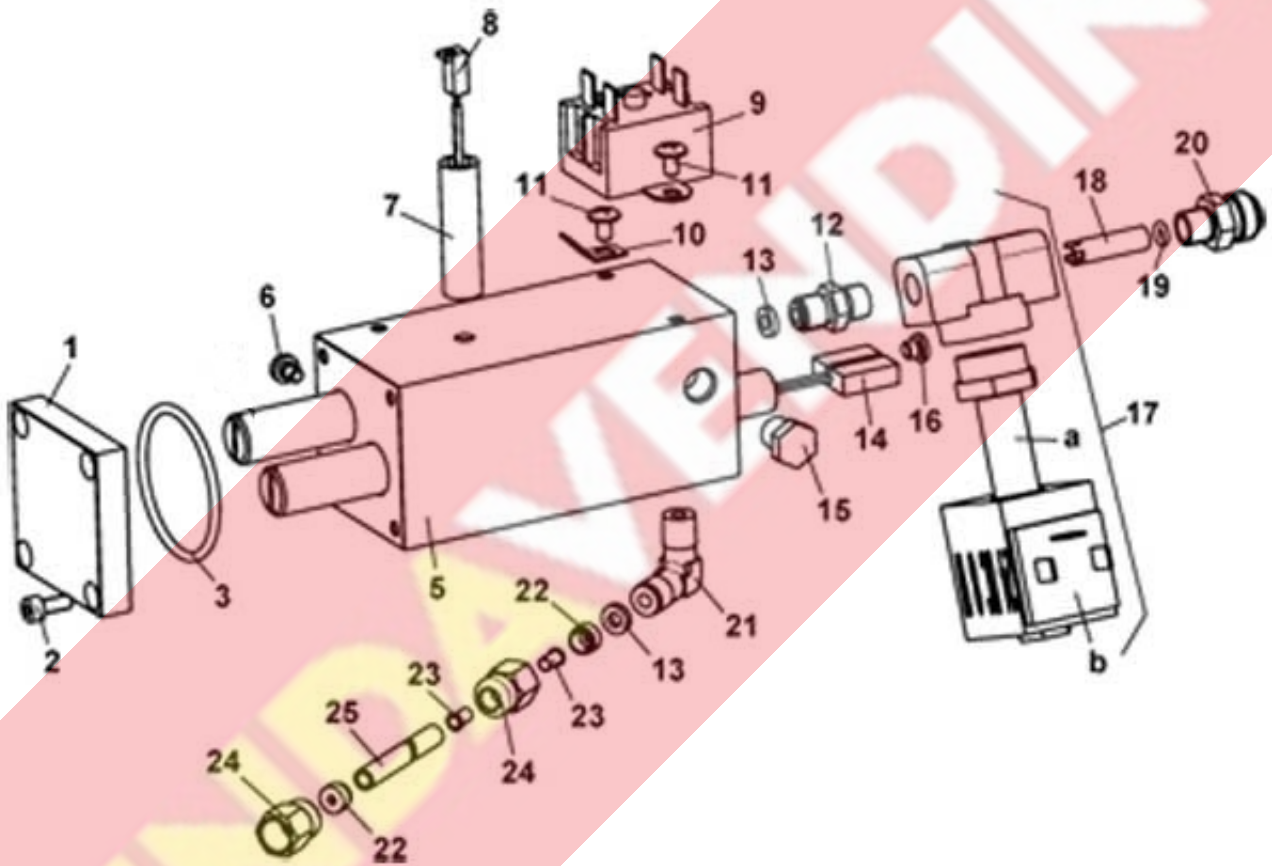


water inlet panel A.A.		
Pos.	Code	Description
1	Z0800013043	AIR BREAK COVER
2	ELE0001514	MICROSWITCH 3A 125-250VA
3	Z0800009211	ELBOW CONNECTOR
4	GUA0000043	OR 109 NBR AL 75 BLACK
5	GUA0000082	SILICON GASKET D.6
6	Z0800013046	AIR BREAK WASTE FLOAT
7	Z0800013041	AIR BREAK TANK
8	Z0110020007	PLASTIC FILTER DIAM. 20
9	Z0100001065	CONNECTOR "Y"
10	650001057	DRAINER PLUG
100	Z0800013040CL	AIR BREAK

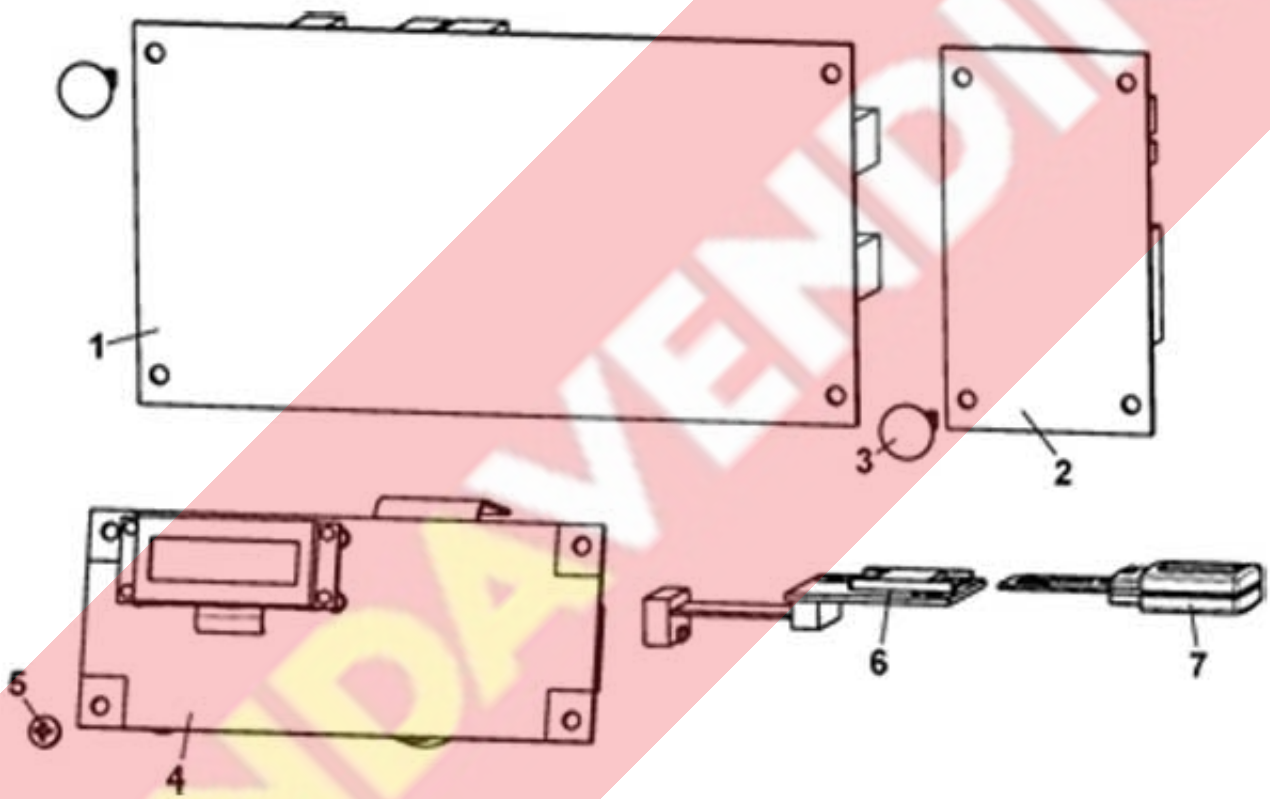
water inlet panel A.R.



water inlet panel A.R.		
Pos.	Code	Description
1	Z0800013043	AIR BREAK COVER
2	ELE0001514	MICROSWITCH 3A 125-250VA
3	GUA0000082	SILICON GASKET D.6
4	Z0800013046	AIR BREAK WASTE FLOAT
5	Z0800013041	AIR BREAK TANK
6	Z0110020007	PLASTIC FILTER DIAM. 20
7	Z0800009211	ELBOW CONNECTOR
8	GUA0000043	OR 109 NBR AL 75 BLACK
9	Z0100001065	CONNECTOR "Y"
10	650001057	DRAINER PLUG
100	Z0800013040CL1	AIR BREAK A.R.

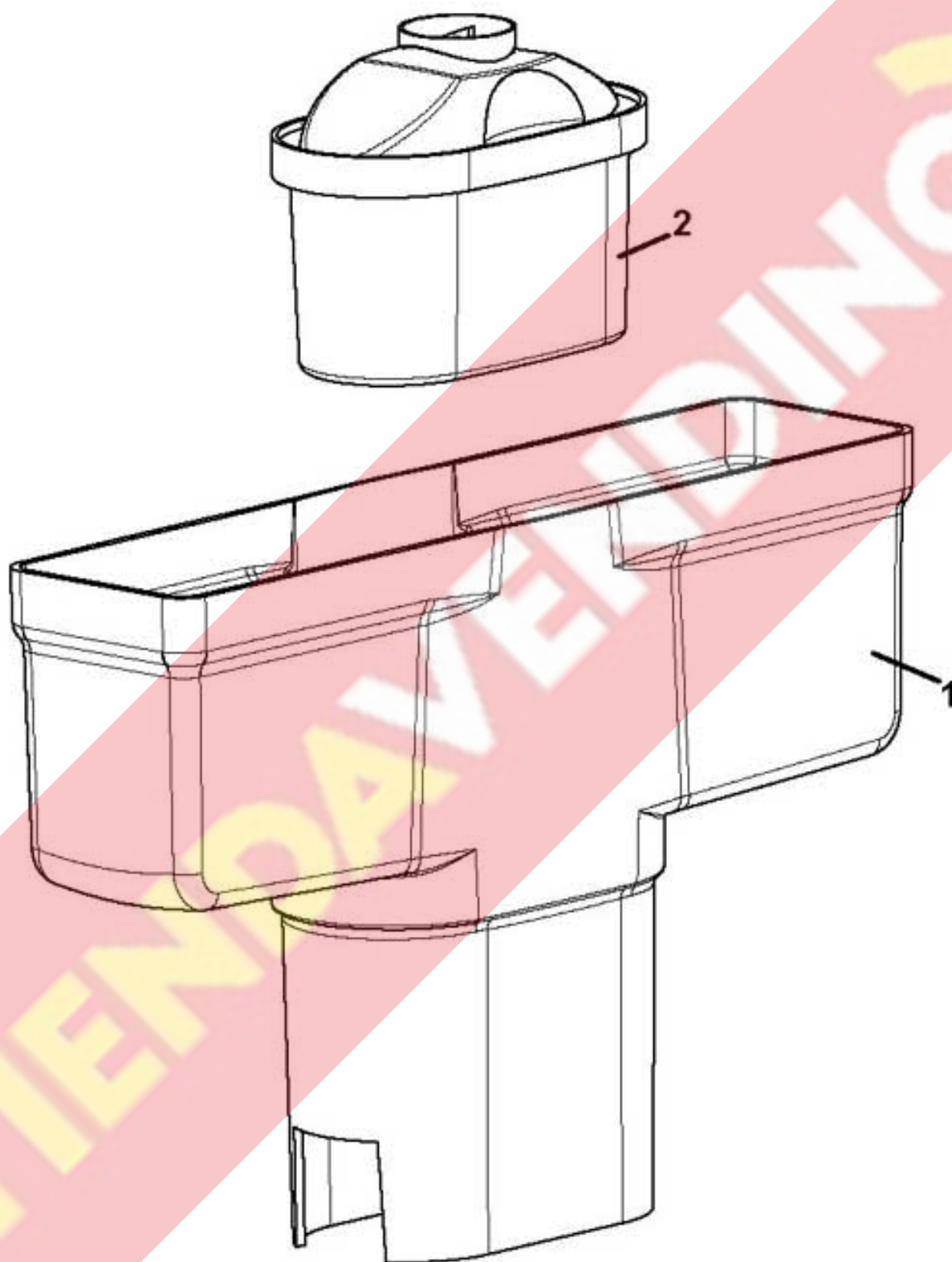


FLASH ITER		
Pos.	Code	Description
1	Z0600019162	HEAT EXCHANGER FLANGE
2	VIT0005511	SCREW HEX HEAD REC TAP M4X10
3	GUA0000099	OR 3162 VITON 80 BLACK
5	Z0600019163	HEAT EXCHANGE
6	4060010126	PAYM SYSTEM FIXING SCREW
7/a	TSIL07/11T-10	SILICON HOSE 7X11 MT.10
7/b	TSIL07/11T-50	SILICON HOSE 7X11 MT.50
8	ELE0000930	PROBE
9	ELE0000931	THERMOSTAT 150 °C
10	Z0600019012	GROUND WIRING
11	VIT0000030	SCREW HEAD TAP CAP M4X7
12	Z0100001017	STRAIGHT CONNECT SO1100-6-1/8
13	Z0100003002	COPPER GASKET SO5-5-1/8
14	Z0600019157	HEATING ELEMENT 700 W 230 V
15	4600020115	PLUG
16	Z0100001078	PLUG
17	Z0110001072	VALVE 3W 1/8 24DC O
17/a	Z0110010035	VALVE 3W SLEEVE
17/b	Z0110010065	COIL 8 W 24 DC
18	Z0110003122	SPACER OR
19	GUA0000069	OR 2015 VITON 80 BLACK
20	Z0110003121	STRAIGHT CONNECTOR
21	Z0100001019	ELBOW CONNECTOR SO2400-6-1/8
22	Z0100002002	LOCKING RING SO1-6
23	Z0100002005	NUT D.4
24	Z0100001002	CONNECTOR NUT
25	TTEF04/06T	PTFE PIPE 4X6



control and power logic		
Pos.	Code	Description
1	SCH0008042-01	CPU/POWER BOARD
2	SCH0006620	CPU BOARD Only for Espresso versions
3	ELE0062020	BOARD SUPPORT
4/a	SCH0007640	DISPLAY BOARD
4/b	SCH0008320	CYRILLIC DISPLAY BOARD
5	VIT0002009	SCREW ST HEAD CAP M3.5X6.5
6	SCH0005860	FLASH BOARD
7	Z0020040310CL/1	RHEA FLASH MEMORY

BRITA FILTER



BRITA FILTER		
Pos.	Code	Description
1	Z0800012522	BRITA MAXTRA 2020 FILTER SUPP.
2	Z0060001014	BRITA FILTER MAXTRA +
3	Z0800012513R1	ADAPTOR W/MAXT BRITA+FLTER KIT (Pos.1 + 2)

TIENDA VENDING