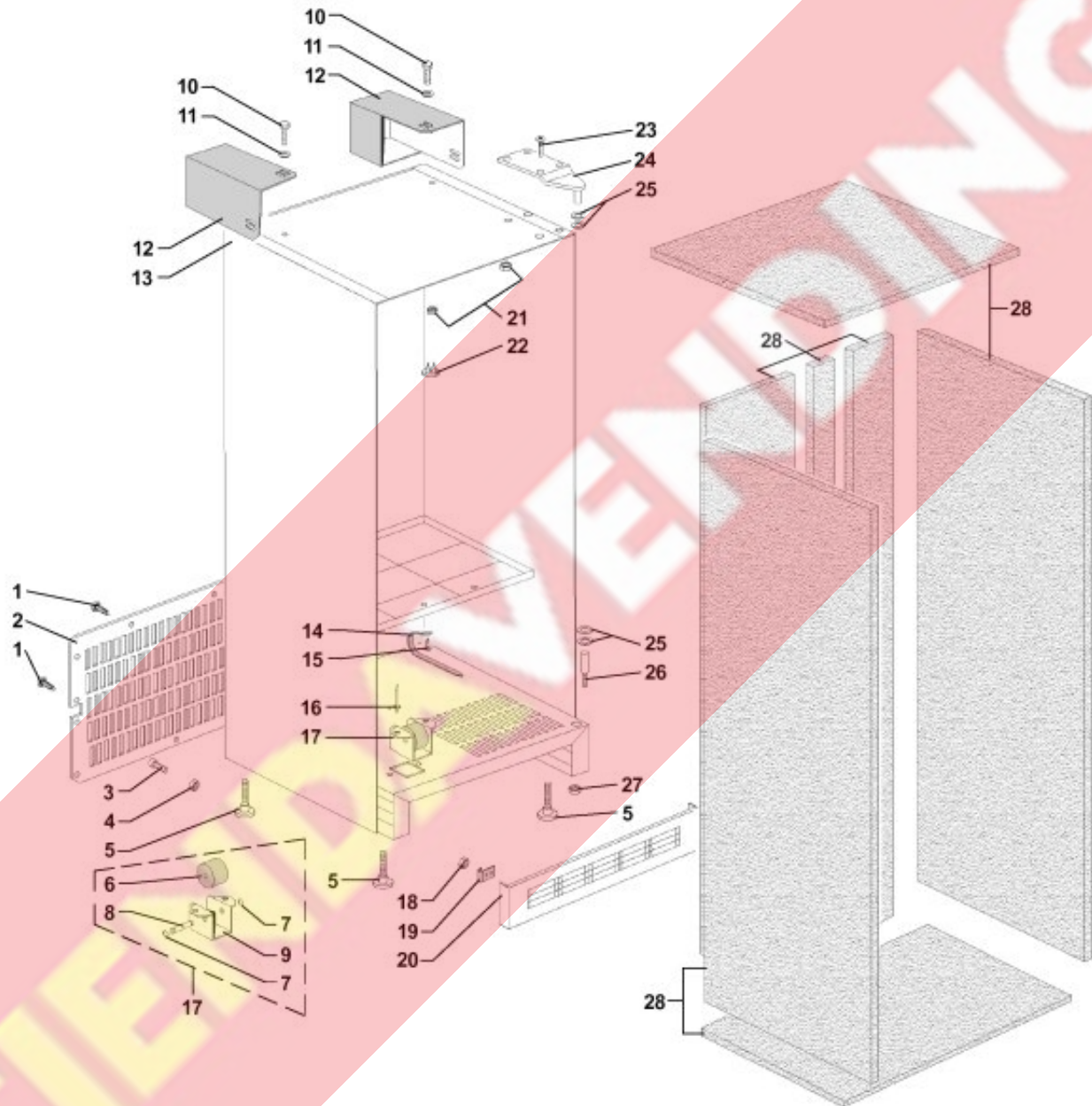


vending machine

file immagini/ricambi/copertine/eta beta.jpg NOT exists!!!!!!

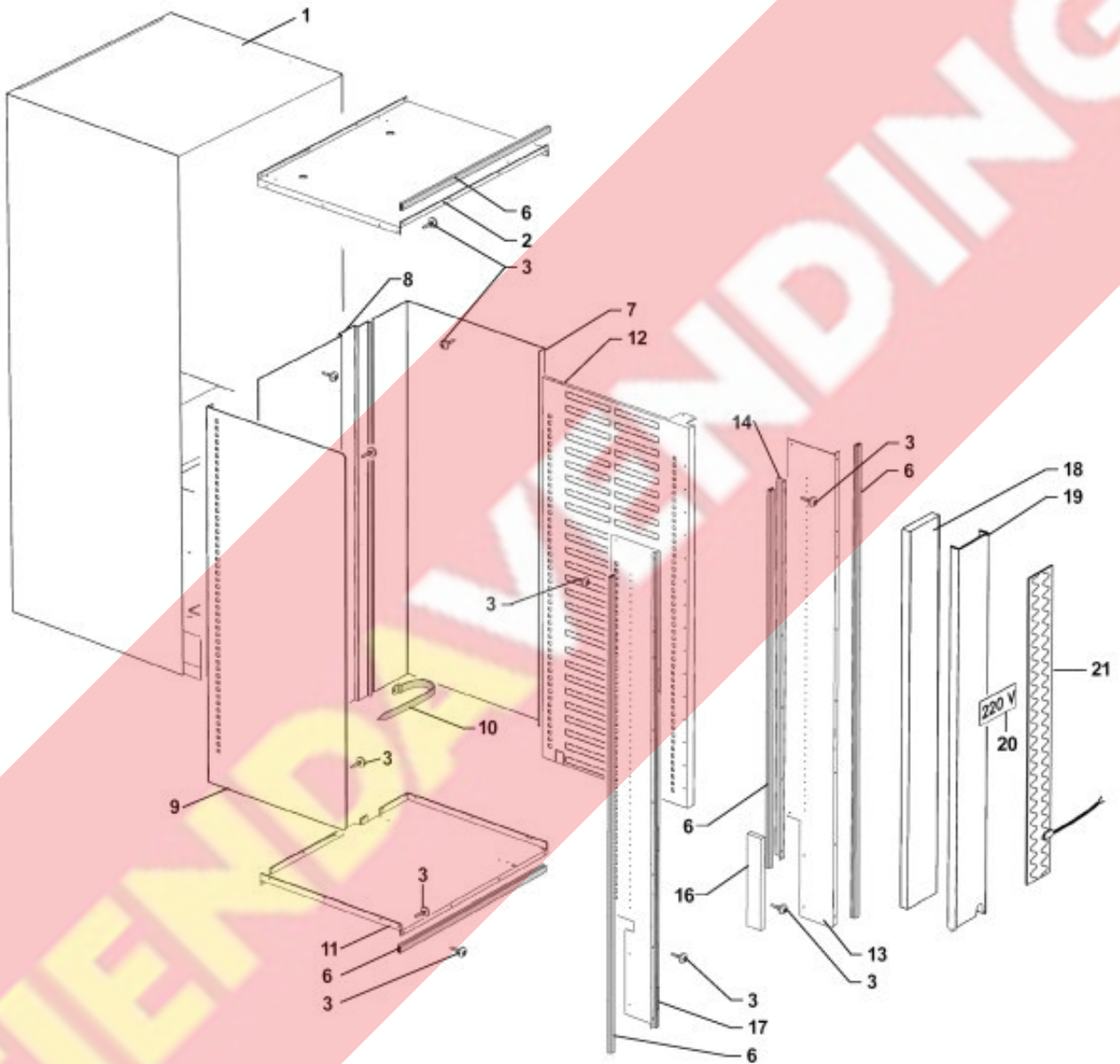
spare parts manual

Cabinet unit



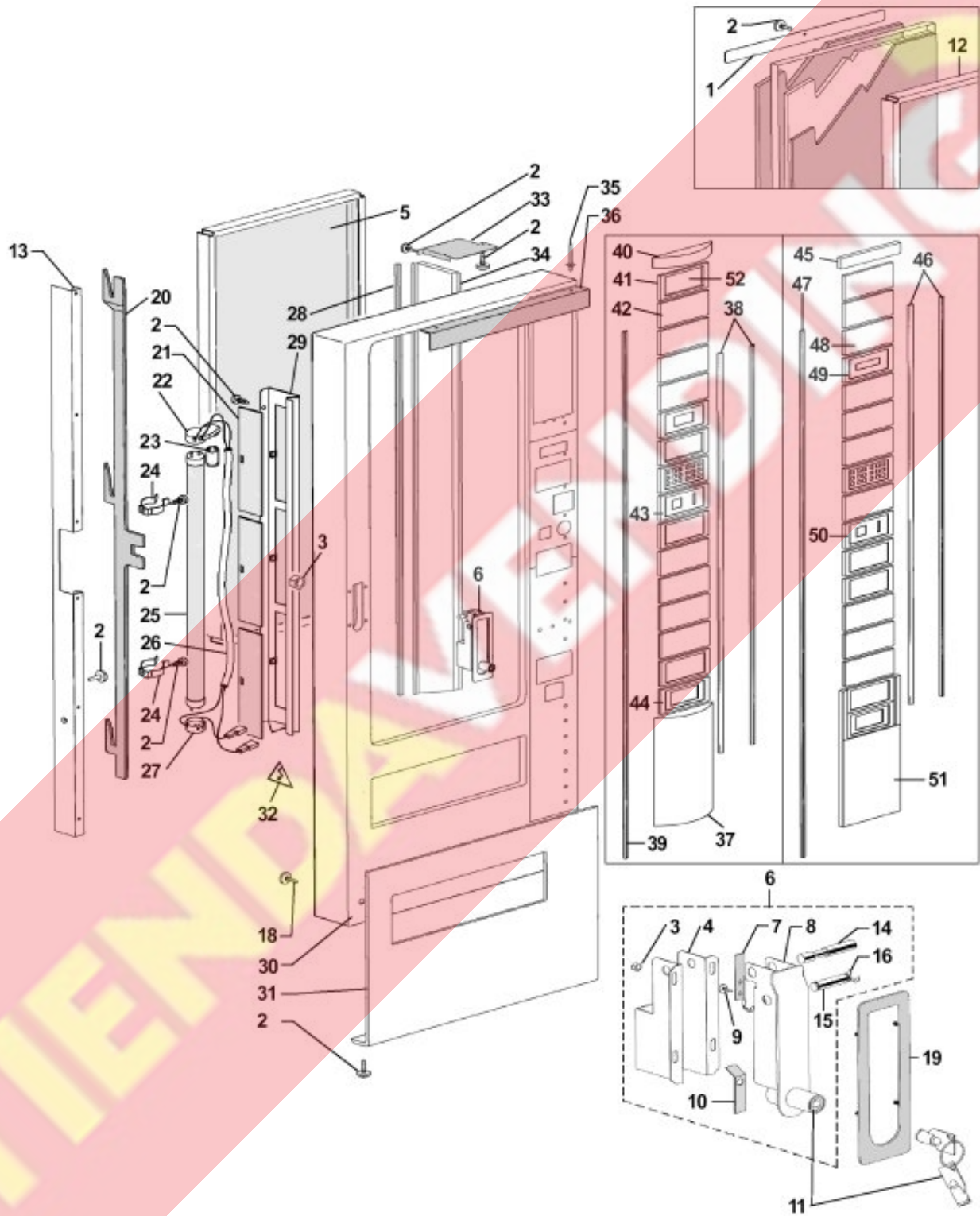
Cabinet unit		
Pos.	Code	Description
1	Z00035009	Self-tapping screw wide head 3,9 x 9,5
2	61500007	Rear EB grid
3	Z00034022	Screw TE 4 x 25
4	Z00031010	Flanged nut M4
5	Z0010013208	MACHINE FOOT
6	Z00041002	Nylon wheel Sh door support
7	Z00033003	D.7 radial
8	Z00040059	8x32 pin
9	75100012	Support for wheel Sh door
10	Z00034033	TE 6 x 25 Screw
11	Z00032010	Washer D. 6 x 18
12	61500025	Wall-mounting bracket
13	61500012	EB cabinet frame
14	Z00011007	Reopenable clamp SSC2S-S6-C
15	Z00035009	Self-tapping screw wide head 3,9 x 9,5
16	Z00013006	Aluminium rivet 3,8 x 10
17	75100034	Complete support for door with wheel
18	Z00031010	Flanged nut M4
19	61500010	Hook for EB skirting
20	61500009	EB cabinet front skirting
21	Z00031052	D. 6 self-tapping Nut
22	Z00015071	Internal hole covering cup
23	Z00034047	TPSCE 6 x 25 Screw
24	61500008	EB door upper hinge
25	Z00032012	Brass washer D.8
26	61500060	Lower EB door hinge pivot
27	Z00031008	Flanged nut M6
28	Z00012001	Expanded polyurethane insulating (sqmt)

Cabinet interior



Cabinet interior		
Pos.	Code	Description
1	H61500012	
2	H61560002	
3	Z00035009	Self-tapping screw wide head 3,9 x 9,5
6	H61500021	CABINET GASKET
7	H61403003	
8	H61563003	
9	H61563004	
10	Z00011007	Reopenable clamp SSC2S-S6-C
11	H61560001	
12	H61403006	
13	H61553002	
14	H61553011	
16	Z00012010	Veolene thickness 10 x 155 (mt)
17	H61550001	
18	H61570005	
19		COMPONENT NO MORE SOLD
20	Z00011006	230V symbol PES-C-230V
21	H61570011	HEATING ELEMENT

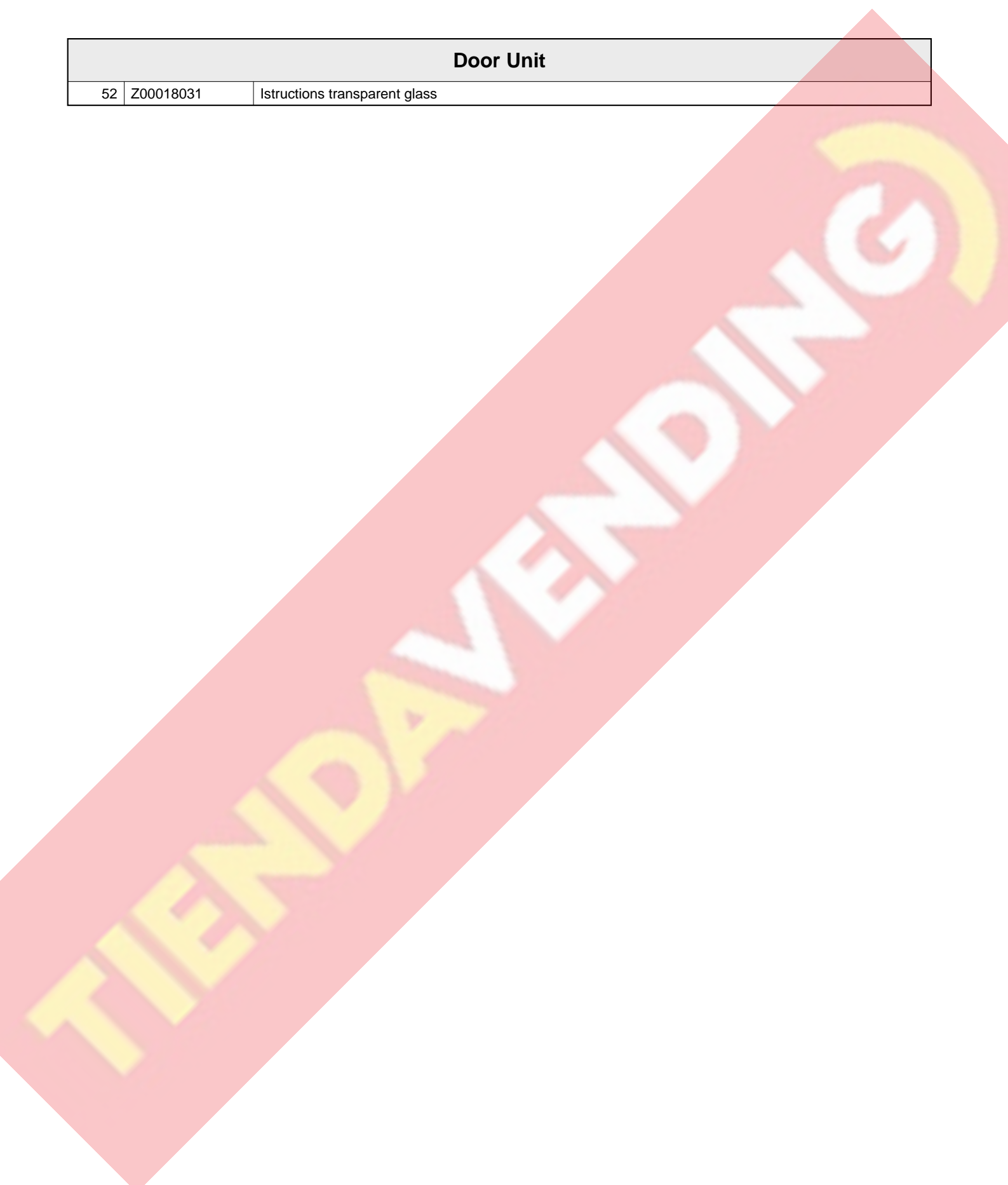
Door Unit



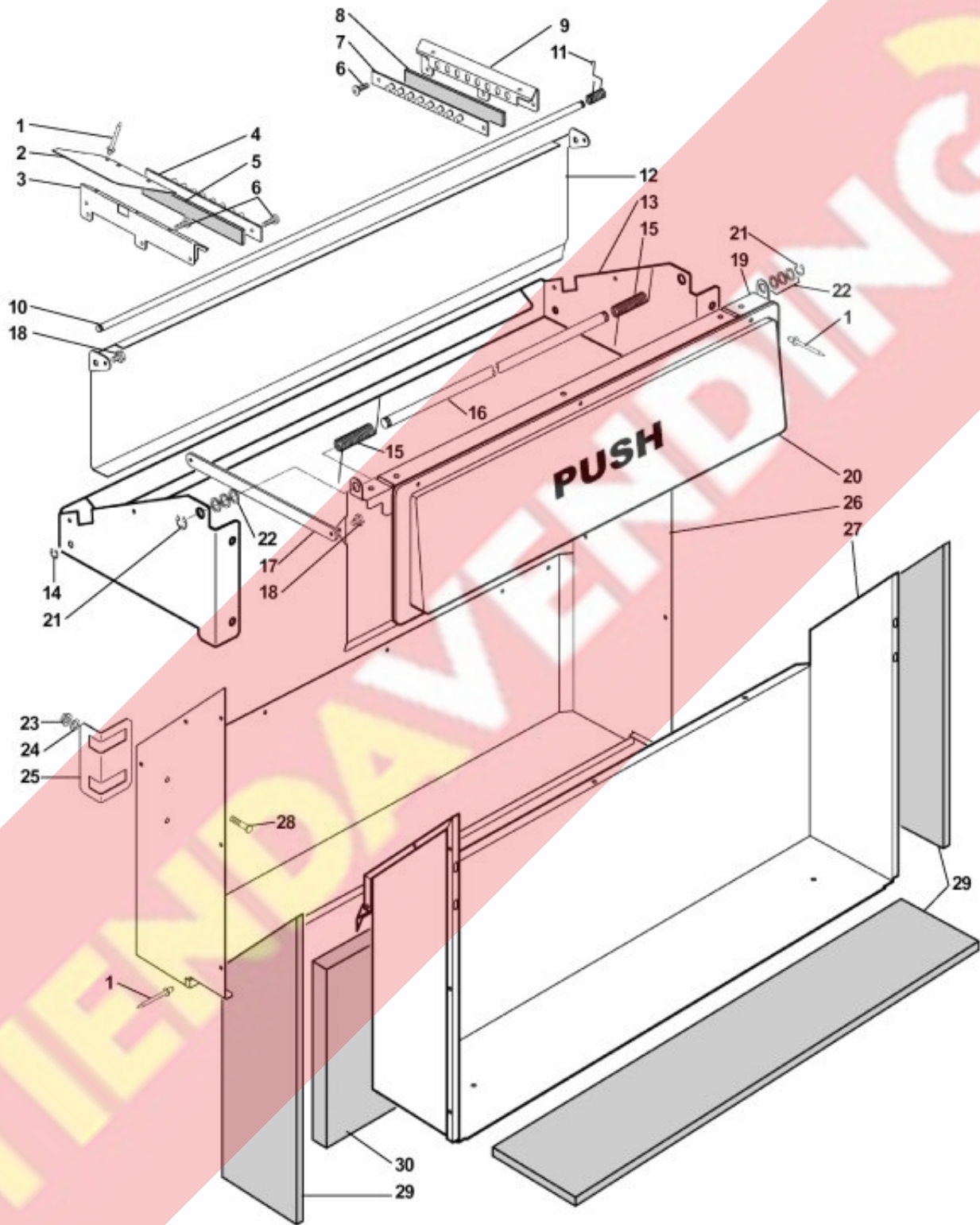
Door Unit		
Pos.	Code	Description
1	61101002	EB horizontal glass stopper
2	Z00035009	Self-tapping screw wide head 3,9 x 9,5
3	Z00031011	Flanged M5 nut
4	75130003	Door handle interior frame Sh-EB
5/a	61101001	EB double glazed glass-case
5/b	61101021	EB-Pro double glazed glass-case
6	75130001	Door handle for Sh-EB series
7	75130008	Stop for Sh-EB handle
8	75130002	Sh-EB external handle frame
9	Z00035002	TC+ 3,9 x 9,5 self-tapping screw
10	61130001	Handle pin fastener
11	13130001	Lock pin
12	61101008	Complete EB glass-case seal
13	61100021	Right hand longitudinal member EB
14	Z00040068	Carillon pin 8 x 45
15	Z00040059	8x32 pin
16	Z00033003	D.7 radial
18	Z00035009	Self-tapping screw wide head 3,9 x 9,5
19	71130001	Frame for Sh-EB handle
20	61130006	EB handle carillon
21	61101026	EB/EP8 neon lamp glass cover
22	61511002	EB/EP8/EM8S neon starter head
23	Z00028005	Starter for neon
24	61511003	Spring clips for EB/EP8/EM8S neon
25	12100004	36W neon lamp
26	61153011	EB neon wiring harness part 2 heads
27	61511001	Head for EB/EP8/EM8S neon
28	Z00012005	Insulator 4 x 10 (per mt)
29	61101025	EB lamp glass cover fastener
30	61103003	EB Door frame
31	61103028	EB Lower door aesthetic protection
32	Z00011004	Small yellow 'Voltage' sticker
33	61103051	EB upper door reinforcing triangle
34/a	61103042	EB Vertical door separator
34/b	61103043	EB-Pro Vertical door separator
35	Z00013003	Aluminium rivet 2,9 x 9
36	61100024	EBR Upper door aesthetic protection
37	13119015	EBR Lower support
38	13119016	Rh Aesthetic profile h=1227
39	75101089	Rh Aesthetic profile h=1660
40	13119014	EBR Upper support
41	Z0020026342CA	INSTRUCTION MODULE 153147
41	Z0020026342CB	INSTRUCTION MODULE 153155
41	Z0020026342CF	INSTRUCTION MODULE RAL 7016
41	Z0020026342CG	INSTRUCTION MODULE RAL 7035
41	Z0020026342CI	INSTRUCTION MODULE RAL 7042
41	Z0020026342CK	INSTRUCTION MODULE RAL 7037

Door Unit		
41	Z0020026342CM	INSTRUCTION MODULE RAL 9006
41	Z0020026342CS	INSTRUCTION MODULE 237
41	Z0020026342NA	INSTRUCTION MODULE RAL 9005
42	Z0020026341CA	MODULE 153147
42	Z0020026341CB	MODULE 153155
42	Z0020026341CF	MODULE RAL 7016
42	Z0020026341CG	MODULE RAL 7035
42	Z0020026341CI	MODULE RAL 7042
42	Z0020026341CK	MODULE RAL 7037
42	Z0020026341CM	MODULE RAL 9006
42	Z0020026341CS	MODULE 237
42	Z0020026341NA	MODULE RAL 9005
43	Z0020026341CA	MODULE 153147
43	Z0020026341CB	MODULE 153155
43	Z0020026341CF	MODULE RAL 7016
43	Z0020026341CG	MODULE RAL 7035
43	Z0020026341CI	MODULE RAL 7042
43	Z0020026341CK	MODULE RAL 7037
43	Z0020026341CM	MODULE RAL 9006
43	Z0020026341CS	MODULE 237
43	Z0020026341NA	MODULE RAL 9005
44	Z00018004	Coin return aesthetic module
45	61109014	Rh Luce Upper support
46	61109016	Rh Luce Aesthetic profile h=1150
47	61109017	Rh Luce Aesthetic profile h=1660
48	Z0020026341CA	MODULE 153147
48	Z0020026341CB	MODULE 153155
48	Z0020026341CF	MODULE RAL 7016
48	Z0020026341CG	MODULE RAL 7035
48	Z0020026341CI	MODULE RAL 7042
48	Z0020026341CK	MODULE RAL 7037
48	Z0020026341CM	MODULE RAL 9006
48	Z0020026341CS	MODULE 237
48	Z0020026341NA	MODULE RAL 9005
49	Z0020034106CF	DISPLAY PLEXIGLASS RAL7016
49	Z0020034106CG	DISPLAY PLEXIGLASS RAL7035
49	Z0020034106CK	DISPLAY PLEXIGLASS RAL7037
49	Z0020034106CM	DISPLAY PLEXIGLASS RAL9006
49	Z0020034106CN	DISPLAY PLEXIGLASS RAL7032
49	Z0020034106NA	DISPLAY PLEXIGLASS BLACK
50	Z0020026341CA	MODULE 153147
50	Z0020026341CB	MODULE 153155
50	Z0020026341CF	MODULE RAL 7016
50	Z0020026341CG	MODULE RAL 7035
50	Z0020026341CI	MODULE RAL 7042
50	Z0020026341CK	MODULE RAL 7037
50	Z0020026341CS	MODULE 237
50	Z0020026341NA	MODULE RAL 9005
51	Z0020034279NA	LOWER FR. MODULE PANEL BLACK

Door Unit		
52	Z00018031	Istructions transparent glass

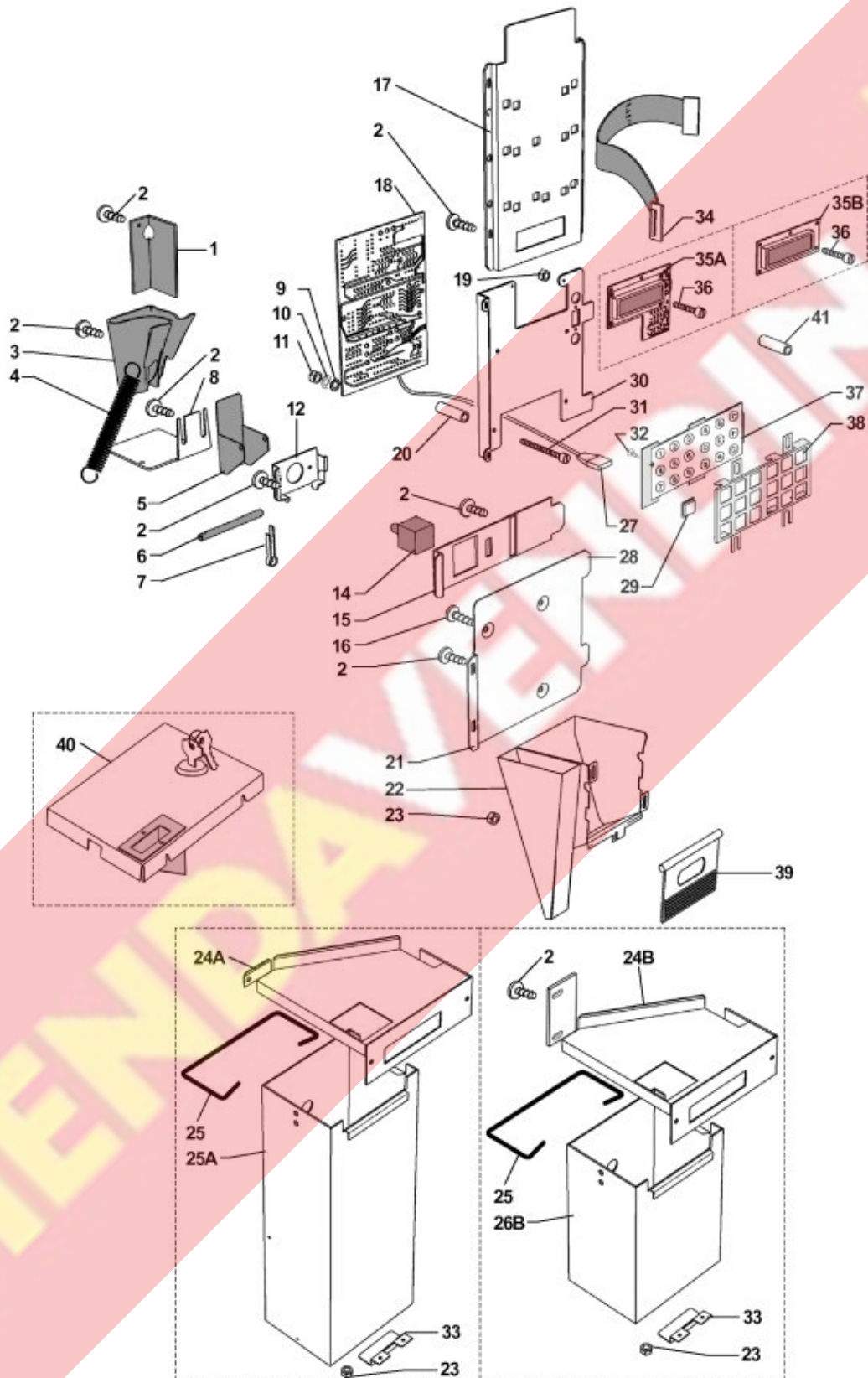


Dispenser unit



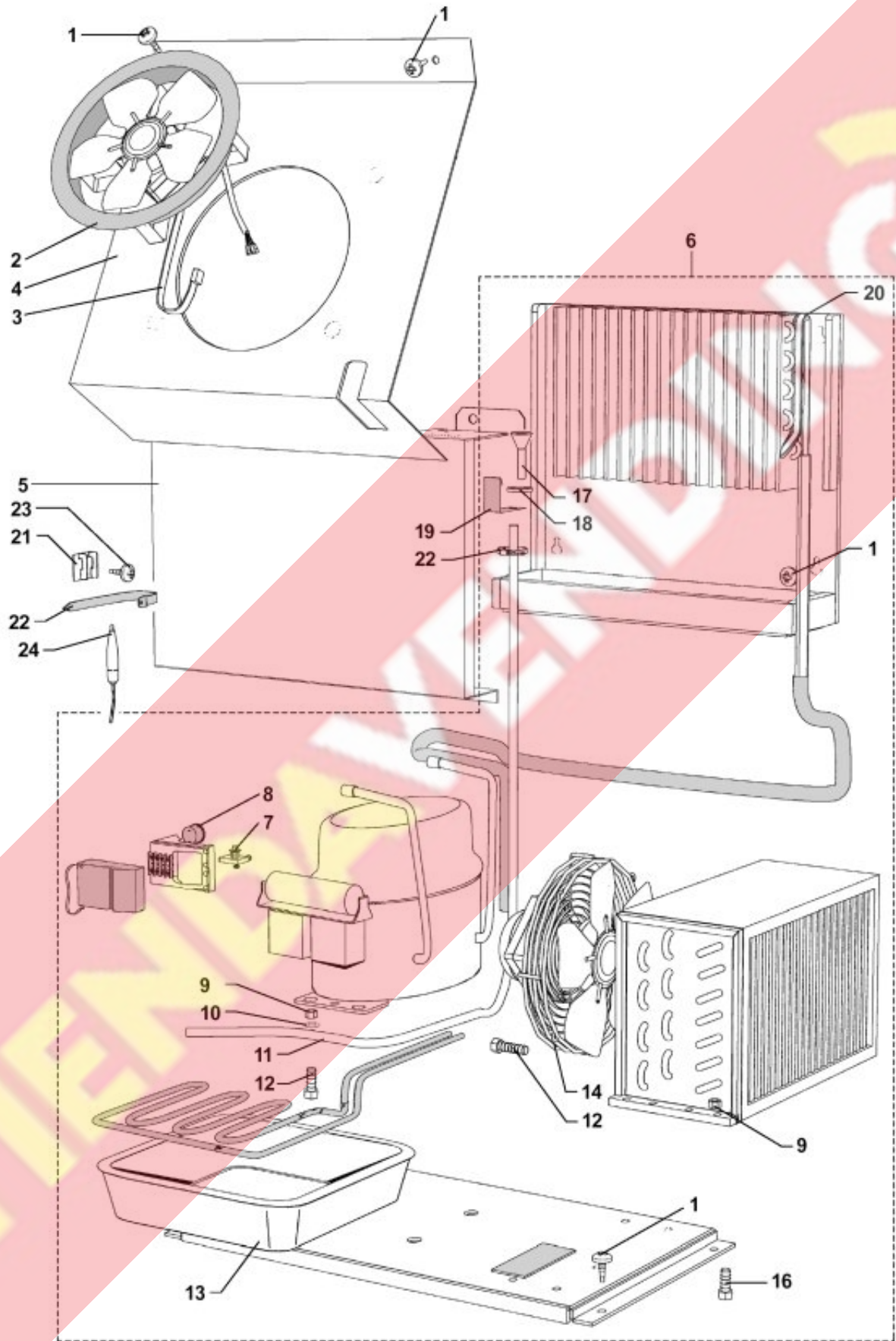
Dispenser unit		
Pos.	Code	Description
1	Z00013003	Aluminium rivet 2,9 x 9
2	61100050	Polycarbonate products wing
3	65150015	Right FTCA sensor support
4	H00067006-RIC	IR FTCA BARRIER RX BOARD
5	Z00012007	Veolene 6 x 65
6	DAM0000064	SCREW TC 3,9x9,5
7	H00067005	IR FTCA BARRIER TX BOARD
8	Z00012007	Veolene 6 x 65
9	65150016	Left FTCA sensor support
10	61103054	Rod for R.2 EB anti-theft
11	61103045	R.2 EB product anti-theft spring
12	61103012	EB tray anti-theft panel
13	61103029	EB Outlet support
14	Z00033005	D. 5 radial
15	61103044	Spring for R.2 EB product flap
16	61103035	EB R.2 front door pin
17	61103034	Anti-theft panel lever
18	61100008	DOOR LEVER PIN
19	61103006	EB product extraction door sheet
20	61103007	Product extraction external door "Push"
21	Z00033006	Radial D. 8
22	Z00032012	Brass washer D.8
23	Z00031010	Flanged nut M4
24	Z00032002	D.4 Washer
25	61100047	EB safety switch bracket
26	61103031	Product extraction tray external casing
27	61103033	EB product collection tray
28	13100046	Stud bolt M4
29	Z00012010	Veolene thickness 10 x 155 (mt)
30	Z00012012	20mm veolene (m)

Coin box and slides



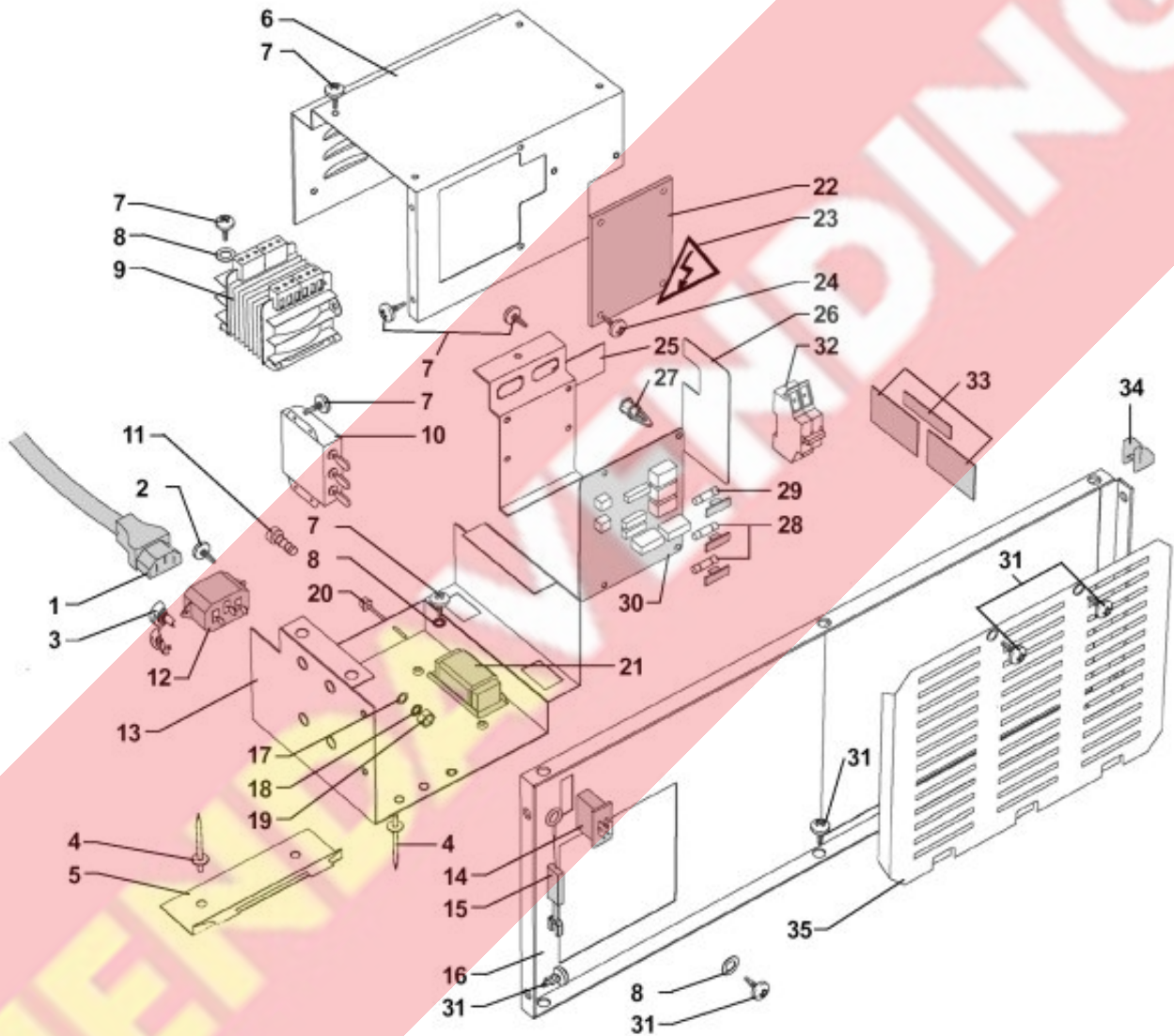
Coin box and slides		
Pos.	Code	Description
1	H61120048	
2	H00035002	
3	Z0020042014CY	COINS RETURN CHUTE RAL9018
4	H00016006	SPRING FOR COIN RETURN LEVER
5	H61120033	
6	H61120040	COIN REJECTION LEVER PIN
7	H00018024	
8	H61120039	
9	H00032001	
10	H00032051	
11	H00031001	
12	H61120015	
14	H13111006	
15	H61120032	
16	H00034071	
17	H61120036	
18	H00061008	CPU BOARD
19	Z00031001	D. 3 Nut
20	Z00040051	8 x 25 Spacer
21	61120001	EB Coin box support
22	61120041	EB outlet and change slide
23	Z00031010	Flanged nut M4
24A	61103052	EB middle door reinforcing triangle
24B	61103053	EB Luce middle door reinforcing triangle
25	61120013	Coin box handle
26A	61120043	EB coin box
26B	61121043	EB Luce coin box
27	Z00069004	EB keyboard cable
29	Z00014061	EB membrane keyboard transparent key
30	61150005	Support for CPU EB
31	Z00034006	TC 3 x 35 Screw
32	Z00035004	TC+ 2,9 x 6,5 Self-tapping screw
33	61120034	EB coin box lower square
34	Z00069003	EB Display flat cable
35A	Z00061009	EB display card
35B	Z00061012	EB/EP8 display card
36	Z00034002	TC 3 x 20 Screw
37	Z00061051	Membrane keyboard for EB
38	61150017	EB membrane keyboard frame
39	Z00018009	Rh coin return flap
40	H61120049-RIC	COIN BOX LID
41	Z00040071	Spacer for display 8 x 11

Cooling unit



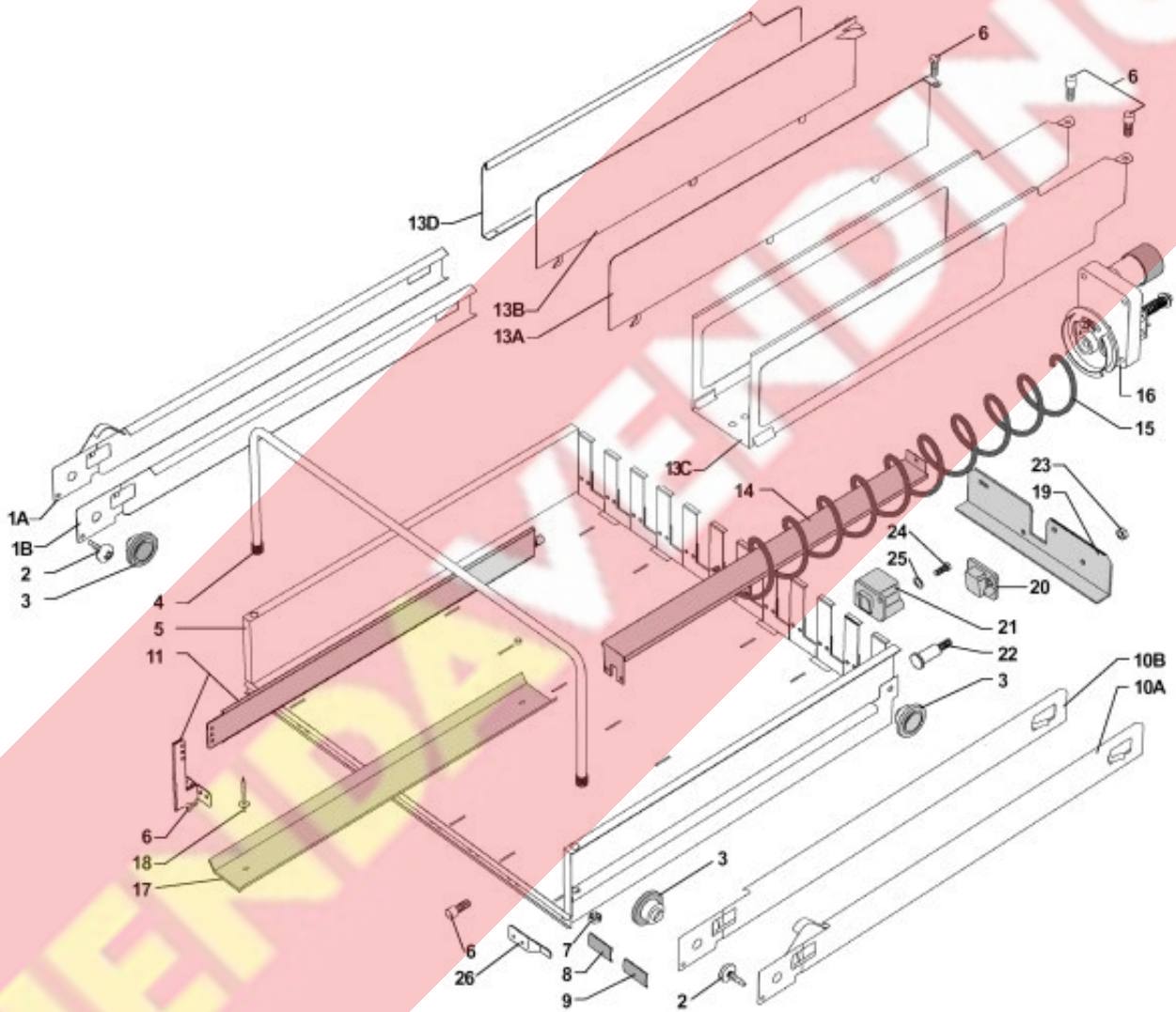
Cooling unit		
Pos.	Code	Description
1	Z00035009	Self-tapping screw wide head 3,9 x 9,5
2	H61400004-4E	FAN 230V 50/60HZ
3	Z00011002	Plastic clip 2,5 x 160
4	H61400005	FAN SUPPORT
5	H61400002	EV EVAPORATOR COVER(CARTER)
6	H61400001-1E-RIC	EB COOLING UNIT
7	12400016	Amperometric relay for cooling unit
8	12400015	Klixon for cooling unit
9	Z00031008	Flanged nut M6
10	Z00032010	Washer D. 6 x 18
11	12400003	Silicone pipe (mt)
12	Z00034033	TE 6 x 25 Screw
13	H13400018	PLASTIC EVAP CONDENS TRAY
14	H12400010	FAN FOR COOLING UNIT
16	Z00034027	TE 6 x 16 Screw
17	Z00040038	Pipe for refrigerator tray
18	12400014	Gasket for tray pipe
19	14401001	FM Sh EB Discharge support square
20	75400004	SL-SLP-EB Evaporator support
21	Z00011001	Clamp holder
22	Z00011002	Plastic clip 2,5 x 160
23	Z00035004	TC+ 2,9 x 6,5 Self-tapping screw
24	H13400011	PROBE FOR COOLING UNIT

Electrical box



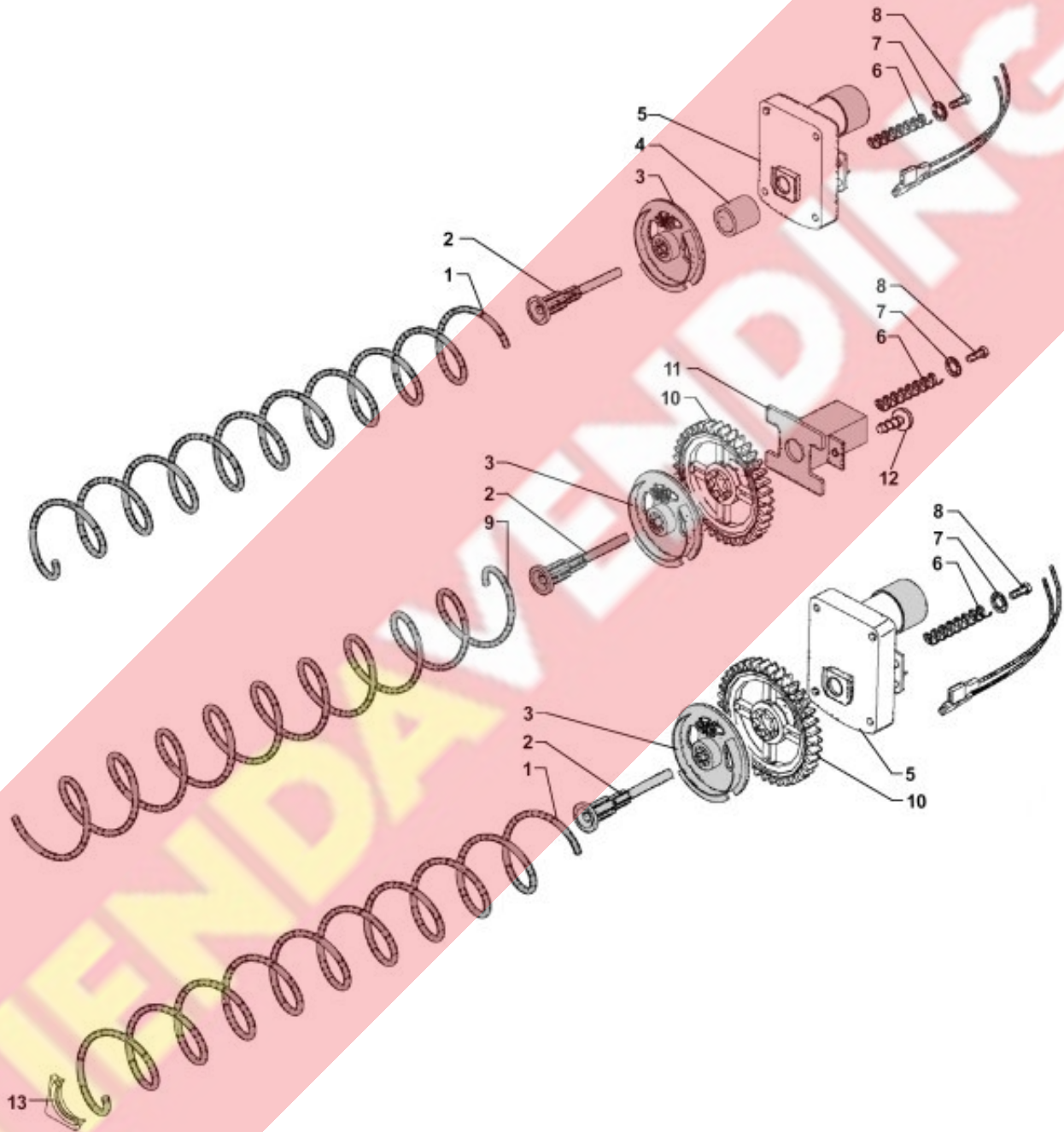
Electrical box		
Pos.	Code	Description
1	Z00021056	Feeding cable with S31 plug
2	Z00035002	TC+ 3,9 x 9,5 self-tapping screw
3	Z00021072	Reopenable plastic cable lock
4	Z00013003	Aluminium rivet 2,9 x 9
5	61510008	Bracket for electrical casing EB
6	75510014	Electric box cover SL-EB
7	DAM0000064	SCREW TC 3,9x9,5
8	Z00032052	External toothed washer D. 4
9	61510005	EB transformer
10	Z00020052	Screened 20A voltage filter
11	Z00034001	TC 3 x 16 Screw
12A	Z00020071	Panel pin with screws
12B	Z00020073	Panel pin with filter 10A
13	75510004	Electric box frame Sh-EB
14	ELE0002009	BIPOLAR SWITCH 15A 250V
15	H00027007	SAFETY SWITCH KEY
16	61500005	EB front grid
17	Z00032001	Washer D. 3
18	Z00032051	External toothed washer D.3
19	Z00031001	D. 3 Nut
20	Z00011002	Plastic clip 2,5 x 160
21A	61510006	EB lamp reactor
21B	61511006	EB lamp reactor 36W
22	61510007	EB electrical casing smoked window
23	Z00011004	Small yellow 'Voltage' sticker
24	DAM0000064	SCREW TC 3,9x9,5
25	61510015	Power card support EB
26	75510007	Magneto. Switch separator SL-EB
27	Z00025055	6 mm height spacer
28	Z00029004	Delayed fuse 5x20 T4A
29A	Z00029002	Delayed fuse 5x20 T6,3A
29B	Z00029005	Delayed fuse 5x20 T2A
30A	Z00065003	Relay card DS2-POT V.6.2 probes
30B	Z00065007	track board
31	Z00035009	Self-tapping screw wide head 3,9 x 9,5
32	61510009	6A Magnetothermal switch
33	61510012	EB electrical casing connection sticker
34	Z00015003	Large 'U'-gasket (per Mt)
35	71401006	Front cabinet sheet metal inspection

Drawer unit



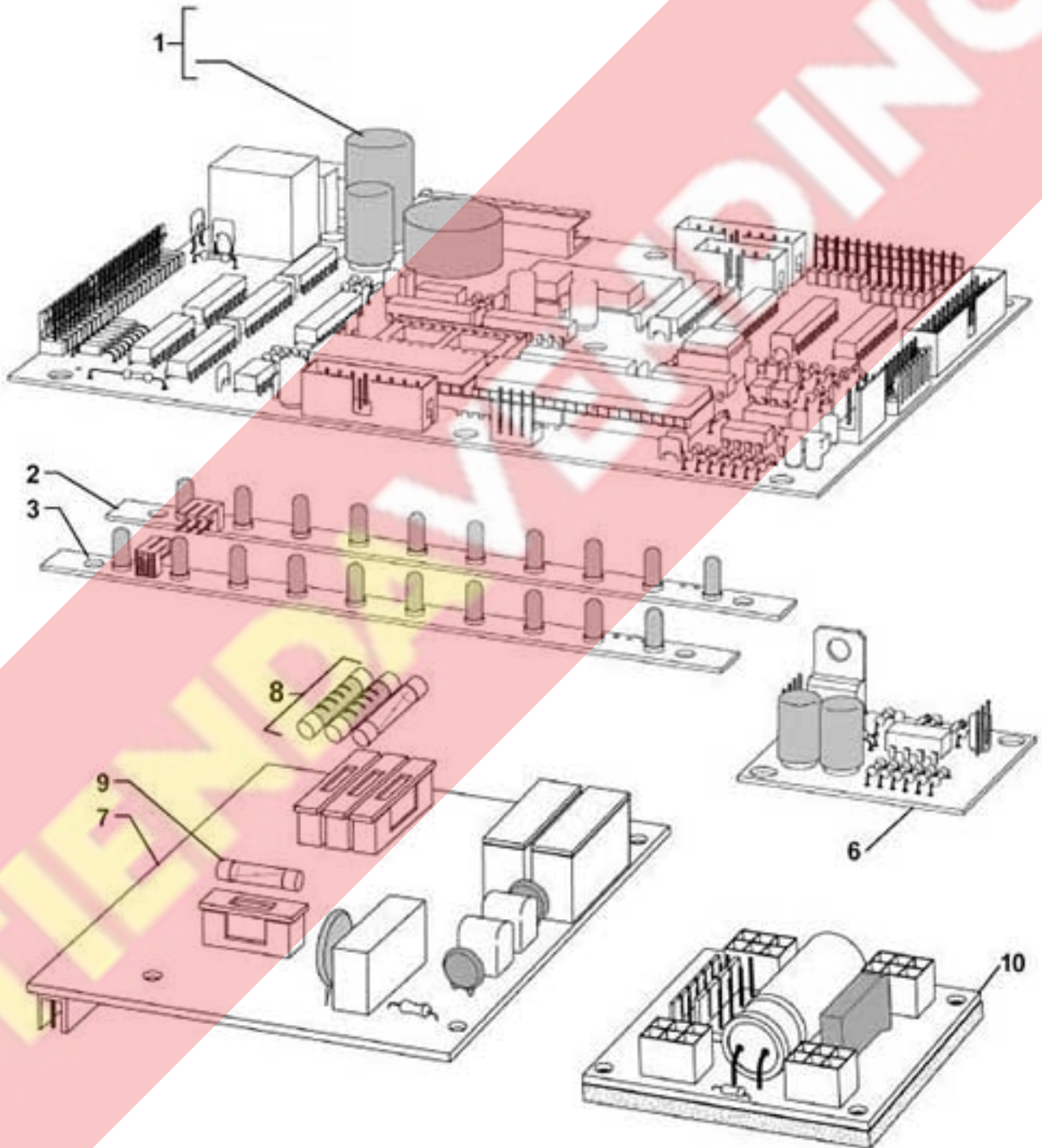
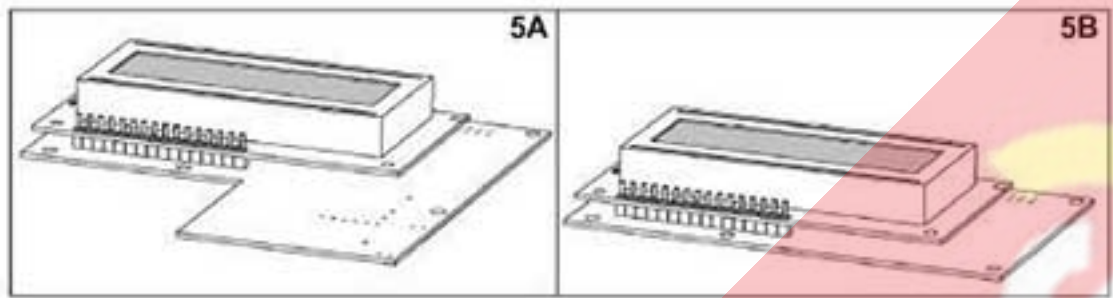
Drawer unit		
Pos.	Code	Description
1A	H61301003C	DRAWER RECLINING LEFT-HAND GUI
1B	H61300003C	LEFT GUIDE + WHEEL
2	Z00035009	Self-tapping screw wide head 3,9 x 9,5
3	61300015	EB/EP8 drawer sliding wheel
4A	61300028	Upper bottle drop stopper
4B	61301028	Lower bottle drop stopper
5A	61300010	Coated drawer 7 spirals
5B	61360010	Coated drawer 6 spirals
6	Z00035004	TC+ 2,9 x 6,5 Self-tapping screw
7	Z00031052	D. 6 self-tapping Nut
8	61320011	EB position sheet
9	61320021	EB/EP8 price sheet
10A	H61301002C	DRAWER FIXED LEFT-HAND GUIDE
10B	H61300002C	RIGHT GUIDE + WHEEL
11	61301026	Spiral separator
13A	61300024	Metal product separator
13B	61301024	PLASTIC PRODUCTS SEPARATOR
13C	61302024	Double product separator
13D	61362024	Metal product separator (6 spirals)
14	61300017	Product support bridge stainless steel
15	V t	See Spiral Unit (Table I1)
16	V t	See Spiral Unit (Table I1)
17	61300008	Product conveyor spiral
18	Z00013003	Aluminium rivet 2,9 x 9
19	61300006	Connector support plate
20	Z00023062	Femal anti-extraction connector
21	Z00023061	Male anti-Extraction connector
22	H00040065	SPACER 12,5X8
23	Z00031010	Flanged nut M4
24	Z00035003	TC+ 4,2 x 13 Self-tapping screw
25	Z00032002	D.4 Washer
26	61300041	Drawers stop bracket

Spiral unit



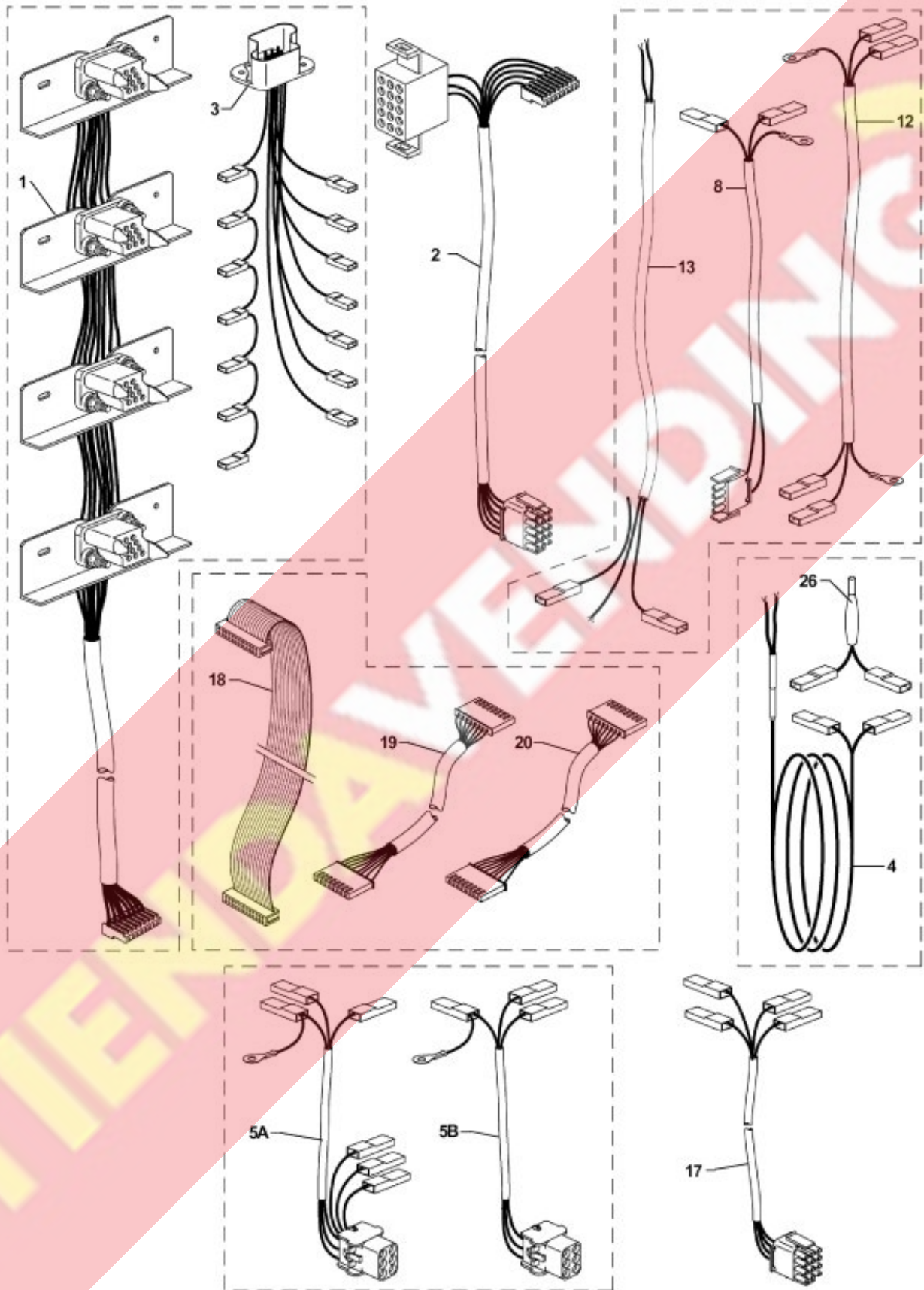
Spiral unit		
Pos.	Code	Description
1A	61311024	Right spiral D.65 thread 24 (20 products)
1B	61311032	RIGHT SPIRAL D.65 - PITCH 32 (15 PRODUCTS)
1C	61311045	Right spiral D.65 thread 45 (10 products)
1D	61311060	Right spiral D.65 thread 60 (8 products)
1F	61311079	Right spiral D.65 thread 78,5 (6 products)
1/g	H61311091NA	RIGHT SPIRAL D65 P94 5 PROD.
1H	H61311067NA	RIGHT SPIRAL D65 P67 7 PROD.
2	61300029	Spiral motor shaft
3	61300012	Spiral attachment ring nut
4	61300033	Bush for spiral without gears
5	61300011	Spiral gearmotor
6	61300030	Spiral motor shaft spring
7	Z00034014	TCE 6 x 16 Screw
8	Z00035001	TC+ 2,9 x 9,5 Self-tapping screw
9A	61312024	Left spiral D.65 thread 24 (20 products)
9B	61312032	Left spiral D.65 thread 32 (15 products)
9C	61312045	Left spiral D.65 thread 45 (10 products)
9D	61312060	Left spiral D.65 thread 60 (8 products)
9F	61312079	Left spiral D.65 thread 78,5 (6 products)
10	61300031	Spiral toothed wheel
11	H61300032	BUSH F TOOTHED WHEEL W/O MOTOR
12	Z00035012	Self-tapping screw TC+3,9x6,5 without point
13	60300043	Small spoon for spiral

Electronic cards



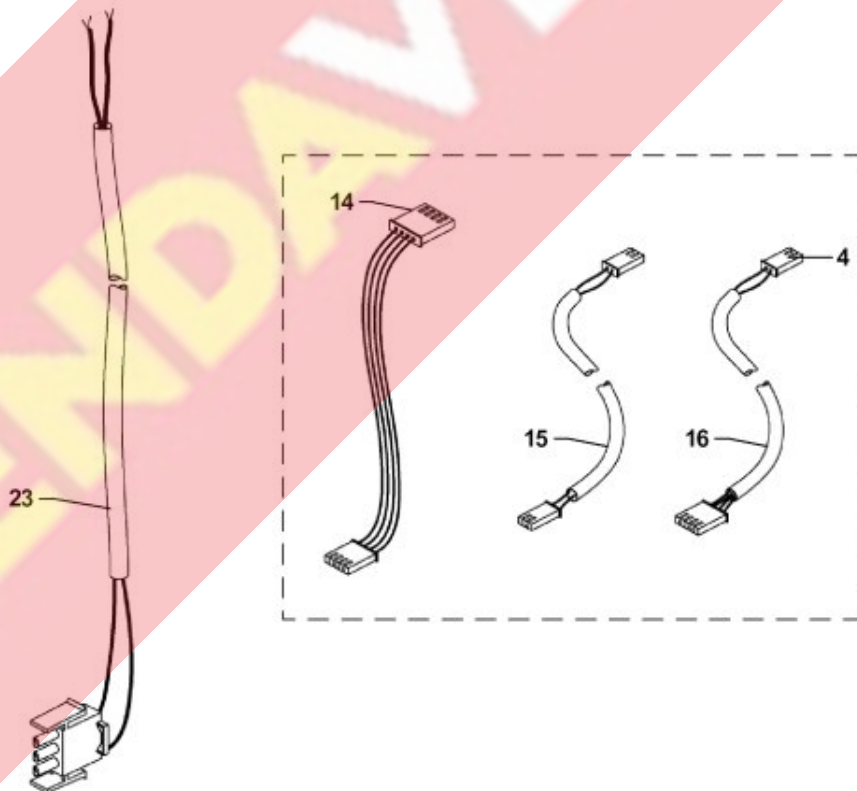
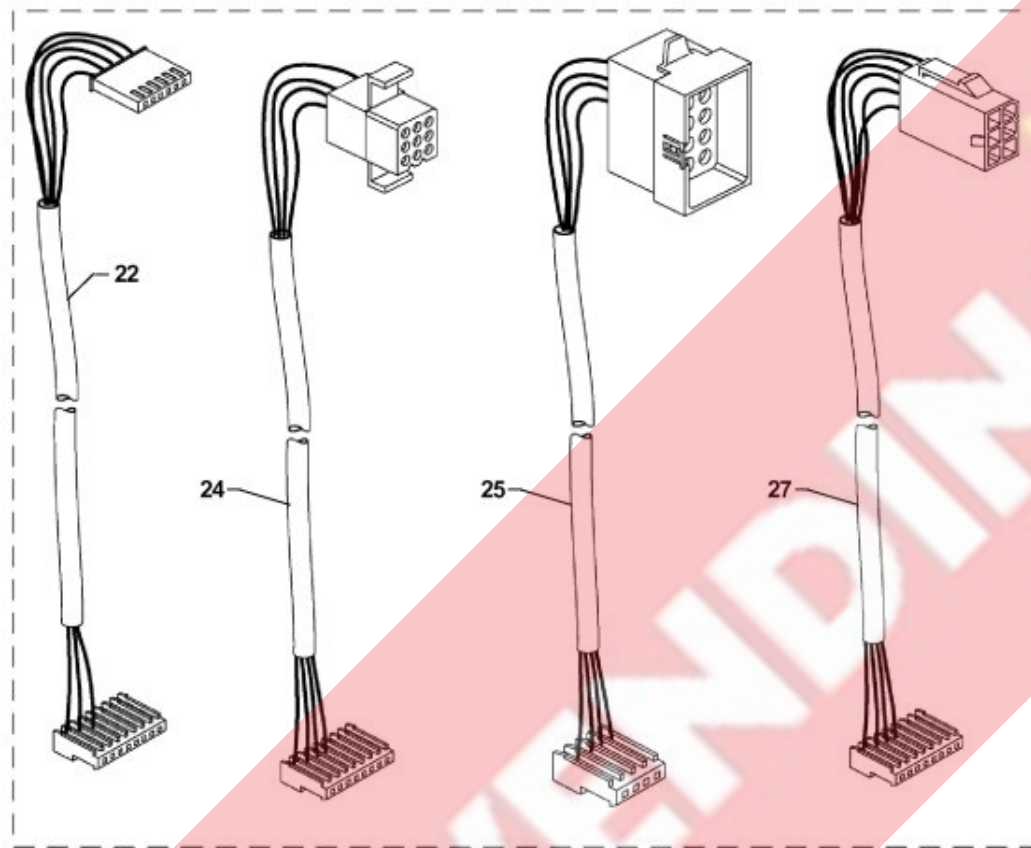
Electronic cards		
Pos.	Code	Description
1	H00120101	CPU BOARD
2	H00067005-RIC	IR FTCA BARRIER TX BOARD
3	H00067006-RIC	IR FTCA BARRIER RX BOARD
5A	H00061037	DISPLAY BOARD
5B	H00061033	DISPLAY BOARD
6	H00067007-RIC	IR FTCA INTERFACE BOARD
7	H00065007	TRIACK/RELAY BOARD
8A	Z00029004	Delayed fuse 5x20 T4A
8B	Z00029005	Delayed fuse 5x20 T2A
9	Z00029002	Delayed fuse 5x20 T6,3A
10	Z00067051	MDB multi card

Wiring 1



Wiring 1		
Pos.	Code	Description
1	61520001	Connection wiring for EB 7 drawers
2	61150009	EB door wiring
3	61300014	EB draw wiring
4	71140004	EB-SP wiring for probe
5A	61510011	EB fan cable
5B	61513011	EB-S fan cable
8	61150012	EB neon cable
12	61153010	EB neon wiring harness part 1 on door
13	61153011	EB neon wiring harness part 2 heads
17	75510012	Sh-EB safety switch wiring
18	Z00069003	EB Display flat cable
19	Z00069007	EB membrane keyboard LED cable
20	Z00069004	EB keyboard cable
26	H13400011	PROBE FOR COOLING UNIT

Wiring 2



Wiring 2		
Pos.	Code	Description
14	65150021	IR interface card cable
15	65150022	IR transmitter cable
16	65150023	IR receiver cable
22	Z00067054	MDB-EB multi cable
23	61510018	EB-PRO Heating element wiring
24	14122001	Executive conn. cable
25	Z00067052	Multi-MDB power supply cord
27	61150016	MDB EB Single cable