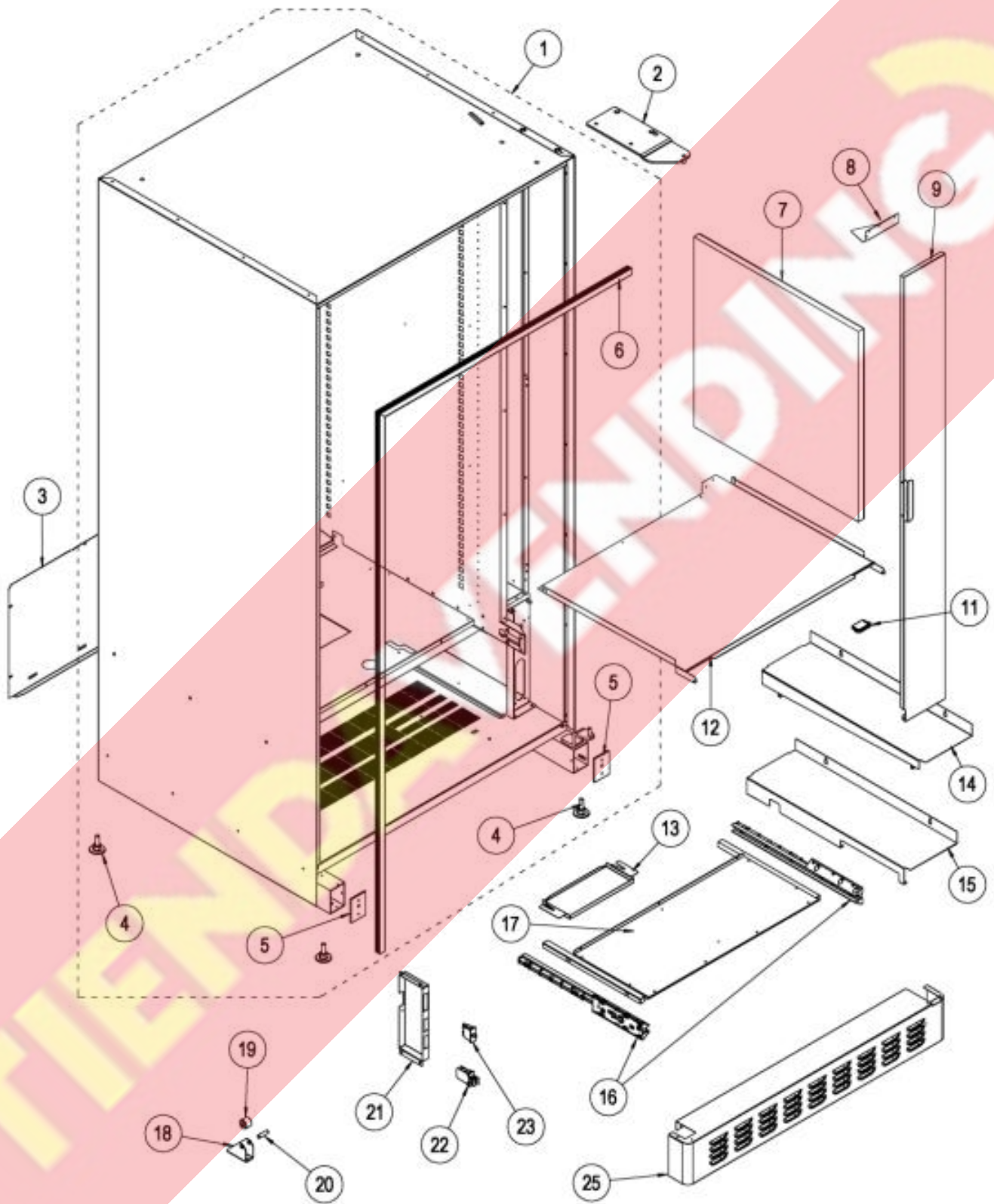


vending machine



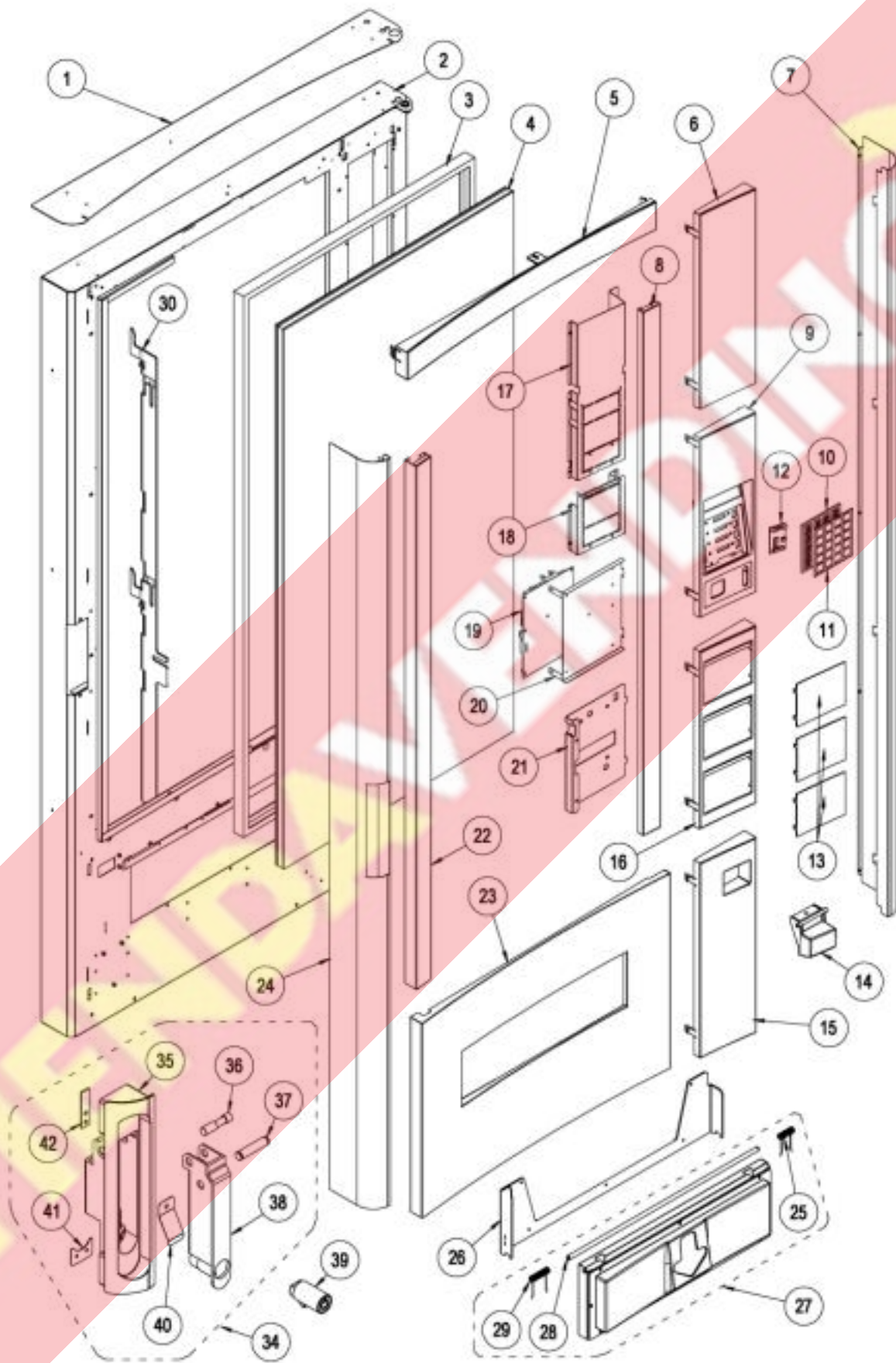
spare parts manual

Cabinet unit



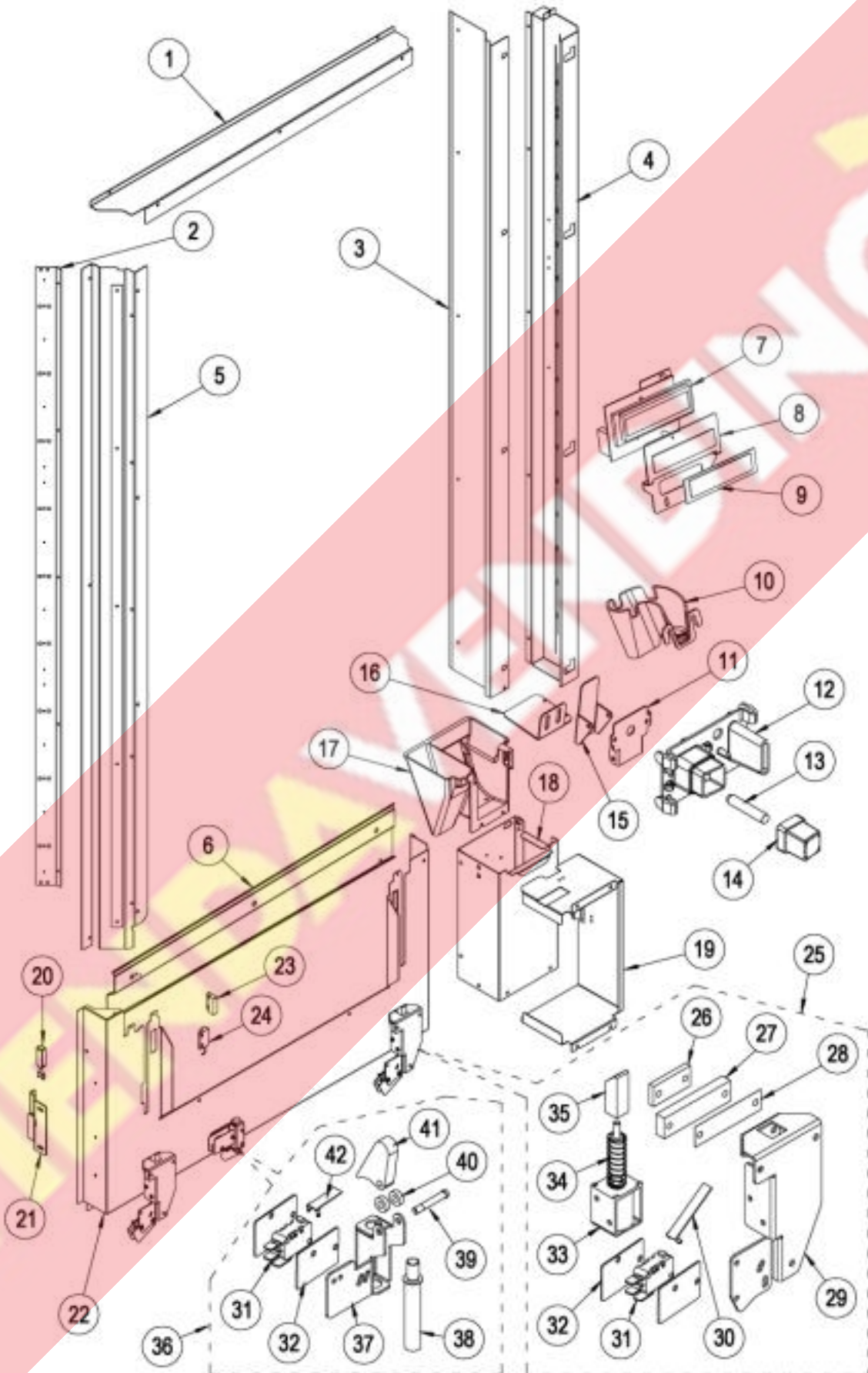
Cabinet unit		
Pos.	Code	Description
1	601500004	LXS9 Cabinet unit with interior
2	601500008-V	LXS9 Door upper pintle
3	601500007	Rear LXS9 grid
4	Z0010013208	MACHINE FOOT
5	Z00015074C	Cap 70x50 for basement LXS9 complete
6	601500022	LXS9 Magnetic gasket to 'L'
7	601570012	Aluminized polyurethane insulation 568x568x20
8	601560016	Stop for door compartment escort LXS9
9	601560110	LXS9 Compartment escort door complete
11	Z00017050	Magnetic lock for cover EP8-LXS9
12	601400039	Separator air flow cabinet LXS9
13	601500043	Motor sliding panel cover LXS9 complete
14	601560013	Upper shelf tray stock LXS9
15	601560012	Lower shelf tray stock LXS9
16	601500042	Guide sliding panel-support FTCA LXS9
17	601500130	Sliding panel complete LXS9
18	601500040	Bracket for wheel LXS9 door
19	Z00041003	Nylon wheel LXS9 door support
20	Z00040059	8x32 pin
21	601500057	Cover switches LXS9 cabinet
22	ELE0002009	BIPOLAR SWITCH 15A 250V
23	H00027032	SWITCH BUTTON
25	601500009C	LXS9 Complete Cabinet skirting

Door Unit



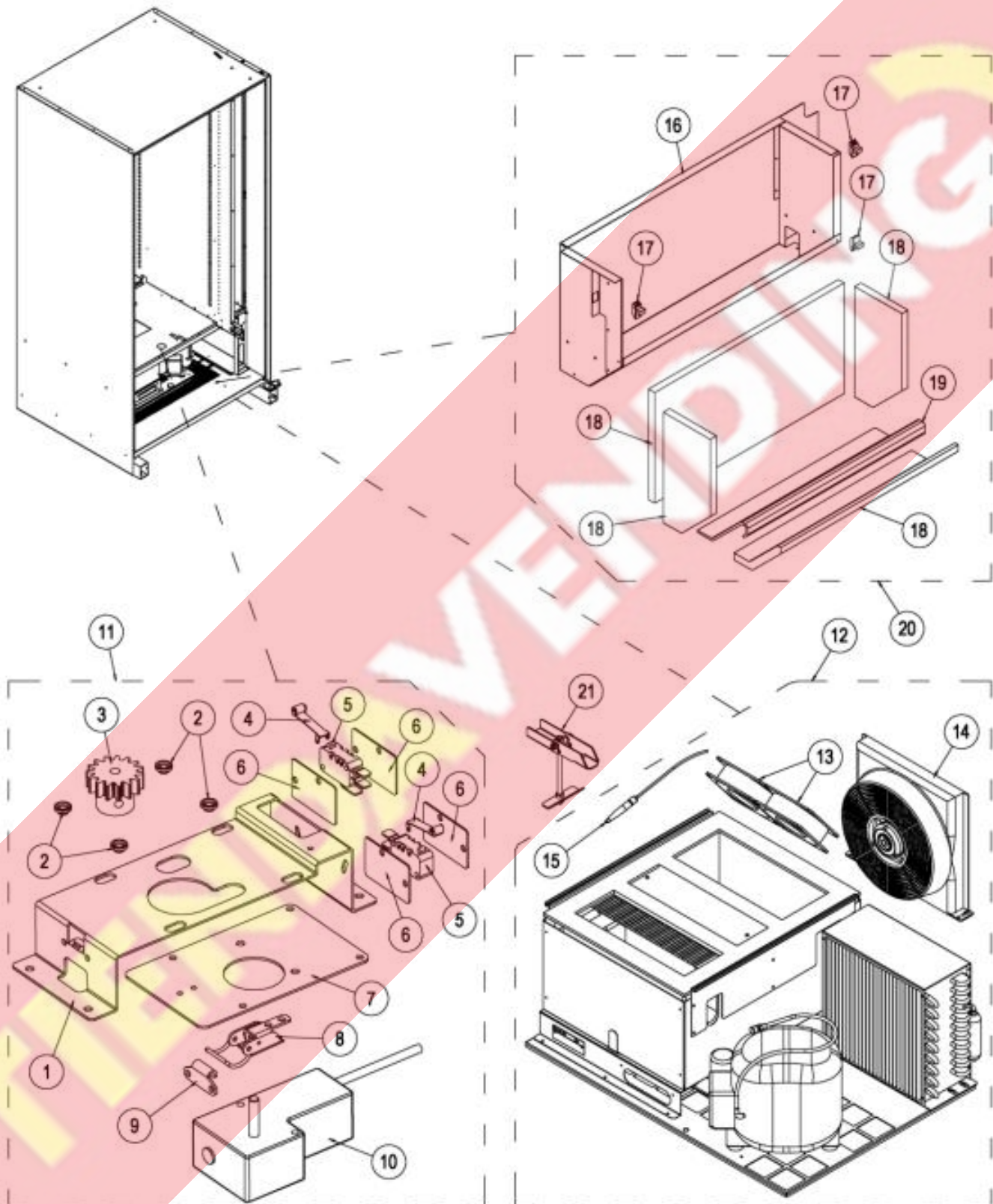
Door Unit		
Pos.	Code	Description
1	601100017-V	LXS9 Aesthetic upper door closing
2	601100003-G	LXS9 Door frame complete
3	601101008	Complete LXS9 showcase seal
4	601101021	LXS9-Pro double glazed glass-case
5	601100024-V	LXS9 Upper door protection aesthetic
6	Z0020042042NA	PAY. SYSTEM PANEL BLACK
7	601100013-V	Right lateral vertical curve aesthetic LXS9
8	601100023-V	LXS9 Profile aesthetic vertical flat right for led
9	RH0020042043-V	Aesthetic module band for display LXS9
10	H00068008NA	KEYPAD (20 KEYS - GREEN LEDS)
11	H00018060-NA	
11	H00018060NA	ADHESIVE LABEL KEYPAD SILVER
12	H00067057	INTERFACE BOARD FOR KEYPAD
13	RH0020042079	LXS9 Door instructions glass
14	RH0020042056-V	LXS9 Coin retur flap
15	RH0020042045-V	Aesthetic module band coin return LXS9
16	RH0020042044-V	Aesthetic module band instructions glass LXS9
17	RH0020042106	Removable LXS9 door plate type 'A'
18	RH0020042149	Support reader banknotes LXS9
19	SCH0010430-03	CL1 CPU FLASH ELECTRONIC CARD
20	601150005	Support CLP1 CPU Flash electronic card LXS9
21	RH0020042063	LXS9 Coin box support
22	601100022-V	LXS9 Profile aesthetic vertical flat left for led
23	601100028	LXS9 Lower door protection aesthetic
24	601100014-V	Left lateral vertical curve aesthetic LXS9
25	61103044	Spring for R.2 EB product flap
26	601100011-V	Plate of coupling to electromagnet 'Push' LXS9
27	601100009	LXS9 Product extraction door complete 'Push'
28	601100035	Rot D.8 for product extraction door LXS9
29	601100044	Spring for LXS9 product flap
30	601130006	LXS9 Handle carillon
34A	601130015	LXS9 Complete door handle Standard/7000
34B	601130016	LXS9 Complete door handle Vend Lock (Rielda)
35	601130007-V	Frame for LXS9 handle
36	Z00040085	LXS9 Handle pin 8 x 34
37	Z00040084	LXS9 Handle pin 8 x 36,5
38A	601130009-V	LXS9 External handle frame (hole ø9,5)
38B	601130012-V	LXS9 External handle frame (hole ø7,5) V. Lock
39A	13130001	Lock pin
39B	12130001	Round cylinder for lock mod.7000
39C	Z00017055	Round cylinder for lock program. Rielda 4014
40	601130010	LXS9 door handle spring
41	601130011	Thickness for lock handle LXS9
42	75130008	Stop for Sh-EB handle

Coin box and slides



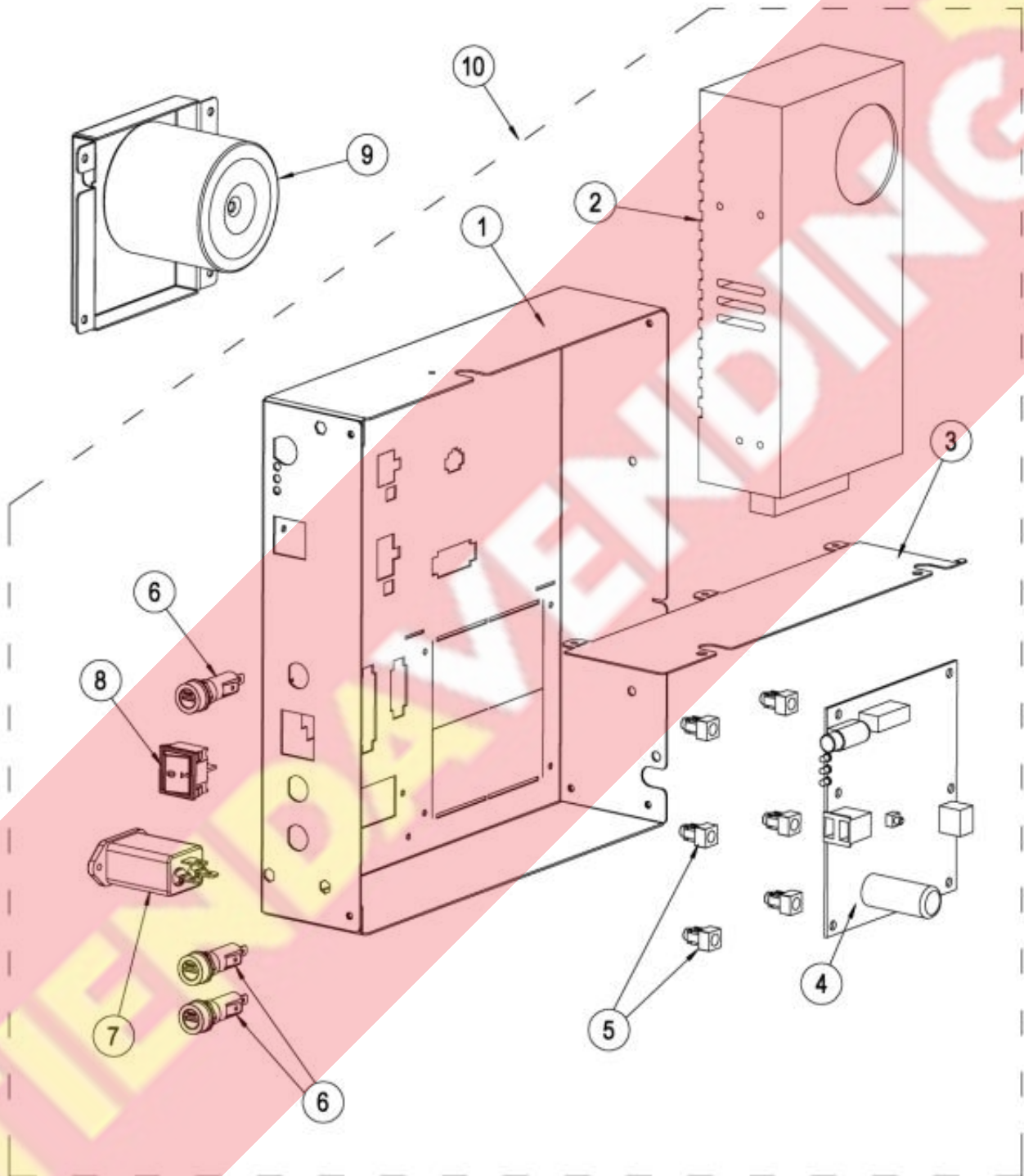
Coin box and slides		
Pos.	Code	Description
1	601101013	LXS9 Upper horizontal glass stopper (Led)
2	601101041	LXS9 Left lamp led support complet (3x6 Led)
3	601101020-V	LXS9 Right lamp led support
4	601101040	LXS9 Right lamp led cover complet (3x6 Led)
5	601101024	LXS9 Left glass stopper (led)
6	601101012	LXS9 Lower horizontal glass stopper
7	Z00061041	Display card for LXS9
8	601150002	LXS9 display card support
9	RH0020030271	LXS9 display transparent glass
10	Z0020042014CY	COINS RETURN CHUTE RAL9018
11	Z002D601003	LXS9 Support for change return square
12	RH0020042083	LXS9 Coin entry support
13	Z00040082	EPL8M-LXS9 Coin return pin
14	RH0020042062-V	LXS9 Coin return button
15	Z002D601002	Lower square for LXS9 coin rejection
16	Z002D601001	LXS9 Coin return lever
17	RH0020042014	LXS9 Change return box
18	601120014	LXS9 Coin box
19	601120013	LXS9 Coin box support
20	H00027007	SAFETY SWITCH KEY
21	601100043	LXS9 Safety switch bracket
22	601100027	LXS9 lower door closing
23	Z00017065	LXS9 Magnet for sensor Reed M4
24	DAM0000048	REED SENSOR MK04U-1A71
25	601100036	Complete magnet group for block 'Push' LXS9
26	601100049	Short skater for magnet pivot LXS9
27	601100050	Long skater for magnet pivot LXS9
28	601100048	Thin layer for compensation magnet LXS9
29	601100030	Electromagnet block 'Push' support LXS9
30	Z00027015	Lever for microswitch R=38 without wheel
31	Z00027003	Microswitch CROUZET 83161.3
32	Z00012002	Insulated plate for micro- switch
33	DAM0000021-RIC	§ ELECTROMAGNET
34	H601100034	SPRING FOR MAGNET PIN
35	H601100039-VXC	HEAD FOR ELECTROMAGNET PIVOT
36	601100046	Complete support piston of slowing-down LXS9
37	601100031	Support for piston of slowing-down LXS9
38	601100041	Piston of slowing-down BLM
39	Z00040041	Stainless pin M5x27
40	Z00040081	PVC spacer h.3 D.4,5 x 9,5
41	601100038	Lever for piston of slowing-down LXS9
42	Z00027016	Lever for microswitch R=21,7 without wheel

Cooling unit



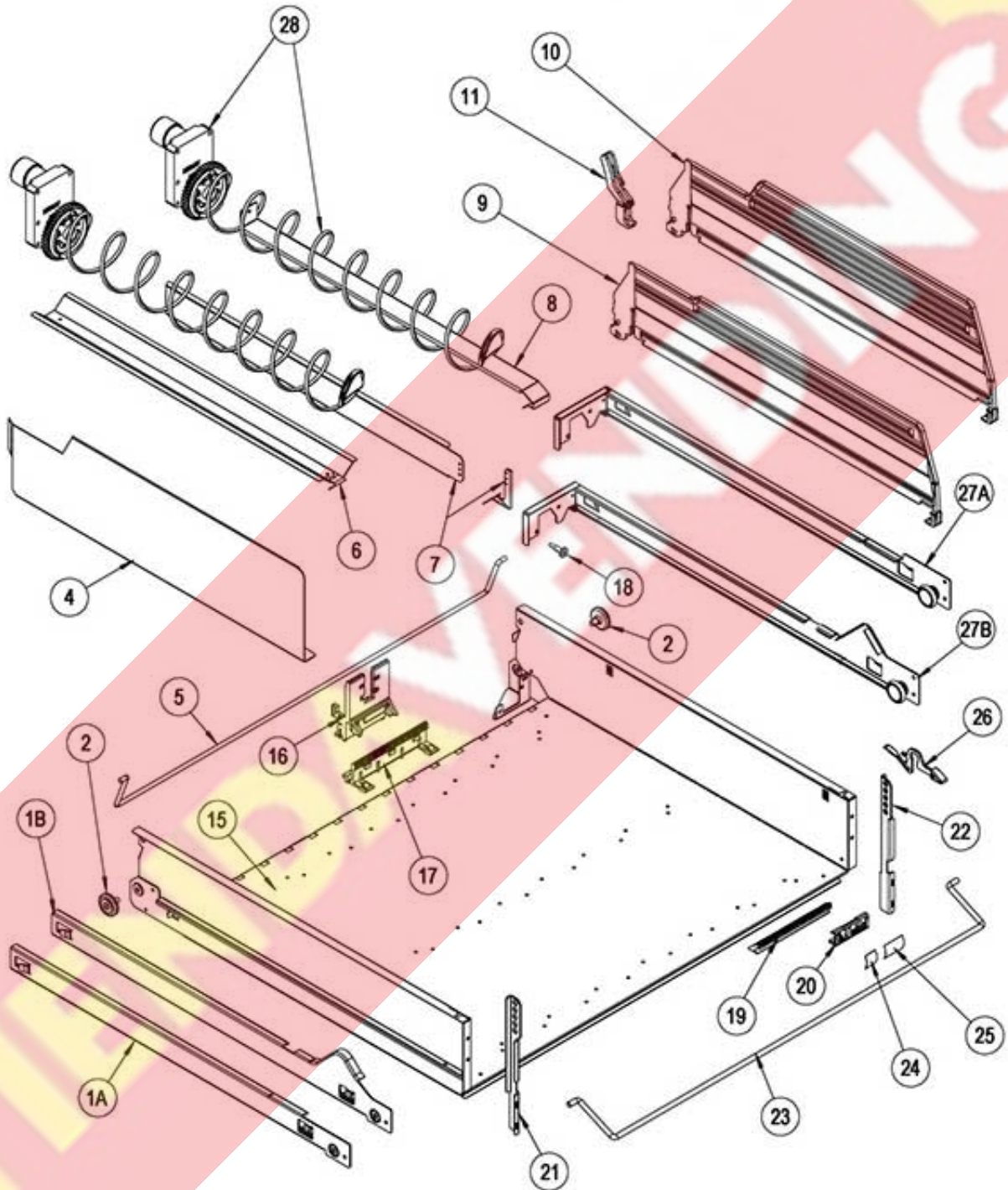
Cooling unit		
Pos.	Code	Description
1	601500038	LXS9 Anti-theft motor support plate
2	66100008	Door lever spacer EP8
3	601500036	LXS9 Anti-theft sliding panel gearwheel
4	ELE0001906	MICROSWITCH LEVER
5	Z00027003	Microswitch CROUZET 83161.3
6	Z00012002	Insulated plate for micro- switch
7	601500032	Sliding anti-theft motor support LXS9
8	Z00017062	Closure at lever TL 17-201-07
9	Z00017063	Couple for closure TL 17-201-07
10	H601510019	GEAR MOTOR 24VDC 287RPM
11	601500132	Unit anti-theft motor LXS9 complete
12	FRID603003-RIC	COOLING UNIT PRO R134A 50/60HZ
13/a	H601400005-4E	FAN FOR COOLING UNIT for GAS R134A
13/b	H601400005-4E	FAN FOR COOLING UNIT for GAS R404A
14/a	ELE0000484	FAN FOR COOLING UNIT for GAS R134A
14/b	H601400015-4E	FAN FOR COOLING UNIT for GAS R404A
15	H00069030	PROBE FOR COOLING UNIT
16	601500005	LXS9 Front panel (Tray)
17	Z00017060	Closure panel to push A3-30-519-12
18	63500003	Front panel insulation device XTS5/EM8S
19	Z00012017	Drilled insulation device Sp.6x1400 (per meter)
20	H601500006-RIC	§ FRONT PANEL LXS9 (TRAY)
21	Z001D601424R	§ HOOK GROUP FRIDGE

Electrical box



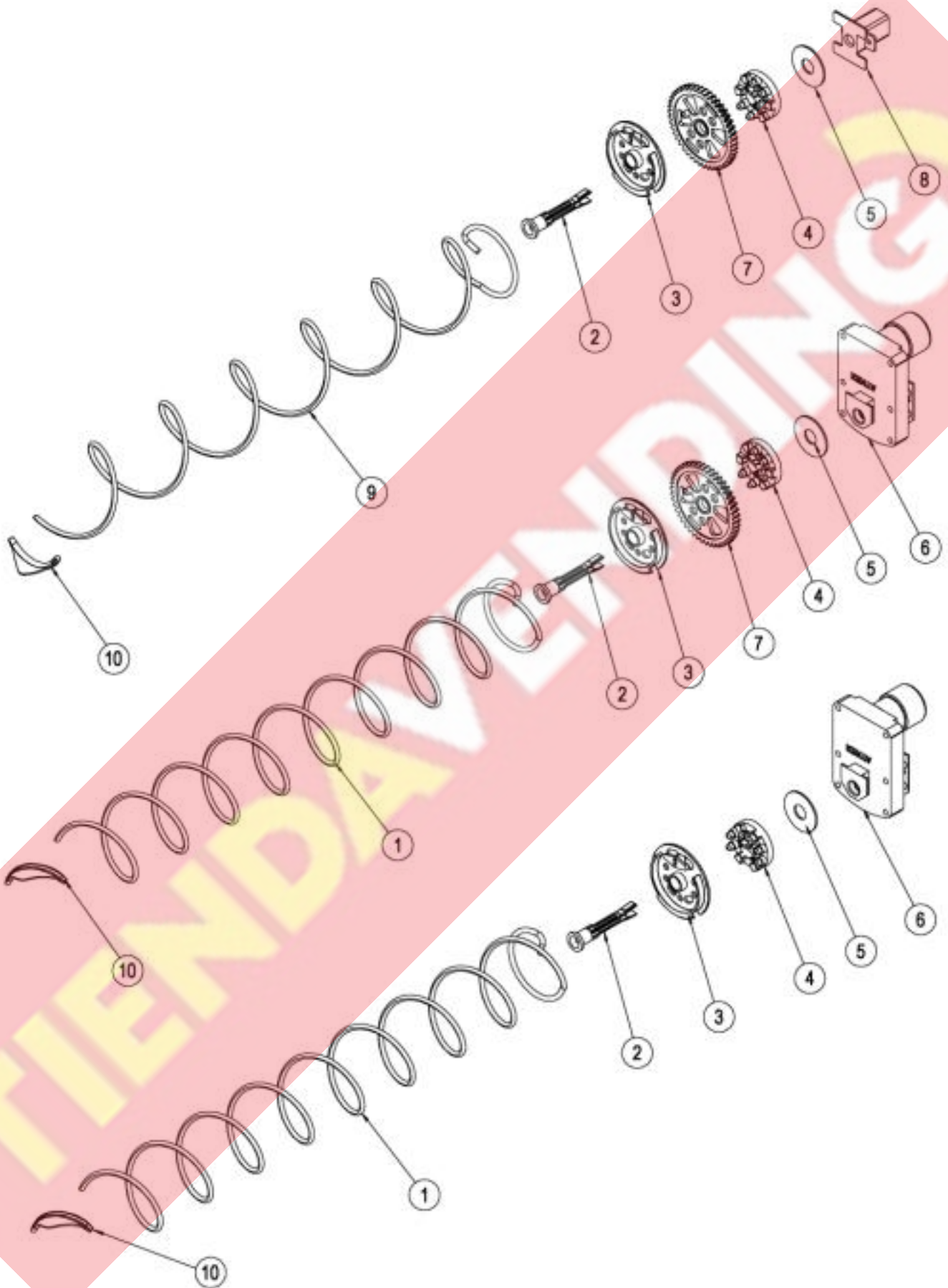
Electrical box		
Pos.	Code	Description
1	H601510004	ELECTRICAL BOX FRAME
2	601510005	Switching power pack 28Vdc for LXS9
3	601510003	LXS9 Electrical box separator
4	H00065009	POWER BOARD
5	Z00040092	Spacer (rawplug) h.6,4
6	H00029006	FUSE HOLDER
7	Z00020073	Panel pin with filter 10A
8	H00027030	ELECTRICAL BOX SWITCH
9	H601510030-1E-RIC	EXECUTIVE KIT
10	H601510050-4E	ELECTRICAL BOX 230V 50/60HZ

Drawer unit



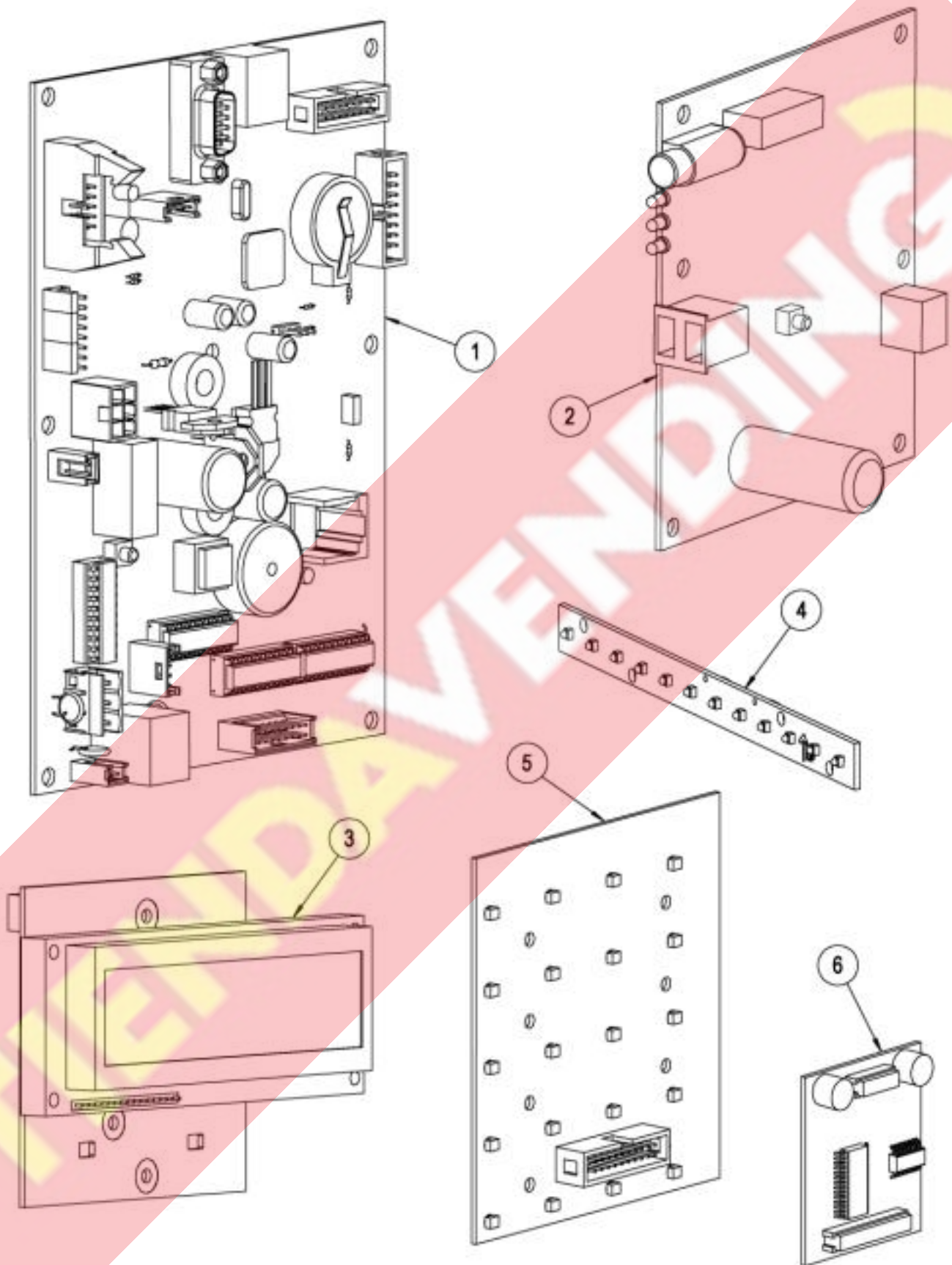
Drawer unit		
Pos.	Code	Description
1/A	H601300003C	LEFT GUIDE + WHEEL
1/B	H61301003C	DRAWER RECLINING LEFT-HAND GUI
2	H61302015	DRAWER SLIDING WHEEL
4	H601300024-VNA	METAL PRODUCTS SEPARATOR
5	H601300018	SUPPORT CABLE ROD FOR DRAWER
6	H601300008-VNA	PRODUCT CONVEYOR SPIRAL
7	H601301026-RIC	SPIRAL SEPARATOR COMPLETE
8	H601300017	PRODUCT SUPPORT BRIDGE
9	H601301019	PLASTIC PRODUCT SEPARATOR LOW
10	H601301024	PLASTIC PRODUCT SEPARATOR HIGH
11	H601301020	LEVER FOR PLASTIC SEPARATOR
15	H601300013	LXS9 DRAWER WITH GUIDES
16	H601300035	SUPPORT SINGLE-MOTOR DRAWER
17	H601300036	SUPPORT FOR DRAWER MOTOR
18	H00040065	SPACER 12,5X8
19	H601300037	SUPPORT FOR PRICE HOLDER
20	H601300016	PRICE HOLDER DRAWER
21	H601300065-VNA	LEFT SUPPORT FOR BOTTLES STOP
22	H601300066-VNA	RIGHT SUPPORT FOR BOTTLES STOP
23/A	H601300063	STOPPER BOTTLES ROD FOR DRAWER
23/B	H601300067	STOPPER BOTTLES ROD FOR DRAWER
24	H601320011	SHEET POSITIONS
25	H601320021	SHEET PRICES
26	H601300041	DRAWER STOP BRACKET
27/A	H601300002C	RIGHT GUIDE + WHEEL
27/B	H601301002C	RECLINING RIGHT GUIDE + WHEEL
28		See table Spiral unit

Spiral unit



Spiral unit		
Pos.	Code	Description
1A	61311024-V	Right spiral D.65 thread 24 (20 products)
1B	H61311032-VNA	RIGHT SPIRAL D65 P32 15 PROD.
1C	61311045-V	Right spiral D.65 thread 45 (10 products)
1/d	H61311060-VNA	RIGHT SPIRAL D65 P60 8 PROD.
1E	61311079-V	Right spiral D.65 thread 78,5 (6 products)
1/f	H61311091NA	RIGHT SPIRAL D65 P94 5 PROD.
1G	61311117	Right spiral D.65 thread 117 (4 products)
1H	H61311067NA	RIGHT SPIRAL D65 P67 7 PROD.
2	601300029	LXS9 Spiral motor shaft
3	601300012	LXS9 Spiral attachment ring nut
4	H601300034-01	FRICITION FOR SPIRAL ATTACHMENT
5	VIT0003512	NYLON WASHER 12,7X35X1,5
6	61301011	Spiral gearmotor
7	H601300031	TOOTHED WHEEL FOR SPIRAL
8	601300032	LXS9 Bush for toothed wheel
9A	61312024-V	Left spiral D.65 thread 24 (20 products)
9B	61312032-V	Left spiral D.65 thread 32 (15 products)
9C	61312045-V	Left spiral D.65 thread 45 (10 products)
9D	61312060-V	Left spiral D.65 thread 60 (8 products)
9E	61312079-V	Left spiral D.65 thread 78,5 (6 products)
9F	61312091	Left spiral D.65 thread 94 (5 products)
9G	61312117	Left spiral D.65 thread 117 (4 products)
10	60300043	Small spoon for spiral

Electronic cards



Electronic cards		
Pos.	Code	Description
1	SCH0010430-03	CL1 CPU FLASH ELECTRONIC CARD
2	H00065009	POWER BOARD
3	Z00061041	Display card for LXS9
4	H00067041	IR FTCA BARRIER BOARD
5	H00068008NA	KEYPAD (20 KEYS - GREEN LEDES)
6	H00067057	INTERFACE BOARD FOR KEYPAD