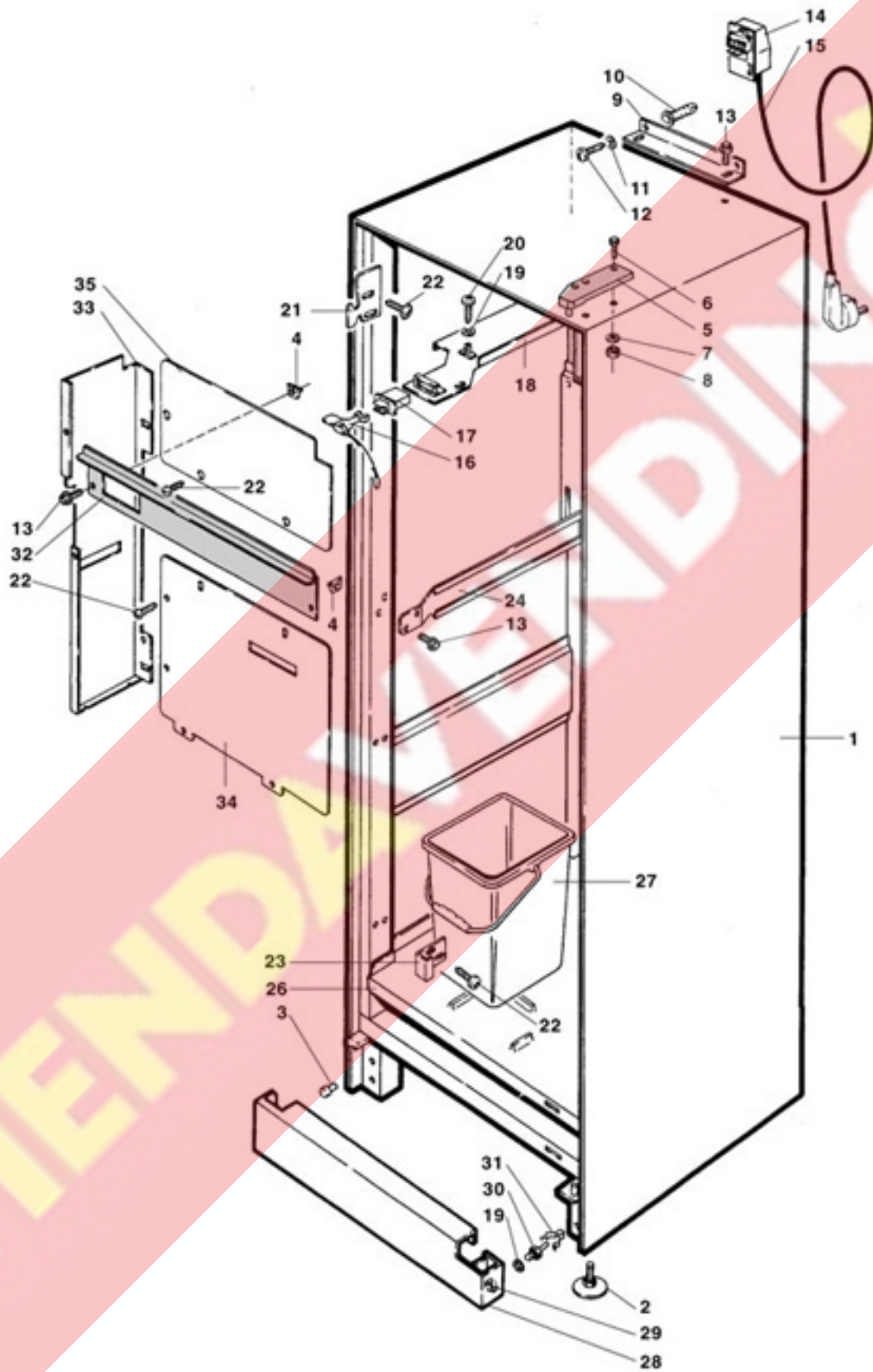


# vending machine

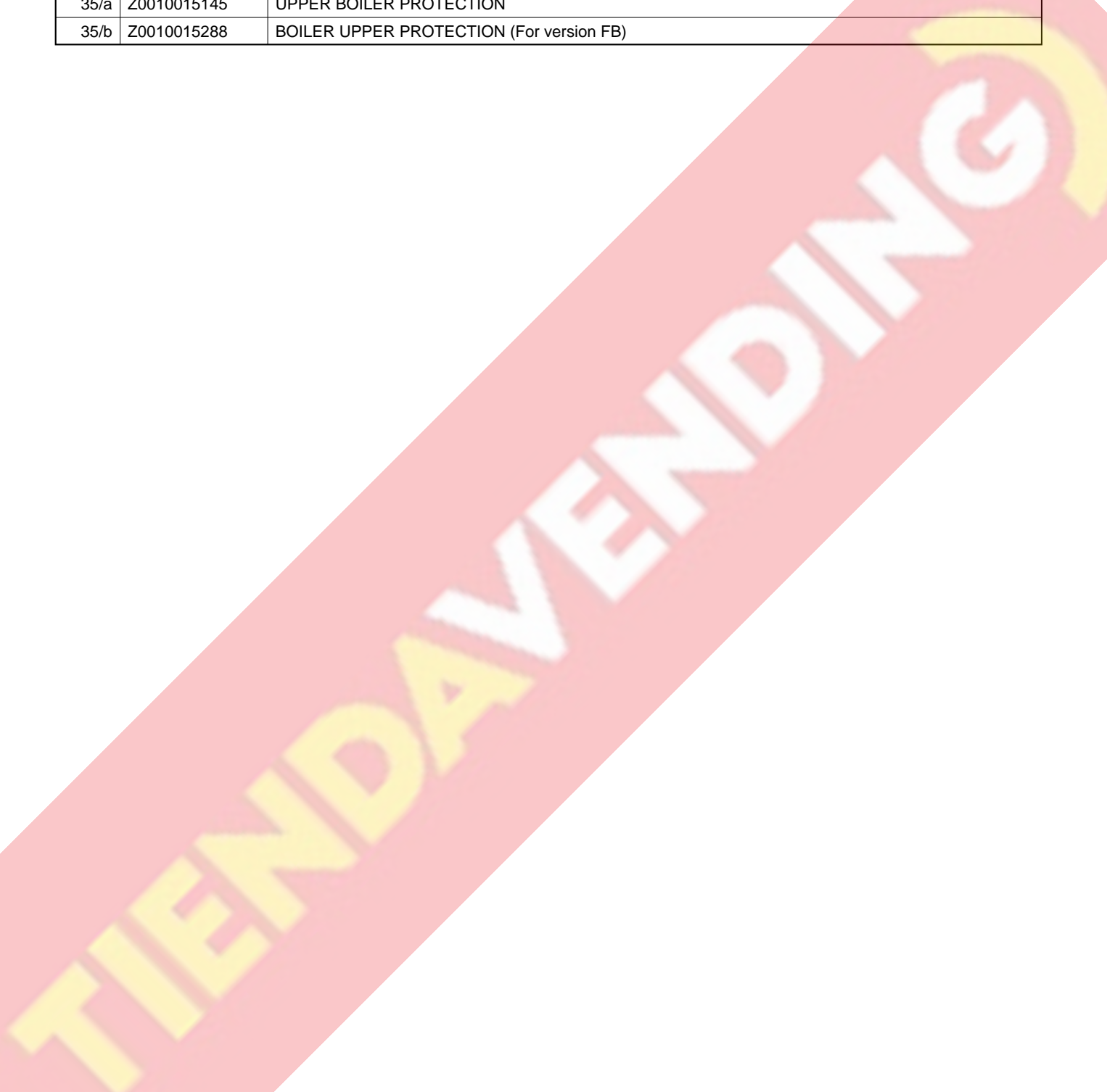


# spare parts manual

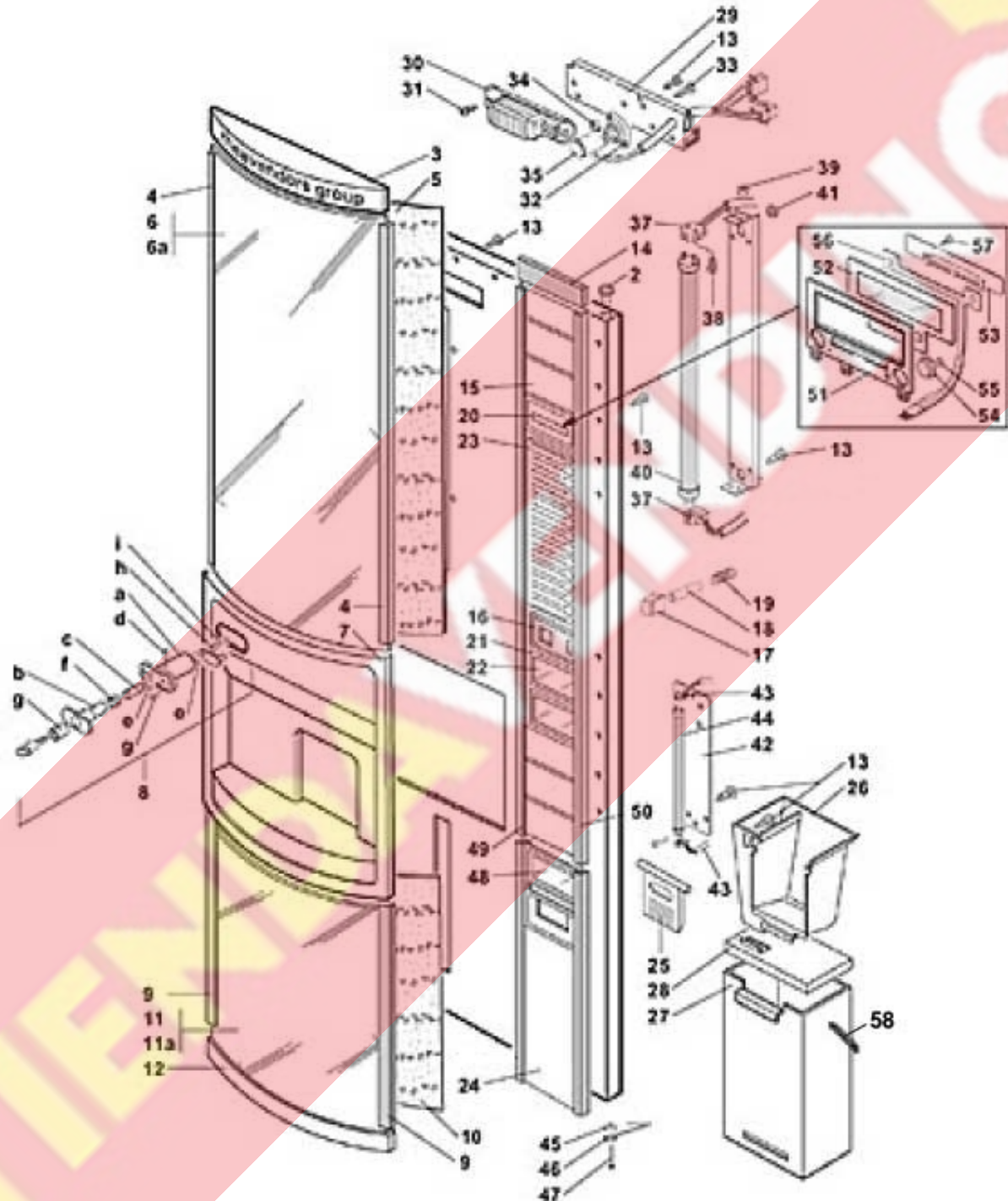


cabinet		
Pos.	Code	Description
1	Z0010015105NA	CABINET RAL 9005
2	Z0010013208	MACHINE FOOT
3	Z0020018061	SELECTION BUTTON PLUG
4	VIT0009102	NUT M6
5	Z0010013191AE	UPPER HINGE RAL 9010
5	Z0010013191NA	UPPER HINGE RAL 9005
5	Z0010013191CF	UPPER HINGE RAL 7016
5	Z0010013191CM	UPPER HINGE RAL 9006
6	VIT0000215	SCREW HEX HEAD M8X25
7	VIT0003402	SPRING WASHER 8,4
8	VIT0004506	NUT M8
9	Z0010018071	MACHINE FIXING PLATE
10	VIT0010702	DOWEL ZEBRA-SHARK 8X52
11	VIT0003303	WASHER 6,6X18X1,5
12	VIT0002022	5.5x 60 TAPPING TCB SCREW
13	VIT0000236	SCREW HEX HEAD M6X11
14	ELE0002410	CLAMP PA 244/C
15/a	ELE0055003CL	SUPPLY CABLE
15/b	ELE0055004CL	POWER LEAD-CH SOCKET
15/c	ELE0055006	POWER LEAD-GB SOCKET
15/d	ELE0055024CL	UL SUPPLY CABLE
16	Z0270011109CL	§ SERVICE KEY
17	ELE0002009	BIPOLAR SWITCH 15A 250V
18	Z0010018116	SAFETY SWITCH SUPPORT
19	VIT0003103	SPRING WASHER 4,3
20	VIT0000012	SCREW HEAD TAP CAP M4X10
21	Z0010015124	DOOR SUPPORT PLATE
22	VIT0000030	SCREW HEAD TAP CAP M4X7
23	NL202100278	LOWER LOCK PIN SECURING SQUARE
24/a	Z0010018115	BREWER HOUSING SUPPORT
24/b	Z0010015146	GROUP HOUSING SUPPORT
25		
26	Z0010015132NA	BOTTOM PROTECTION
27	CON0000201	BIN
28	Z0120004375NA	KICK PLATE BLACK
28	Z0120004375CF	KICK PLATE RAL7016
28	Z0120004375CM	KICK PLATE RAL9006
28	Z0120004375CH	KICK PLATE RAL7038
28	Z0120004375CG	KICK PLATE RAL7035
29	VIT0004503	NUT M4
30	VIT0009151	PIN M4
31	VIT0009152	WASHER
32/a	Z0010013181	PLATE
32/b	Z0010013183	2 WHEELS CONTAINERS SUPPORT
33/a	Z0010015143	LATERAL BOILER PROTECTION
33/b	Z0010015286	BOILER SIDE PROTECTION (For version FB)
34/a	Z0010015144	BOILER PROTECTION

cabinet		
34/b	Z0010015287	BOILER PROTECTION (For version FB)
35/a	Z0010015145	UPPER BOILER PROTECTION
35/b	Z0010015288	BOILER UPPER PROTECTION (For version FB)



external door closed station

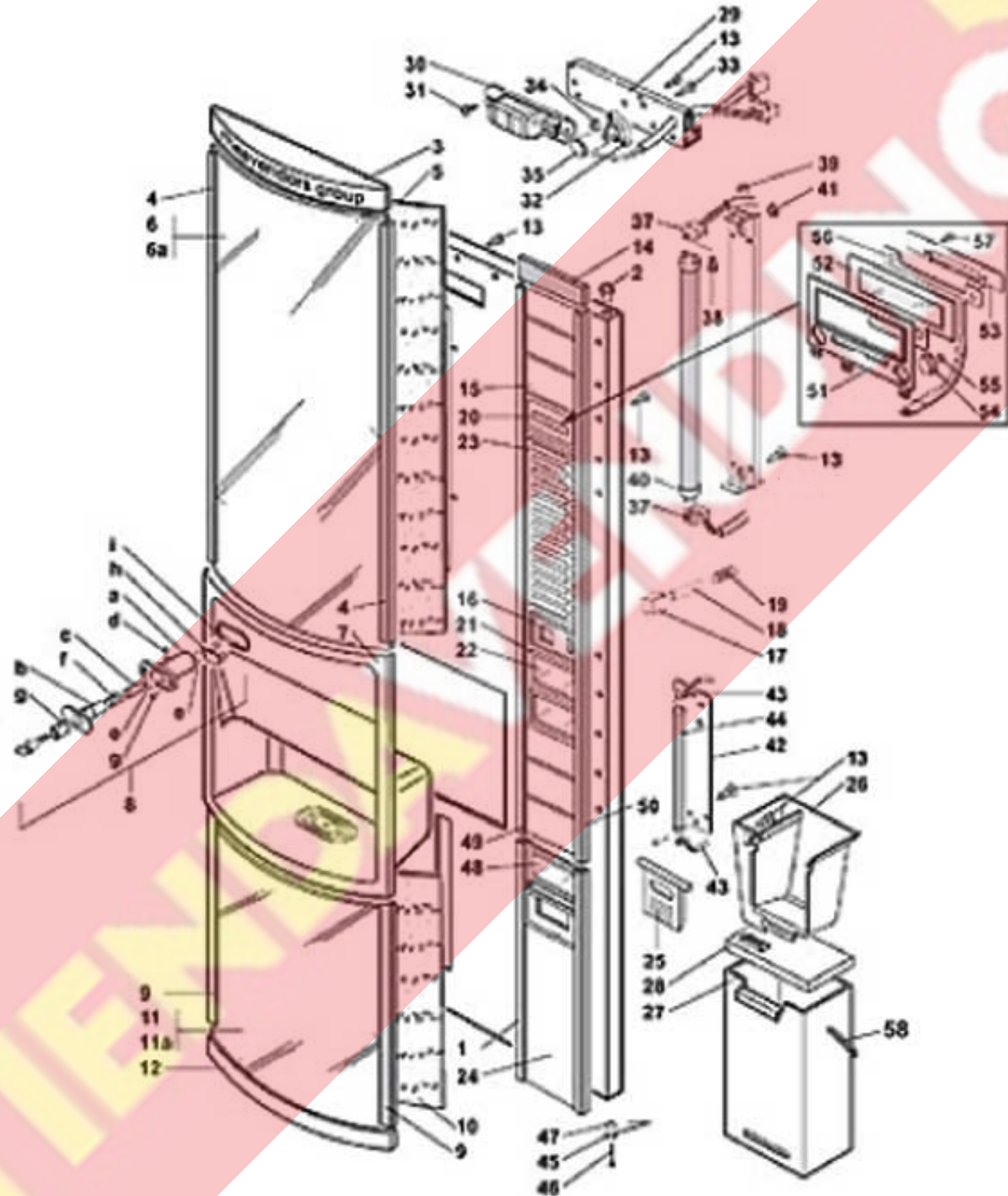


external door closed station		
Pos.	Code	Description
1	Z0020029505NA	DOOR RAL 9005
1	Z0020029505CM	DOOR RAL 9006
2	Z0020034156	DOOR HINGE BUSH
3/a	Z0020034322CG	UPPER BAND W/LOGO RAL7035
3/b	Z0020034322NA	UPPER BAND W/LOGO BLACK
4/a	Z0020034283CH	GRAP.PANEL UPPER FRAME RAL7038
4/b	Z0020034283NA	GRAP.PANEL UPPER FRAME BLACK
5	Z0020034293	UPPER PLEXIGLASS
6	Z0020029441	UPPER PHOTO PROTECTION
6/a	1010065457	UPPER GRAPHIC PANEL W/AMARETTI
7		See table cups stop closed station
8	1150003200CG	LOCK RAL7035
8	1150003200NA	LOCK BLACK
8	1150003200CM	LOCK RAL9006
8	1150003200CF	LOCK RAL7016
8	1150003200CF	LOCK RAL7016
8	1150003200CT	LOCK RAL9006OP
8	1150003200AE	LOCK RAL9010
8	1150003200DA	LOCK RAL9022
8/a	1150003126CG	LOCK SLEEVE
8/a	1150003126NA	SLEEVE BLACK
8/a	1150003126CF	LOCK SLEEVE
8/a	1150003126CM	SLEEVE 9006
8/a	1150003126CF	LOCK SLEEVE
8/a	1150003126CN	LOCK SLEEVE
8/a	1150003126DA	SLEEVE (RAL9022)
8/b	1150002112CG	SLEEVE RAL7035
8/b	1150002112NA	SLEEVE BLACK
8/b	1150002112CF	SLEEVE RAL7016
8/b	1150002112CH	SLEEVE RAL7038
8/b	1150002112CM	SLEEVE RAL9006
8/b	1150002112AE	SLEEVE RAL9010
8/b	1150002112CK	SLEEVE RAL7037
8/b	1150002112CN	SLEEVE RAL7032
8/b	1150002112KE	SLEEVE RAL3000
8/b	1150002112DA	SLEEVE RAL9022
8/c	1150002111	PIN
8/d	VIT0005203	DOWEL PIN 4X18
8/e	VIT0006508	RING 10
8/f	1150002113	SPRING
8/g	SER0000003	LOCK c.7851
8/h	Z0020029439	LOCK PLATE
8/i	VIT0000208	SCREW HEX HEAD M5X10
9/a	Z0020034295CG	GRAP.PANEL LOWER FRAME RAL7035
9/b	Z0020034295NA	GRAP.PANEL LOWER FRAME BLACK
10	Z0020029933	LOWER PLEXIGLASS
11	Z0020029442	LOWER PHOTO PROTECTION

external door closed station		
11/a	1010065459	LOWER GRAPHIC PANEL W/AMARETTI
12/a	Z0020034281CG	LOWER BAND RAL7035
12/b	Z0020034281NA	LOWER BAND BLACK
13	VIT0002401	SCREW ST HEAD CAP M3.5X9.5
14/a	Z0020034278CG	UPPER FR. MODULE PANEL RAL7035
14/b	Z0020034278NA	UPPER FR. MODULE PANEL BLACK
15/a	Z0020026341CG	MODULE RAL 7035
15/b	Z0020026341NA	MODULE RAL 9005
16/a	Z0020026343CG	COIN ENTRY PLATE RAL 7035
16/b	Z0020026343NA	COIN ENTRY PLATE RAL 9005
17	4050010072CK	COIN RETURN BUTTON RAL7037
18	Z0020034023	COIN RETURN PIN
19	4050010074	COIN RETURN BUTTON SPRING
20/a	Z0020029454CG	PLEXIGLASS DISPLAY RAL 7035 For old electronic version
20/b	Z0020029611CG	PLEXIGLASS DISPLAY RAL 7035 For new electronic version
20/c	Z0020029611CF	PLEXIGLASS DISPLAY RAL 7016 For new electronic version
20/d	Z0020029611CI	PLEXIGLASS DISPLAY RAL 7042 For new electronic version
21/a	Z0020026342CG	INSTRUCTION MODULE RAL 7035
21/b	Z0020026342NA	INSTRUCTION MODULE RAL 9005
22	Z0020029457	COIN RETURN PLEXIGLASS
23		See table KEYBOARD
24/a	Z0020034279CG	LOWER FR. MODULE PANEL RAL7035
24/b	Z0020034279NA	LOWER FR. MODULE PANEL BLACK
25	Z0020018162CK	COIN RETURN FLAP RAL 7037
26	Z0020029444CK	COIN CHUTE RAL 7037
27	Z0030006105R	§ COIN BOX+ HOOK
28/a	Z0030006004R	§ COINS BOX COVER+LOCK
28/b	Z0020029754	COIN BOX LID
29	Z0020029427	ELECTRICAL COMPONENT SUPPORT
30	ELE0009105	220 V 30 W BALLAST
31	VIT0002002	SCREW ST HEAD CAP M3.5X6.5
32	ELE0009102	BALLAST HOLDER
33	VIT0000014	SCREW HEAD TAP CAP M4X16
34	VIT0004503	NUT M4
35	ELE0009109	BALLAST 4/65W
37	ELE0009101	LAMP HOLDER
38	VIT0000006	SCREW HEAD TAP CAP M3X16
39	VIT0004701	NUT M3
40	ELE0009017	LAMP F.18 T8
41	GUA0010501	ELECTRICAL GROMMET DG 7,5
42	Z0020029112	CLOSING METAL PLATE
43	ELE0009107	NEON LAMP HOLDER
44	ELE0009018	LAMP F8W-CW-T5
45	Z0020034172	DOOR STOP
46	Z0020034173	DOOR STOP IN
47	VIT0007102	BENZING CLIP
48	Z0020029457	COIN RETURN PLEXIGLASS
49	Z0020029422CG	LEFT MOUNTING PLATE R.7035
49	Z0020029422NA	LEFT MOUNTING PLATE R.9005

external door closed station		
49	Z0020029422KF	LEFT MOUNTING PLATE R.3003
49	Z0020029422CM	LEFT MOUNTING PLATE R.9006
50	Z0020029423CG	RIGHT MOUNTING PLATE R.7035
50	Z0020029423NA	RIGHT MOUNTING PLATE R.9005
50	Z0020029423KF	RIGHT MOUNTING PLATE R.3003
50	Z0020029423CM	RIGHT MOUNTING PLATE R.9006
51	Z0020029626CF	DISPLAY MODULE RAL 7016
51	Z0020029626CG	DISPLAY MODULE RAL 7035
51	Z0020029626CK	DISPLAY MODULE RAL 7037
51	Z0020029626CS	DISPLAY MODULE 237
51	Z0020029626NA	DISPLAY MODULE RAL 9005
52	Z0020029631NA	PLEXIGLASS DISPLAY RAL 9005
53	Z0020029629	KEYPAD SUPPORT LOWER
54	Z0020034305AB	SELECTION BUTTON RAL9016
54	Z0020034305CG	SELECTION BUTTON RAL7035
54	Z0020034305CK	SELECTION BUTTON RAL7037
54	Z0020034305CP	SELECTION BUTTON RAL7040
54	Z0020034305IC	SELECTION BUTTON RAL2011
55	Z0020034311	SPRING
56	Z0020029630	KEYPAD 2 SUGAR BUTTON
57	VIT0002401	SCREW ST HEAD CAP M3.5X9.5
58	4060010113	COIN BOX HOOK
100	Z0030006100R	§ COIN BOX+LID
101	Z0020029503R	BLACK DOOR ASSEMBLY



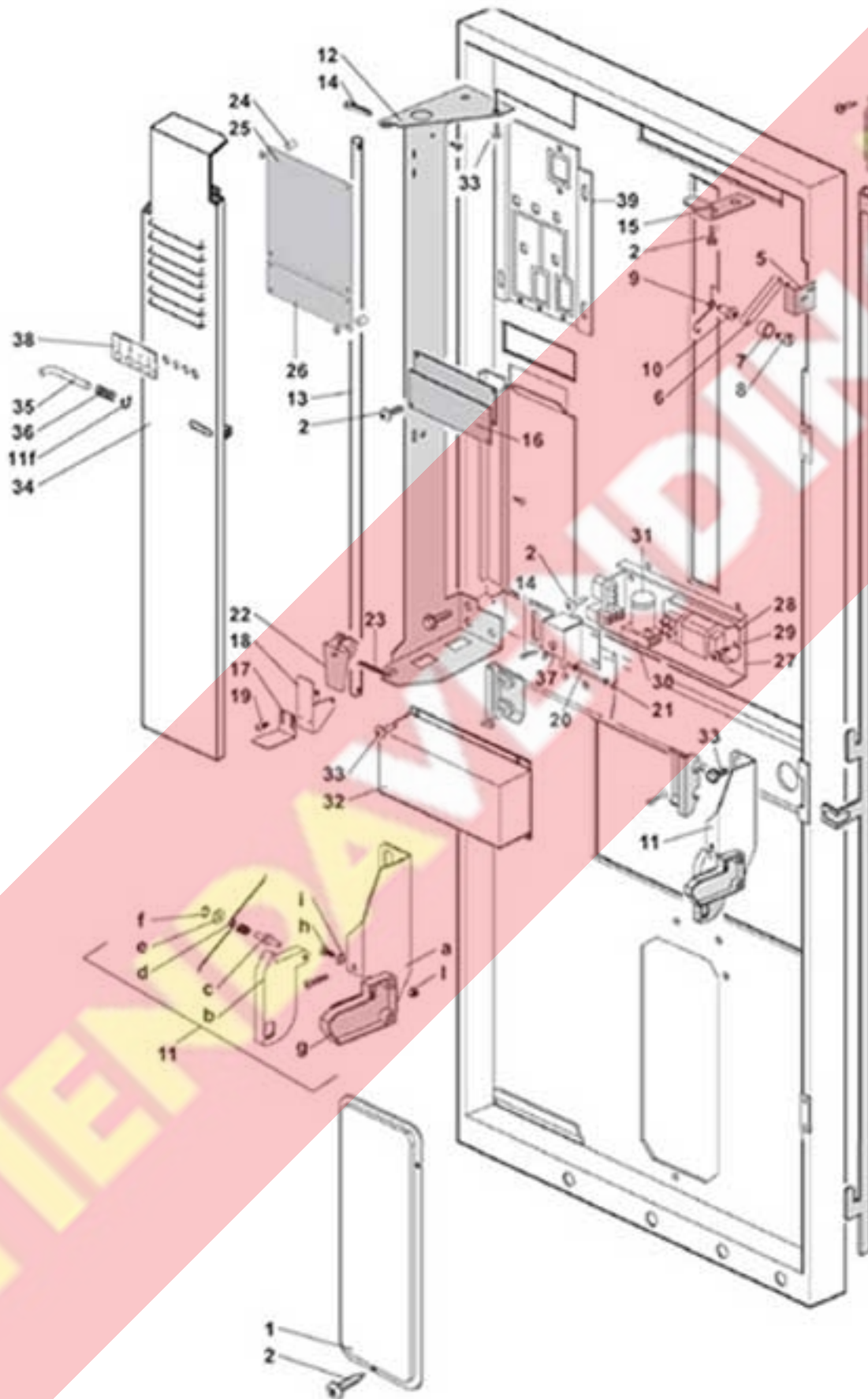


external door open station		
Pos.	Code	Description
2	Z0020034156	DOOR HINGE BUSH
3/a	Z0020034322CG	UPPER BAND W/LOGO RAL7035
3/b	Z0020034322NA	UPPER BAND W/LOGO BLACK
4/a	Z0020034283CH	GRAP.PANEL UPPER FRAME RAL7038
4/b	Z0020034283NA	GRAP.PANEL UPPER FRAME BLACK
5	Z0020034293	UPPER PLEXIGLASS
6	Z0020029441	UPPER PHOTO PROTECTION
6/a	1010065457	UPPER GRAPHIC PANEL W/AMARETTI
7		See table cups stop open station
8	1150003200CG	LOCK RAL7035
8	1150003200NA	LOCK BLACK
8	1150003200CM	LOCK RAL9006
8	1150003200CF	LOCK RAL7016
8	1150003200CF	LOCK RAL7016
8	1150003200CT	§LOCK RAL9006OP
8	1150003200AE	LOCK RAL9010
8	1150003200DA	LOCK RAL9022
8/a	1150003126CG	LOCK SLEEVE
8/a	1150003126NA	SLEEVE BLACK
8/a	1150003126CF	LOCK SLEEVE
8/a	1150003126CM	SLEEVE 9006
8/a	1150003126CF	LOCK SLEEVE
8/a	1150003126CN	LOCK SLEEVE
8/a	1150003126DA	SLEEVE (RAL9022)
8/b	1150002112CG	SLEEVE RAL7035
8/b	1150002112NA	SLEEVE BLACK
8/b	1150002112CF	SLEEVE RAL7016
8/b	1150002112CH	SLEEVE RAL7038
8/b	1150002112CM	SLEEVE RAL9006
8/b	1150002112AE	SLEEVE RAL9010
8/b	1150002112CK	SLEEVE RAL7037
8/b	1150002112CN	SLEEVE RAL7032
8/b	1150002112KE	SLEEVE RAL3000
8/b	1150002112DA	SLEEVE RAL9022
8/c	1150002111	PIN
8/d	VIT0005203	DOWEL PIN 4X18
8/e	VIT0006508	RING 10
8/f	1150002113	SPRING
8/g	SER0000003	LOCK c.7851
8/h	Z0020029439	LOCK PLATE
8/i	VIT0000208	SCREW HEX HEAD M5X10
9/a	Z0020034295CG	GRAP.PANEL LOWER FRAME RAL7035
9/b	Z0020034295NA	GRAP.PANEL LOWER FRAME BLACK
10	Z0020029933	LOWER PLEXIGLASS
11	Z0020029442	LOWER PHOTO PROTECTION
11/a	1010065459	LOWER GRAPHIC PANEL W/AMARETTI
12/a	Z0020034281CG	LOWER BAND RAL7035

external door open station		
12/b	Z0020034281NA	LOWER BAND BLACK
13	VIT0002401	SCREW ST HEAD CAP M3.5X9.5
14/a	Z0020034278CG	UPPER FR. MODULE PANEL RAL7035
14/b	Z0020034278NA	UPPER FR. MODULE PANEL BLACK
15/a	Z0020026341CG	MODULE RAL 7035
15/b	Z0020026341NA	MODULE RAL 9005
16/a	Z0020026343CG	COIN ENTRY PLATE RAL 7035
16/b	Z0020026343NA	COIN ENTRY PLATE RAL 9005
17	4050010072CK	COIN RETURN BUTTON RAL7037
18	Z0020034023	COIN RETURN PIN
19	4050010074	COIN RETURN BUTTON SPRING
21/a	Z0020026342CG	INSTRUCTION MODULE RAL 7035
20/a	Z0020022673NA	PLEXIGLASS DISPLAY RAL 9005 For old electronic version
21/b	Z0020026342NA	INSTRUCTION MODULE RAL 9005
20/b	Z0020022673CF	PLEXIGLASS DISPLAY RAL 7016 For old electronic version
22	Z0020029457	COIN RETURN PLEXIGLASS
20/c	Z0020022673CI	PLEXIGLASS DISPLAY RAL 7042 For old electronic version
23		See table KEYBOARD
20/d	Z0020029454CG	PLEXIGLASS DISPLAY RAL 7035 For old electronic version
24/a	Z0020034279CG	LOWER FR. MODULE PANEL RAL7035
20/e	Z0020029611CG	PLEXIGLASS DISPLAY RAL 7035 For new electronic version
24/b	Z0020034279NA	LOWER FR. MODULE PANEL BLACK
20/f	Z0020029611CF	PLEXIGLASS DISPLAY RAL 7016 For new electronic version
25/a	Z0020018162CK	COIN RETURN FLAP RAL 7037
20/g	Z0020029611CI	PLEXIGLASS DISPLAY RAL 7042 For new electronic version
25/b	Z0020018162CF	COIN RETURN FLAP RAL 7016
25/b	Z0020018162CK	COIN RETURN FLAP RAL 7037
25/b	Z0020018162CP	COIN RETURN FLAP RAL 7040
25/b	Z0020018162GC	COIN RETURN HATCG YELLOW
25/b	Z0020018162GD	COIN RETURN FLAP 154871
25/b	Z0020018162KA	COINS RETURN FLAP RAL 3020
25/b	Z0020018162NA	COIN RETURN FLAP RAL 9005
26	Z0020029444CK	COIN CHUTE RAL 7037
27	Z0030006105R	§ COIN BOX+ HOOK
28/a	Z0030006004R	§ COINS BOX COVER+LOCK
28/b	Z0020029754	COIN BOX LID
29	Z0020029427	ELECTRICAL COMPONENT SUPPORT
30	ELE0009105	220 V 30 W BALLAST
31	VIT0002002	SCREW ST HEAD CAP M3.5X6.5
32	ELE0009102	BALLAST HOLDER
33	VIT0000014	SCREW HEAD TAP CAP M4X16
34	VIT0004503	NUT M4
35	ELE0009109	BALLAST 4/65W
37	ELE0009101	LAMP HOLDER
38	VIT0000006	SCREW HEAD TAP CAP M3X16
39	VIT0004701	NUT M3
40	ELE0009017	LAMP F.18 T8
41	GUA0010501	ELECTRICAL GROMMET DG 7,5
42	Z0020029112	CLOSING METAL PLATE

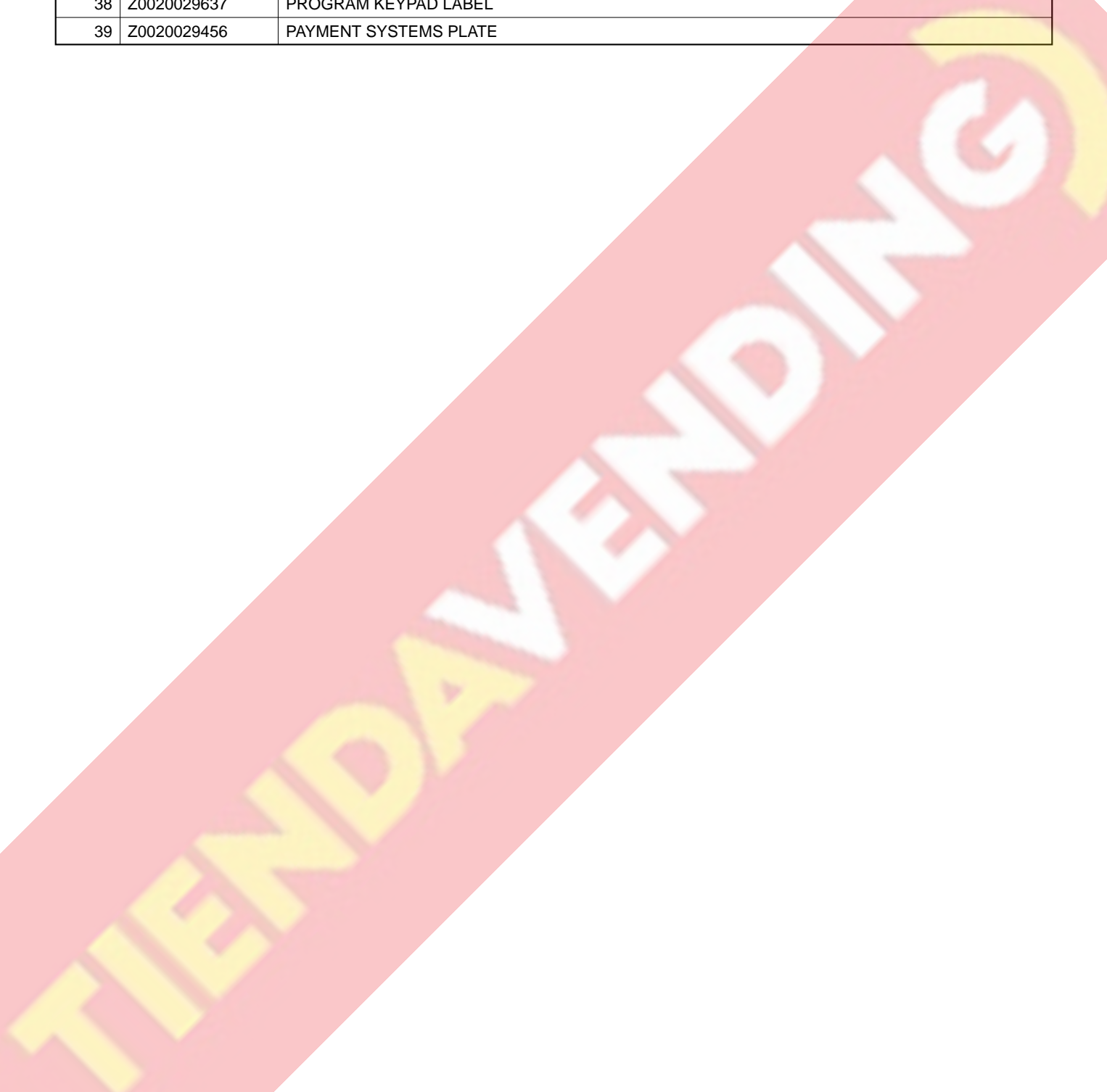
external door open station		
43	ELE0009107	NEON LAMP HOLDER
44	ELE0009018	LAMP F8W-CW-T5
45	Z0020034172	DOOR STOP
46	Z0020034173	DOOR STOP IN
47	VIT0007102	BENZING CLIP
48	Z0020029457	COIN RETURN PLEXIGLASS
49	Z0020029422CG	LEFT MOUNTING PLATE R.7035
49	Z0020029422NA	LEFT MOUNTING PLATE R.9005
49	Z0020029422KF	LEFT MOUNTING PLATE R.3003
49	Z0020029422CM	LEFT MOUNTING PLATE R.9006
50	Z0020029423CG	RIGHT MOUNTING PLATE R.7035
50	Z0020029423NA	RIGHT MOUNTING PLATE R.9005
50	Z0020029423KF	RIGHT MOUNTING PLATE R.3003
50	Z0020029423CM	RIGHT MOUNTING PLATE R.9006
51	Z0020029626CF	DISPLAY MODULE RAL 7016
51	Z0020029626CG	DISPLAY MODULE RAL 7035
51	Z0020029626CK	DISPLAY MODULE RAL 7037
51	Z0020029626CS	DISPLAY MODULE 237
51	Z0020029626NA	DISPLAY MODULE RAL 9005
52	Z0020029631NA	PLEXIGLASS DISPLAY RAL 9005
53	Z0020029629	KEYPAD SUPPORT LOWER
54	Z0020034305AB	SELECTION BUTTON RAL9016
54	Z0020034305CG	SELECTION BUTTON RAL7035
54	Z0020034305CK	SELECTION BUTTON RAL7037
54	Z0020034305CP	SELECTION BUTTON RAL7040
54	Z0020034305IC	SELECTION BUTTON RAL2011
55	Z0020034311	SPRING
56	Z0020029630	KEYPAD 2 SUGAR BUTTON
57	VIT0002401	SCREW ST HEAD CAP M3.5X9.5
58	4060010113	COIN BOX HOOK
100	Z0030006100R	§ COIN BOX+LID
101	Z0020029503R	BLACK DOOR ASSEMBLY

Lighted Door closed station

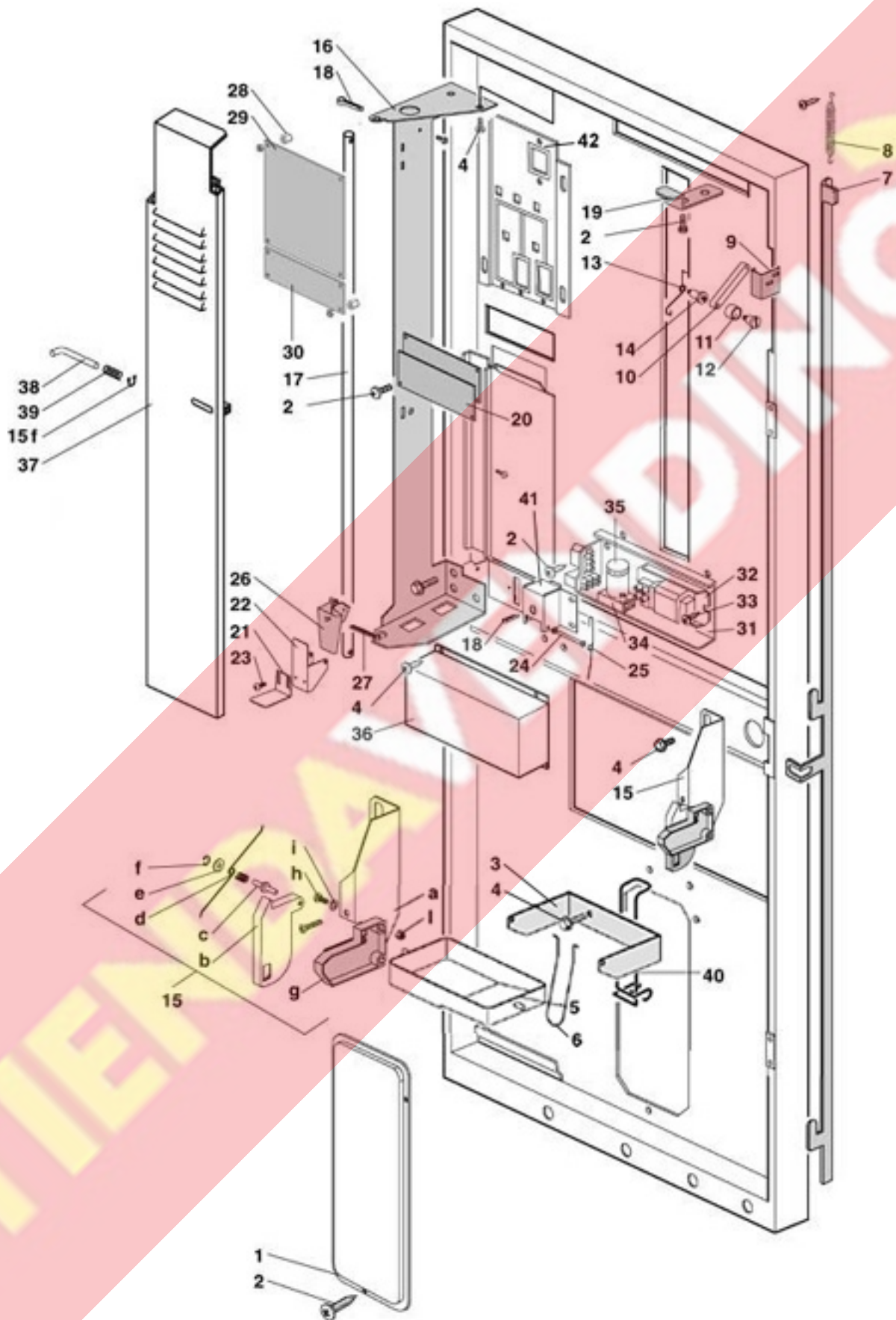


Lighted Door closed station		
Pos.	Code	Description
1	Z0020029432	LOWER LAMP COVER
2	VIT0002401	SCREW ST HEAD CAP M3.5X9.5
3	Z0020029437	LOCK SHAFT
4	2100002007	CUP LOADER SPRING
5	NL202100275	LOCK PLATE UPPER
6	Z0010018026	DOOR CENTERING LEVER
7	Z0010015125	PIN BEARING
8	Z0010018028	PIN BEARING
9	NL202100285	SPRING
10	NL202100276	DOOR PIN
11	Z0020022626R	HOOK
11/a	Z0020022626	CUP LOADER SUPPORT
11/b	Z0020018227NA	CUP DISPENSER HOOK
11/c	Z0020018234	PIN
11/d	Z0020018237	SPRING
11/e	VIT0003004	WASHER 5,3X10X1
11/f	VIT0006502	RING 3.2
11/g	Z0020018241	SUPPORT PLATE
11/h	VIT0000003	SCREW HEAD TAP CAP M3X8
11/i	VIT0003102	SPRING WASHER 3,2
11/l	VIT0004502	NUT M3
12	Z0020029434CK	CUP DISPENSER SUPPORT
13	Z0180011818	CUPS LOADER HINGE PIN
14	VIT0006004	COTTER PIN 1,6X15
15	Z0270011452	BRACKET
16	see tab. 26	
17	Z0020026322	LOWER BRACKET
18	Z0020034025	UPPER BRACKET
19	VIT0000030	SCREW HEAD TAP CAP M4X7
20	Z0020034187	PIN
21	Z0020005013	COIN REJECT BUTTON SPRING
22	Z0020034045NA	
23	VIT0007005	DUO-CLIPSE 4 PLATE
24	Z0020018125	SPACER
25		See table new electronic control and power logic
26		See table new electronic control and power logic
27	Z0020029429	ELECTRIC COMPONENTS LOWER SUPP
28	ELE0009116	BALLAST 220V 0,17A
29	VIT0002002	SCREW ST HEAD CAP M3.5X6.5
30	ELE0009108	BALLAST HOLDER
31	ELE0009109	BALLAST 4/65W
32	Z0020029433	ELECTRIC OMPONENTS PROTECTION
33	VIT0000236	SCREW HEX HEAD M6X11
34/a	Z0020029612CK	PAYM SYSTEM PROTECTION 7037
34/b	Z0020029612CK	PAYM SYSTEM PROTECTION 7037
35	Z0020026335	PLATE
36	4001003301	SPRING

Lighted Door closed station		
37	Z0020029294	COIN MODULE PLATE
38	Z0020029637	PROGRAM KEYPAD LABEL
39	Z0020029456	PAYMENT SYSTEMS PLATE



Lighted Door open station

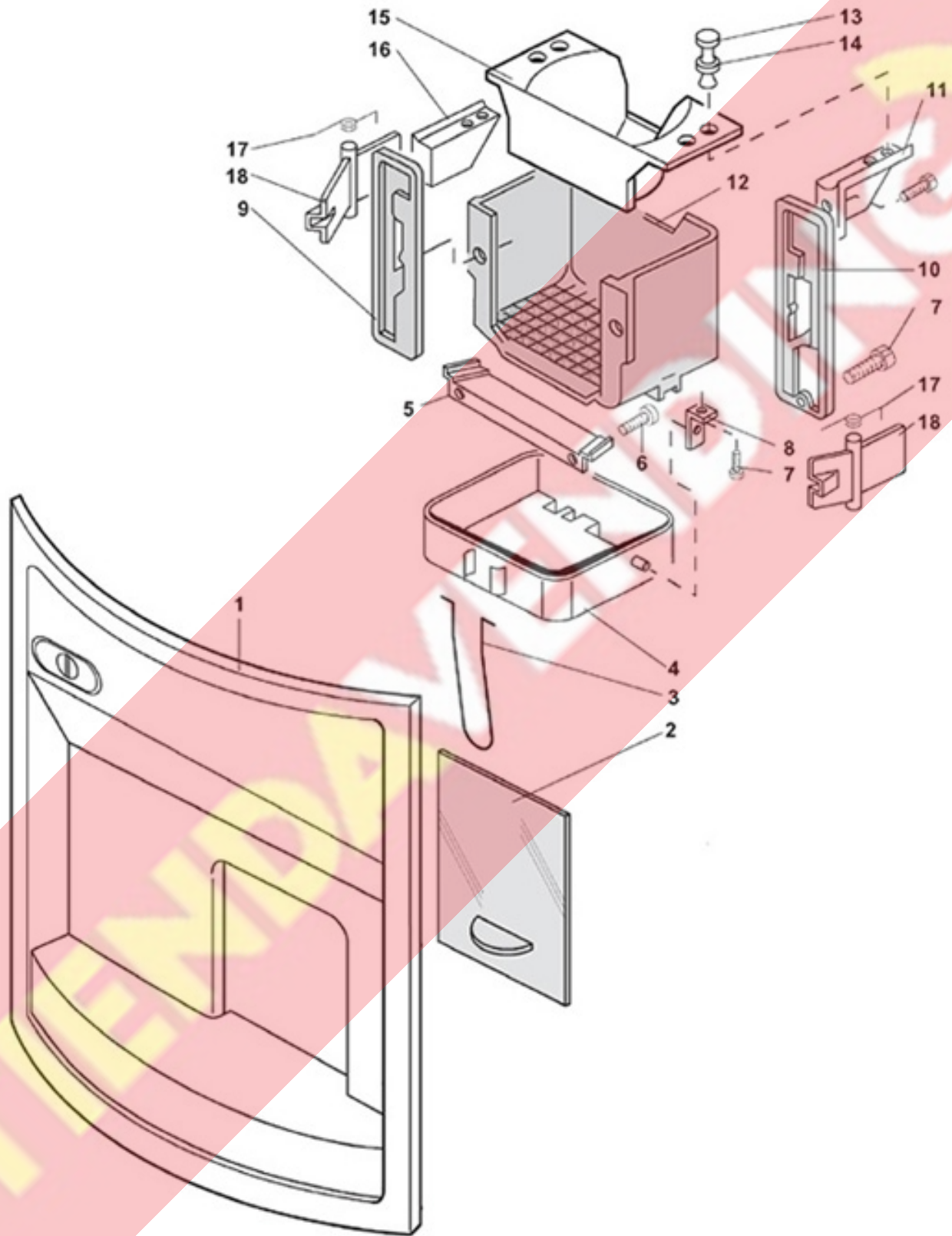




Lighted Door open station		
Pos.	Code	Description
1	Z0020029432	LOWER LAMP COVER
2	VIT0002401	SCREW ST HEAD CAP M3.5X9.5
3	Z0150001103	FEEDER SUPPORT
4	VIT0000236	SCREW HEX HEAD M6X11
5	Z0150001104NA	DRIP TRAY BLACK
6	Z0150001105	DRIP TRAY SPRING
7	Z0020029437	LOCK SHAFT
8	2100002007	CUP LOADER SPRING
9	NL202100275	LOCK PLATE UPPER
10	Z0010018026	DOOR CENTERING LEVER
11	Z0010015125	PIN BEARING
12	Z0010018028	PIN BEARING
13	NL202100285	SPRING
14	NL202100276	DOOR PIN
15	Z0020022626R	HOOK
15/a	Z0020022626	CUP LOADER SUPPORT
15/b	Z0020018227NA	CUP DISPENSER HOOK
15/c	Z0020018234	PIN
15/d	Z0020018237	SPRING
15/e	VIT0003004	WASHER 5,3X10X1
15/f	VIT0006502	RING 3.2
15/g	Z0020018241	SUPPORT PLATE
15/h	VIT0000003	SCREW HEAD TAP CAP M3X8
15/i	VIT0003102	SPRING WASHER 3,2
15/l	VIT0004502	NUT M3
16	Z0020029434CK	CUP DISPENSER SUPPORT
17	Z0180011818	CUPS LOADER HINGE PIN
18	VIT0006004	COTTER PIN 1,6X15
19	Z0270011452	BRACKET
20	see tab. 26	
21	Z0020026322	LOWER BRACKET
22	Z0020034025	UPPER BRACKET
23	VIT0000030	SCREW HEAD TAP CAP M4X7
24	Z0020034187	PIN
25	Z0020005013	COIN REJECT BUTTON SPRING
26	Z0020034045NA	
27	VIT0007005	DUO-CLIPSE 4 PLATE
28	Z0020029113	CPU BOARD SPACER
29		See table control and power logic
30		See table control and power logic
31	Z0020029429	ELECTRIC COMPONENTS LOWER SUPP
32	ELE0009116	BALLAST 220V 0,17A
33	VIT0002002	SCREW ST HEAD CAP M3.5X6.5
34	ELE0009108	BALLAST HOLDER
35	ELE0009109	BALLAST 4/65W
36	Z0020029433	ELECTRIC OMONENTS PROTECTION
37/a	Z0020029612CK	PAYM SYSTEM PROTECTION 7037

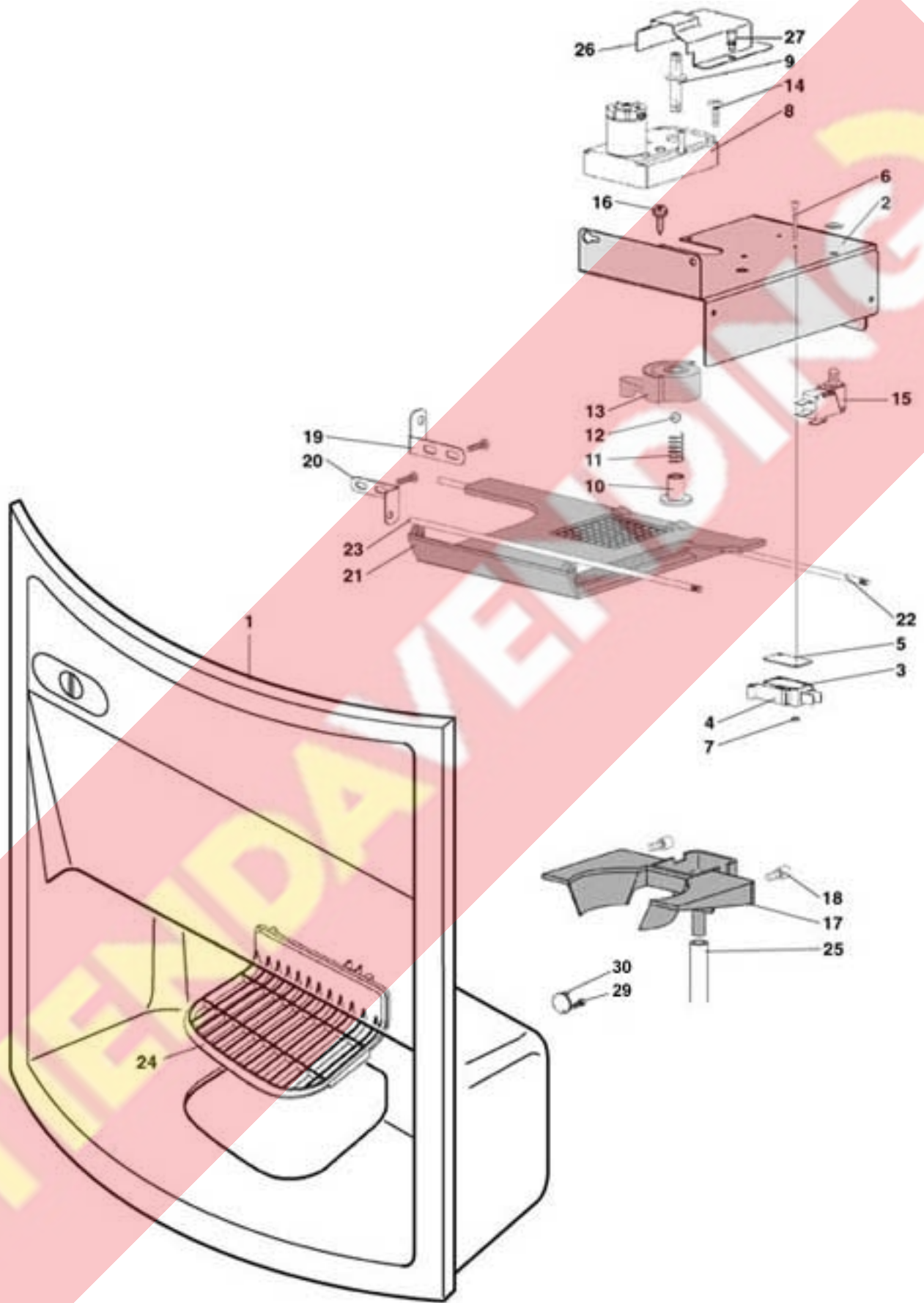
Lighted Door open station		
37/b	Z0020029612CK	PAYM SYSTEM PROTECTION 7037
38	Z0020026335	PLATE
39	4001003301	SPRING
40	Z0150001102	SPRING
41	Z0020029294	COIN MODULE PLATE
42	Z0020029456	PAYMENT SYSTEMS PLATE
43	Z0020029637	PROGRAM KEYPAD LABEL

cups stop closed station



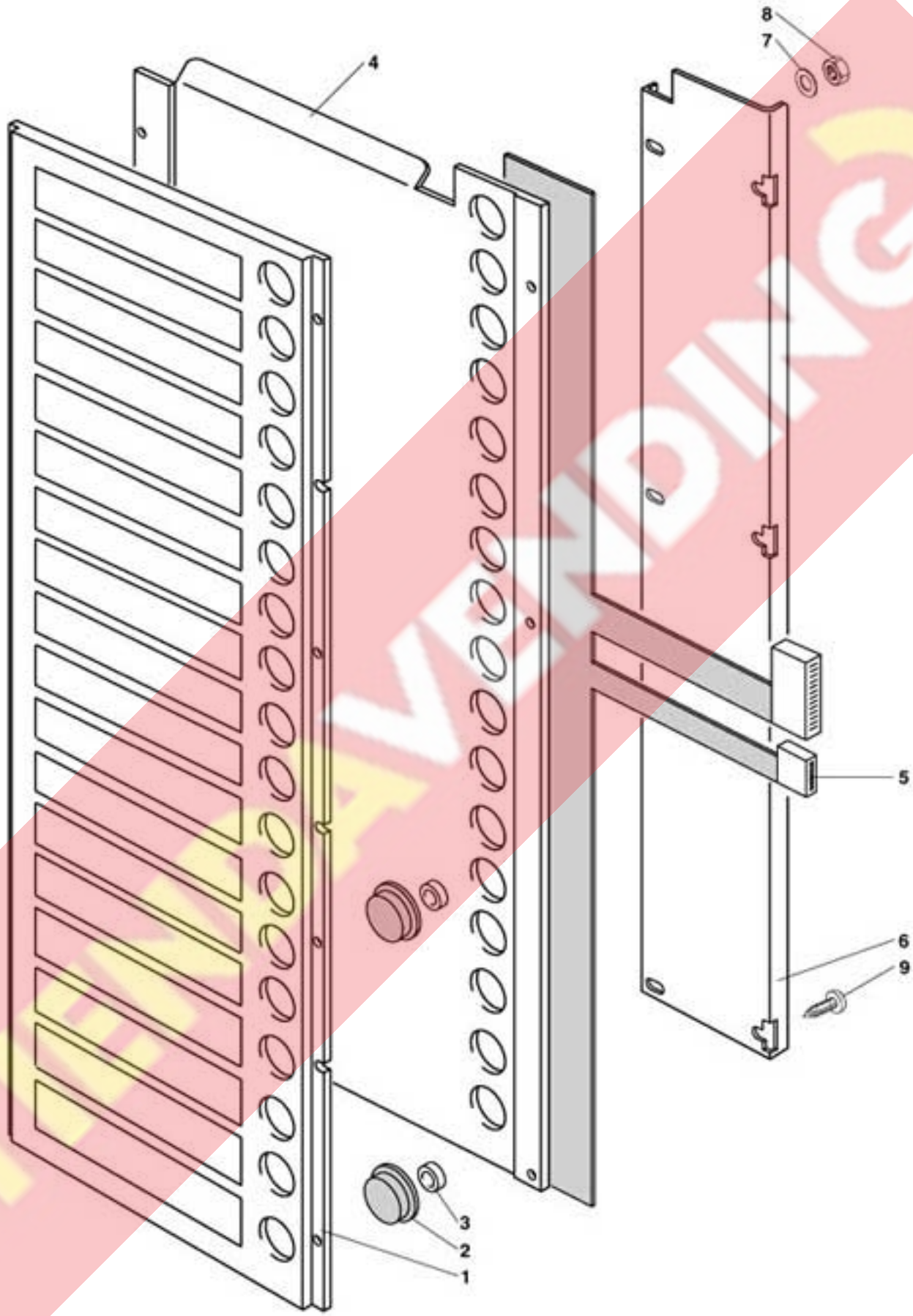
cups stop closed station		
Pos.	Code	Description
1	Z0400008433CG	CUPS STATION FRAME RAL7035
1	Z0400008433CH	CUPS STATION FRAME RAL7038
1	Z0400008433CM	CUPS STATION FRAME RAL9006
1	Z0400008433NA	CUPS STATION FRAME BLACK
2	Z0400008009/2	CUP STATION FLAP
3	Z0150001053	DRIP TRAY SPRING
4	Z0150001052NA	FUNNEL BLACK
5	Z0150001056	DRIP TRAY
6	VIT0002469	SCREW HEAD TAP M3.5X10
7	VIT0002001	SCREW ST HEAD CAP M2.9X6.5
8	Z0400008101NA	CHUTE SUPPORT BLACK
9	Z0400007027NA	R.H. CUP STAT. PLATE BLACK
10	Z0400007014NA	L.H. CUP STAT. PLATE BLACK
11	Z0400006026NA	LEFT BRACKET BLACK
12	Z0400007003NA	CUPS STATION FRAME BLACK
13	VIT0007104R	§ BUSH+BUTTON
14	VIT0007104R	§ BUSH+BUTTON
15	Z0400006033NA	CUP SUPPORT BLACK
16	Z0400006011NA	RIGHT BRACKET BLACK
17	Z0400007021	SPRING
18	Z0400007017NA	BLOCK PLATE BLACK

cups stop open station



cups stop open station		
Pos.	Code	Description
1/a	Z0400008441CG	CUPS STATION FRAME RAL7035
1/a	Z0400008441CM	CUPS STATION FRAME RAL9006
1/a	Z0400008441NA	CUPS STATION FRAME BLACK
1/b	Z0400008818CF	CUPS STATION FRAME RAL7016
1/b	Z0400008818NA	CUPS STATION FRAME
2	Z0020022623	GEAR MOTOR SECURING PLATE
3	ELE0001522	MICROSWITCH
4	ELE0001906	MICROSWITCH LEVER
5	4600010014	SPACER
6	VIT0000104	M 3*16 TSP SCREW
7	VIT0004502	NUT M3
8	Z0090002109	GEAR MOTOR 24 RPM 24V DC
9	Z0020022678	MOTOR SHAFT
10	Z0020022672	GEAR MOTOR FLANGE
11	Z0020022674	SPRING
12	VIT0009306	CAM SPHERE
13	Z0020022624	CAM
14	VIT0000014	SCREW HEAD TAP CAP M4X16
15	ELE0001506	MICROSWITCH
16	VIT0000035	SCREW HEAD TAP CAP M4X20
17	Z0020029458NA	CUP DISPENSER SUPPORT
18	Z0020034188	FIXING SCREW
19	Z0020022644	LOWER PIN SUPPORT
20	Z0020022635	UPPER PIN SUPPORT
21	Z0020022616NA	CUPS ROOM LOCK
22	Z0020022647	LOWER GUIDE PIN
23	Z0020022634	CLOSING GUIDE PIN
24/a	Z0400008442NA	CUP STATION GRID BLACK
24/b	Z0400008823NA	GRID BLACK
25	TSIL10/14T	SILICON HOSE 10X14
26	Z0020029431	GEARBOX MOTOR PLATE
27/a	VIT0007104R	§ BUSH+BUTTON
27/b	VIT0007104R	§ BUSH+BUTTON
29	Z0020029509	SCREW
30	Z0260010104	STOP DISK
100		(from pos.2 to pos.15)

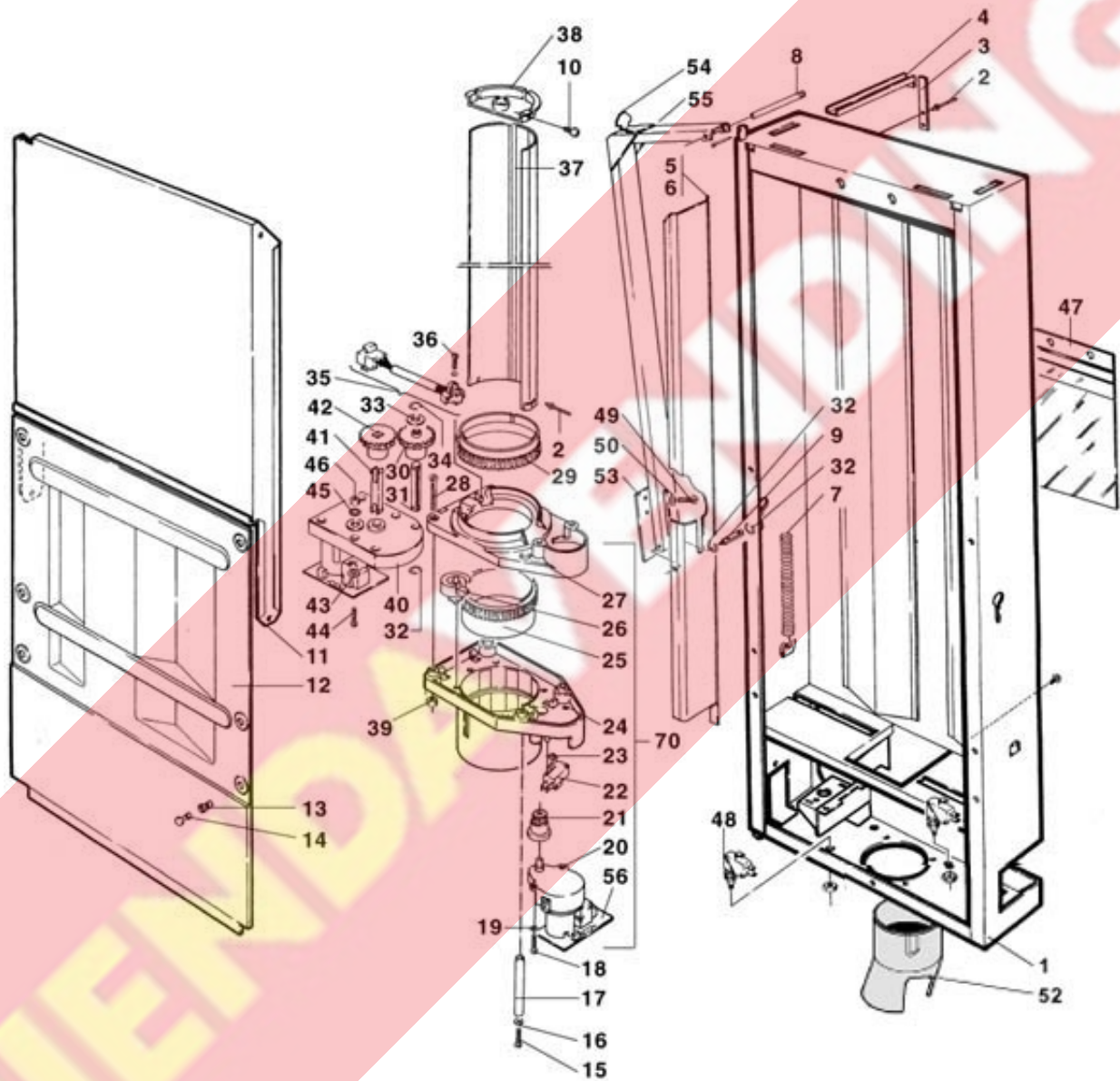
KEYBOARD



KEYBOARD		
Pos.	Code	Description
1/a	Z0020029408KF	PLEXIGLASS BUTTON RAL 3003
1/b	Z0020029408NA	PLEXIGLASS BUTTON RAL 9005
1/c	Z0020029408CS	PLEXIGLASS BUTTON 237
2/a	Z0020034305AB	SELECTION BUTTON RAL9016
2/b	Z0020034305CK	SELECTION BUTTON RAL7037
3	Z0020034311	SPRING
4	Z0020029634	BUTTONS PLATE
5	Z0020029636	KEYPAD 18 BUTTON
6	Z0020029409	KEYPAD SUPPORT
7	VIT0003301	WASHER 4,3X12X1,5
8	VIT0004503	NUT M4
9	VIT0002002	SCREW ST HEAD CAP M3.5X6.5

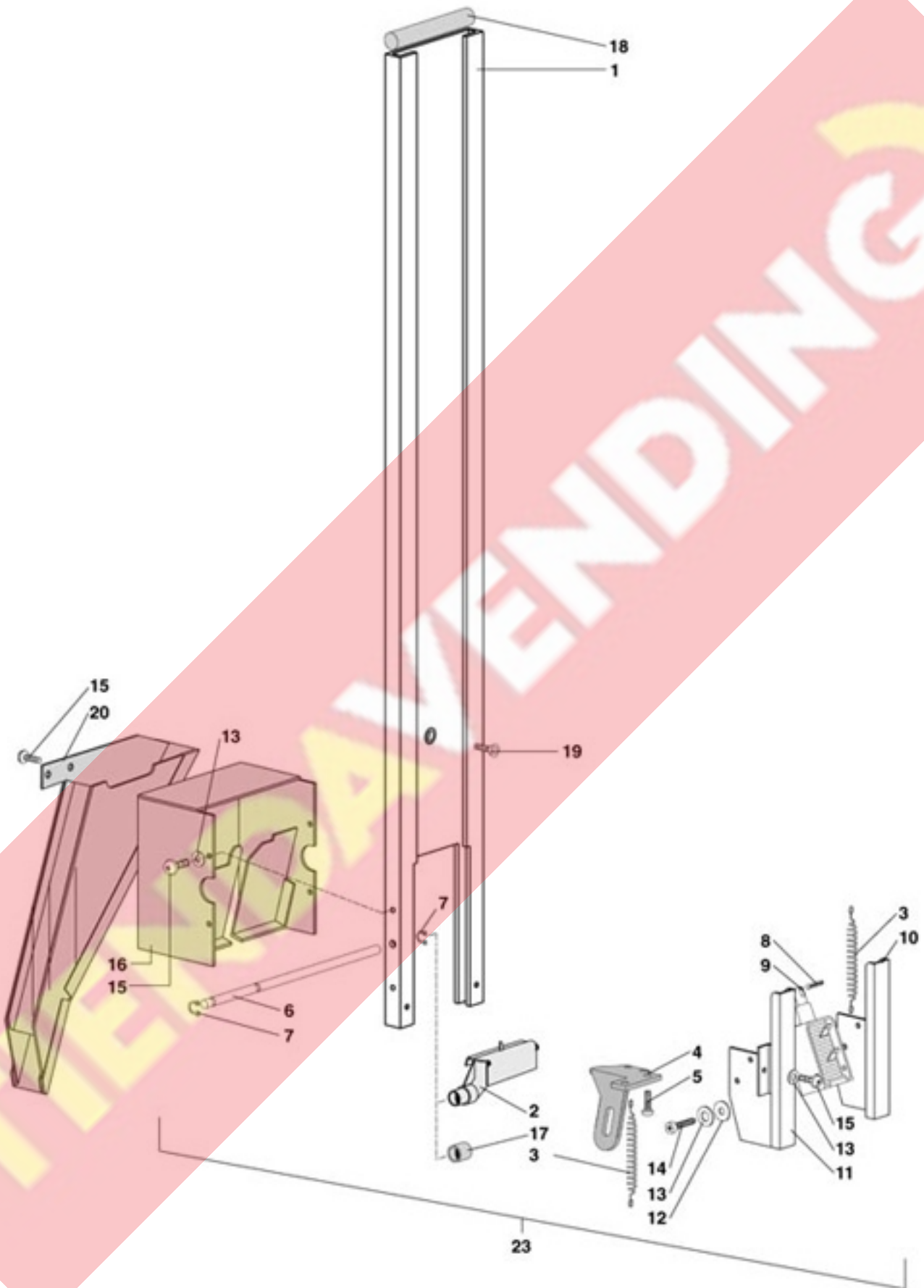


cups loader

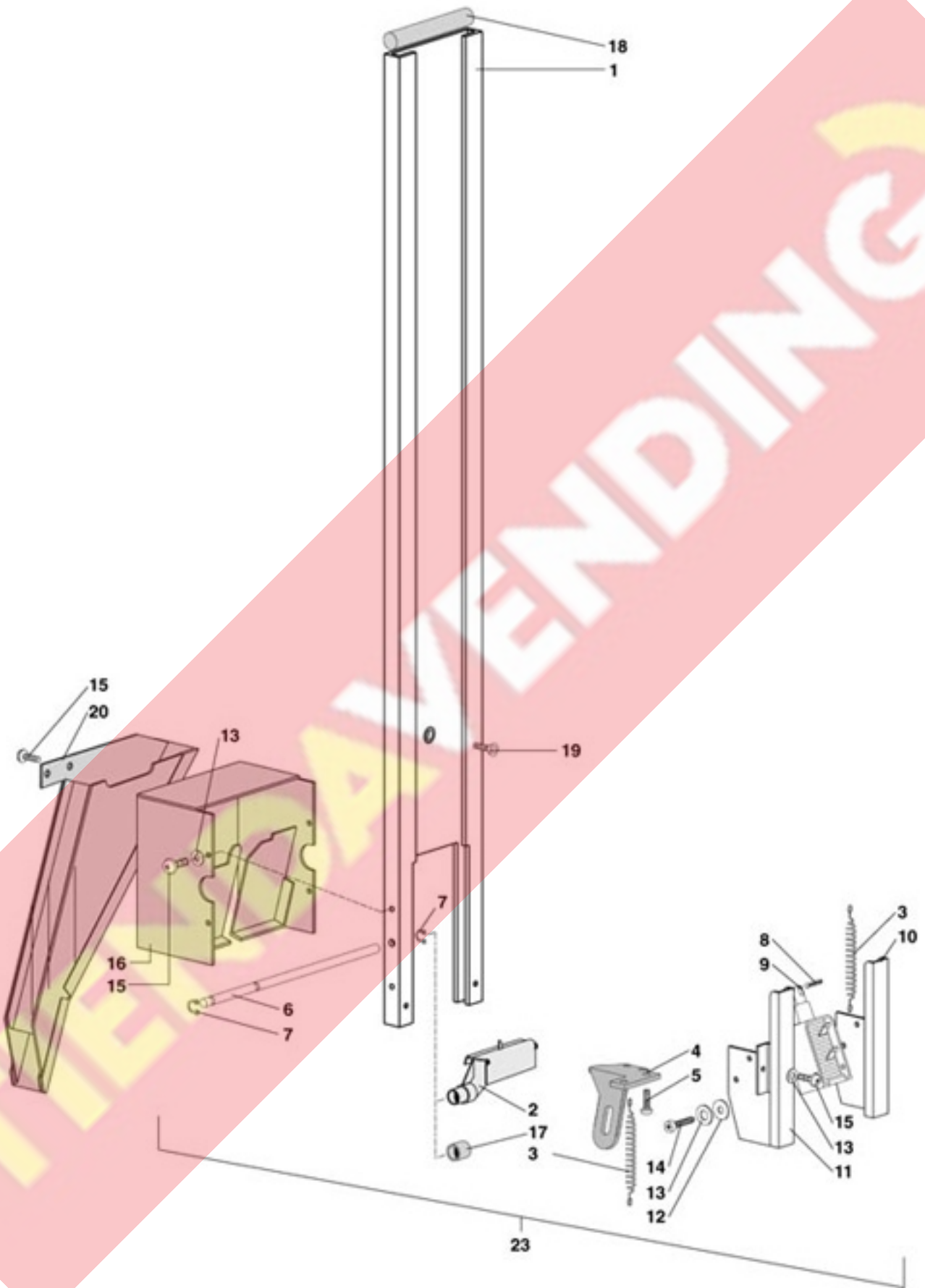


cups loader		
Pos.	Code	Description
1	Z0180011856CK	§ CUPS DISPENSER
2	VIT0007001	M 3 x 7 COPPER RIVET
3	Z0180009051	STOP CONNECTION SPRING
4	Z0180009054	BRACKET
5	Z0180011817	LEFT-RIGHT WALL
6		
7	Z0180011828	SPRING
8	Z0180009116	PIN
9	Z0180011823	PIN
10	VIT0002401	SCREW ST HEAD CAP M3.5X9.5
11	Z0180011866CK	COVER RAL7037
12	Z0180011868CK	COVER RAL7037
13	VIT0007104R	§ BUSH+BUTTON
14	VIT0007104R	§ BUSH+BUTTON
15	VIT0000002	SCREW HEAD TAP CAP M3X6
16	VIT0003002	WASHER 3,2X7X0,5
17	Z0180011534	CUP DISPENSER COLUMN
18	VIT0000006	SCREW HEAD TAP CAP M3X16
19	VIT0003102	SPRING WASHER 3,2
20	Z0090002512	GEAR MOTOR 11RPM 24V DC
21	Z0190006007	PINION
22	ELE0001522	MICROSWITCH
23	ELE0001906	MICROSWITCH LEVER
24	Z0190012155CL	§ CUPS DISPENSER MECH.
25	Z0190006004	TOOTHED RING NUT
26	Z0190006005	CAM
27	Z0190012155	UPPER PLATE It's part of kit Z0190012155CL
28	VIT0000019	SCREW HEAD TAP CAP M5X35
29	Z0180009145	TOOTHED RING NUT
30	Z0190012108	PINION Z 30
31	Z0180011533	SHAFT
32	VIT0006502	RING 3.2
33	VIT0003303	WASHER 6,6X18X1,5
34	VIT0006503	RING 4
35	SCH0004220	CUPS SENSOR/COLUMN BOARD
36	VIT0002012	SCREW ST HEAD CAP M2.9X16
37	Z0180011808	CENTRAL COLUMN
38	Z0180005007	CENTRAL COLUMN GUIDE
39	VIT0004504	NUT M5
40/a	Z0090002109	GEAR MOTOR 24 RPM 24V DC For old electronic version
40/b	Z0090002114R	§ GEARBOX MOTOR 11RPM 24V DC For new electronic version
41	Z0380010421	GEARBOX MOTOR SHAFT
42	Z0180011544	PINION Z 30
43	Z0180011553	MOTOR SPACER
44	VIT0000015	SCREW HEAD TAP CAP M4X25
45	VIT0003103	SPRING WASHER 4,3
46	VIT0004503	NUT M4

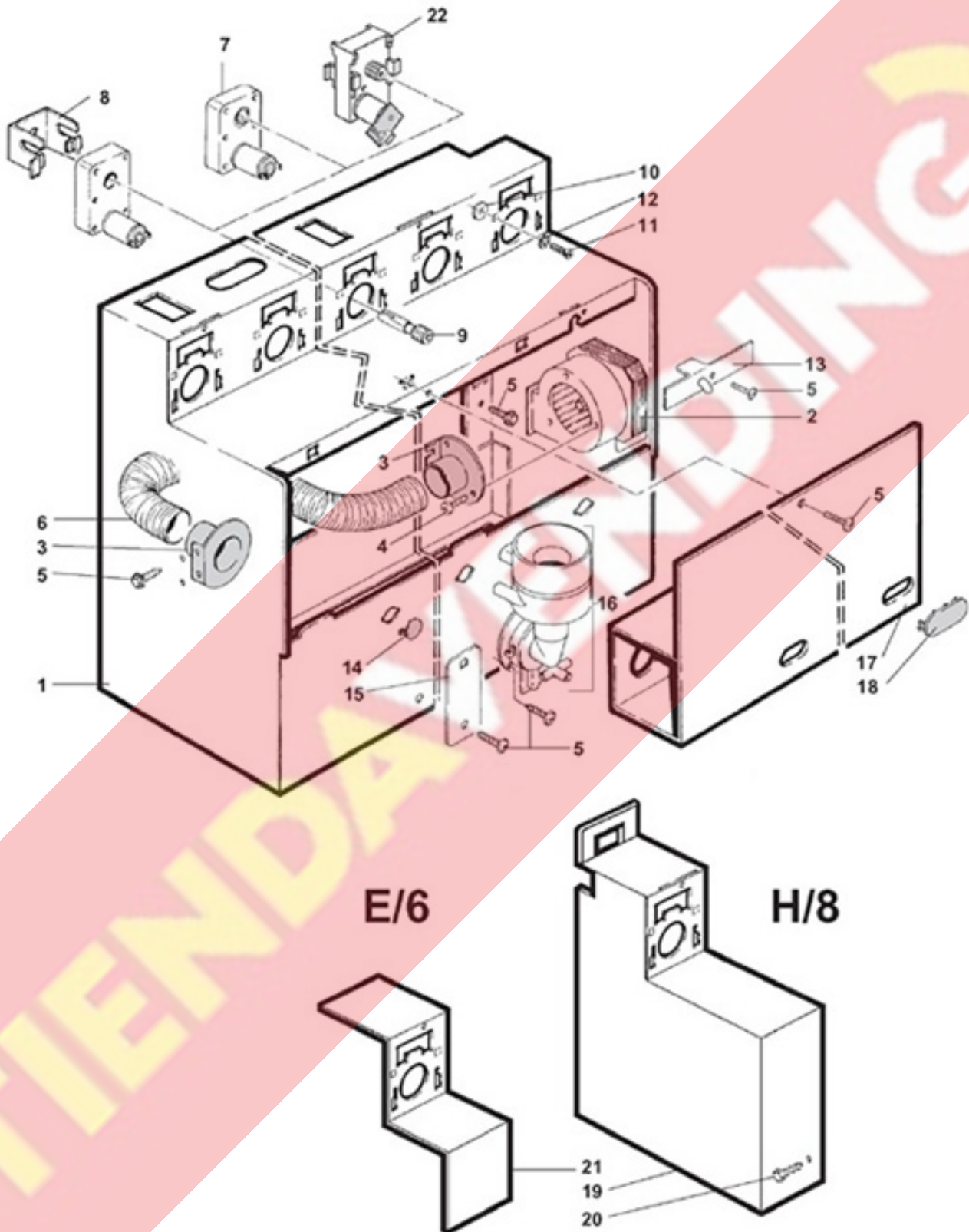
cups loader		
47	IMB0001208	MANUAL HOLDER CASE
48	ELE0001506	MICROSWITCH
49	VIT0000024	SCREW HEAD FLAP CAP M4X8
50	VIT0003301	WASHER 4,3X12X1,5
51		
52/a	Z0180011872	CUP CHUTE For the version S.A.
52/b	Z0180011843	CUP CHUTE For the version S.C.
53	Z0180009091	REGUALTION PLATE
54	Z0180010018	HOOK
55	Z0180010015	PUSH WALL
56	SCH0003740	MOTOR FILTER
70	Z0190006065CL	§ CUPS DISPENSER
101	Z0180011860CL	CUPS LOADER / DIPENSER ASSEMBLY



stirrer dispenser - open station		
Pos.	Code	Description
1/a	Z0450009125	STICKS CONTAINER
1/b	Z0450009137	STIRRERS CONTAINER MM.104
2	Z0450002003	STIRRER EJECTOR
3	Z0450003010	SPRING
4	Z0450003108	ELECTROMAGNET CONNECTING ROD
5	VIT0002469	SCREW HEAD TAP M3.5X10
6/a	Z0450003008	STICKS DISPENSER PIN 89 mm
6/b	Z0450003032	STIRRER EJECTOR PIN
7	VIT0006504	RING 5
8	VIT0005211	DOWEL PIN 2.5X12
9	ELE0000055	ELECTROMAGNET 5% 24V DC
10	Z0450003106	RIGHT HOLDER
11	Z0450003107	LEFT HOLDER
12	VIT0003003	WASHER 4,3X8X0,8
13	VIT0003405	SPRING WASHER 4,3
14	VIT0000021	SCREW HEAD TAP CAP M4X6
15	VIT0002401	SCREW ST HEAD CAP M3.5X9.5
16/a	Z0450009126	STICKS FEEDER
16/b	Z0450009138	STIRRERS MM.104 CHUTE
17	Z0450003031	SPACER
18/a	4001012030	STIRRER WEIGHT 89MM
18/b	Z0450003033	STIRRER WEIGHT 104MM
19	VIT0000106	SCREW COUNT FLAT HEAD M4X8
20	Z0450009161	STIRRER CHUTE
23/a	Z0450009140CL	§ STIRRER DISPENSER 89 (without part. 18-19-20)
23/b	Z0450009150CL	§ STIRRER DISPENSER 104 (without part. 18-19-20)

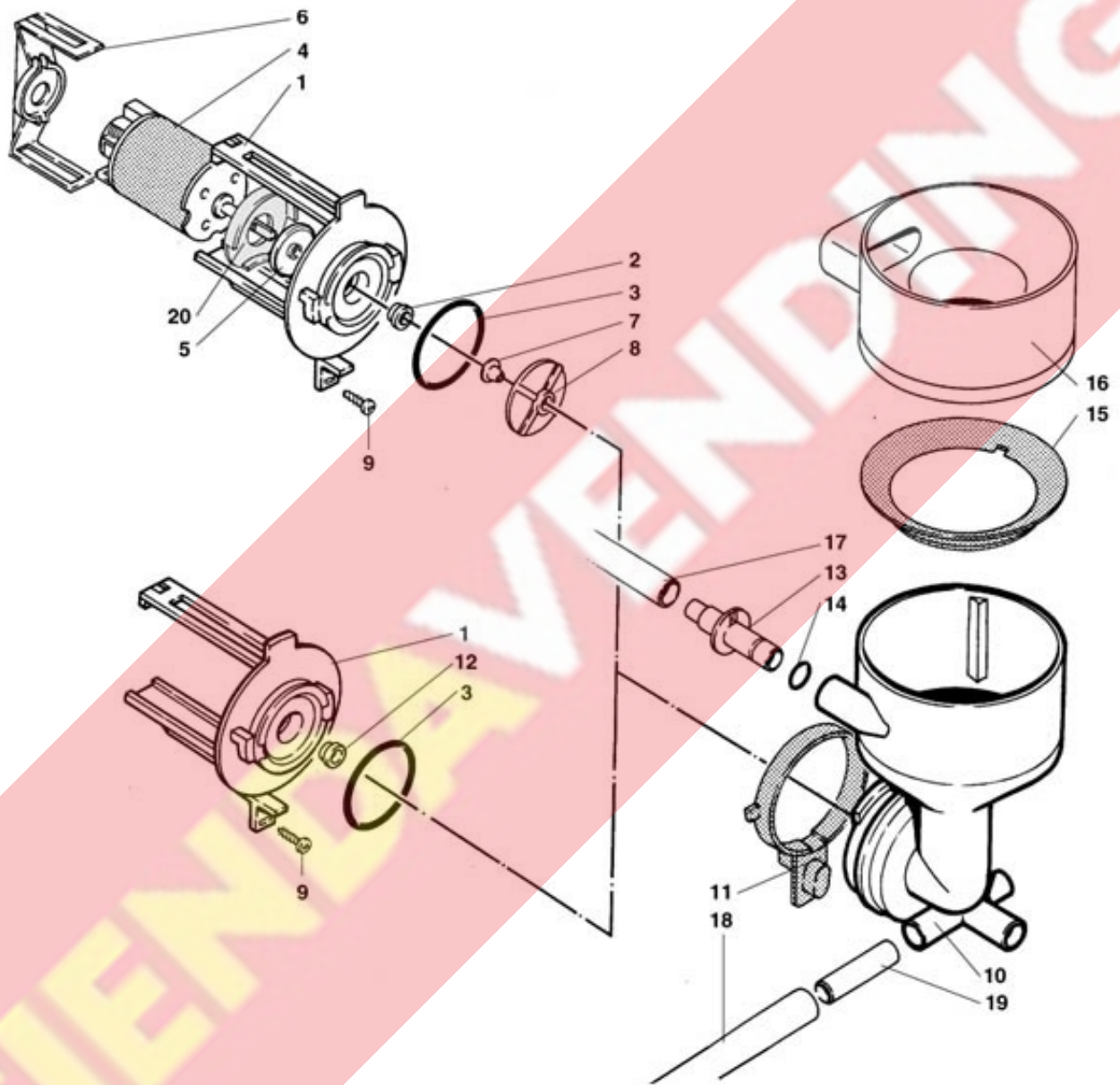


stirrer dispenser - close station		
Pos.	Code	Description
1/a	Z0450009125	STICKS CONTAINER
1/b	Z0450009137	STIRRERS CONTAINER MM.104
2	Z0450002003	STIRRER EJECTOR
3	Z0450003010	SPRING
4	Z0450009141	ELECTROMAGNET CONNECTING ROD
5	VIT0002469	SCREW HEAD TAP M3.5X10
6/a	Z0450003008	STICKS DISPENSER PIN 89 mm
6/b	Z0450003032	STIRRER EJECTOR PIN
7	VIT0006504	RING 5
8	VIT0005211	DOWEL PIN 2.5X12
9	ELE0000055	ELECTROMAGNET 5% 24V DC
10	Z0450009139	ELECTROMAGNET RIGHT SUPPORT
11	Z0450009140	ELECTROMAGNET LEFT SUPPORT
12	VIT0003003	WASHER 4,3X8X0,8
13	VIT0003405	SPRING WASHER 4,3
14	VIT0000021	SCREW HEAD TAP CAP M4X6
15	VIT0002401	SCREW ST HEAD CAP M3.5X9.5
16/a	Z0450009126	STICKS FEEDER
16/b	Z0450009138	STIRRERS MM.104 CHUTE
17	Z0450003031	SPACER
18/a	4001012030	STIRRER WEIGHT 89MM
18/b	Z0450003033	STIRRER WEIGHT 104MM
19	VIT0000106	SCREW COUNT FLAT HEAD M4X8
20	Z0450009127	STIRRER CHUTE MM.104
23/a	Z0450009146CL	§ STIRRER DISPENSER (without part. 18-19-20)
23/b	Z0450009156CL	§ STIRRER DISPENSER 104 (without part. 18-19-20)

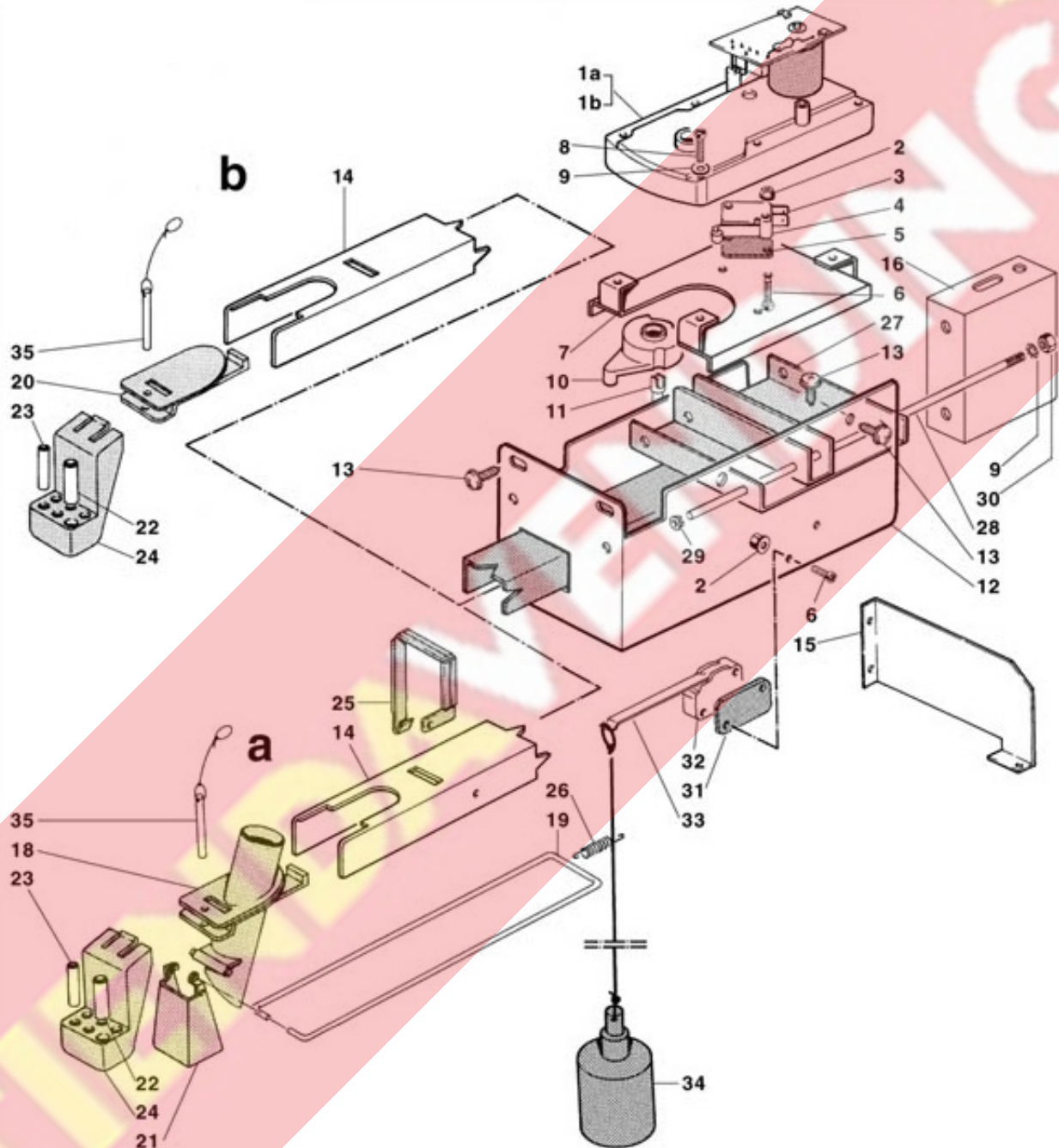




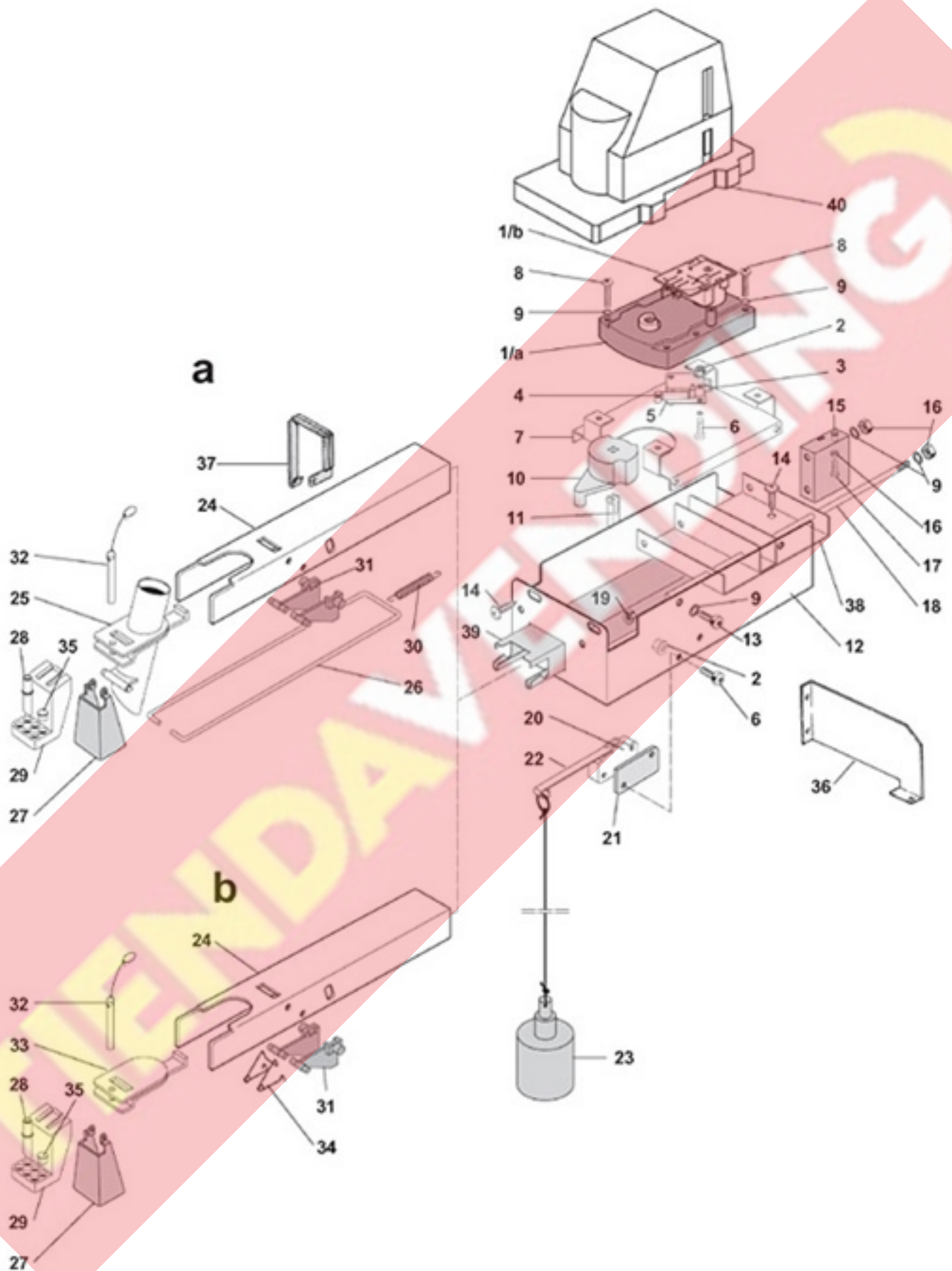
solubles dispenser		
Pos.	Code	Description
1/a	Z0070010700R	§ HOUSING
1/b	Z0070010720R	§ HOUSING
2	ELE0000454	TRAP 24/50 D.70
3	3005101039	TRAP COVER
4	VIT0002002	SCREW ST HEAD CAP M3.5X6.5
5	VIT0000030	SCREW HEAD TAP CAP M4X7
6	TEOL000003	EXTRACTOR TUBE D.50
7/a	Z0090002081	MOTOR 24 DC 85 RPM
7/b	Z0090002082	MOTOR 24 DC 55 RPM
7/c	Z0090002093	GEAR MOTOR 32 RPM 24V DC
8	Z0010020031	MOTOR SUPPORT
9	Z0230012010	PINION
10	Z0090002079	SPACER
11	VIT0000015	SCREW HEAD TAP CAP M4X25
12	VIT0003103	SPRING WASHER 4,3
13	Z0240002117	WATER INLET PIPE
14	Z0080100035NA	CONNECTOR PLUG BLACK
15	Z0010020028NA	MIXER PLUG BLACK
16		See table mixers
17/a	Z0070010759	TRAP HOUSING 5
17/b	Z0070010757	TRAP HOUSING 5 FBT
17/c	Z0070010776	EXHAUST HOUSING
18	Z0070010831NA	EXTRACTOR PLUG
19	Z0070010904	HOUSING
20	VIT0000236	SCREW HEX HEAD M6X11
21	Z0070010925	GEARBOX MOTOR SUPPORT
22	Z0090002113R	§ GEARBOX MOTOR 24V DC



<b>mixers</b>		
<b>Pos.</b>	<b>Code</b>	<b>Description</b>
1	Z0080100005	MOTOR MIXER BASE
2	Z0080100015	MIXER BUSH
3	GUA0000084	OR 3131 RED SILICONE A60
4	Z0090003023	MIXER MOTOR 24V DC SHAFT D.4
5	Z0080100024	MIXER FAN
6	Z0080100009IC	MIXER MOTOR SUPPORT RAL2011
7	Z0080100102	MIXER SHAFT GASKET
8	Z0080100011	MIXER FAN
9	VIT0002401	SCREW ST HEAD CAP M3.5X9.5
10/a_1	Z0080200101L	MIXING BOWL L.W/H20 BREAKER
10/a_2	Z0080200102R	MIXING BOWL R.W/H20 BREAKER
10/a_3	Z0080200103C	MIXING BOWL F.W/H20 BREAKER
10/b_1	Z0080200104L	MIXING BOWL L.W/O H20 BREAKER
10/b_2	Z0080200105R	MIXING BOWL R.W/O H20 BREAKER
10/b_3	Z0080200106C	MIXING BOWL F.W/O H20 BREAKER
11	Z0080100006IC	LOCK RING RAL2011
12	Z0080100018	MIXER PLUG
13	Z0080100013	MIXER CONNECTOR
14	GUA0000085	OR 106 RED SILICONE A70
15	Z0080100022	MIXING BOWL RING
16	Z0080100131NA	MIXING BOWL EXTRACTOR BLACK
17/a	TSIL07/11T-10	SILICON HOSE 7X11 MT.10
17/b	TSIL07/11T-50	SILICON HOSE 7X11 MT.50
18/a	TSIL06/09T-10	SILICON HOSE 6X9 MT.10
18/b	TSIL06/09T-50	SILICON HOSE 6X9 MT.50
19	Z0080027029	TUBE REDUCER 2.5
20	Z0080100023IC	MIXER COVER RAL2011
100	Z0080100005R	KIT UPDATE MIXERS MOTORS
101	Z0080200101LR	§ MIX BOWL L.W/H20 B+LOCK RING Pos.10/a_1+11
102	Z0080200102RR	§ MIX BOWL R.W/H20 B+LOCK RING Pos.10/a_2+11
103	Z0080200103CR	§ MIX BOWL F.W/H20 B+LOCK RING Pos.10/a_3+11



<b>distribution pipes movement</b>		
<b>Pos.</b>	<b>Code</b>	<b>Description</b>
1	Z0090002110R	§ GEARBOX MOTOR 24RPM 24V DC
1/a	Z0090002109	GEAR MOTOR 24 RPM 24V DC
1/b	SCH0004980	MOTORS STOPPER
2	VIT0004701	NUT M3
3	ELE0001528	MICROSWITCH
4	ELE0001906	MICROSWITCH LEVER
5	7500902054	ISOLATION
6	VIT0000006	SCREW HEAD TAP CAP M3X16
7	Z0380010436	GEARBOX MOTOR SUPPORT
8	VIT0000015	SCREW HEAD TAP CAP M4X25
9	VIT0003103	SPRING WASHER 4,3
10	Z0380010508	MOTOR CAM
11	Z0380010421	GEARBOX MOTOR SHAFT
12	Z0380010550	PIPES MOVEMENT HOUSING
13	VIT0002401	SCREW ST HEAD CAP M3.5X9.5
14	Z0380010611	NOZZLE HOLDER
15	Z0380010608	PIPES MOVEMENT SUPPORT
16	Z0380010607	NOZZLE MOVEMENT REGULATION
17	VIT0000014	SCREW HEAD TAP CAP M4X16
18	Z0380011229NA	SUGAR CHUTE
19	Z0380010612	BRACKET
20	Z0380010459NA	NOZZLE SUPPORT PLATE BLACK
21	Z0380010424NA	SUGAR SPLITTER
22/a	Z0380010555	COFFEE PIPE
22/b	Z0380010476	PRODUCT NOZZLE
22/c	Z0380010657NA	ESPRESSO NOZZLE D. 5,7
23	Z0380010656NA	PLUG BLACK
24/a	Z0380010655NA/L	NOZZLES HOLDER
24/b	Z0380010655NA/L	NOZZLES HOLDER
25	Z0380010882NA	CLAMP FIXING PIPES
26	Z0380010431	SPRING
27	Z0380010531	PIPE SUPPORT GUIDE
28	Z0380010411	NOZZLE HOLDER GUIDE SHAFT
29	Z0380010534	BUSH
30	VIT0004503	NUT M4
31	4600010014	SPACER
32	ELE0001522	MICROSWITCH
33	NL201106265	MICRO LEVER
34	Z0070003022	WASTE FLOAT
35	Z0380010429CL	§ FIXING PLATE PIN
100	Z0380010586CL	§ NOZZLE MOVEMENT
101	Z0380010593CL	§ NOZZLE MOVEMENT

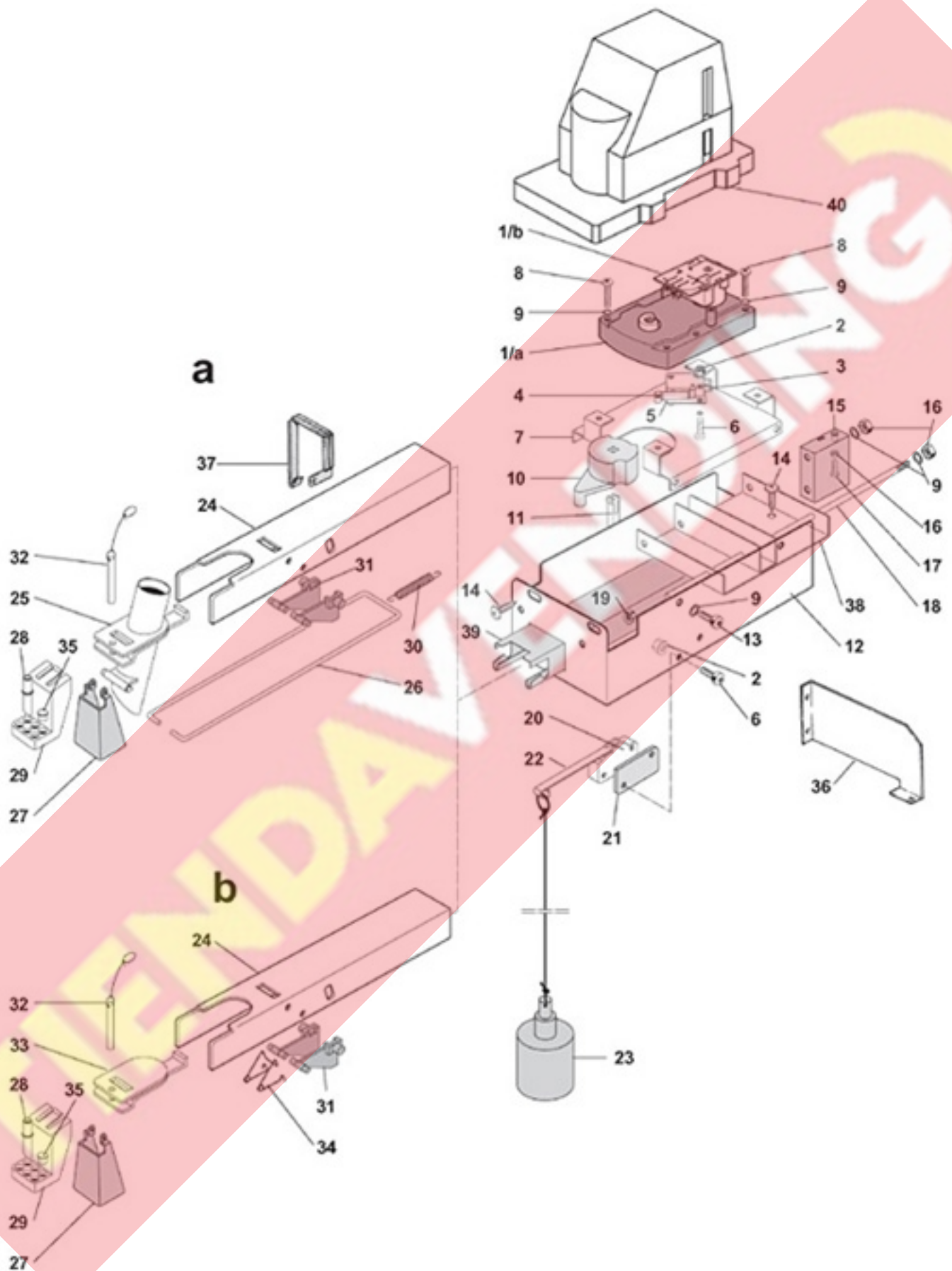


distribution pipes movement open station		
Pos.	Code	Description
1	Z0090002110R	§ GEARBOX MOTOR 24RPM 24V DC For old electronic version
1/a	Z0090002109	GEAR MOTOR 24 RPM 24V DC For old electronic version
1/b	SCH0004980	MOTORS STOPPER For old electronic version
1	Z0090002115R	§ GEARBOX MOTOR 11RPM 24V DC For new electronic version
1/c	Z0090002114R	§ GEARBOX MOTOR 11RPM 24V DC For new electronic version
1/d	SCH0004980	MOTORS STOPPER For new electronic version
2	VIT0004701	NUT M3
3	ELE0001528	MICROSWITCH
4	ELE0001906	MICROSWITCH LEVER
5	7500902054	ISOLATION
6	VIT0000006	SCREW HEAD TAP CAP M3X16
7	Z0380010436	GEARBOX MOTOR SUPPORT
8	VIT0000015	SCREW HEAD TAP CAP M4X25
9	VIT0003103	SPRING WASHER 4,3
10	Z0380010508	MOTOR CAM
11	Z0380010421	GEARBOX MOTOR SHAFT
12	Z0380010615	PIPES MOVEMENT
13	VIT0002009	SCREW ST HEAD CAP M3.5X6.5
14	VIT0002401	SCREW ST HEAD CAP M3.5X9.5
15	Z0380010607	NOZZLE MOVEMENT REGULATION
16	VIT0004503	NUT M4
17	VIT0000014	SCREW HEAD TAP CAP M4X16
18	Z0380010411	NOZZLE HOLDER GUIDE SHAFT
19	Z0380010534	BUSH
20	ELE0001528	MICROSWITCH
21	4600010014	SPACER
22	NL201106265	MICRO LEVER
23	Z0070020038CL	§ WASTE FLOAT
24	Z0380010616	NOZZLE HOLDER
25	Z0380011229NA	SUGAR CHUTE
26	Z0380010612	BRACKET
27	Z0380010424NA	SUGAR SPLITTER
28	Z0380010657NA	ESPRESSO NOZZLE D. 5,7
29	Z0380010655NA/L	NOZZLES HOLDER
30	Z0380010431	SPRING
31	Z0380010599	NOZZLE MOVEMENT BUTTON
32	Z0380010429CL	§ FIXING PLATE PIN
33	Z0380010459NA	NOZZLE SUPPORT PLATE BLACK
34	Z0380010629	SPRING
35	Z0380010656NA	PLUG BLACK
36	Z0380010608	PIPES MOVEMENT SUPPORT
37	Z0380010882NA	CLAMP FIXING PIPES
38	Z0380010531	PIPE SUPPORT GUIDE
39	Z0380010623	PIPE SUPPORT GUIDE
40	Z0380010632NA	NOZZLE MOVEMENT COVER
100	Z0380010583CL	§ NOZZLE MOVEMENT
101	Z0380010593CL	§ NOZZLE MOVEMENT

distribution pipes movement open station		
102	Z0380010602CL	§ NOZZLE MOVEMENT
103	Z0380010599CL	§ NOZZLE MOVEMENT







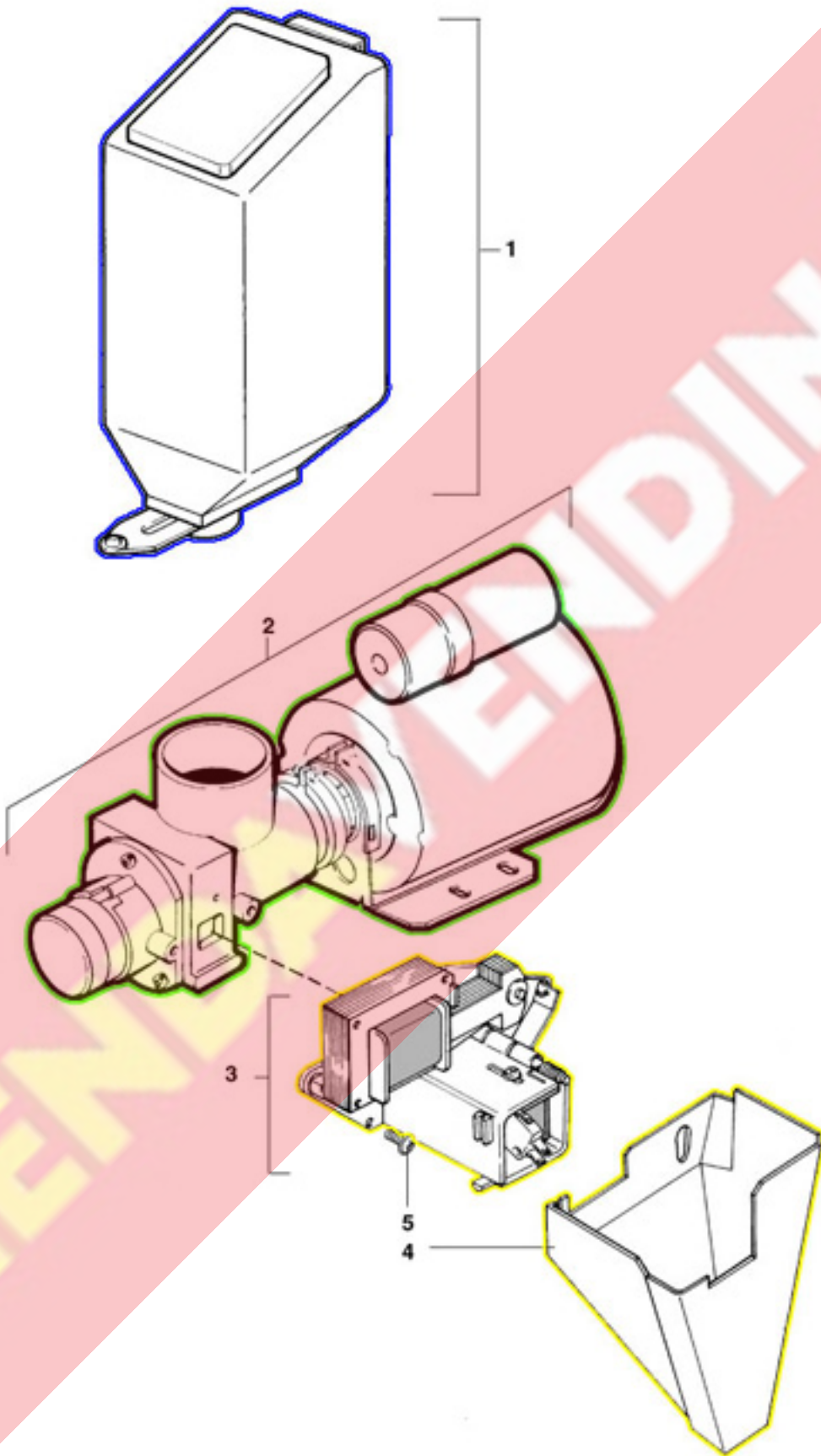
<b>distribution pipes movement closed station</b>		
<b>Pos.</b>	<b>Code</b>	<b>Description</b>
1	Z0090002110R	§ GEARBOX MOTOR 24RPM 24V DC For old electronic version
1/a	Z0090002109	GEAR MOTOR 24 RPM 24V DC For old electronic version
1/b	SCH0004980	MOTORS STOPPER For old electronic version
1	Z0090002115R	§ GEARBOX MOTOR 11RPM 24V DC For new electronic version
1/c	Z0090002114R	§ GEARBOX MOTOR 11RPM 24V DC For new electronic version
1/d	SCH0004980	MOTORS STOPPER For new electronic version
2	VIT0004701	NUT M3
3	ELE0001528	MICROSWITCH
4	ELE0001906	MICROSWITCH LEVER
5	7500902054	ISOLATION
6	VIT0000006	SCREW HEAD TAP CAP M3X16
7	Z0380010436	GEARBOX MOTOR SUPPORT
8	VIT0000015	SCREW HEAD TAP CAP M4X25
9	VIT0003103	SPRING WASHER 4,3
10	Z0380010508	MOTOR CAM
11	Z0380010421	GEARBOX MOTOR SHAFT
12	Z0380010615	PIPES MOVEMENT
13	VIT0002009	SCREW ST HEAD CAP M3.5X6.5
14	VIT0002401	SCREW ST HEAD CAP M3.5X9.5
15	Z0380010607	NOZZLE MOVEMENT REGULATION
16	VIT0004503	NUT M4
17	VIT0000030	SCREW HEAD TAP CAP M4X7
18	Z0380010411	NOZZLE HOLDER GUIDE SHAFT
19	Z0380010534	BUSH
20	ELE0001528	MICROSWITCH
21	4600010014	SPACER
22	NL201106265	MICRO LEVER
23	Z0070020038CL	§ WASTE FLOAT
24	Z0380010598	NOZZLE HOLDER
25	Z0380011229NA	SUGAR CHUTE
26	Z0380010596	BRACKET
27	Z0380010424NA	SUGAR SPLITTER
28	Z0380010657NA	ESPRESSO NOZZLE D. 5,7
29	Z0380010655NA/L	NOZZLES HOLDER
30	Z0380010431	SPRING
31	Z0380010599	NOZZLE MOVEMENT BUTTON
32	Z0380010429CL	§ FIXING PLATE PIN
33	Z0380010459NA	NOZZLE SUPPORT PLATE BLACK
34	Z0380010629	SPRING
35	Z0380010656NA	PLUG BLACK
36	Z0380010608	PIPES MOVEMENT SUPPORT
37	Z0380010882NA	CLAMP FIXING PIPES
38	Z0380010531	PIPE SUPPORT GUIDE
39	Z0380010623	PIPE SUPPORT GUIDE
40	Z0380010632NA	NOZZLE MOVEMENT COVER
100	Z0380010586CL	§ NOZZLE MOVEMENT
101	Z0380010596CL	§ NOZZLE MOVEMENT

distribution pipes movement closed station		
102	Z0380010600CL	§ NOZZLE MOVEMENT
103	Z0380010601CL	§ NOZZLE MOVEMENT

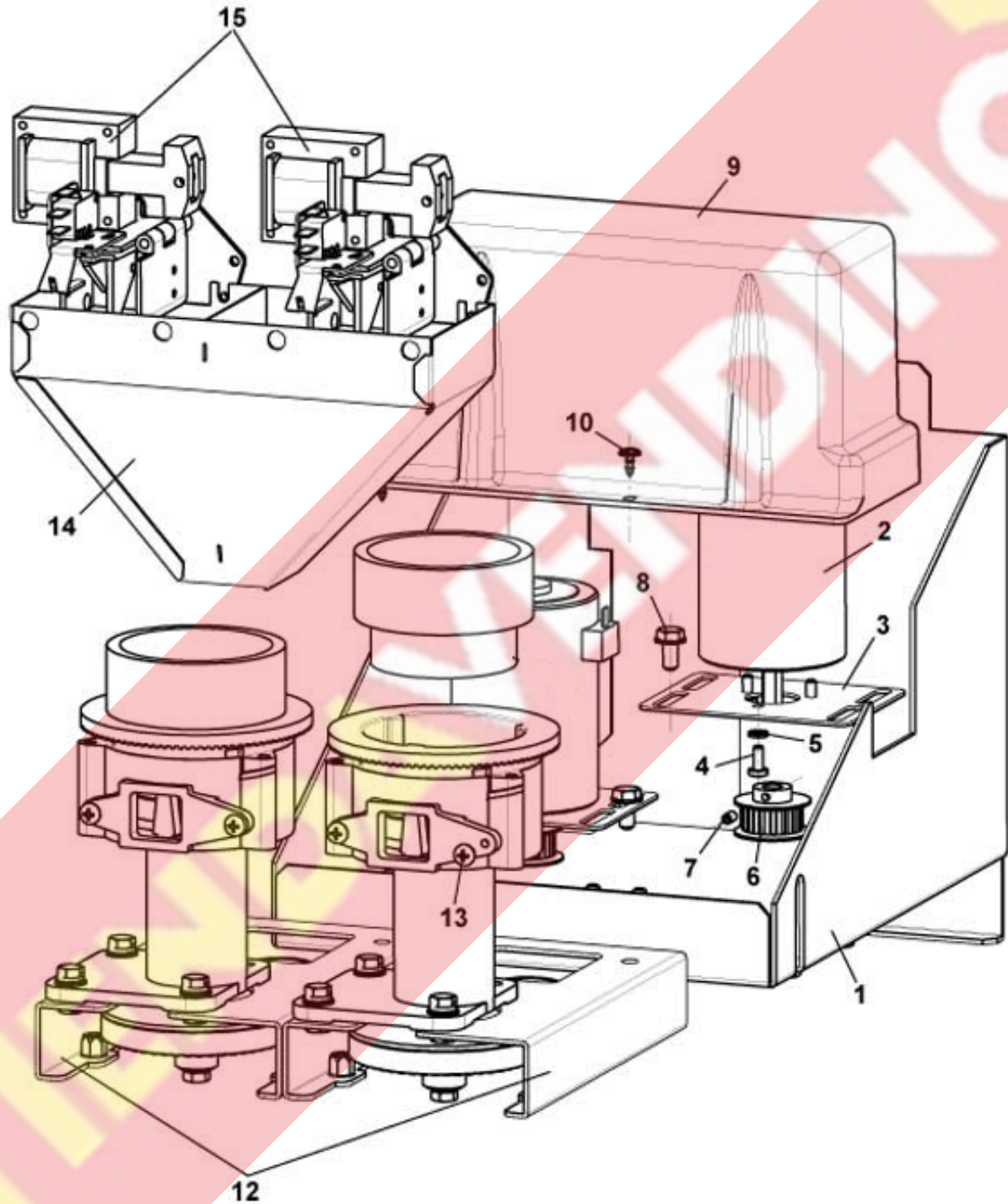




products container		
Pos.	Code	Description
1/a	70003001AR	§ CANISTER "A"+LID
1/b	70003001BR	§ CANISTER "B"+LID
1/c	Z0230008003AR	§ CANISTER W/HOLE H.650+LID
1/d	Z0230008003BR	§ CANISTER W/O HOLE H.650+LID
3	4002050109AD	INGREDIENT CHUTE PLUG
4/a	70003003	FIX PLATE
4/b	Z0230012018	FIX PLATE
5	Z0230012012	SQUARED PINION
6	VIT0004803	NUT M4
7	VIT0003202	WASHER 4,3X9X0,8
8	70003006	REAR BUSH
9	GUA0000015	OR 119 NBR AL 75 BLACK
10	Z0230012006	SPIRAL WITH FLANGE
11	VIT0005106	PIN 2X14
12/a	70003016	SPIRAL 18
12/b	Z0230024009	SPIRAL 9
13	70003010	BUSH CONNECTOR
14/a	70003008	FRONT BUSH
14/b	70003007	FRONT BUSH
14/c	Z0230012025	FRONT BUSH-REDUCED TRANSITION
15	70003028	PIN
16	70003027	BUSH
17	70003012	WHEEL (PLASTIC)
18	70003026	BUSH
19	70003029	DISK
20	VIT0007102	BENZING CLIP
21	11837	PRODUCT AGITATOR
22	VIT0001205	SCREW COUNT FLAT HEAD M4X12
23	VIT0004810	NUT M4
24/a	4001003072/20R1	§ PROD.CHUTE FRONTAL WHITE
24/b	4001003072/22R1	§ INGREDIENT CHUTE-LEFT WHITE
24/c	4001003072/21R1	§ INGREDIENT CHUTE-RIGHT WHITE
25	Z0230016024	SUGAR CHUTE
26	TSIL14/20T	SILICON HOSE 14X20
100	Z0230016005R	§ CANISTER SPIRAL 18
101	Z0230017007R	§ CANISTER WHEEL 9
102	Z0230017008R	§ CANISTER WHEEL 18
103	Z0230018009R	§ CANISTER AGITATOR 18
104	Z0230019005R	§ CANISTER AGITATOR 9-THE
105	Z0230019006R	§ CANISTER AGITATOR 18-THE
106	Z0230012012R	§ SQUARED PINION



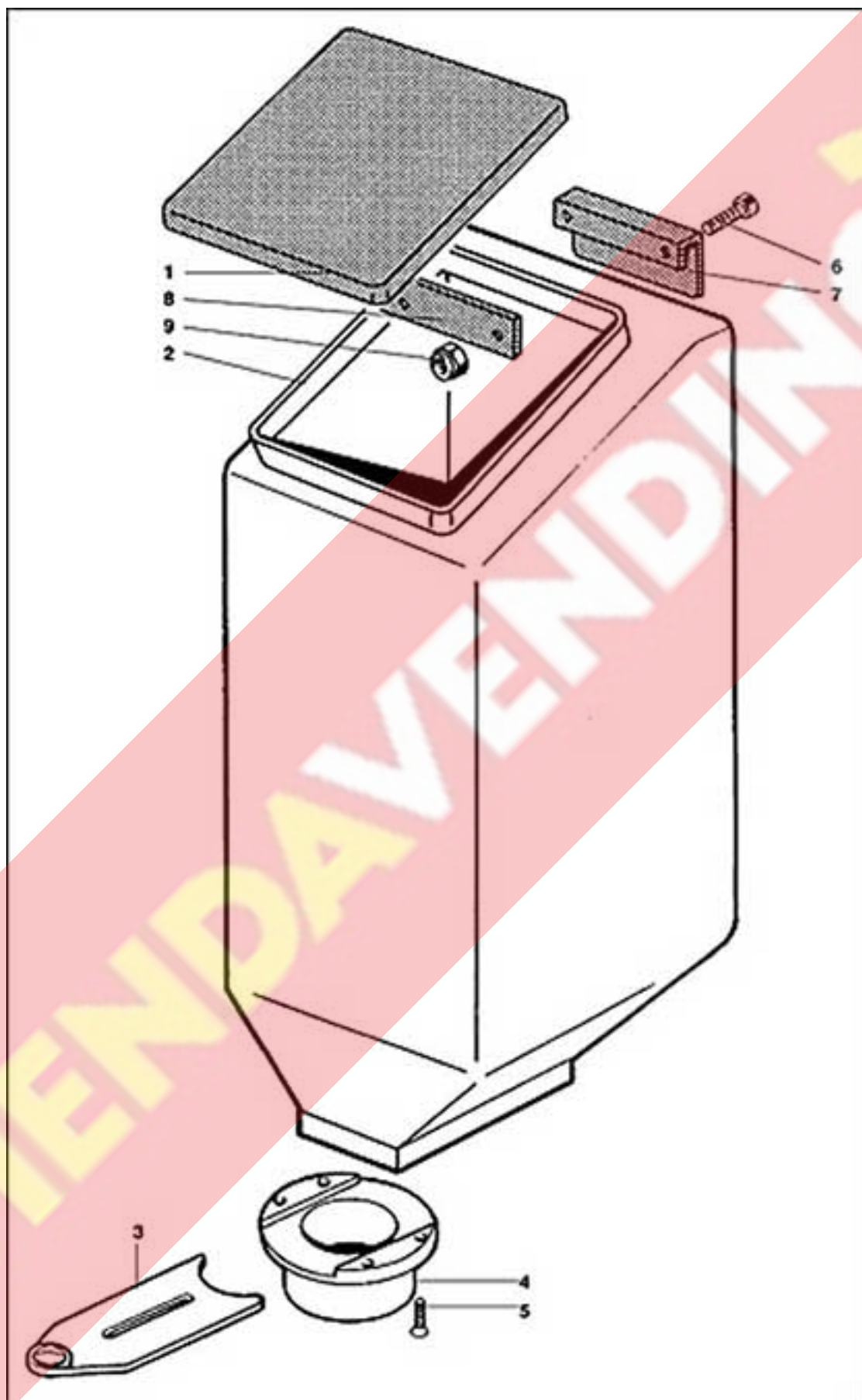
container batcher grinder group		
Pos.	Code	Description
1		See table coffee beans container
2		See table horizontal grinder group
3		See table aluminium batcher with internal micro
4/a	Z0320005056	COFFEE CHUTE D 36 Up to serial 02359999
4/b	Z0320005061	COFFEE CHUTE D 36 from serial 02360001
5	VIT0000012	SCREW HEAD TAP CAP M4X10





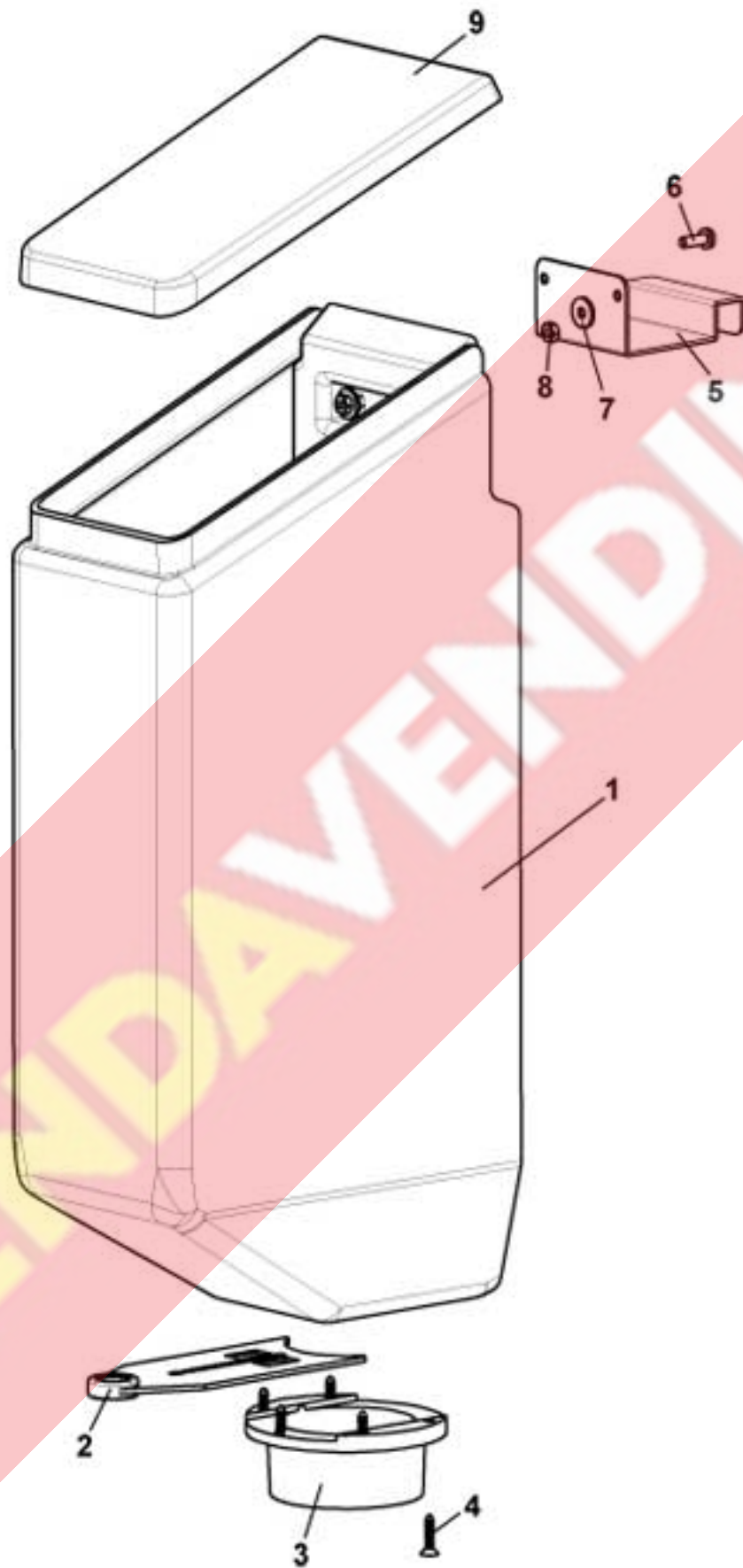
2 batchers/grinder groups		
Pos.	Code	Description
1	Z0010015168	2 GRINDERS SUPPORT
2	Z0090003043	GRINDER MOTOR 220V DC
3	Z0320004607	SETTING PLATE
4	VIT0000012	SCREW HEAD TAP CAP M4X10
5	VIT0003103	SPRING WASHER 4,3
6	Z0320004612	16 XL 037 ENGINE PULLEY
7	VIT0007026	M 4 x 6 DOWEL
8	VIT0000213	SCREW HEX HEAD M6X12
9	Z0320004608NA	MOTOR COVER BLACK
10	VIT0002401	SCREW ST HEAD CAP M3.5X9.5
12		See table 2 vertical mill groups
13	VIT0000030	SCREW HEAD TAP CAP M4X7
14	Z0320004614	2 COFFEE POWDERS CHUTE
15		See table aluminium batcher with external micro

coffee beans container

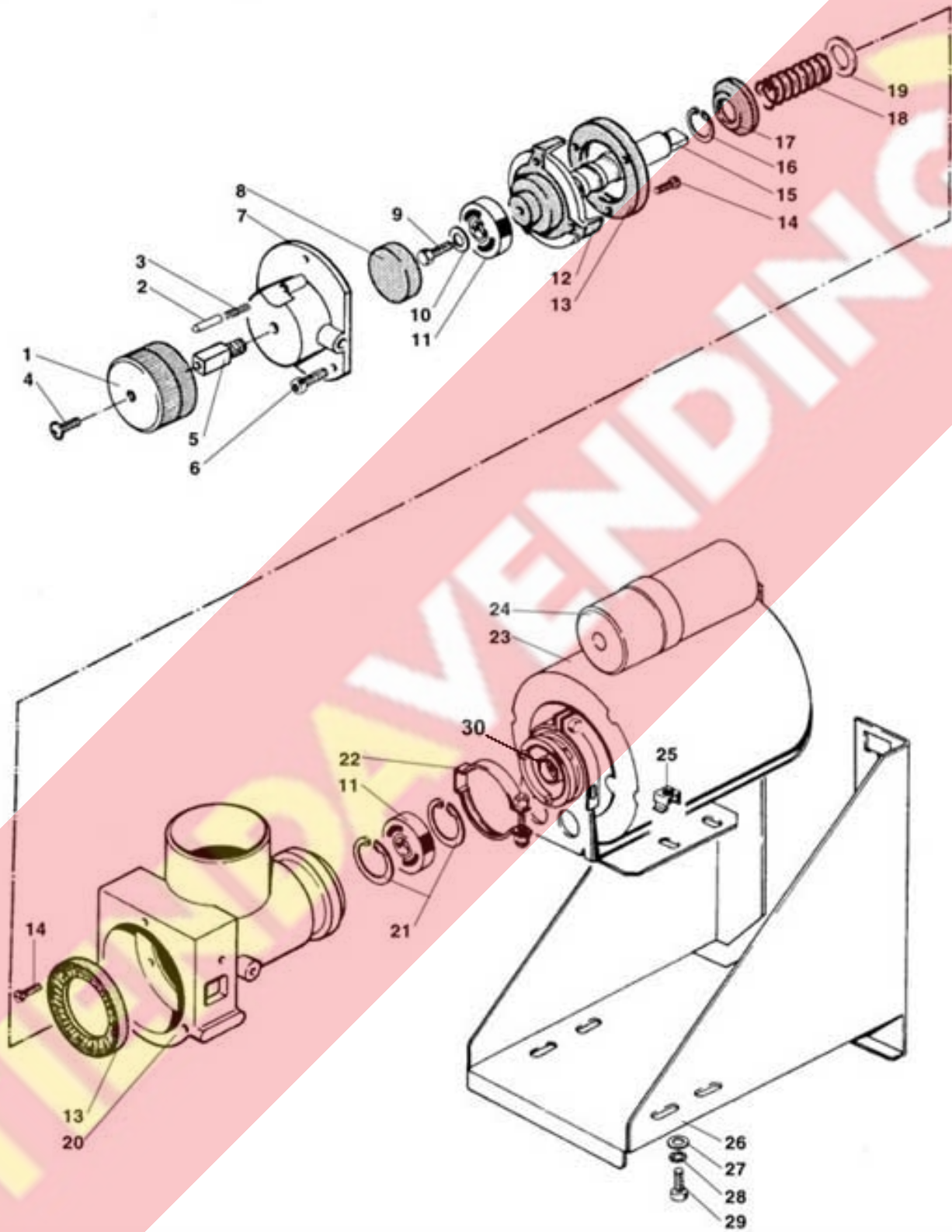


coffee beans container		
Pos.	Code	Description
1	Z0230015057	COFFEE BEANS HOPPER LID
2	Z0230015052	COFFEE BEANS HOPPER
3	4001002077NA	COFFEE BEANS HOPPER STOPPER
4	Z0230015035	COFFEE BEANS HOPPER STOPPER
5	VIT0002104	SCREW COUNT FLAT HEAD M3.9X16
6	VIT0005510	SCREW HEX HEAD REC TAP M4X16
7	Z0230015036	COFFEE BEANS HOPPER HOOK
8	Z0230015037	COFFEE BEANS HOPPER PLATE
9	VIT0004810	NUT M4
100	Z0230015050CL	§ COFFEE BEANS HOPPER

2 grinders coffee beans container

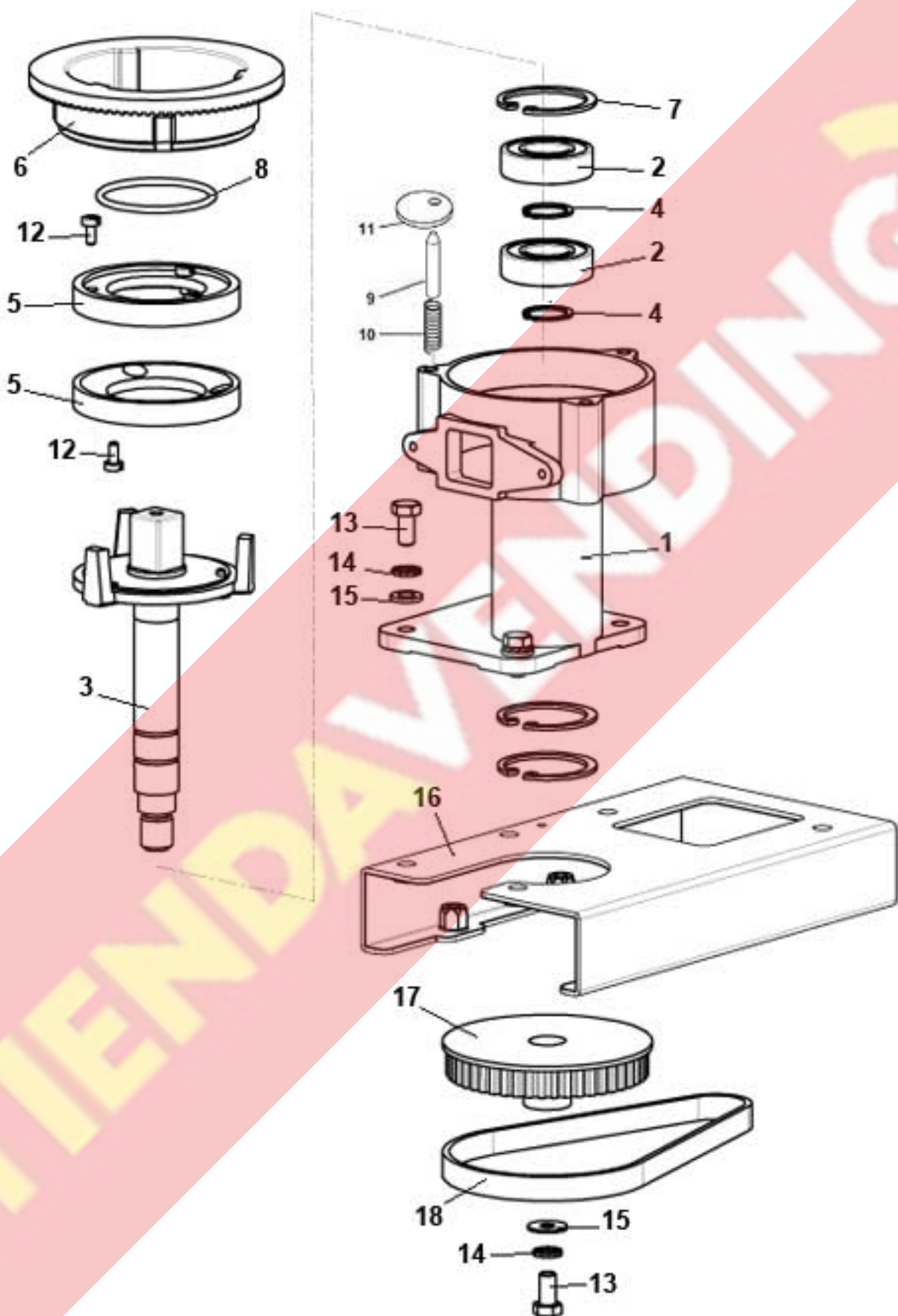


2 grinders coffee beans container		
Pos.	Code	Description
1	Z0230015111	COFFEE BEANS CONT. (2GRINDERS)
2	4001002077NA	COFFEE BEANS HOPPER STOPPER
3	Z0230015035	COFFEE BEANS HOPPER STOPPER
4	VIT0002104	SCREW COUNT FLAT HEAD M3.9X16
5	Z0230015114	COFFEE BEANS HOPPER HOOK
6	VIT0000013	SCREW HEAD TAP CAP M4X12
7	VIT0003301	WASHER 4,3X12X1,5
8	VIT0004503	NUT M4
9	Z0230015115TR	COFFEE BEANS HOPPER COVER



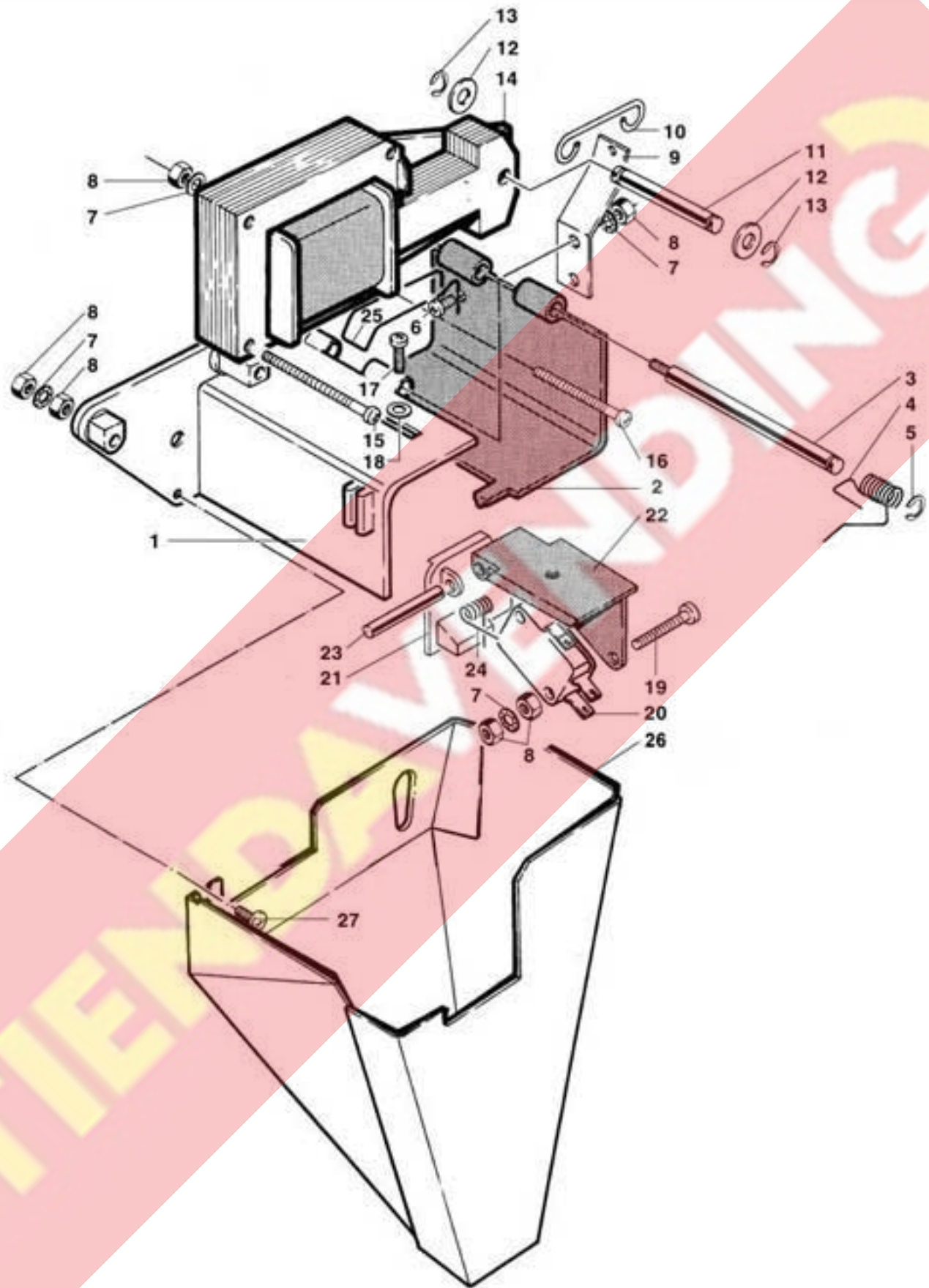
horizontal grinder group		
Pos.	Code	Description
1	320000053	REGULATION GRIP
2	320000041	PIN
3	4001002141	SPRING
4	VIT0000012	SCREW HEAD TAP CAP M4X10
5	320000052	SETTING PIN
6	VIT0005508	SCREW HEX HEAD REC TAP M4X12
7	320000119	FLANGE
8	320000032	BEARING PUSHER
9	320000010	LEFT BOLT
10	320000029	GRINDER WASHER
11	VIT0009301	BEARING
12	320000025	GRINDER SUPPORT
13	Z0320001559	GRINDER RING D.63.4 20/56
14	VIT0000024	SCREW HEAD FLAP CAP M4X8
15	320000008	WORM SCREW
16	VIT0006651	RING
17	320000016	SPRING HOLDER
18	320000015	SPRING
19	320000014	SPACER
20	320000101	GRINDER BODY
21	VIT0006602	RING
22	FASC000401	CLAMP
23	Z0090003003	MOTOR 110040.00 184W 220V 50H
24	ELE0009054	GRINDER MOTOR CAPACITOR
25	VIT0009106	NUT M5
26	Z0010018121	MILL MOTOR SUPPORT
27	VIT0003302	WASHER 5,5X15X1,6
28	VIT0003104	SPRING WASHER 5,3
29	VIT0000209	M 5*14 H.H. SCREW
30	Z0090003041	BUSH
100	Z0320001001CL	§ GRINDER

2 vertical mill groups

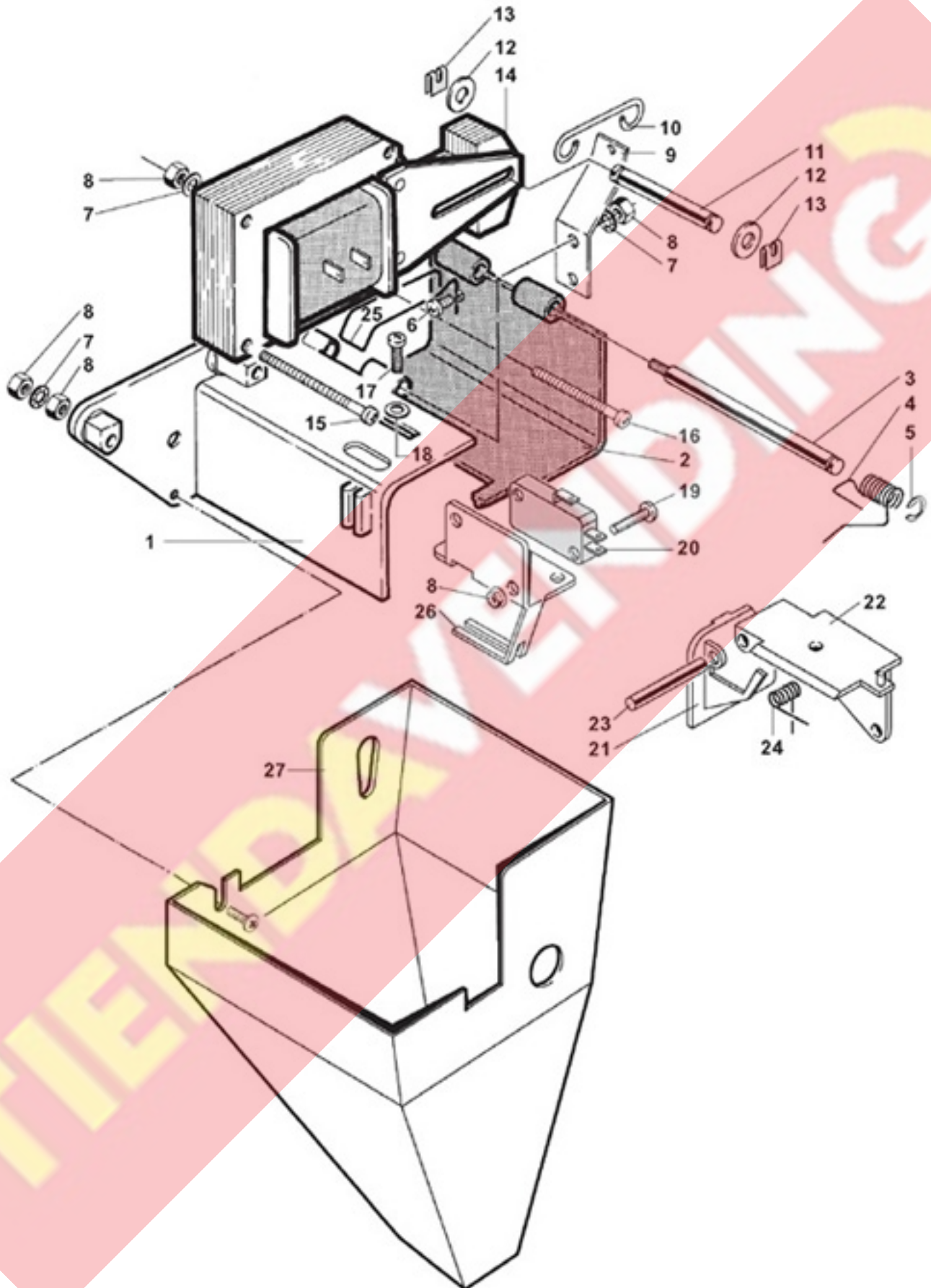




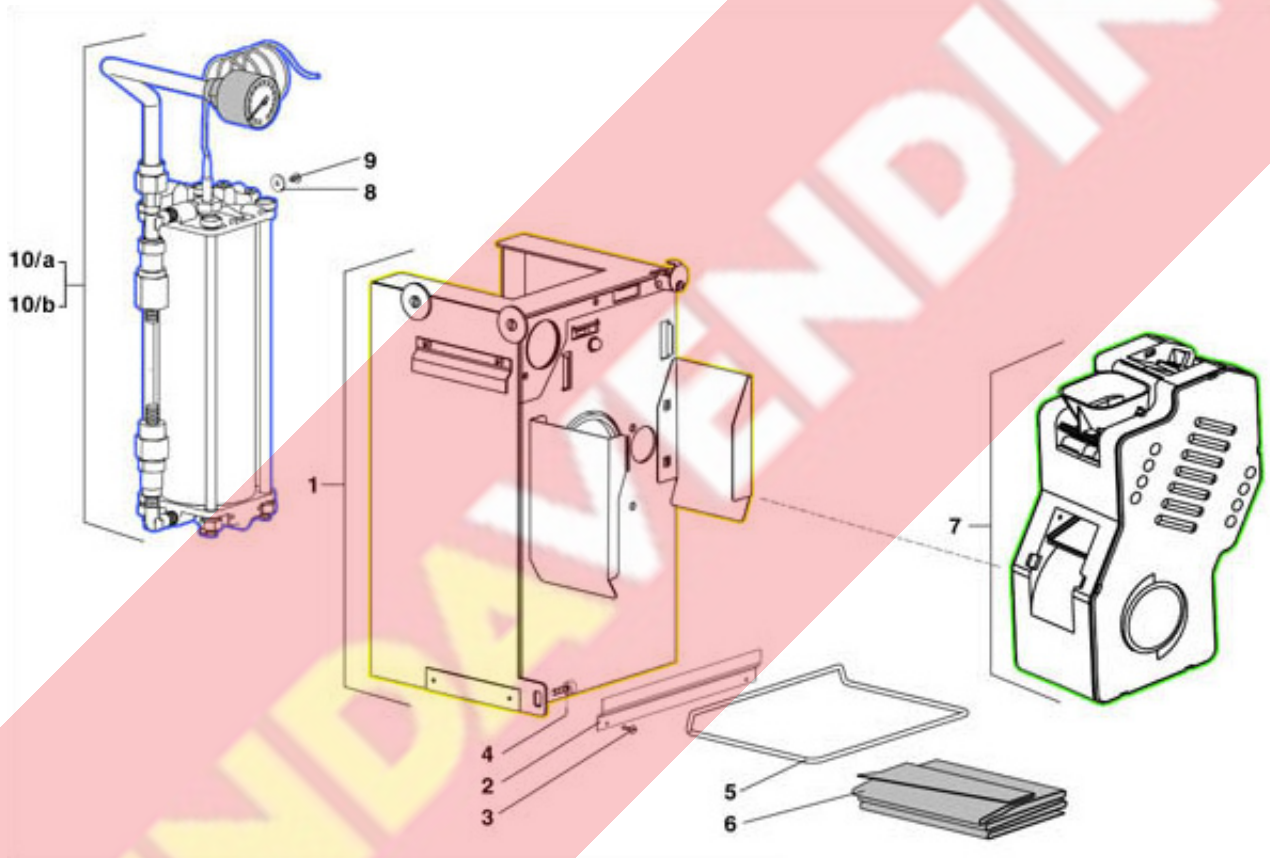
2 vertical mill groups		
Pos.	Code	Description
1	Z0320004006	GRINDER BODY
2	VIT0009301	BEARING
3	Z0320004609	LOWER GRINDER SUPPORT
4	VIT0006651	RING
5	Z0320001559	GRINDER RING D.63.4 20/56
6	Z0320002004	UPPER GRINDER SUPPORT
7	VIT0006602	RING
8	GUA0000090	OR 3268
9	Z0320002011	PIN
10	270001023	SPRING
11	Z0320002010	PLATE
12	VIT0000024	SCREW HEAD FLAP CAP M4X8
13	VIT0000213	SCREW HEX HEAD M6X12
14	VIT0003105	SPRING WASHER 6,4
15	VIT0003303	WASHER 6,6X18X1,5
16	Z0320004605	GRINDER SUPPORT
17	Z0320004022	GRINDER PULLEY
18	Z0090006004	TOOTHED BELT



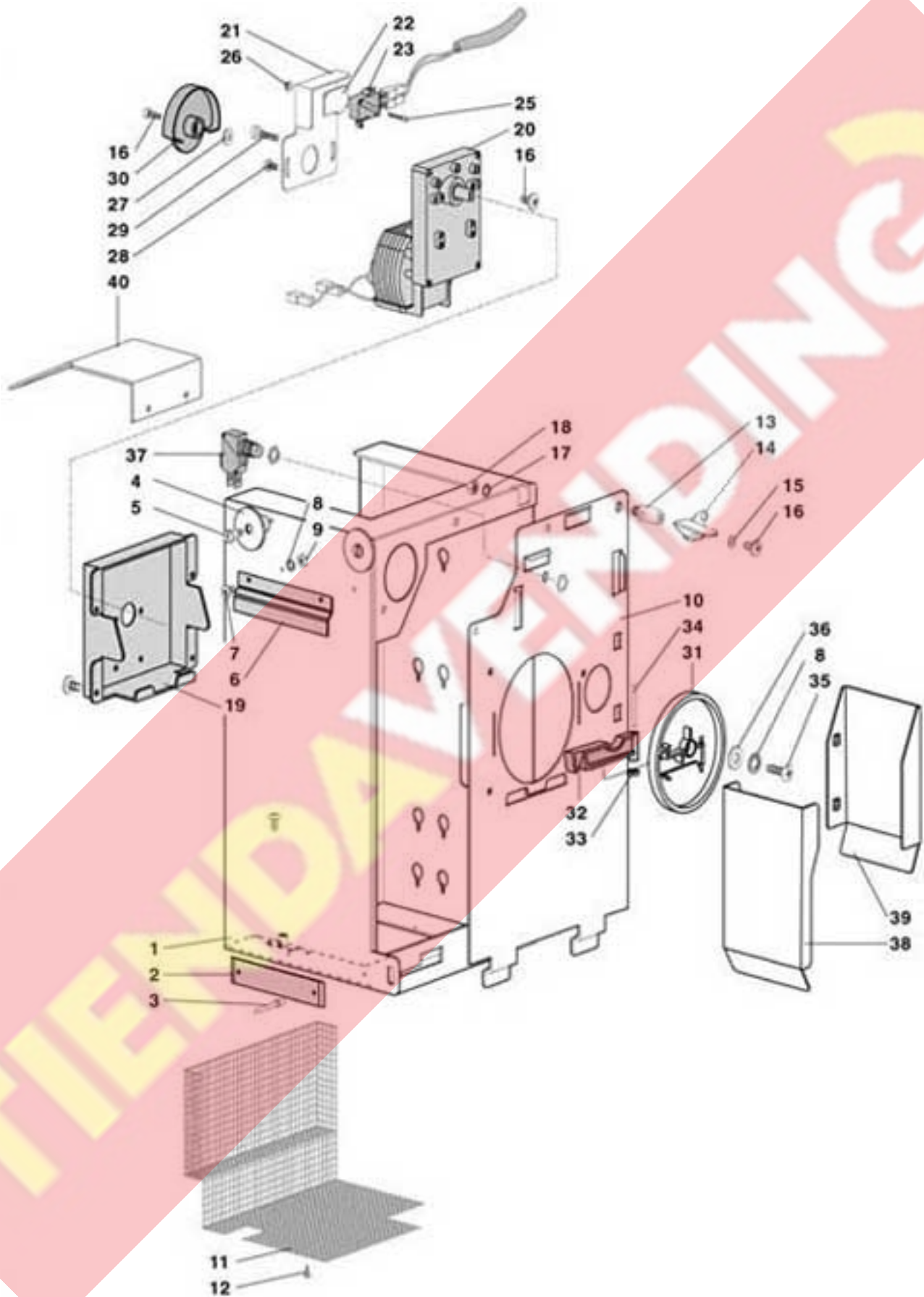
aluminium batcher with internal micro		
Pos.	Code	Description
1/a	4001002094R	§ BATCHER BODY+WALL For Coffee beans group D. 36
1/b	4001002094R	§ BATCHER BODY+WALL For Coffee beans group D. 40
2	4001002094R	§ BATCHER BODY+WALL
3	4001002063	BATCHER SHAFT
4	4001002066	SHAFT SPRING
5	VIT0006502	RING 3.2
6	VIT0000102	SCREW COUNT FLAT HEAD M3X10
7	VIT0003102	SPRING WASHER 3,2
8	VIT0004502	NUT M3
9	Z0350001105	DOSER LEVER
10	Z0350001106	RING
11	4001002095	PIN
12	VIT0003301	WASHER 4,3X12X1,5
13	VIT0006701	SECURITY WASHER
14	ELE0000060R	§ ELECTROMAGNET+PIN
15	VIT0000009	SCREW HEAD TAP CAP M3X30
16	VIT0000008	M 3*25 TCB SCREW
17	VIT0000003	SCREW HEAD TAP CAP M3X8
18	VIT0003002	WASHER 3,2X7X0,5
19	VIT0000007	SCREW HEAD TAP CAP M3X20
20	ELE0001525	MICROSWITCH
21	4001002062	BATCHER PLATE
22/a	4001002091R	§ GRINDER PLATE SUPPORT For Coffee beans group D. 36
22/b	4001002061R	§ GRINDER PLATE SUPPORT For Coffee beans group D. 40
23	4001002084	PIN
24	350000011	SPRING
25	4001002068	SPRING
26/a	Z0320005061	COFFEE CHUTE D 36 For Coffee beans group D. 36
26/b	Z0320005056	COFFEE CHUTE D 36 For Coffee beans group D. 40
27	VIT0000012	SCREW HEAD TAP CAP M4X10
100	Z0350002004CL	§ BATCHER 24V
101	Z0350002002CL	§ BATCHER
102	Z0350001105R	§ BATCHER LEVER (Pos.9+10)
103	ELE0000060R	§ ELECTROMAGNET+PIN (Pos.11+13+14)



<b>aluminium batcher with external micro</b>		
<b>Pos.</b>	<b>Code</b>	<b>Description</b>
1	4001002094R	§ BATCHER BODY+WALL
2	4001002094R	§ BATCHER BODY+WALL
3	4001002063	BATCHER SHAFT
4	4001002066	SHAFT SPRING
5	VIT0006502	RING 3.2
6	VIT0000102	SCREW COUNT FLAT HEAD M3X10
7	VIT0003102	SPRING WASHER 3,2
8	VIT0004701	NUT M3
9	Z0350001105	DOSER LEVER
10	Z0350001106	RING
11	4001002095	PIN
12	VIT0003202	WASHER 4,3X9X0,8
13	VIT0006701	SECURITY WASHER
14	ELE0000060R	§ ELECTROMAGNET+PIN
15	VIT0001108	M3X30 TCB SCREW
16	VIT0000008	M 3*25 TCB SCREW
17	VIT0000003	SCREW HEAD TAP CAP M3X8
18	VIT0003002	WASHER 3,2X7X0,5
19	VIT0000006	SCREW HEAD TAP CAP M3X16
20	ELE0001525	MICROSWITCH
21	4001002092	BATCHER PLATE
22/a	4001002091R	§ GRINDER PLATE SUPPORT For Coffee beans group D. 36
22/b	4001002096	BATCHER PLATE SUPPORT For Coffee beans group D. 40
23	4001002084	PIN
24	350000011	SPRING
25	4001002068	SPRING
26	4001002093	MICRO SWITCH SUPPORT
27/a	Z0320005056	COFFEE CHUTE D 36 For Coffee beans group D. 40 Up to serial 02359999
27/b	Z0320005061	COFFEE CHUTE D 36 For Coffee beans group D. 36 from serial 02360001
100	Z0350002001CL	COFFEE BATCHER GROUP
101	Z0350002006CL	§ BATCHER 24V
102	Z0350001105R	§ BATCHER LEVER
103	ELE0000060R	§ ELECTROMAGNET+PIN

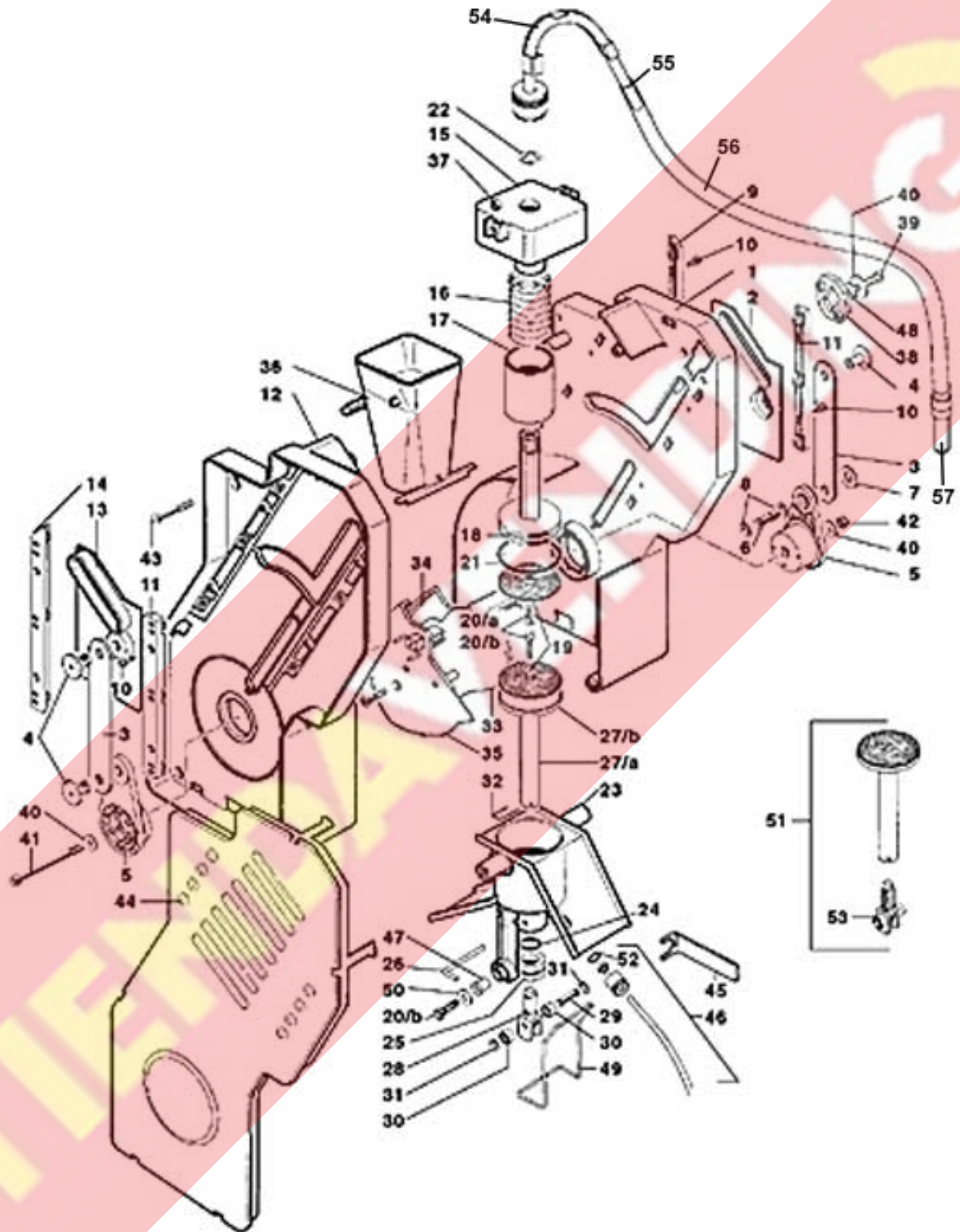


boiler - micro coffee group housing		
Pos.	Code	Description
1		See table micro coffee group housing
2	Z0260005022	GROUNDING COFFEE BAG SUPP PLATE
3	VIT0002401	SCREW ST HEAD CAP M3.5X9.5
4	VIT0000236	SCREW HEX HEAD M6X11
5	Z0260005021	GROUNDING COFFEE BAG RING
6	IMB0000051	BAG MM310X750X SP.0,5
7		See table micro coffee group
8	1600001098	RUBBER SPACER D. 4,5
9	VIT0000030	SCREW HEAD TAP CAP M4X7
10/a		See table mm 195 micro group boiler
10/b		See table mm 150 micro group boiler



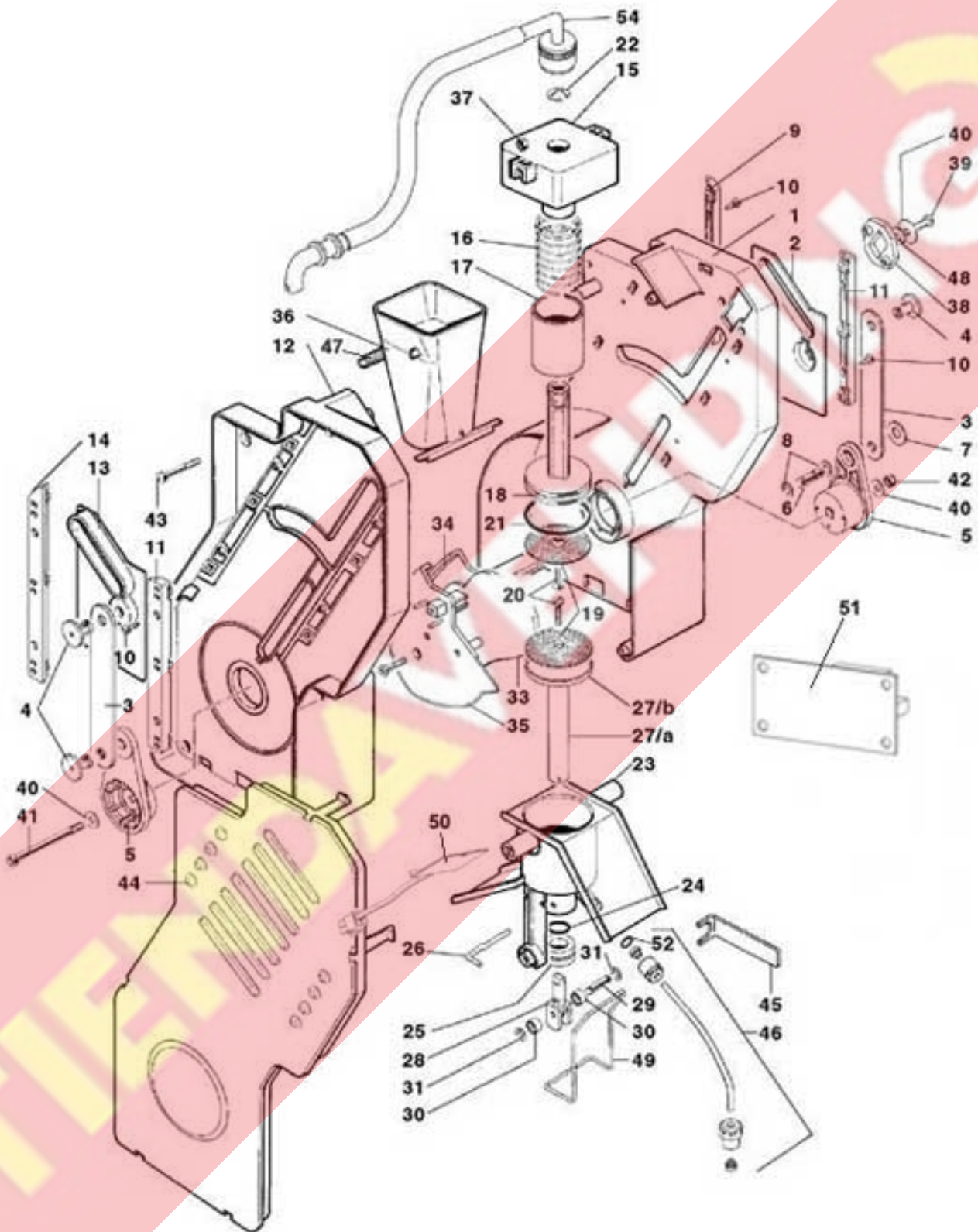


<b>micro coffee group housing</b>		
<b>Pos.</b>	<b>Code</b>	<b>Description</b>
1	Z0260010155	MICRO GROUP BOILER SUPPORT
2	2500002005	SHOE
3	VIT0007025	M 3 x 7 COPPER RIVET
4	2500002003	BEARING
5	Z0260003014	PIN BEARING
6	Z0260005006	GROUP HOUSING GUIDE
7	VIT0000012	SCREW HEAD TAP CAP M4X10
8	VIT0003103	SPRING WASHER 4,3
9	VIT0004503	NUT M4
10	Z0260010157	FRONT SUPPORT
11	Z0260010118	PROTECTION
12	VIT0002401	SCREW ST HEAD CAP M3.5X9.5
13	Z0260010103	MICRO GROUP D.36 HOOKING BLOCK
14	Z0010020132	FIXING PLATE
15	VIT0003301	WASHER 4,3X12X1,5
16	VIT0000030	SCREW HEAD TAP CAP M4X7
17	VIT0003105	SPRING WASHER 6,4
18	VIT0004505	NUT M6
19	Z0260010102CK-06	MICRO GROUP MOTOR SUPPORT 7037
20	Z0090002186	GEAR MOTOR 8.5 RPM 220/50
21	Z0250008093	MICRO PLATE
22	4600010014	SPACER
23	ELE0001529	MICROSWITCH WITH LEVER
25	VIT0000007	SCREW HEAD TAP CAP M3X20
26	VIT0004701	NUT M3
27	Z0250008091	SPACER
28	Z0250008092	M4 SPECIAL SCREW
29	VIT0005521	SCREW HEX HEAD REC TAP M4X25
30	Z0250008043	MICRO GROUP READER DISK
31	Z0250008012	MOTOR CRANK
32	Z0250008034	HOOKING LEVER
33	Z0250008059	SPRING
34	VIT0005205	DOWEL PIN 4X40
35	VIT0005508	SCREW HEX HEAD REC TAP M4X12
36	VIT0003003	WASHER 4,3X8X0,8
37	ELE0001506	MICROSWITCH
38	Z0260010207CK	COFFEE POWDER CHUTE RAL7037
39	Z0260010112	GROUNDS CHUTE
40	Z0260005161	MOTOR PROTECTION
100	KIT0090002186	KIT MOTOR MICRO BREWER UPDATE



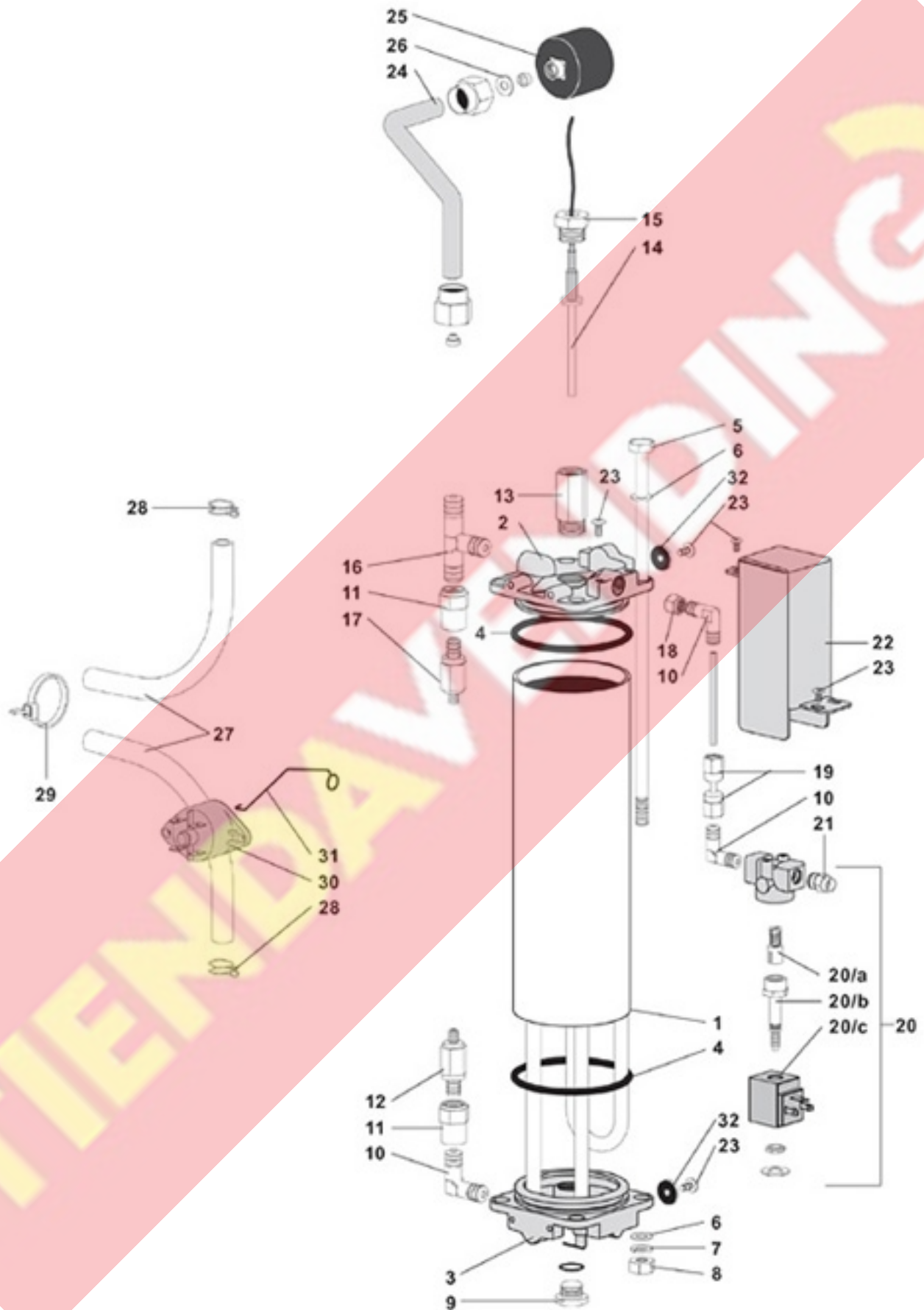
micro coffee group		
Pos.	Code	Description
1	Z0250008005R	§ MICRO BREWER COVERS-L.H+R.H
2	Z0250008084	INFUSION CHAMBER CAM-RIGHT
3	Z0250008009	CONNECTING ROD
4	Z0250008028	CONNECTING ROD PIN
5	Z0250008011	RIGHT CRANK
6	Z0250008014	PIN
7	Z0250008042	ANTIVIBRATION WASHER
8	VIT0006515	RING 5
9	Z0250008031	REAR RIGHT GUIDE
10	VIT0002026	SCREW ST HEAD CAP M3.5X6.5
11	Z0250008033	FRONTAL GUIDE
12	Z0250008005R	§ MICRO BREWER COVERS-L.H+R.H
13	Z0250008085	INFUSION CHAMBER CAM-LEFT
14	Z0250008032	REAR LEFT GUIDE
15	Z0250008086	UPPER FILTER SUPPORT
16	Z0250008024	UPPER FILTER SPRING
17	Z0250008087	SPRING COVER PIPE
18/a	Z0250008026R	§ UPPER COFFEE FILTER D 36 For Coffee beans group D. 36 (Pos.18/a+19/a+21/a+20)
18/b	Z0250008208R	§ UPPER COFFEE FILTER D.40 For Coffee beans group D. 40 --- (Pos. 18/b+19/b+21/b+20)
19/a	Z0250008099	COFFEE FILTER For Coffee beans group D. 36
19/b	Z0250008211	COFFEE FILTER D 37.3 For Coffee beans group D. 40
20/a	VIT0001202	SCREW COUNT FLAT HEAD M3X14
20/b	VIT0000121	SCREW COUNT FLAT HEAD M3X8
21/a	GUA0000080	OR 4112 RED SILICONE LSR70 For Coffee beans group D. 36
21/b	GUA0000097	OR 4131 RED SILICONE LSR70 For Coffee beans group D. 40
22	VIT0006513	RING 8
23/a	Z0250008046R	§ BREWER INFUSION CHAMBER For Coffee beans group D. 36
23/b	Z0250008206R	§ LOWER COFFEE FILTER D.40 For Coffee beans group D. 40
24	GUA0000065	OR 112 SILICON
25	Z0250008053	LOWER INLET CUP BUSH
26	Z0250008029	FUNNEL PIN
27/a	Z0250008108	LOWER FILTER SHAFT
27/b	Z0250008122	COFFEE FILTER LOW 36 For Coffee beans group D. 36
27/c	Z0250008209IC	LOWER COFFEE FILTER D.40 For Coffee beans group D. 40
28	Z0250008106	BEARING SUPPORT
29	Z0250008021	BEARING SHAFT
30	Z0250008022	BEARING
31	VIT0006517	RING 3.2
32	Z0250008027	LOWER FILTER PIN
33	Z0250008083	CAM
34	Z0250008016	CAM RIGHT
35	Z0250008017	CAM LEFT
36	Z0250008036	COFFEE FUNNEL
37	VIT0004803	NUT M4
38	Z0250008035	SETTING PLATE
39	VIT0000032	SCREW HEAD TAP CAP M4X8
40	VIT0003309	WASHER4,3X16X1,5

micro coffee group		
41	VIT0005523	SCREW HEX HEAD REC TAP M4X60
42	VIT0004810	NUT M4
43	VIT0002461	SCREW HEAD TAP M4.2X26
44	Z0250008039CM	MICRO BREWER COVER-L.H RAL9006
44	Z0250008039IC	MICRO BREWER COVER-L.H RAL2011
45	Z0250008048	KEY FOR NUT
46	Z0250008110CL	§ WATER INLET PIPE
47	VIT0009203	INSERT
48	VIT0003451	SPRING WASHER 4,2
49	Z0250008094	SCRAPER
50	Z0250008088	WASHER
51	Z0250008109R	§ LOW.COFFEE FILTER D.36+BEAR.
52	GUA0000061	OR 2010 VITON 80 BLACK
53	Z0250008107R	BEARING SUPPORT
54/a	Z0250008143CL	§ COFFEE OUTLET PIPE
54/b	Z0250008134CL	§ COFFEE OUTLET PIPE
55	FASC000105	CLAMP
56	TSIL06/09T-10	SILICON HOSE 6X9 MT.10 For 50m roll select code TSIL06/09T-50
57	Z0380010657NA	ESPRESSO NOZZLE D. 5,7
100	Z0250008001R	COFFEE BREWER MICRO D.36 For Coffee beans group D. 36
101	Z0250008201R	COFFEE BREWER MICRO D.40 For Coffee beans group D. 40
104	Z0250008108R	§ LOWER COFFEE FILTER D.36



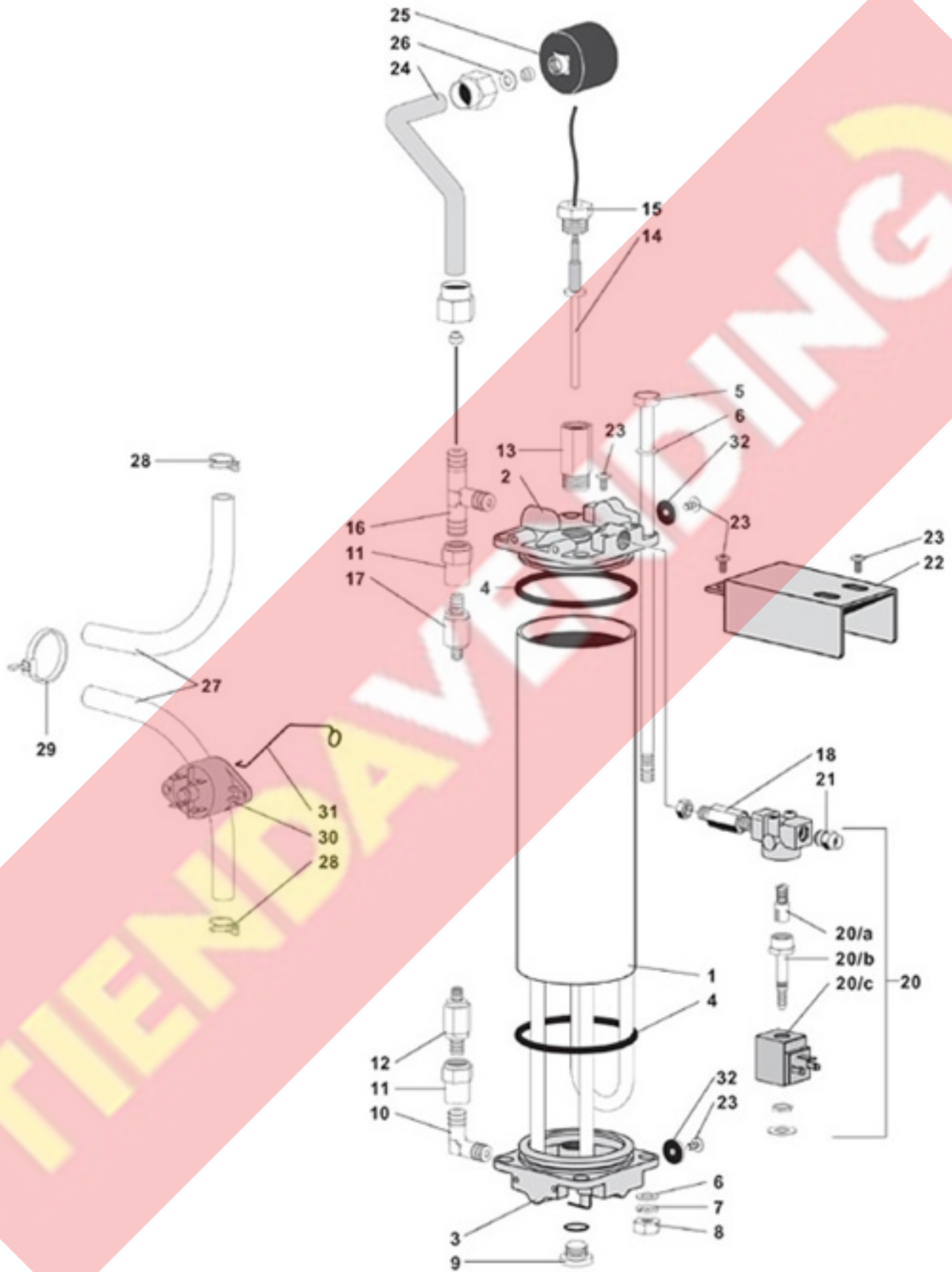
heated micro coffee group		
Pos.	Code	Description
1	Z0250008005R	§ MICRO BREWER COVERS-L.H+R.H
2	Z0250008084	INFUSION CHAMBER CAM-RIGHT
3	Z0250008009	CONNECTING ROD
4	Z0250008028	CONNECTING ROD PIN
5	Z0250008011	RIGHT CRANK
6	Z0250008014	PIN
7	Z0250008042	ANTIVIBRATION WASHER
8	VIT0006515	RING 5
9	Z0250008031	REAR RIGHT GUIDE
10	VIT0002026	SCREW ST HEAD CAP M3.5X6.5
11	Z0250008033	FRONTAL GUIDE
12	Z0250008005R	§ MICRO BREWER COVERS-L.H+R.H
13	Z0250008085	INFUSION CHAMBER CAM-LEFT
14	Z0250008032	REAR LEFT GUIDE
15	Z0250008086	UPPER FILTER SUPPORT
16	Z0250008024	UPPER FILTER SPRING
17	Z0250008087	SPRING COVER PIPE
18	Z0250008226R	§ UPPER COFFEE FILTER D.36 For Coffee beans group D. 36 (From pos.18 to pos.21)
19	Z0250008019	COFFEE FILTER
20	VIT0000121	SCREW COUNT FLAT HEAD M3X8
21	GUA0000080	OR 4112 RED SILICONE LSR70
22	VIT0006513	RING 8
23	Z0250008215R1	BREWER CHAMBER
24	GUA0000065	OR 112 SILICON
25	Z0250008053	LOWER INLET CUP BUSH
26	Z0250008029	FUNNEL PIN
27/a	Z0250008108	LOWER FILTER SHAFT
27/b	Z0250008122	COFFEE FILTER LOW 36
28	Z0250008226	BEARING SUPPORT
29	Z0250008021	BEARING SHAFT
30	Z0250008022	BEARING
31	VIT0006517	RING 3.2
33	Z0250008083	CAM
34	Z0250008016	CAM RIGHT
35	Z0250008017	CAM LEFT
36	Z0250008036	COFFEE FUNNEL
37	VIT0004803	NUT M4
38	Z0250008035	SETTING PLATE
39	VIT0000032	SCREW HEAD TAP CAP M4X8
40	VIT0003309	WASHER4,3X16X1,5
41	VIT0005523	SCREW HEX HEAD REC TAP M4X60
42	VIT0004810	NUT M4
43	VIT0002461	SCREW HEAD TAP M4.2X26
44	Z0250008039CM	MICRO BREWER COVER-L.H RAL9006
44	Z0250008039IC	MICRO BREWER COVER-L.H RAL2011
45	Z0250008048	KEY FOR NUT
46	Z0250008110CL	§ WATER INLET PIPE

heated micro coffee group		
47	Z0250008119	SPRING
48	VIT0003451	SPRING WASHER 4,2
50	Z0250008213R	§ HEATING ELEMENT
51	SCH0006880	HEATING ELEMENT BOARD
52	GUA0000061	OR 2010 VITON 80 BLACK
54	Z0250008130CL	§ COFFEE OUTLET PIPE
100	Z0250008220R	COFFEE BREWER MICRO D.36
101	Z0250008227R	§ BERING SUPPORT (Pos. 28-29-30-31)
102	Z0250008228R	§ LOW.COFFEE FILTER D.36+BEAR.



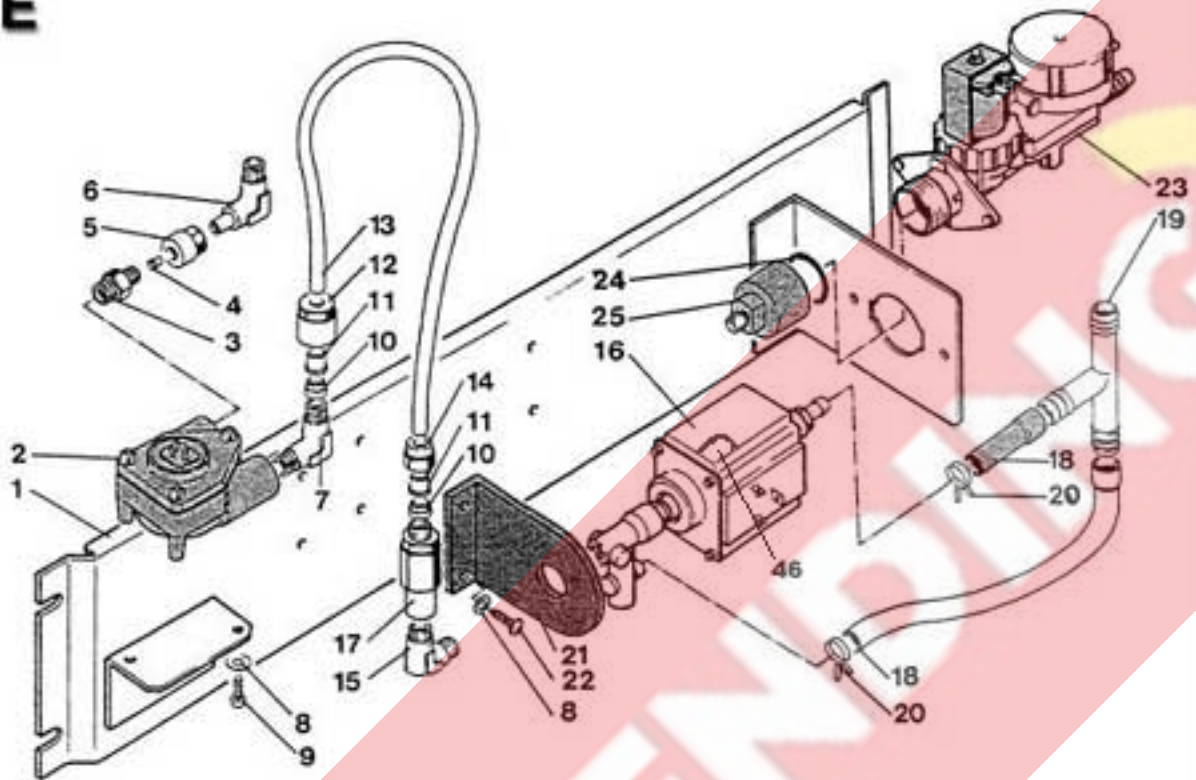


mm 195 micro group boiler		
Pos.	Code	Description
1	250020078	PRESS. WATER TANK
2	Z0600012656	FLANGE
3	250020081R	LOWER FLANGE W/ 1100W 230V HEA
4	GUA0000047	OR 164 VITON 80 BLACK
5	250020079	CONNECTOR
6	VIT0003206	WASHER 8,4X14X1,6
7	VIT0003402	SPRING WASHER 8,4
8	VIT0004506	NUT M8
9	Z0100001064	PLUG + OR VITON 2043
10	Z0100001019	ELBOW CONNECTOR SO2400-6-1/8
11	Z0100001007	STRAIGHT CONNECT SO30-1/8-1/8
12	Z0110002003	SAFETY VALVE E.1/8M U.1/8M
13	Z0100003012	PROBE CONNECTOR
14	ELE0000954R	§ PROBE E + ACCESSORIES
15	Z0600015507	PROBE PLUG
16	Z0100001030	T CONNECTOR SO3700-6-1/8-6
17	Z0110002004	SAFETY VALVE OT400290/V12
18	Z0100001067	CONNECTOR SO40-1/8-1/8
19	Z0600012653CL	§ BOILER CONNECTION TUBE
20	Z0110001072	VALVE 3W 1/8 24DC O
20/a	Z0110010020	§ CORE
20/b	Z0110010035	VALVE 3W SLEEVE
20/c	Z0110010065	COIL 8 W 24 DC
21	Z0100001070	STRAIGHT CONNECTOR 800 4-1/8
22	Z0600012661	VALVE COVER
23	VIT0000030	SCREW HEAD TAP CAP M4X7
24	Z0600012654CL	§ BOILER CONNECTION TUBE
25	Z0110006003	MANOMETER
26	Z0100003002	COPPER GASKET SO5-5-1/8
27/a	TSIL07/11T-10	SILICON HOSE 7X11 MT.10
27/b	TSIL07/11T-50	SILICON HOSE 7X11 MT.50
28	FASC000102	CLAMP
29	FASC000201	CLAMP L.14 CM
30	ELE0009001	CLIXON 120 °C
31	250020087	SPRING
32	1600001098	RUBBER SPACER D. 4,5
100	Z0600012650CL	§ PRESS. BOILER 195 MM

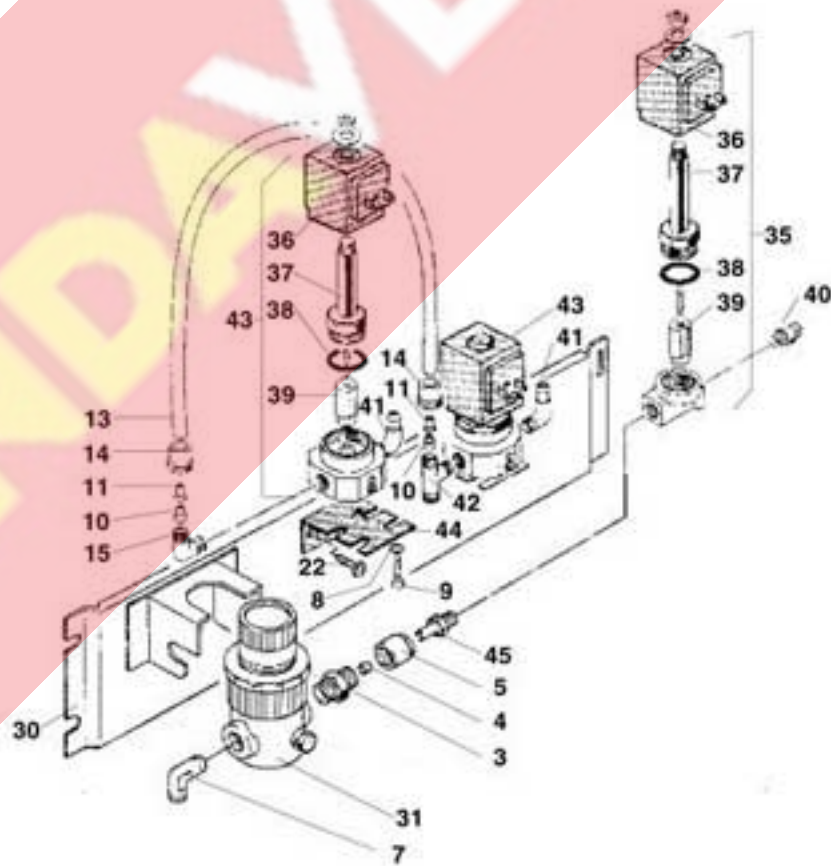


mm 150 micro group boiler		
Pos.	Code	Description
1	Z0600012514	PRESS. WATER TANK 150MM
2	Z0600012656	FLANGE
3	Z0600012512R	REAR FLANGE+HEATING ELE.+POS.3 Pos. 3+9
4	GUA0000047	OR 164 VITON 80 BLACK
5	Z0600012515	CONNECTOR
6	VIT0003206	WASHER 8,4X14X1,6
7	VIT0003402	SPRING WASHER 8,4
8	VIT0004506	NUT M8
9	Z0100001064	PLUG + OR VITON 2043
10	Z0100001019	ELBOW CONNECTOR SO2400-6-1/8
11	Z0100001007	STRAIGHT CONNECT SO30-1/8-1/8
12	Z0110002003	SAFETY VALVE E.1/8M U.1/8M
13	Z0100003012	PROBE CONNECTOR
14	ELE0000954R	§ PROBE E + ACCESSORIES
15	Z0600015507	PROBE PLUG
16	Z0100001030	T CONNECTOR SO3700-6-1/8-6
17	Z0110002004	SAFETY VALVE OT400290/V12
18	Z0110001220	STRAIGHT CONNECTOR MM 1/8 GC
20	Z0110001072	VALVE 3W 1/8 24DC O
20/a	Z0110010020	§ CORE
20/b	Z0110010035	VALVE 3W SLEEVE
20/c	Z0110010065	COIL 8 W 24 DC
21	Z0100001070	STRAIGHT CONNECTOR 800 4-1/8
22	Z0600012659	VALVE COVER
23	VIT0000030	SCREW HEAD TAP CAP M4X7
24	Z0600012662CL	§ BOILER CONNECTION TUBE
25	Z0110006003	MANOMETER
26	Z0100003002	COPPER GASKET SO5-5-1/8
27/a	TSIL07/11T-10	SILICON HOSE 7X11 MT.10
27/b	TSIL07/11T-50	SILICON HOSE 7X11 MT.50
28	FASC000102	CLAMP
29	FASC000201	CLAMP L.14 CM
30	ELE0009001	CLIXON 120 °C
31	250020087	SPRING
32	1600001098	RUBBER SPACER D. 4,5
100	Z0600012660CL	§ PRESS. BOILER 150 MM

**E**



**E/FP**

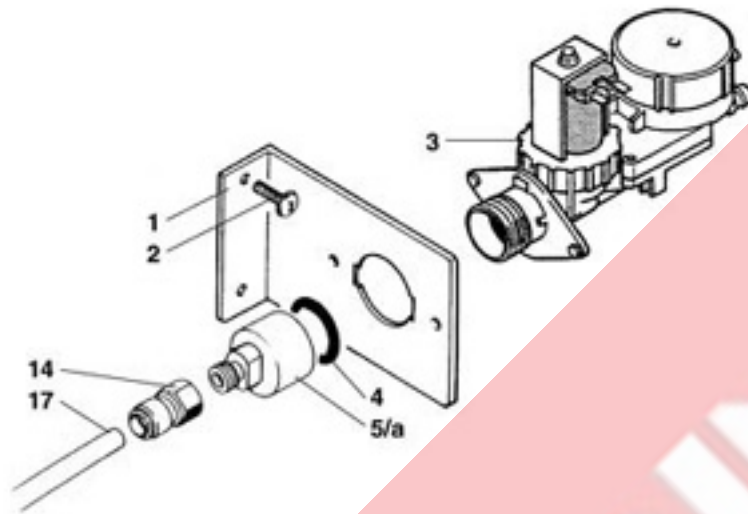


inlet assembly e-e/FP version		
Pos.	Code	Description
1	Z0810010555	HYDRAULIC COMPONENTS SUPPORT
2	Z0110007001	VOLUMETRIC COUNTER
3	Z0100001015	STRAIGHT CONNECT SO1100-8-1/4
4	Z0100002003	LOCKING RING SO1-8
5	Z0100001004	TAP CONNECTOR SO20-8-1/4
6	Z0100001026	""L"" FITTING D.8-1/4 CAN BE
7	Z0100001059	ELBOW 805 6-1/4 OR VITON
8	VIT0003301	WASHER 4,3X12X1,5
9	VIT0000204	SCREW HEX HEAD M4X8
10	Z0100002002	LOCKING RING SO1-6
11	Z0100002005	NUT D.4
12	Z0100001003	TAP CONNECTOR SO20-6-1/4
13	TTEF04/06T	PTFE PIPE 4X6
14	Z0100001002	CONNECTOR NUT
15	Z0100001019	ELBOW CONNECTOR SO2400-6-1/8
16/a	Z0110004002R	§ ESPRESSO PUMP For Coffee beans group D. 36
16/b	Z0110004041CLB	§ PUMP EX5 230VAC+BY PASS 80 For Coffee beans group D. 40
17	Z0110002007	SAFETY VALVE E.1/8F U.1/8M
18/a	TSIL07/11T-10	SILICON HOSE 7X11 MT.10 For Coffee beans group D. 36
18/a	TSIL07/11T-50	SILICON HOSE 7X11 MT.50 For Coffee beans group D. 36
18/b	TSIL06/11T-10	SILICON HOSE 6X11 MT.10 For Coffee beans group D. 40
18/b	TSIL06/11T-50	SILICON HOSE 6X11 MT.50 For Coffee beans group D. 40
19	Z0100003007	T CONNECTOR 463 TS
20	FASC000101	CLAMP
21/a	Z0220001002	PUMP SUPPORT For Coffee beans group D. 36
21/b	Z0110004022	SUPPORT For Coffee beans group D. 40
22	VIT0002401	SCREW ST HEAD CAP M3.5X9.5
23	Z0110001119	WATER INLET VALVE 24V DC
24	GUA0000021	OR 130 NBR AL 75 BLACK
25	Z0810010556	H2O INLET CONNECTOR
30	Z0810010588CK	WATER COMPONENTS SUPPORT
31	Z0110003007	MICROREGULATOR
35	Z0110001064	WATER INLET VALVE 2W 24V DC
36	Z0110010065	COIL 8 W 24 DC
37	Z0110010088	2-WAY VALVE SLEEVE
38	Z0110010009	OR 2062
39	Z0110010021	CORE WITH SPRING FOR 2-WAY VALVE
40	Z0100001017	STRAIGHT CONNECT SO1100-6-1/8
41/a	820001039	CONNECTOR 2400-8-1/8 For Coffee beans group D. 36
41/b	Z0110004023	CONNECTOR For Coffee beans group D. 40
42	Z0100001030	T CONNECTOR SO3700-6-1/8-6
43	Z0110001076	VALVE 2W 24V DC
44	Z0810010211	VALVE BRACKET
45	9003001040	H2O INLET CONNECTOR
46	ELE0000915	PUMP THERMOPROTECTOR For Coffee beans group D. 40
100	Z0810010100CL	E DC VERSION INLET ASSEMBLY For Coffee beans group D. 36
101	Z0810010101CL	E/FP VERSION - 2 DC VALVES ASS For Coffee beans group D. 36

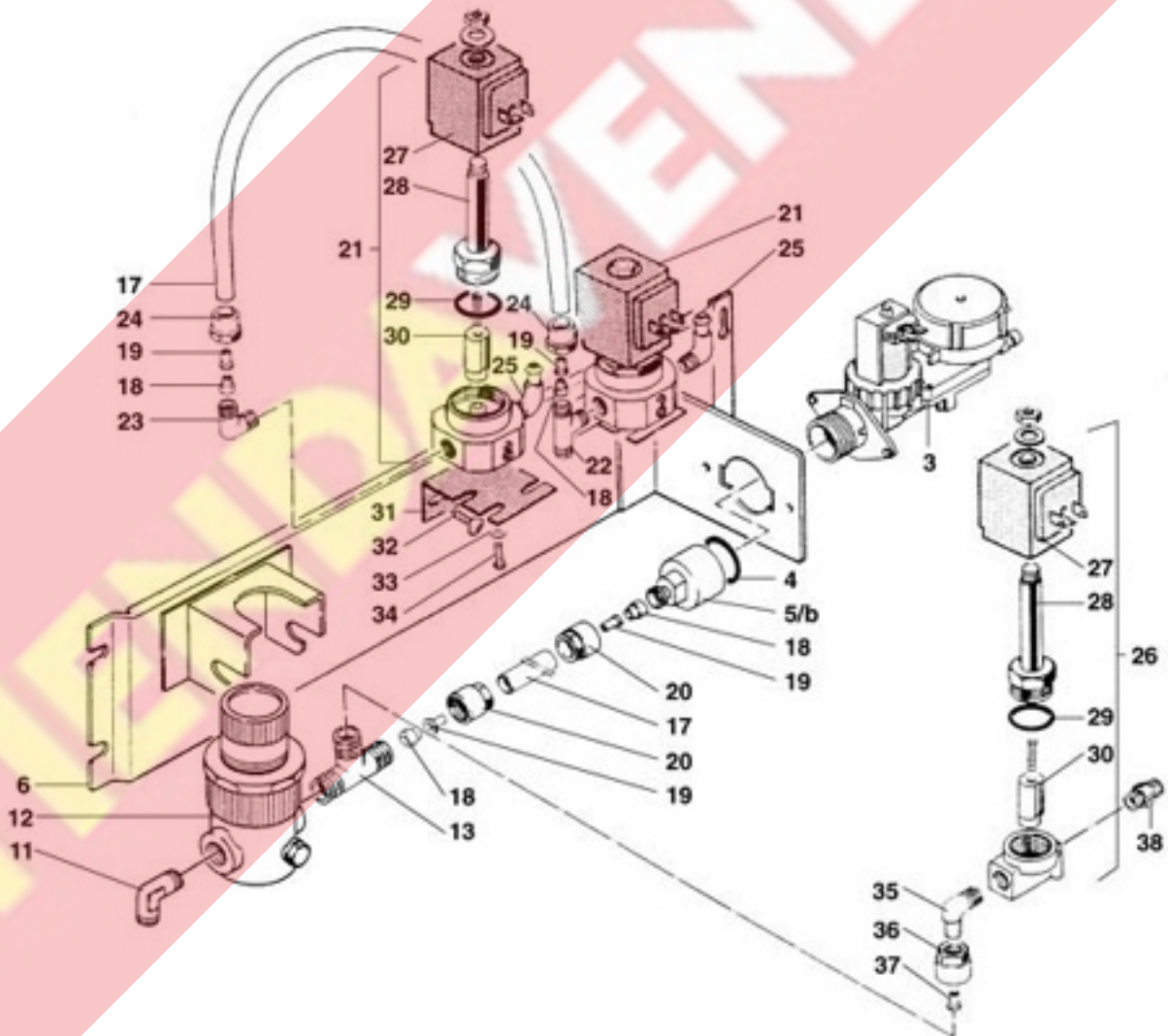
inlet assembly e-e/fp version		
102	Z0810010107CL	E/FP VERSION - 2 DC VALVES ASS For Coffee beans group D. 36
103	Z0810010128CL	LUCE E DC EX 7 VERSION ASSEMBLY For Coffee beans group D. 40



# H



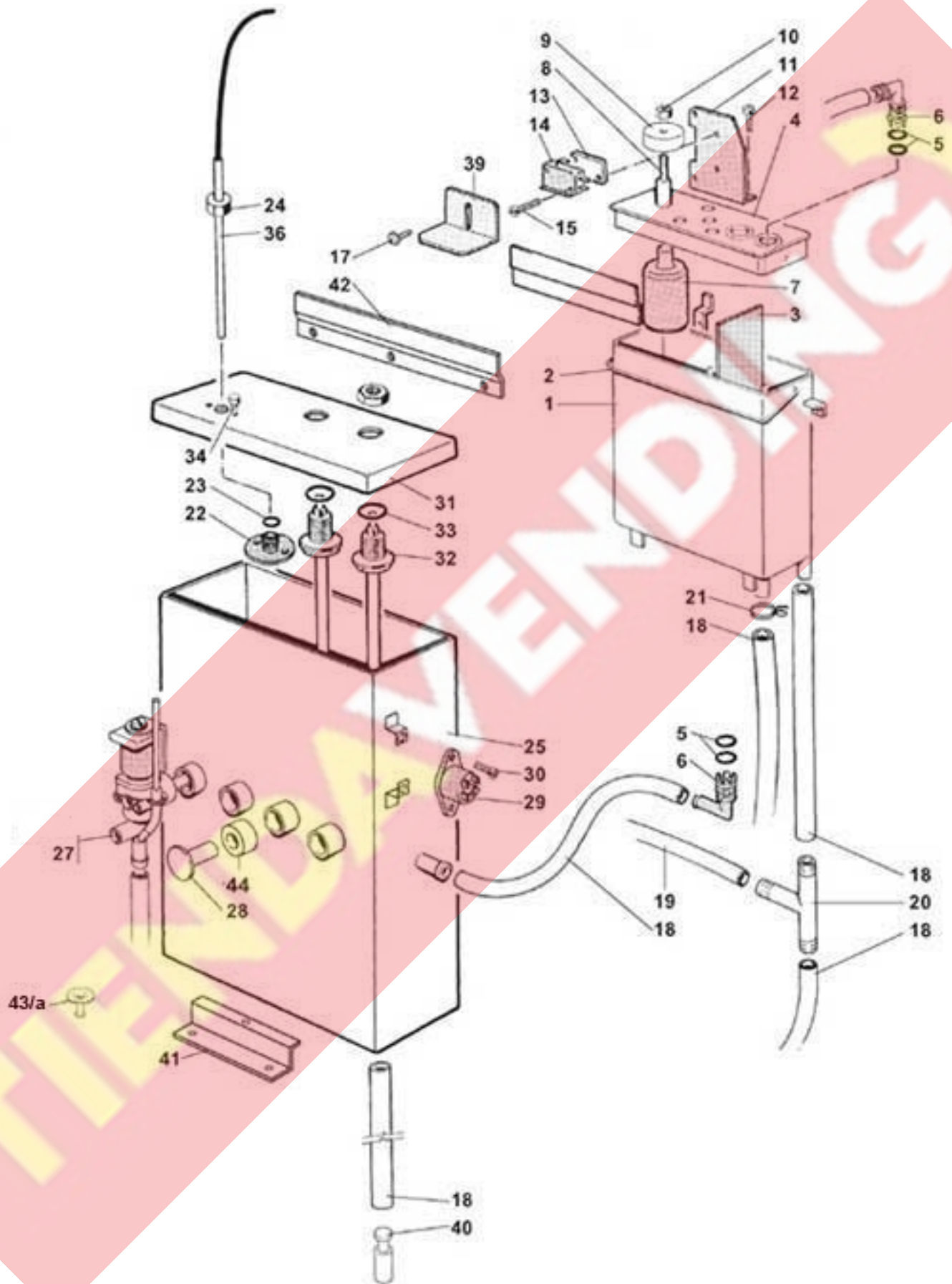
# H/FP



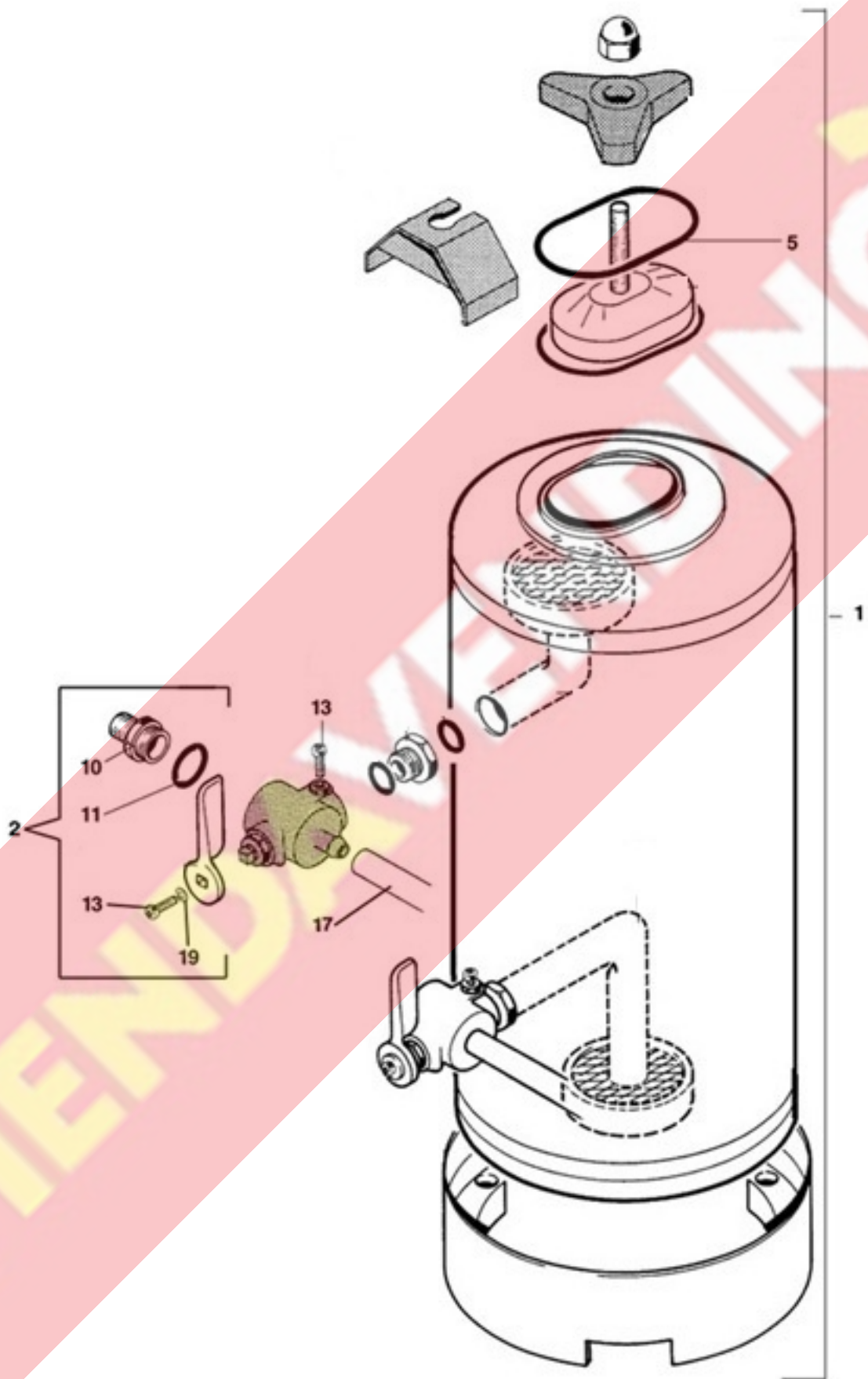
inlet assembly h-h/fp version		
Pos.	Code	Description
1	Z0070012111CK	INLET H2O VALVE SUP. RAL7037
2	VIT0000030	SCREW HEAD TAP CAP M4X7
3	Z0110001119	WATER INLET VALVE 24V DC
4	GUA0000021	OR 130 NBR AL 75 BLACK
5/a	Z0010019223	H2O INLET CONNECTOR 3/4F-3/8M
5/b	Z0810010556	H2O INLET CONNECTOR
6	Z0810010587	WATER COMPONENTS SUPPORT
11	Z0100001059	ELBOW 805 6-1/4 OR VITON
12	Z0110003007	MICROREGULATOR
13	Z0100001039	T CONNECTOR SO3700-1/4-8-8
14	Z0100005003	STRAIGHT TERMINAL D.6 - 1/4 F.
17	TTEF04/06T	PTFE PIPE 4X6
18	Z0100002002	LOCKING RING SO1-6
19	Z0100002005	NUT D.4
20	Z0100001003	TAP CONNECTOR SO20-6-1/4
21	Z0110001076	VALVE 2W 24V DC
22	Z0100001030	T CONNECTOR SO3700-6-1/8-6
23	Z0100001019	ELBOW CONNECTOR SO2400-6-1/8
24	Z0100001002	CONNECTOR NUT
25	820001039	CONNECTOR 2400-8-1/8
26	Z0110001064	WATER INLET VALVE 2W 24V DC
27	Z0110010065	COIL 8 W 24 DC
28	Z0110010088	2-WAY VALVE SLEEVE
29	Z0110010009	OR 2062
30	Z0110010021	CORE WITH SPRING FOR 2-WAY VALVE
31	Z0810010211	VALVE BRACKET
32	VIT0002401	SCREW ST HEAD CAP M3.5X9.5
33	VIT0003301	WASHER 4,3X12X1,5
34	VIT0000204	SCREW HEX HEAD M4X8
35	250020146	ELBOW 1/8
36	Z0100001004	TAP CONNECTOR SO20-8-1/4
37	Z0100002003	LOCKING RING SO1-8
38	Z0100001017	STRAIGHT CONNECT SO1100-6-1/8
100	Z0810010108CL	H/FP VERSION INLET ASSEMBLY W/SAF. DEVICE



water inlet panel

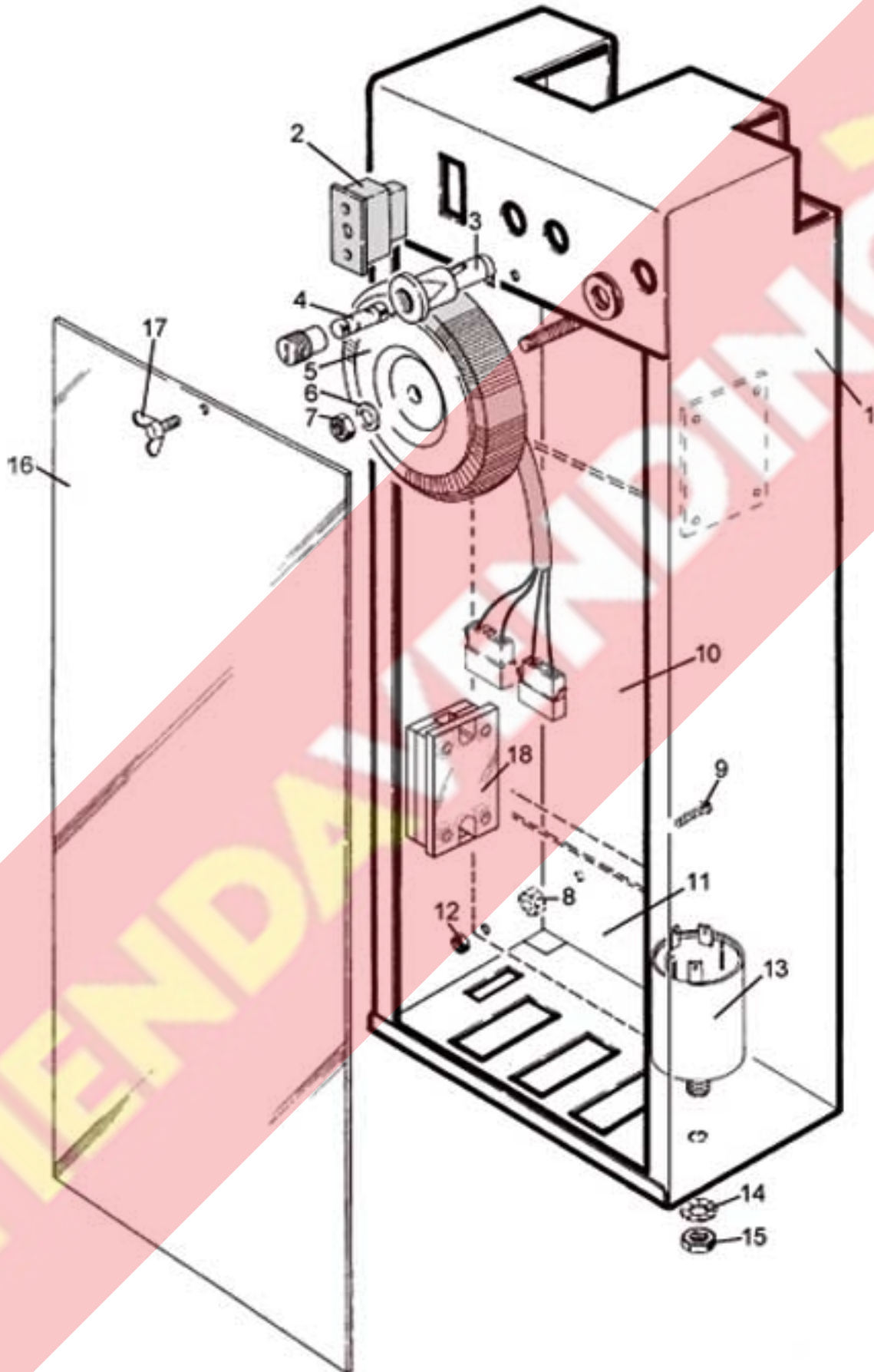


water inlet panel		
Pos.	Code	Description
1	Z0800009201R	§ AIR BREAK Pos.1+4
2	800000035	FIXING COVER RING
3	800000010	AIR BREAK SPLITTER
4	Z0800009201R	§ AIR BREAK Pos.1+4
5	GUA0000043	OR 109 NBR AL 75 BLACK
6	Z0800009211	ELBOW CONNECTOR
7	600001065	WASTE FLOAT
8	800000016	WASTE FLOAT SHAFT INOX
9	800000017	DISK
10	VIT0004812	NUT M3.5
11	800000020A	AIR BREAK MICROSWITCH HOLDER
12	VIT0002014	SCREW ST HEAD CAP M2.9X13
13	4600010014	SPACER
14	ELE0001514	MICROSWITCH 3A 125-250VA
15	VIT0002012	SCREW ST HEAD CAP M2.9X16
17	VIT0002401	SCREW ST HEAD CAP M3.5X9.5
18/a	TSIL07/11T-10	SILICON HOSE 7X11 MT.10
18/b	TSIL07/11T-50	SILICON HOSE 7X11 MT.50
19/a	TSIL05/08T-10	SILICON HOSE 5X8 MT.10
19/b	TSIL05/08T-50	SILICON HOSE 5X8 MT.50
20	Z0100003023	T CONNECTOR 462 TS UL
21	FASC000109	CLAMP
22	NL202101016	PROBE HOLDER
23	GUA0000069	OR 2015 VITON 80 BLACK
24	Z0600011107	PROBE NUT
25/a	Z0600012052	BOILER TANK 4 VALVE AISI 316
25/b	Z0600012051	BOILER TANK 3 VALVE AISI 316
25/c	Z0600012053	BOILER TANK 5 VALVE AISI 316
26	Z0110001098	VALVE 2W 24V DC
27	Z0110001108	VALVE 2W 24V DC from serial 04220001
27/a	Z0110010132	GASKET FOR EV 0110001108 from serial 04220001
27/b	Z0110010133	CORE from serial 04220001
28	Z0600011036	SOLEN. VALVE PLUG
29	ELE0009037	CLICSON 90g
30	VIT0000014	SCREW HEAD TAP CAP M4X16
31	Z0600011101	LID
32	Z0600011105	HEATING ELEMENT 1300 W 230 V
33	GUA0000016	OR 121 RED SILICONE LSR70
34	VIT0001105	SCREW HEX HEAD M3X8
36	ELE0000955R	§ PROBE I + ACCESSORIES
39	Z0810011025	LOCKING DEVICE
40	650001057	DRAINER PLUG
41	Z0010015141	LOWER BOILER BRACKET
42	Z0010015142	UPPER BOILER BRACKET
43	Z0110001098	VALVE 2W 24V DC
43/a	Z0110010131	MEMBRANE
44	GUA0002006	GASKET 4979 W.132.013.008

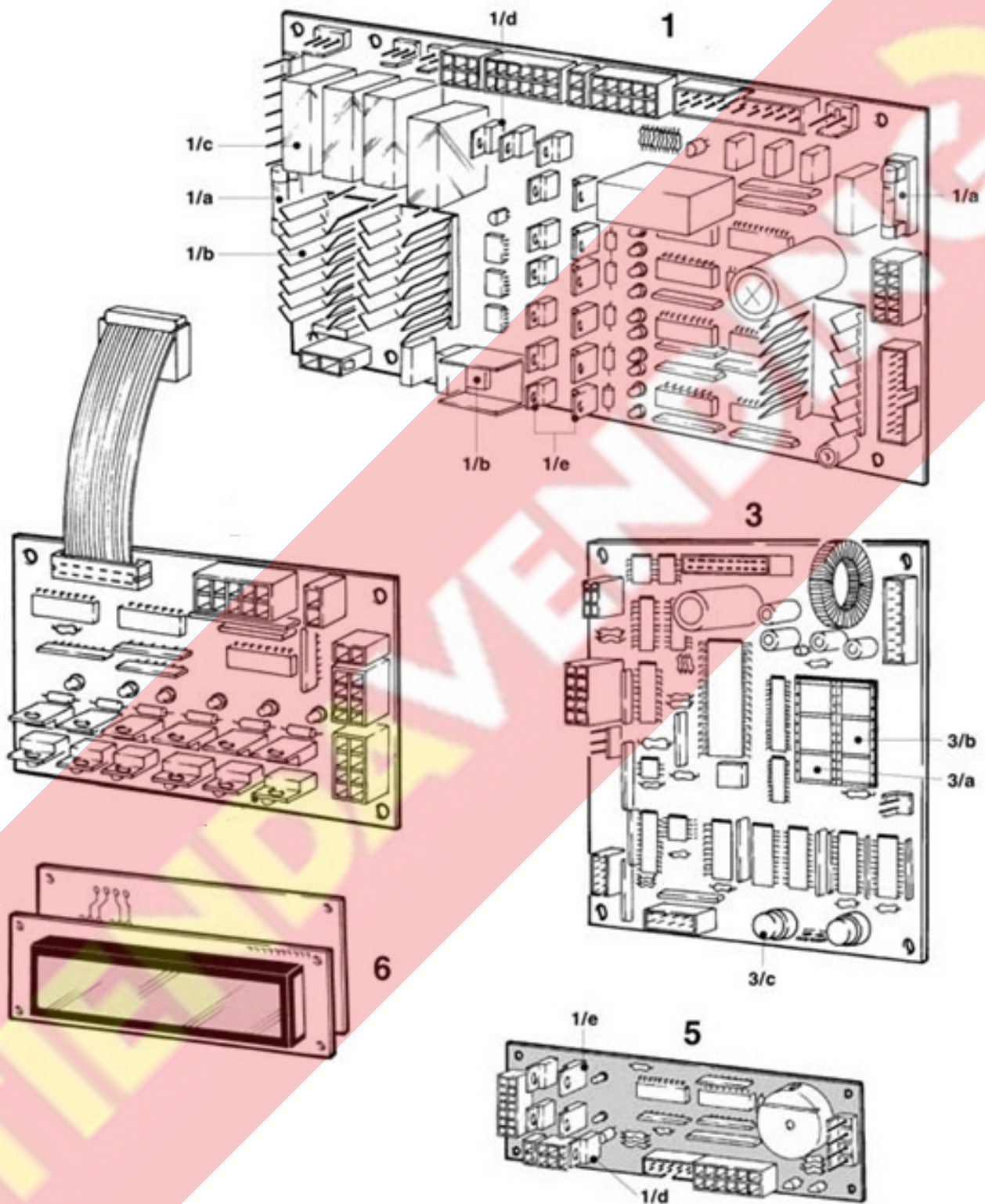


sweetener		
Pos.	Code	Description
1	Z0060002001	SOFTENER 8LT
2	Z0060002030	TAP
5	GUA0000035	OR
10	Z0060002036	TAP CONNECTOR
11	GUA0000013	OR 117 NBR BLACK
13	VIT0000012	SCREW HEAD TAP CAP M4X10
17a	TSIL06/09T-10	SILICON HOSE 6X9 MT.10
17b	TSIL06/09T-50	SILICON HOSE 6X9 MT.50
19	VIT0003301	WASHER 4,3X12X1,5

control panel

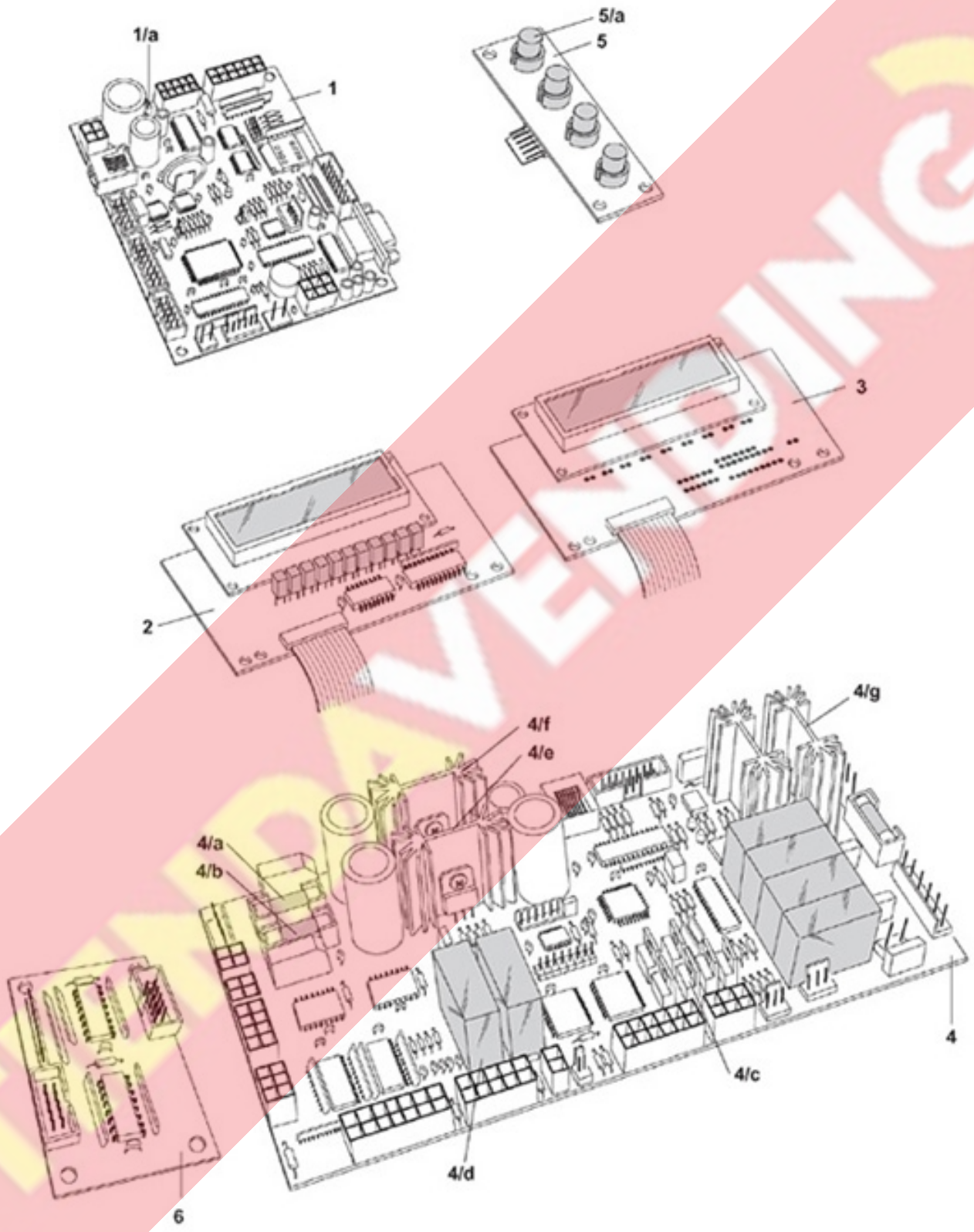


control panel		
Pos.	Code	Description
1	Z0130011555	CONTROL PANEL STRUCTURE
2	ELE0002305	MOLVENO PLUG
3	ELE0003507	FUSE HOLDER 250V 16A
4/a	ELE0003023	FUSE 6.3X32 4A
4/b	ELE0003024	CERAMIC FUSE 6,3X32 12A
5/a	ELE0000561R	TRANSFOMER
5/b	ELE0000565R	TRANSFORMER
6	VIT0003005	WASHER 6,4X12X1,6
7	VIT0004505	NUT M6
8	Z0020018125	SPACER
9	VIT0000014	SCREW HEAD TAP CAP M4X16
10		See table control and power logic
11		See table control and power logic
12	VIT0004503	NUT M4
13	ELE0009055	NOISE FILTER 16A
14	VIT0003106	WASHER D.8,2
15	VIT0004506	NUT M8
16	Z0130011561	CONTROL PANEL COVER
17	VIT0007008	SCREW WINGS 4X10
18	ELE0001014R	RELAY 24VDC

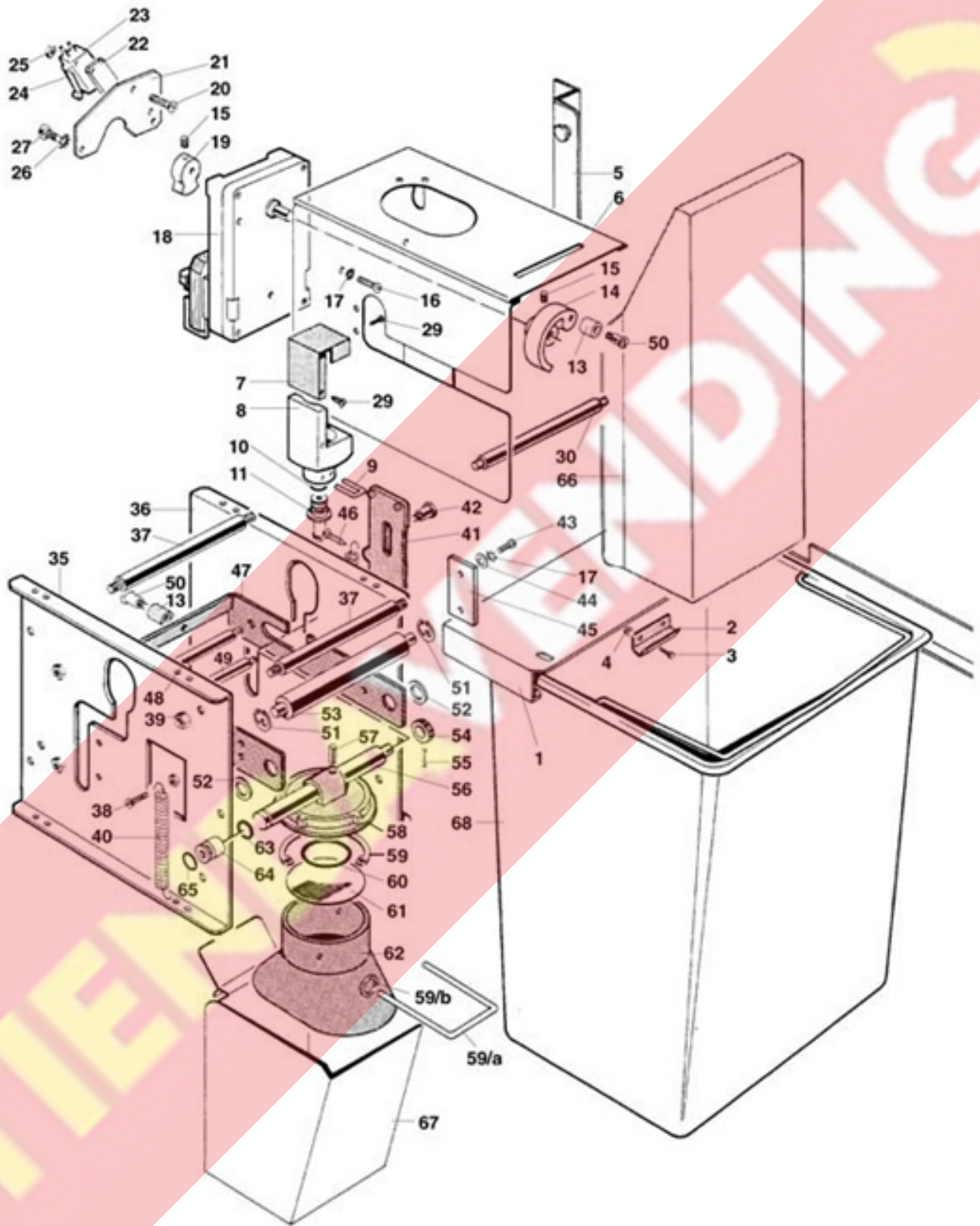


control and power logic		
Pos.	Code	Description
1		COMPONENT NO MORE SOLD
1/a		COMPONENT NO MORE SOLD
1/b		COMPONENT NO MORE SOLD
1/c		COMPONENT NO MORE SOLD
1/d		COMPONENT NO MORE SOLD
1/e		COMPONENT NO MORE SOLD
3	SCH0002860	CPU BOARD
3/a		COMPONENT NO MORE SOLD
3/b		COMPONENT NO MORE SOLD
3/c		COMPONENT NO MORE SOLD
5	SCH0002840	CPU BOARD
6		COMPONENT NO MORE SELLING



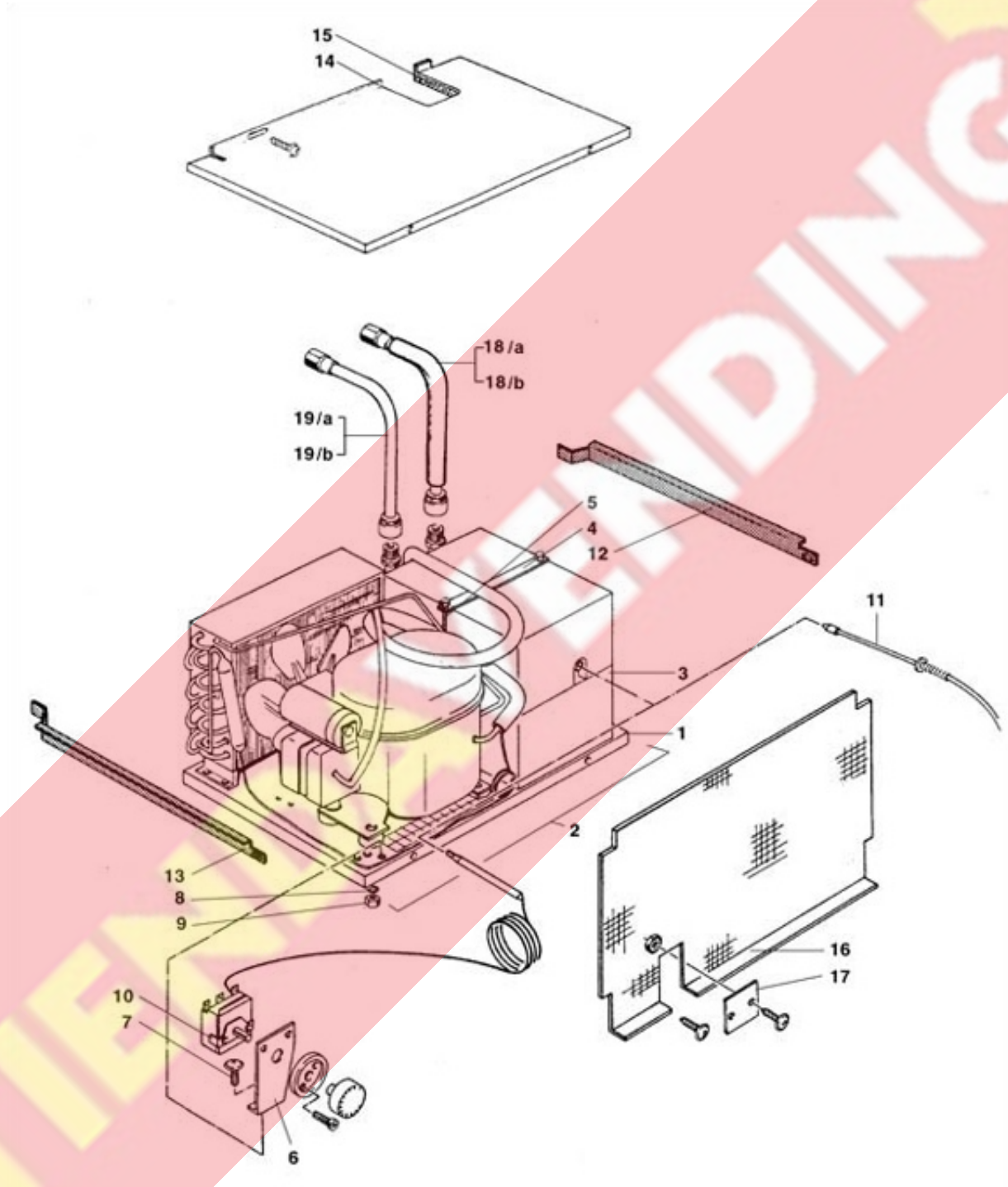


new electronic control and power logic		
Pos.	Code	Description
1	SCH0007220	CPU W/HOLDER BATTERY BOARD
1/a		COMPONENT NO MORE SOLD
2	KITSCH0005520	KIT DISPLAY
3/a	SCH0005960	DISPLAY LIGHTBAR GREEN BOARD
3/b	SCH0010380	DISPLAY LIGHTBAR BLU BOARD-CYR
4	SCH0005140	POWER BOARD
4/a		COMPONENT NO MORE SOLD
4/b		COMPONENT NO MORE SOLD
4/c		COMPONENT NO MORE SOLD
4/d		COMPONENT NO MORE SOLD
4/e		COMPONENT NO MORE SOLD
4/f		COMPONENT NO MORE SOLD
4/g		COMPONENT NO MORE SOLD
5	SCH0003980	PROGRAM KEYPAD
5/a		COMPONENT NO MORE SOLD
6	SCH0004200	KEYPAD BOARD

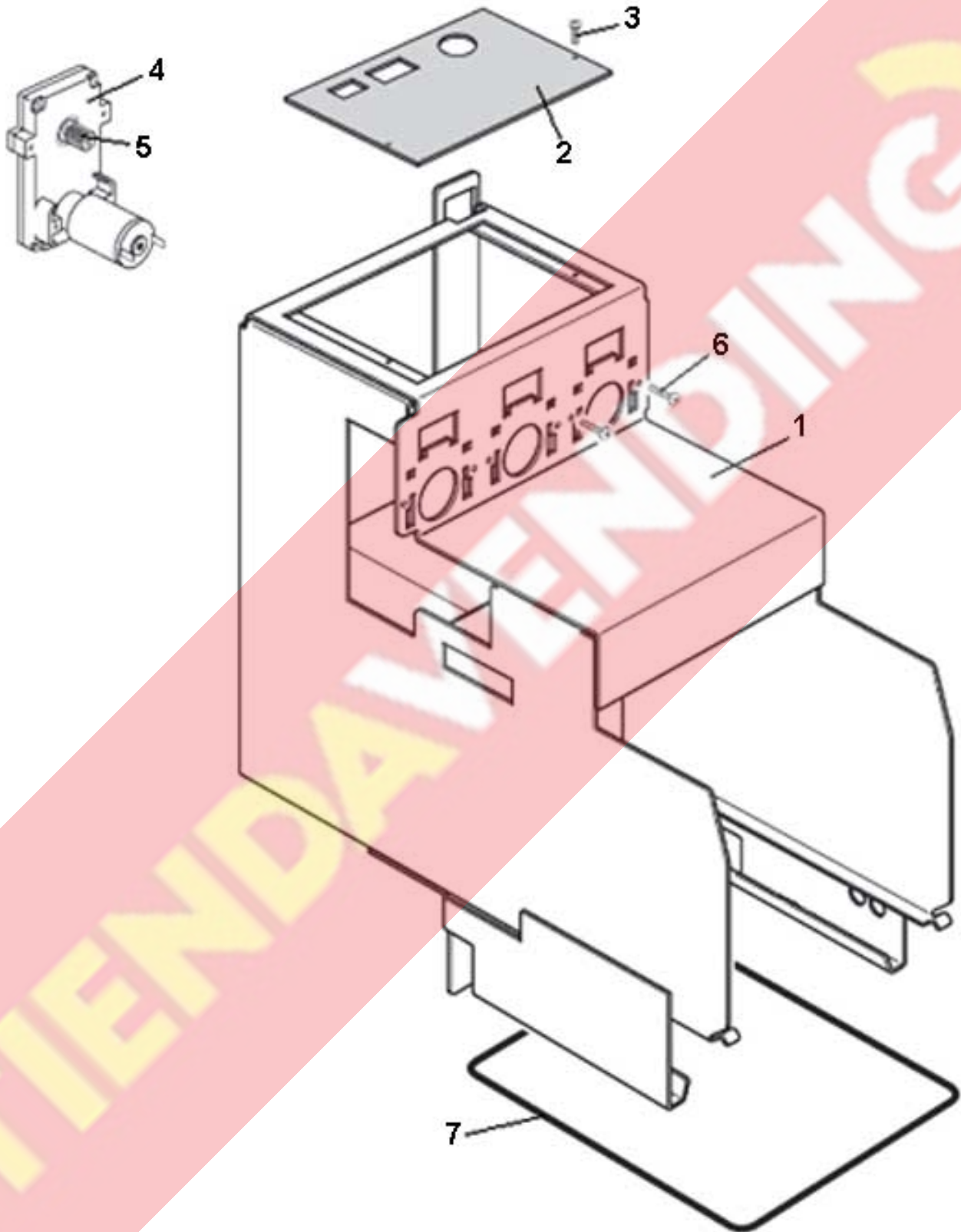


fbt tea infusion group		
Pos.	Code	Description
1	Z0240002145	BIN SUPPORT
2	2500002110	GOUNDS BAG SUPPORT STOP
3	VIT0000003	SCREW HEAD TAP CAP M3X8
4	VIT0004502	NUT M3
5	Z0240002118	TEA HOUSING SUPPORT
6	Z0240002105	TEA HOUSING
7	Z0240002112	FLOW-BREAKER COVER
8	Z0240002025	CONNECTOR
9	Z0240002028	ASSEMBLY SPRING
10	GUA0000043	OR 109 NBR AL 75 BLACK
11	Z0240002111	CONNECTOR
13	Z0200001011	BEARING
14	Z0240002019R	§ TEA BREWER CAM
15	VIT0007002	SET SCREW 4X6
16	VIT0000014	SCREW HEAD TAP CAP M4X16
17	VIT0003103	SPRING WASHER 4,3
18	Z0090002104R	§ GEARBOX MOTOR 10RPM
19	Z0240002010	CAM
20	VIT0000105	M 3*20 TSP SCREW
21	Z0240002013	TEA MICRO STAINLESS STEEL SUPP
22	4600010014	SPACER
23	ELE0001522	MICROSWITCH
24	ELE0001906	MICROSWITCH LEVER
25	VIT0004701	NUT M3
26	VIT0003105	SPRING WASHER 6,4
27	VIT0005503	M 6x14 TCEI SCREW
29	VIT0002052	SCREW ST HEAD CAP M2.9X6.5
30	Z0240002108	SPACER
35	Z0240001006	L.H. FRAME
36	Z0240001007	R.H. FRAME
37	Z0240001017	FRAMES INOX SPACER
38	Z0240001022	SPRING HOOKING SCREW M 4*12
39	VIT0004810	NUT M4
40	Z0240001026	SPRING
41	Z0240001014	PINION STEERING
42	Z0240001021	STAINLESS STEEL RACK SLIDING S
43	VIT0001004	M 4*6 STAINLESS STEEL TCB SCRE
44	VIT0003202	WASHER 4,3X9X0,8
45	Z0240001016	GEAR PLATE
46	VIT0002015	SCREW ST HEAD CAP M3.5X9.5
47	Z0240001008	TEA CUP CONTROL LEVER
48	Z0240001018	CUP STOP PIN
49	Z0240001025	STAINLESS STEEL LEVER STOP PIN
50	Z0240001032	PIN BEARING
51	VIT0006511	RADIAL STOP RING D.7
52	Z0240001024	NYLON LEVER SHAFT WASHER
53	Z0240001019	CUP CONTROL LEVER SHAFT

fbt tea infusion group		
54	Z0240001015	CYLINDRICAL GEAR
55	VIT0005011	1.5x8 SPRING PIN
56	Z0240001013	CUP MOVEMENT SHAFT
57	VIT0005214	3 x 20 A4 CYLINDRICAL PIN
58	Z0240001029	FILTER SUPPORT
59	VIT0006603	D.42 RADIAL STOP RING FOR HOLE
59/a	Z0240001033	BRACKET
59/b	2500003005	WASTE FLOAT RING
60	GUA0000033	OR 3143
61	Z0240001036	FILTER DIAM.40 P.0,85 SP.0,15
62	Z0240001034	TEA INFUSION CHAMBER
63	GUA0000048	OR 2031
64	Z0240002113	EXTENSION
65	GUA0000004	OR 104 NBR AL 75 BLACK
66	Z0240002107	METAL PLATE
67	Z0240002115	TEA GROUNDS CHUTE
68	CON0000204	BUCKET
100	Z0240001029R	FILTER SUPPORT ASSEMBLY
101	Z0240001034R	TEA CUP + BRACKET
102	Z0240002150CL	TEA GROUP SUPPORT
103	Z0240001001/12	§ TEA BREWER

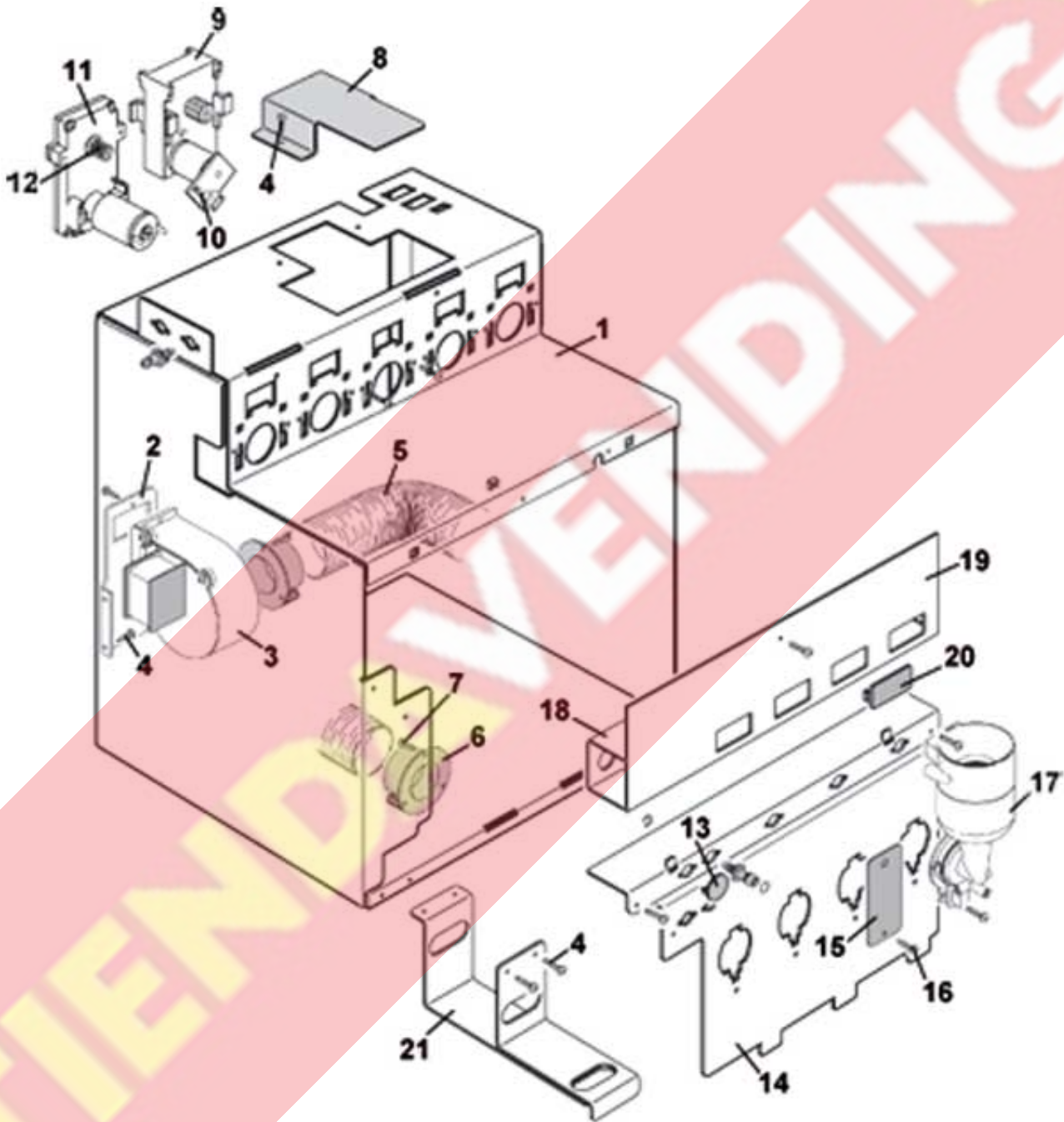


fp refrigerating group		
Pos.	Code	Description
1	550000001	REFRIGERATING SUPPORT
2	Z0550050005	COLD UNIT WITH HEATING ELEMENT
3	Z0550006015	ISOLATION SHELL
4	Z0550006006	WATER TANK PLATE
5	Z0550006005	CONNECTOR
6	3003001036	THERMOSTAT SUPPORT
7	VIT00000030	SCREW HEAD TAP CAP M4X7
8	VIT0003103	SPRING WASHER 4,3
9	VIT0004503	NUT M4
10	ELE0000918	TERM.A.DIST.TU.F.DT 0-36°C T80
11	ELE0000957R	FP TEMPERATURE PROBE
12	Z0010018316	R.H. SUPPORT
13	Z0010018317	L.H. SUPPORT
14	Z0550004055	REFRIGERATOR PLATE
15	Z0550004018	POLYSTYRENE
16	Z0550004021	REFRIGERATING GROUP PROTECTIO
17	Z0550004044	FP THERMOSTAT PROTECTION
18	Z0810010047CL	§ COFFEE OUTLET PIPE
19	Z0810010062CL	§ COFFEE OUTLET PIPE
100	Z0550003006CL	REFRIG. GROUP FP W/THERMOSTAT
101	Z0550003008CL	REFRIGERATING GROUP WITH PROBE

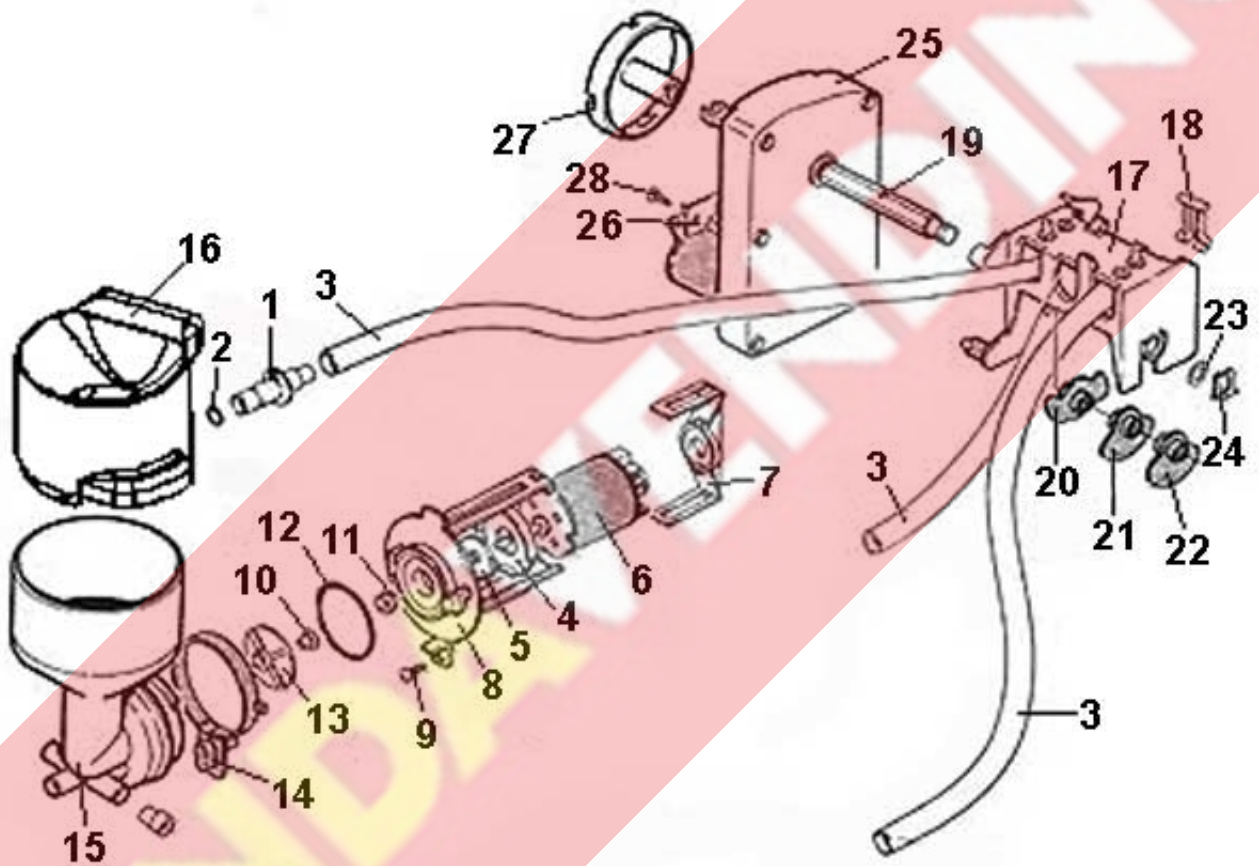




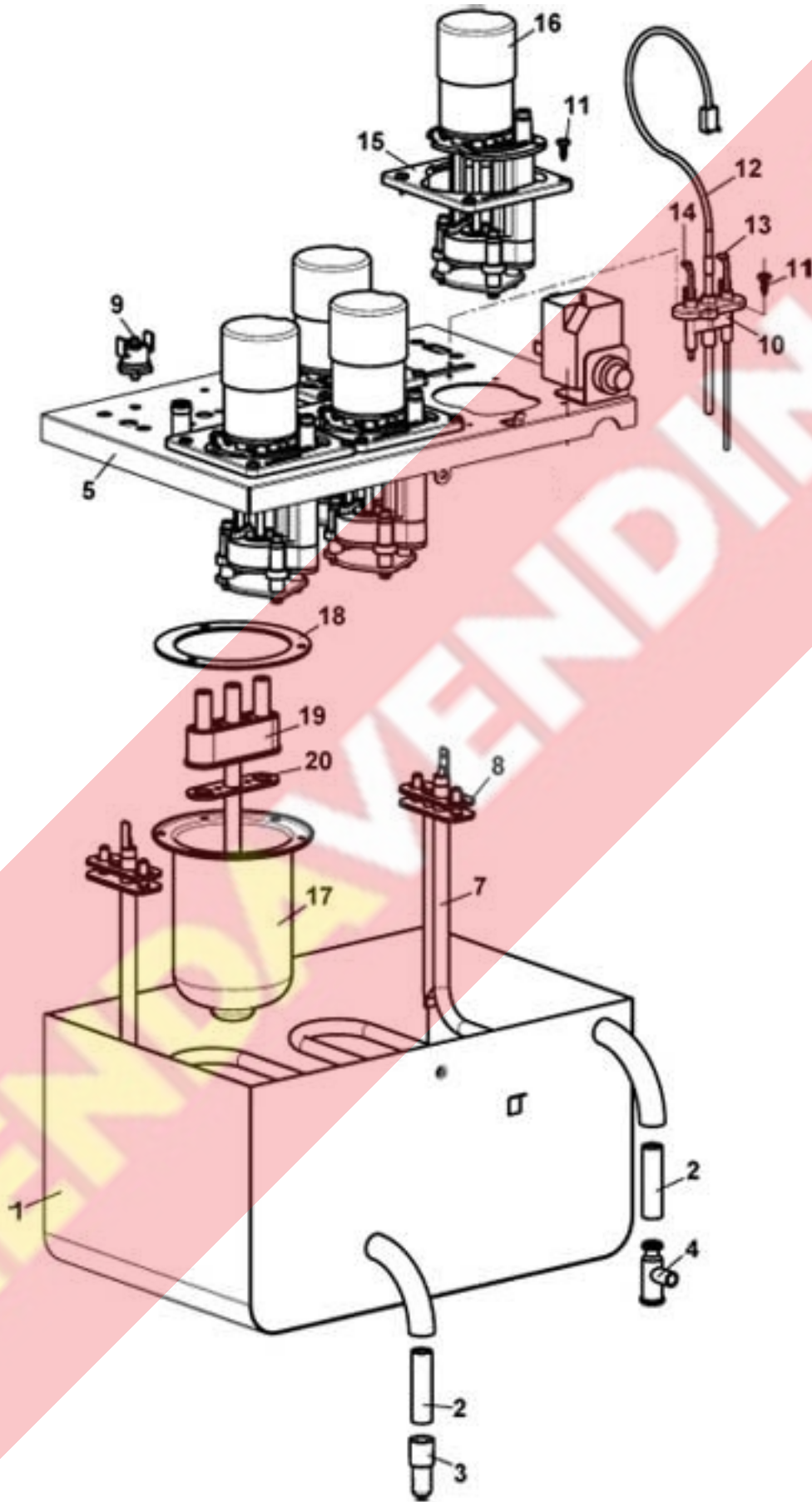
FB DISPENSER		
Pos.	Code	Description
1	Z0070014785	FB WELDED HOUSING
2	Z0070014763	HOUSING COVER
3	VIT0000030	SCREW HEAD TAP CAP M4X7
4	Z0090002081	MOTOR 24 DC 85 RPM
5	Z0230012010	PINION
6	VIT0000015	SCREW HEAD TAP CAP M4X25
7	Z0070014771	FB GROUNDS BAG SUPPORT



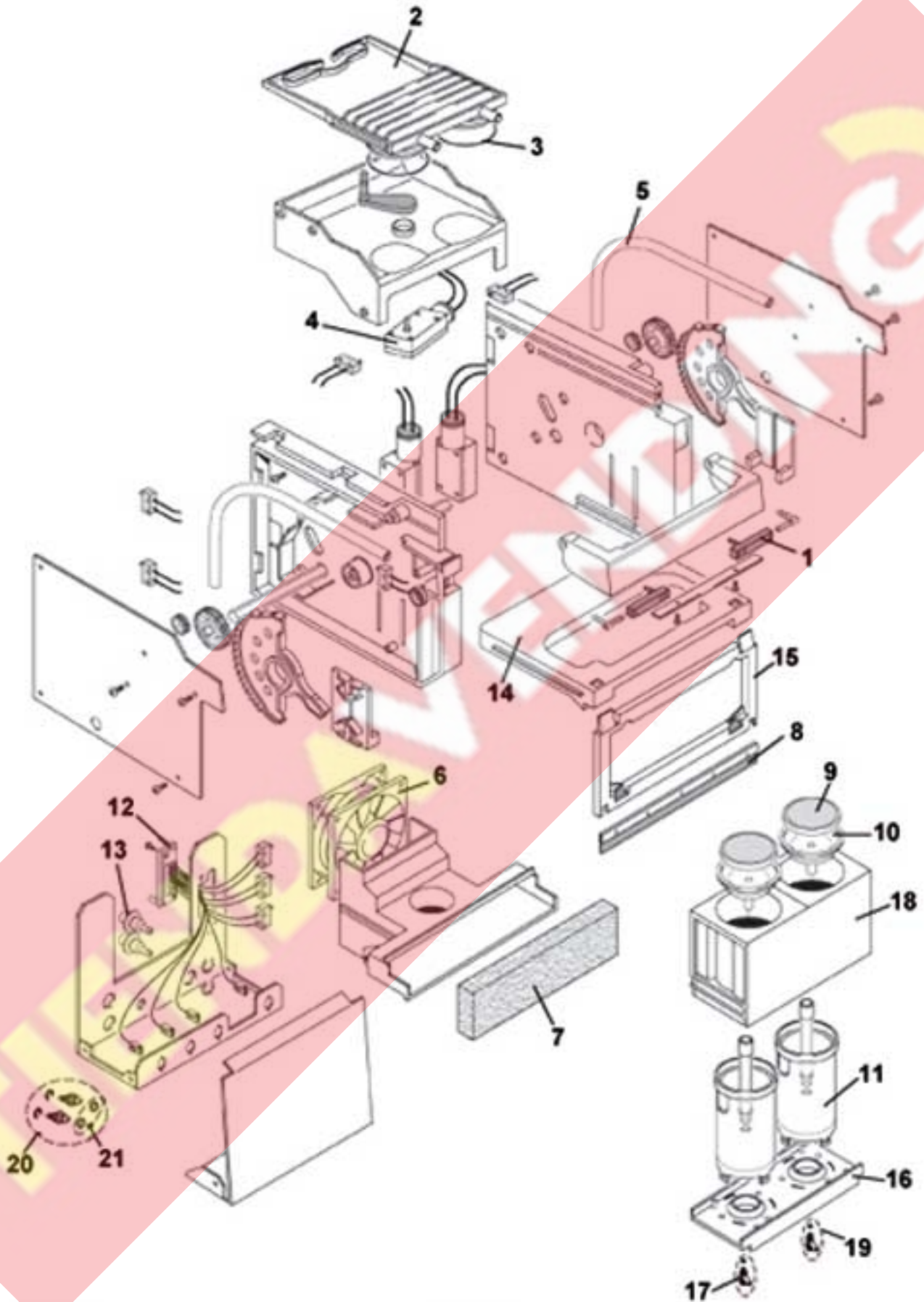
FB solubles dispenser		
Pos.	Code	Description
1	Z0070014705	WELDED HOUSING
2	Z0070014727	FAN SUPPORT
3	ELE0000454	TRAP 24/50 D.70
4	VIT0000030	SCREW HEAD TAP CAP M4X7
5	TEOL000003	EXTRACTOR TUBE D.50
6	3005101039	TRAP COVER
7	VIT0002002	SCREW ST HEAD CAP M3.5X6.5
8	Z0070014766	CAM SUPPORT
9	Z0090002113	MOTOR 24 DC 97 RPM
10	SCH0003760	MOTOR FILTER
11	Z0090002082	MOTOR 24 DC 55 RPM
12	Z0230012010	PINION
13	Z0080100035NA	CONNECTOR PLUG BLACK
14	Z0070014706	MIXER SUPPORT
15	Z0010020028NA	MIXER PLUG BLACK
16	VIT0002401	SCREW ST HEAD CAP M3.5X9.5
17		See table FB cams mixer and dispenser
18	Z0070014722	EXHAUST SLEEVE
19	Z0070014731	TRAP COVER
20	Z0070014776	TRAP PLUG
21	Z0070014715	OUTLET PIPE GUIDE



<b>FB cams mixer and dispenser</b>		
<b>Pos.</b>	<b>Code</b>	<b>Description</b>
1	Z0080100043	MIXER CONNECTOR BLACK
2	GUA0000085	OR 106 RED SILICONE A70
3	TSIL06/09T-10	SILICON HOSE 6X9 MT.10 For 50m roll select code TSIL06/09T-50
4	Z0080100023IC	MIXER COVER RAL2011
5	Z0080100024	MIXER FAN
6	Z0090003023	MIXER MOTOR 24V DC SHAFT D.4
7	Z0080100009IC	MIXER MOTOR SUPPORT RAL2011
8	Z0080100005	MOTOR MIXER BASE
9	VIT0002401	SCREW ST HEAD CAP M3.5X9.5
10	Z0080100102	MIXER SHAFT GASKET
11	Z0080100015	MIXER BUSH
12	GUA0000084	OR 3131 RED SILICONE A60
13	Z0080100011	MIXER FAN
14	Z0080100006IC	LOCK RING RAL2011
15/a	Z0080200110L	MIXING BOWL L.W/H20 BREAKER
15/b	Z0080200111R	MIXING BOWL R.W/H20 BREAKER
15/c	Z0080200112C	MIXING BOWL F.W/H20 BREAKER
16	Z0080100031NA	MIXING BOWL EXTRACTOR D.4,25
17	Z0110030005	CAM SUPPORT
18	Z0110030013	LEVER
19	Z0110030006	CAM SHAFT
20	Z0110030008	CAM 2
21	Z0110030009	CAM 3
22	Z0110030007	CAM 1
23	VIT0003010	SPACER WASHER 8X14X0,5
24	VIT0009162	CLIP
25	Z0090002109	GEAR MOTOR 24 RPM 24V DC
26	SCH0003700	TUBES SENSOR
27	Z0110030015	DISK
28	VIT0002452	SCREW HEAD TAP M3.5X12
100	Z0110030001R	§ CAM DISPENSER (from pos. 18 to pos. 28)
101	Z0080100001R	§ MIXER BOWL BASE+MOTOR From pos.4 to pos. 13

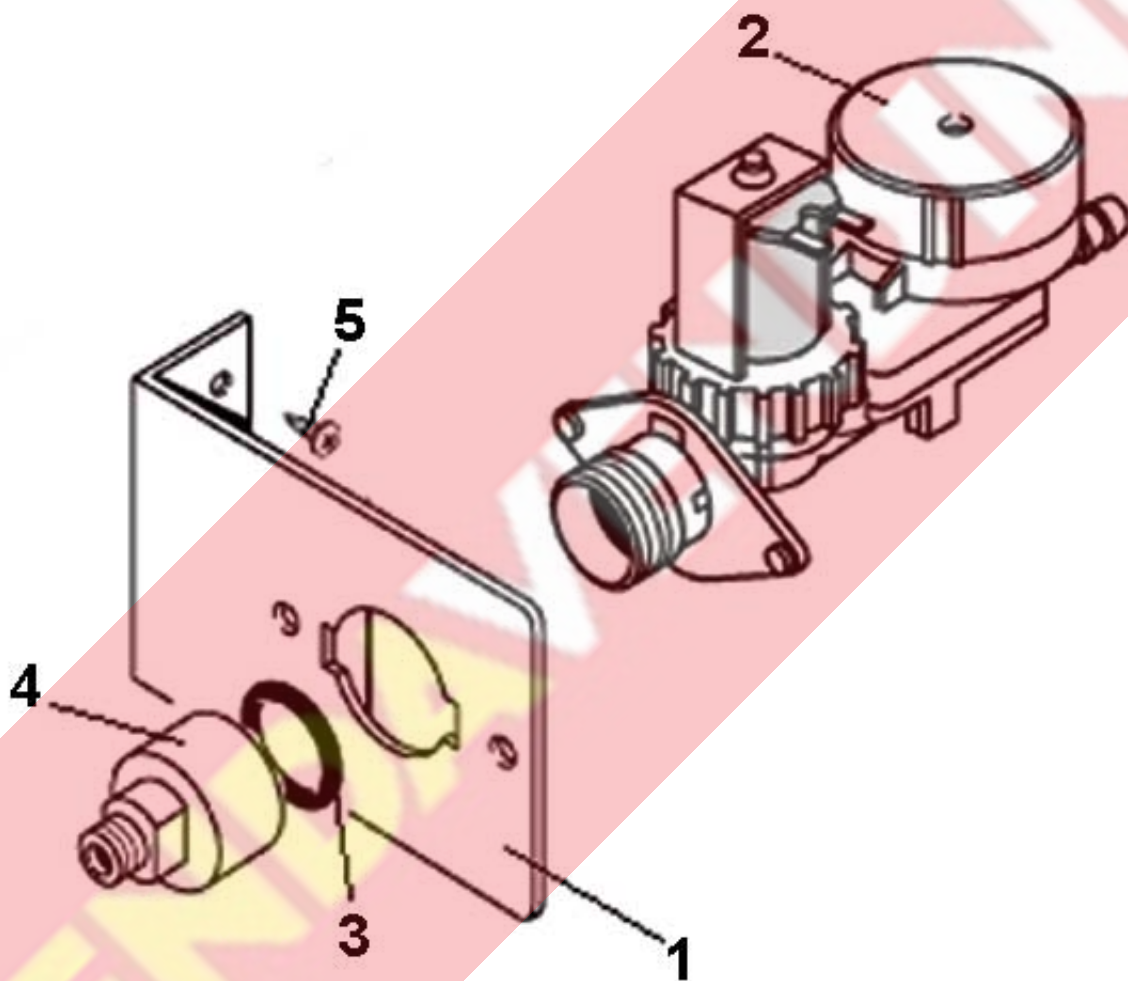


FB boiler		
Pos.	Code	Description
1	Z0600012455	BOILER TANK
2	TSIL10/14T	SILICON HOSE 10X14
3	650001057	DRAINER PLUG
4	Z0600016028	T CONNECTOR
5	Z0600012465	BOILER COVER
7	Z0600012463	3000 W HEATING ELEMENT
8	Z0600012461	FB BOILER HEATING ELEMENT GASK
9	ELE0000977	CLIXON 95 °C
10	Z0600016089	PROBE SUPPORT
11	VIT0002015	SCREW ST HEAD CAP M3.5X9.5
12	ELE0000963R	§ TEMPERATURE PROBE+SENSOR
13	Z0600016053	MINIMUM LEVEL PROBE
14	Z0600016054	MAXIMUM LEVEL PROBE
15	Z0600012462	PUMP ADAPTER
16	Z0600016405R	§ BOILER PUMP
17	Z0250009008	FB BATCHER
18	Z0250009009	FB BATCHER SILICONE GASKET
19	Z0250009010	FB BATCHER INLET
20	Z0600012477	FB BATCHER INLET FIXING PLATE

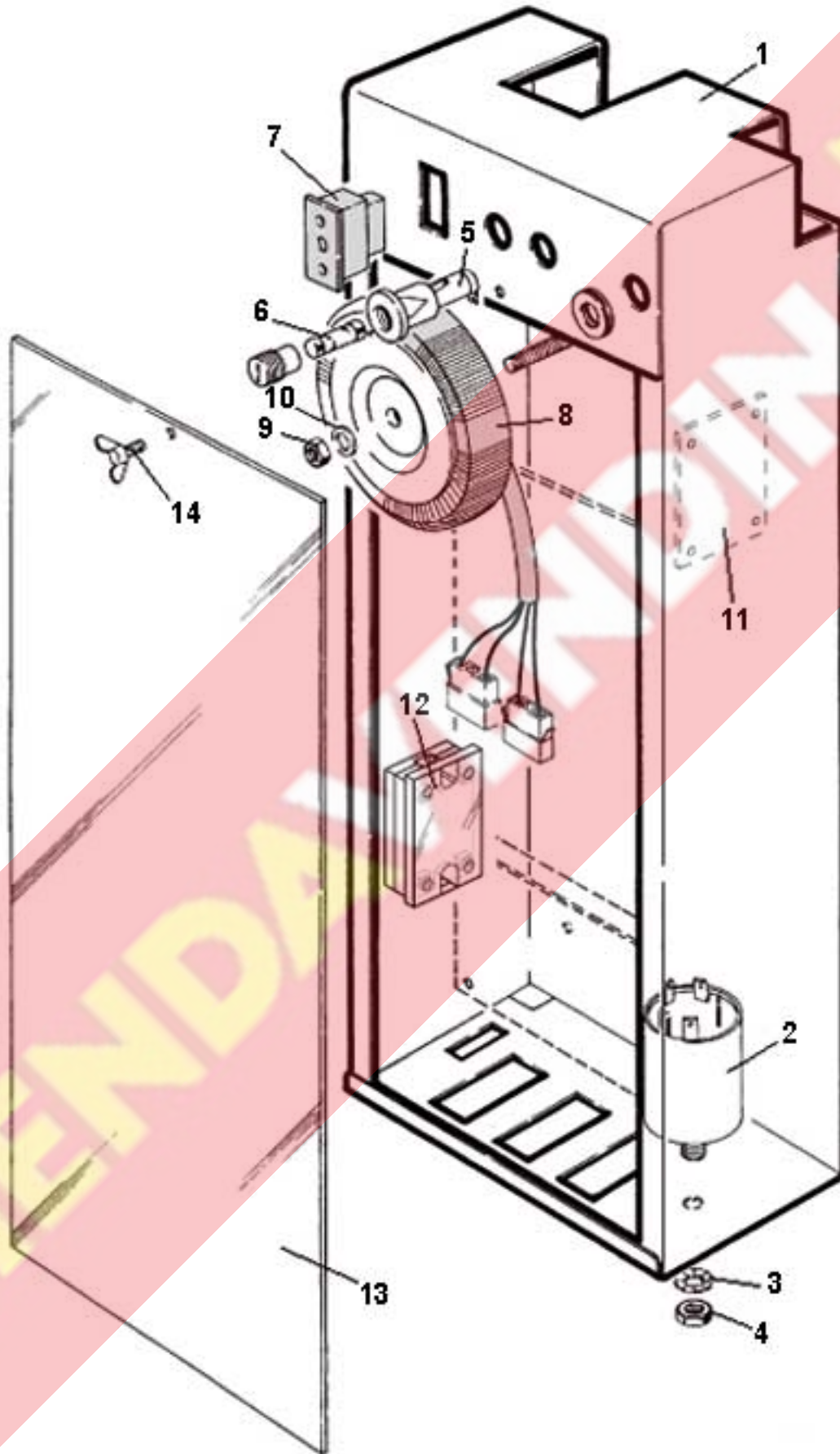




FB GROUP		
Pos.	Code	Description
1	Z0250009020	SILICONE SLLEVE
2	Z0250009021	SPRAY NOZZLE
3	Z0250009022	OR 51x4,5 SILICON
4	Z0250009018	GEAR MOTOR
5	Z0250009023	WATER HOSE 4/2, 25MM, LEFT 380MM
6	Z0250009024	FAN
7	Z0250009025	FILTER ELEMENT
8	Z0250009026	WIPER
9/a	Z0250009011	COFFEE FILTER
9/b	Z0250009028	TE FILTER
10	Z0250009012	SPIGOT BREWER
11	Z0250009029	ESPANSION TANK
12	CBL0900475	BREWER CABLE 1
13	Z0250009027	CONNECTION
14	Z0250009032	MOBILE WIPER
15	Z0250009031	FRONTAL WIPER
16	Z0250009030	ESPANSION TANK SUPPORT
17	Z0250009015	LEFT CONNECTOR WITH OR
18	Z0250009033	ESPANSION TANK STOP
19	Z0250009016	RIGHT CONNECTOR WITH OR
20	Z0250009013	FB GASKETS
21	Z0250009014	OR X FB

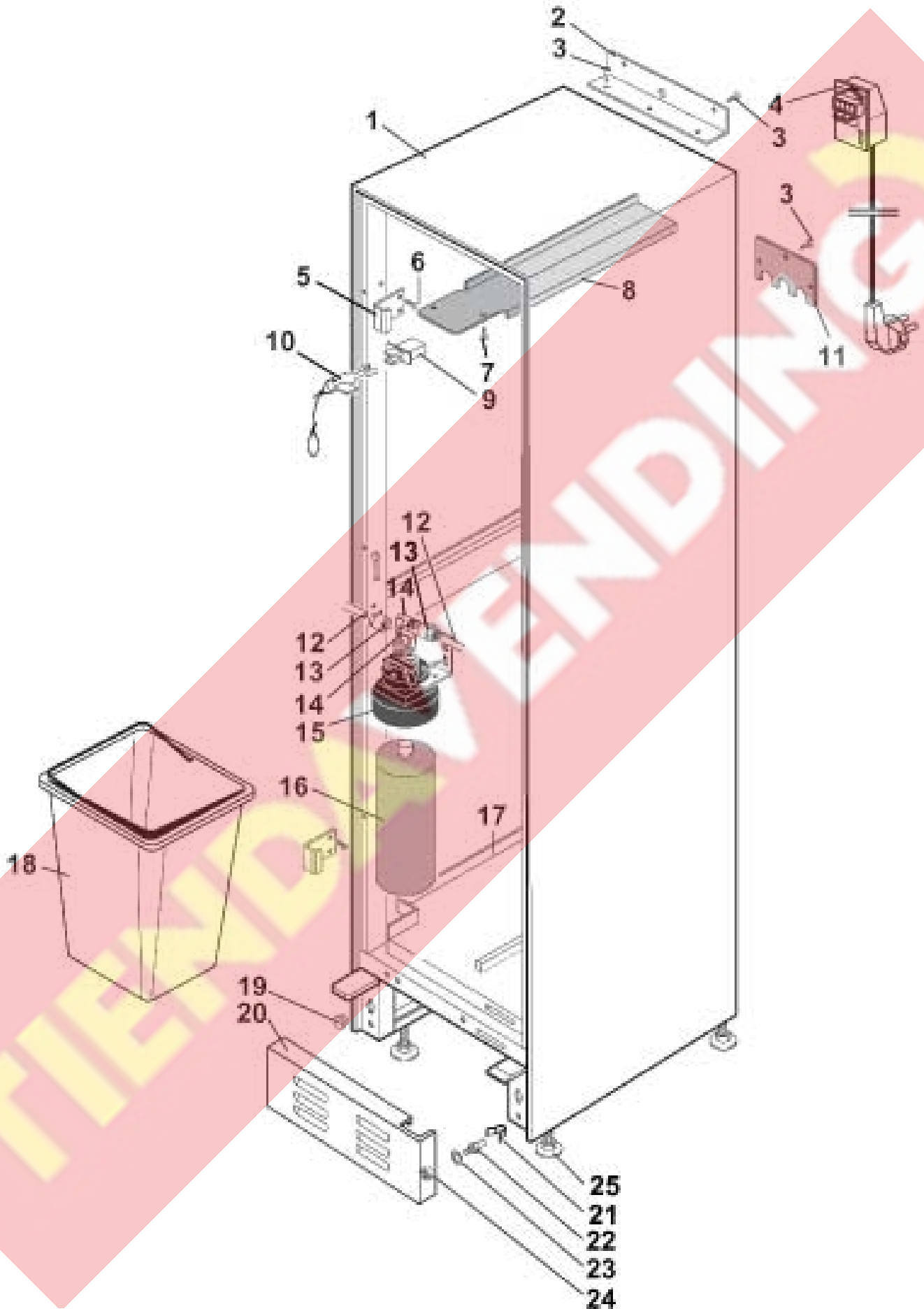


FB water inlet		
Pos.	Code	Description
1	Z0070012111CK	INLET H2O VALVE SUP. RAL7037
2/a	Z0110001119	WATER INLET VALVE 24V DC Only for version "E"
2/b	Z0110001119	WATER INLET VALVE 24V DC Only for version "H"
3	GUA0000021	OR 130 NBR AL 75 BLACK
4	Z0010019223	H2O INLET CONNECTOR 3/4F-3/8M
5	VIT0000013	SCREW HEAD TAP CAP M4X12



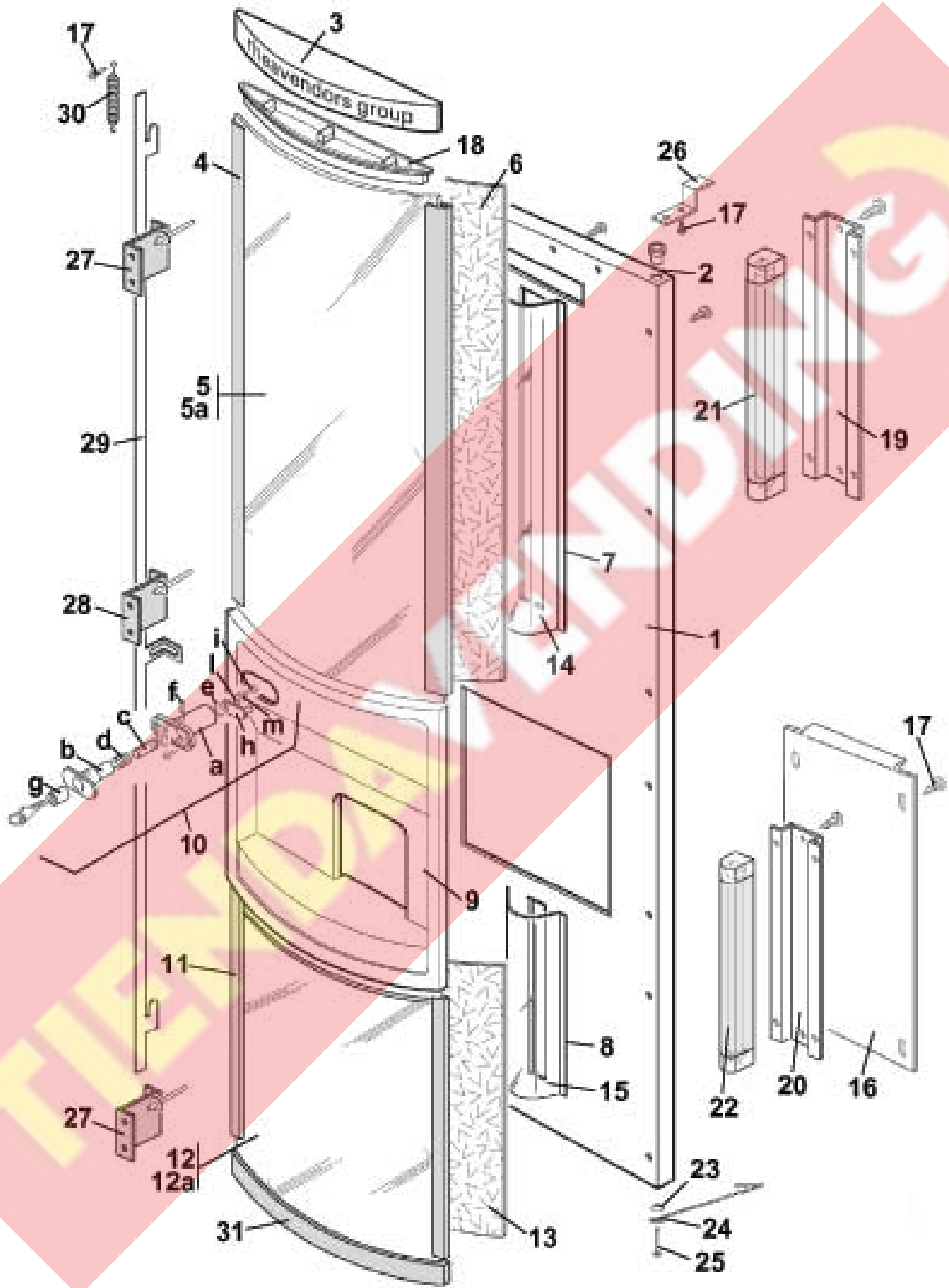
FB control panel		
Pos.	Code	Description
1	Z0130011555	CONTROL PANEL STRUCTURE
2	ELE0009055	NOISE FILTER 16A
3	VIT0003106	WASHER D.8,2
4	VIT0004506	NUT M8
5	ELE0003507	FUSE HOLDER 250V 16A
6	ELE0003024	CERAMIC FUSE 6,3X32 12A
7	ELE0002305	MOLVENO PLUG
8	ELE0000565R	TRANSFORMER
9	VIT0004505	NUT M6
10	VIT0003005	WASHER 6,4X12X1,6
11	SCH0006180	FB POWER BOARD
12	ELE0001015	RELAY
13	Z0130011561	CONTROL PANEL COVER
14	VIT0007008	SCREW WINGS 4X10

Luce Spaqa cabinet



Luce Spaqa cabinet		
Pos.	Code	Description
1	Z0010015455	CABINET
2	Z0010018071	MACHINE FIXING PLATE
3	VIT0000236	SCREW HEX HEAD M6X11
4	ELE0055003CL	SUPPLY CABLE
5	NL202100278	LOWER LOCK PIN SECURING SQUARE
6	VIT0000013	SCREW HEAD TAP CAP M4X12
7	VIT0002401	SCREW ST HEAD CAP M3.5X9.5
8	Z0010018116	SAFETY SWITCH SUPPORT
9	ELE0002009	BIPOLAR SWITCH 15A 250V
10	Z0270011109CL	§ SERVICE KEY
11	Z0010023336	CHOCK FIXING PLATE
12	TPE0000003	LLDPE PIPE D. 6X8 TRANSPARENT
13	Z0100005029	STRAIGHT TERMINAL D.8 3/8 CIL.
14	Z0100005064	ELBOW MIDDLING D.8
15	Z0110020009	EVERPURE FILTER SUPPORT
16	Z0110020010	CARTRIDGE
17	Z0010015504NA	BOTTOM PROTECTION
18	CON0000201	BIN
19	Z0020018061	SELECTION BUTTON PLUG
20	Z0120004376	LUCE H2O FRONT PROTECTION
21	VIT0009152	WASHER
22	VIT0009151	PIN M4
23	VIT0003103	SPRING WASHER 4,3
24	VIT0004503	NUT M4
25	Z0010013208	MACHINE FOOT

LUCE SPAQA FRONT DOOR

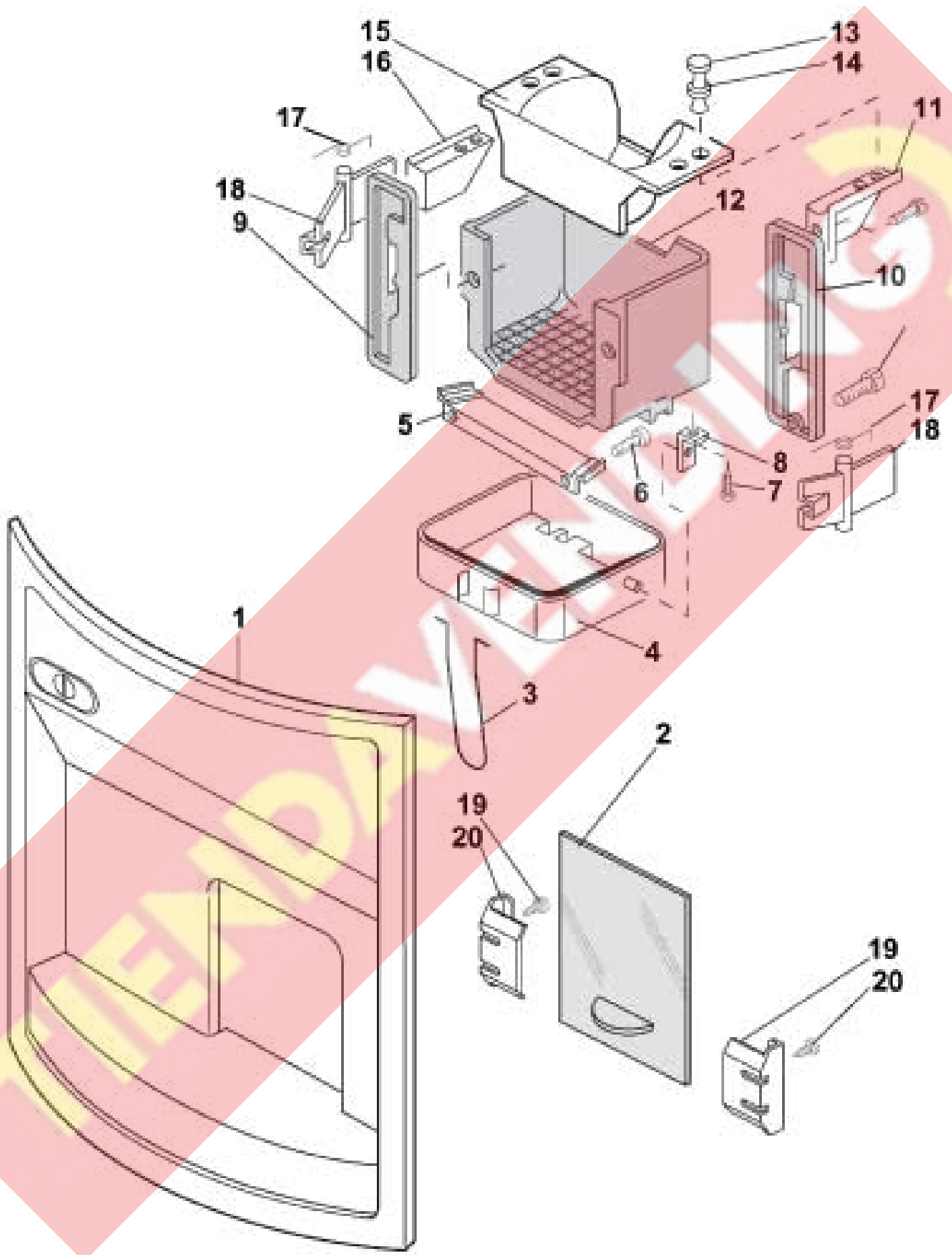




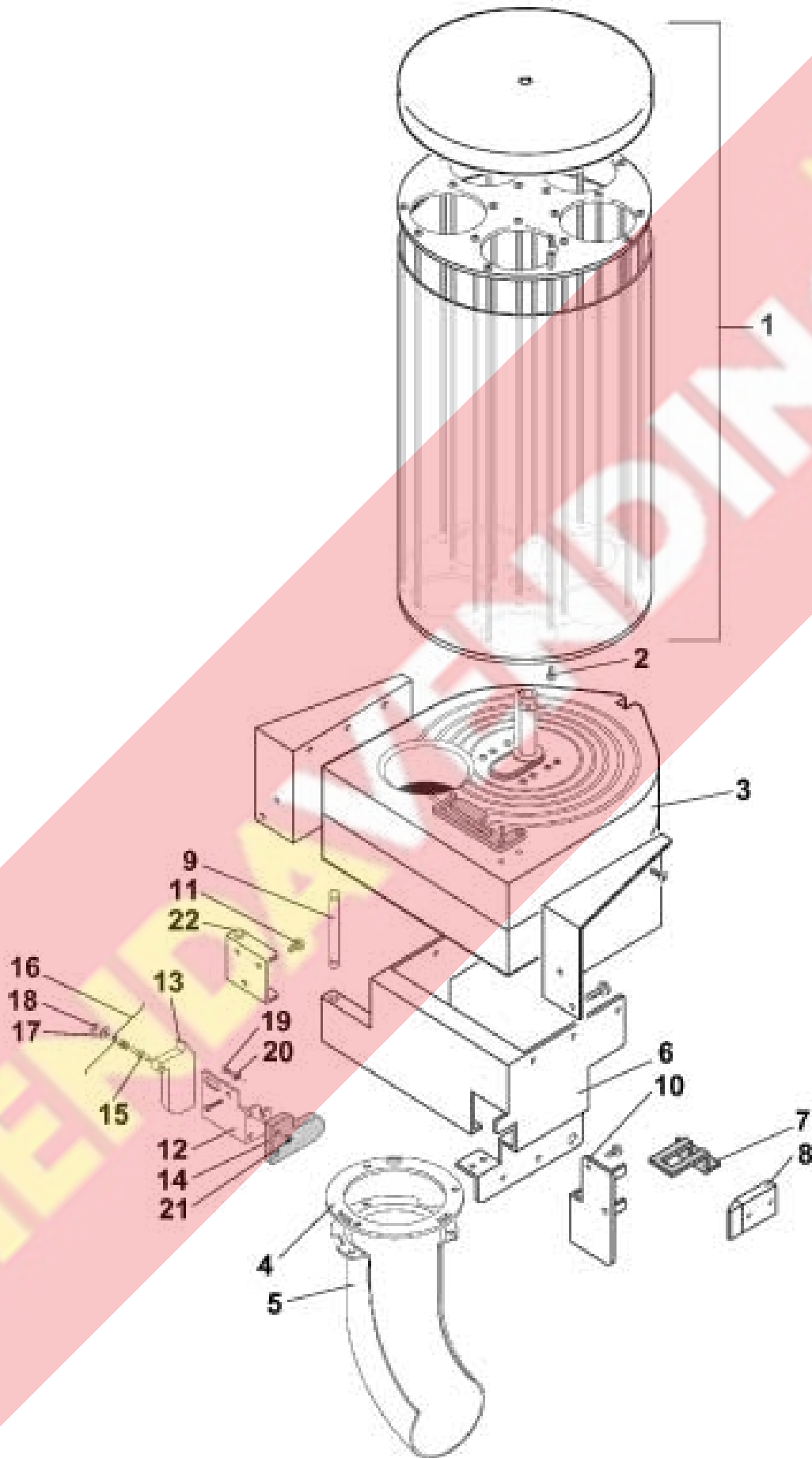
LUCE SPAQA FRONT DOOR		
Pos.	Code	Description
1	Z0020030155	LUCE H2O FRONT DOOR
2	Z0020034156	DOOR HINGE BUSH
3	Z0020034322CF	UPPER BAND W/LOGO RAL7016
3	Z0020034322CG	UPPER BAND W/LOGO RAL7035
3	Z0020034322CM	UPPER BAND W/LOGO RAL9006
3	Z0020034322CT	UPPER BAND W/LOGO RAL9006
3	Z0020034322NA	UPPER BAND W/LOGO BLACK
4	Z0020029914CG	MOUNTING PLATE MM734,5 RAL7035
4	Z0020029914NA	SECURING GLASS PROFILE
4	Z0020029914CF	MOUNTING PLATE MM734,5 RAL7016
4	Z0020029914CM	MOUNTING PLATE MM734,5 RAL9006
5	Z0020029937	GRAPHIC PANEL UPPER PROTECTION
5/a	1010065428	UPPER GRAPHIC PANEL SPAQUA BB
6	Z0020029931	UPPER PLEXIGLASS
7	Z0020034309	LAMP GUARD FIXATION
8	Z0020034308	UPPER LAMP PROTECTION
9		See table LUCE SPAQA CUPS STATION
10	1150003200CL	§ LOCK
10/a	1150003126CG	LOCK SLEEVE
10/a	1150003126NA	SLEEVE BLACK
10/a	1150003126CF	LOCK SLEEVE
10/a	1150003126CM	SLEEVE 9006
10/a	1150003126CF	LOCK SLEEVE
10/a	1150003126CN	LOCK SLEEVE
10/a	1150003126DA	SLEEVE (RAL9022)
10/b	1150002112CG	SLEEVE RAL7035
10/b	1150002112NA	SLEEVE BLACK
10/b	1150002112CF	SLEEVE RAL7016
10/b	1150002112CH	SLEEVE RAL7038
10/b	1150002112CM	SLEEVE RAL9006
10/b	1150002112AE	SLEEVE RAL9010
10/b	1150002112CK	SLEEVE RAL7037
10/b	1150002112CN	SLEEVE RAL7032
10/b	1150002112KE	SLEEVE RAL3000
10/b	1150002112DA	SLEEVE RAL9022
10/c	1150002111	PIN
10/d	1150002113	SPRING
10/e	VIT0006508	RING 10
10/f	VIT0005203	DOWEL PIN 4X18
10/g	SER0000003	LOCK c.7851
10/h	Z0020029439	LOCK PLATE
10/i	VIT0000208	SCREW HEX HEAD M5X10
10/l	VIT0003302	WASHER 5,5X15X1,6
10/m	VIT0003104	SPRING WASHER 5,3
11	Z0020029915CG	MOUNTING PLATE MM386,5 RAL7035
11	Z0020029915NA	SECURING GLASS PROFILE
11	Z0020029915CM	MOUNTING PLATE MM386,5 RAL9006

LUCE SPAQA FRONT DOOR		
12	Z0020029938R	LOWER PICTURE PANEL + ADESIVE
12/a	1010065429	LOWER GRAPHIC PANEL SPAQUA
13	Z0020029933	LOWER PLEXIGLASS
14	Z0020029438	LOWER LAMP COVER
15	Z0020029419	LOWER LAMP COVER
16	Z0020031538NA	LOWER LAMP COVER 9005
17	VIT0002401	SCREW ST HEAD CAP M3.5X9.5
18	Z0020034282	PLEXIGLASS REINFORCEMENT
19	Z0020029960	UPPER LAMP SUPPORT
20	Z0020029961	LOWER LAMP SUPPORT
21	ELE0009023	LAMP 13 W
22	ELE0009022	LAMP 8 W
23	VIT0007102	BENZING CLIP
24	Z0020034172	DOOR STOP
25	Z0020034173	DOOR STOP IN
26	Z0270011452	BRACKET
27	Z0020029435	LOCK BRACKET GUIDE
28	Z0020030164	CENTRAL LOCK PIN GUIDE
29	Z0020030165	LOCK PIN
30	2100002007	CUP LOADER SPRING
31	Z0020034281CF	LOWER BAND RAL7016
31	Z0020034281CG	LOWER BAND RAL7035
31	Z0020034281CH	LOWER BAND RAL7038
31	Z0020034281CM	LOWER BAND RAL9006
31	Z0020034281NA	LOWER BAND BLACK

LUCE SPAQA CUPS STATION

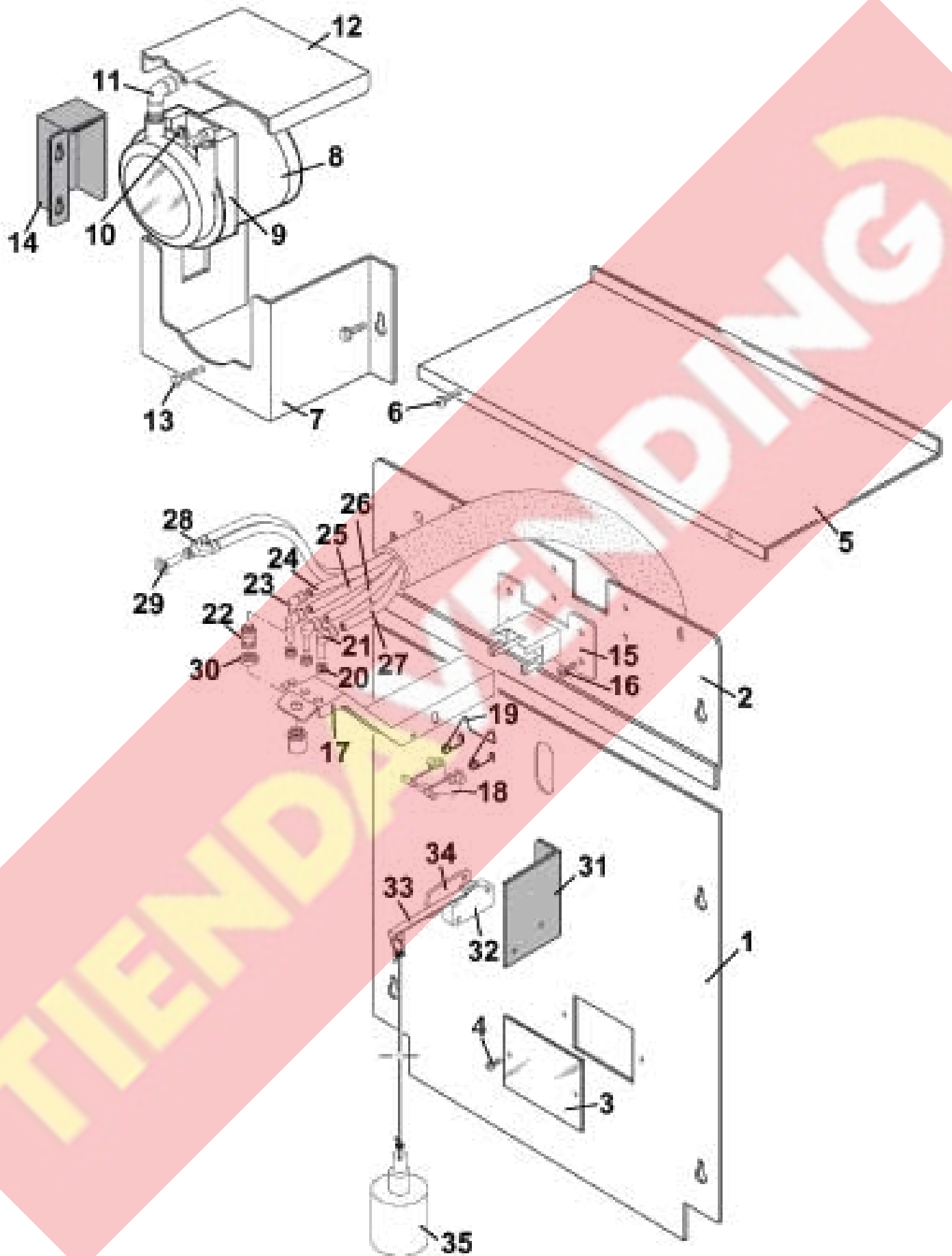


<b>LUCE SPAQA CUPS STATION</b>		
<b>Pos.</b>	<b>Code</b>	<b>Description</b>
1	Z0400008433CG	CUPS STATION FRAME RAL7035
1	Z0400008433CH	CUPS STATION FRAME RAL7038
1	Z0400008433CM	CUPS STATION FRAME RAL9006
1	Z0400008433NA	CUPS STATION FRAME BLACK
2	Z0400008009/2	CUP STATION FLAP
3	Z0150001053	DRIP TRAY SPRING
4	Z0150001052NA	FUNNEL BLACK
5	Z0150001056	DRIP TRAY
6	VIT0002469	SCREW HEAD TAP M3.5X10
7	VIT0002001	SCREW ST HEAD CAP M2.9X6.5
8	Z0400008101CA	CHUTE SUPPORT
8	Z0400008101NA	CHUTE SUPPORT BLACK
9	Z0400007027CA	R.H. CUP STAT. PLATE
9	Z0400007027IC	R.H. CUP STAT. PLATE RAL2011
9	Z0400007027NA	R.H. CUP STAT. PLATE BLACK
9	Z0400007027PG	R.H. CUP STAT. PLATE RAL5012
10	Z0400007014NA	L.H. CUP STAT. PLATE BLACK
10	Z0400007014PG	L.H. CUP STAT. PLATE RAL5012
11	Z0400006026CA	§ LEFT BRACKET
11	Z0400006026NA	LEFT BRACKET BLACK
12	Z0400007003CA	CUPS STATION FRAME
12	Z0400007003NA	CUPS STATION FRAME BLACK
12	Z0400007003PG	CUPS STATION FRAME RAL 5012
13	VIT0007104R	§ BUSH+BUTTON
14	VIT0007104R	§ BUSH+BUTTON
15/a	Z0400006033NA	CUP SUPPORT BLACK For cups dispenser D.70
15/b	Z0400008775	CUP SUPPORT
16	Z0400006011CA	§ RIGHT BRACKET
16	Z0400006011NA	RIGHT BRACKET BLACK
17	Z0400007021	SPRING
18	Z0400007017NA	BLOCK PLATE BLACK
19	Z0020034168NA	CUP STATION DOOR GUIDE BLACK



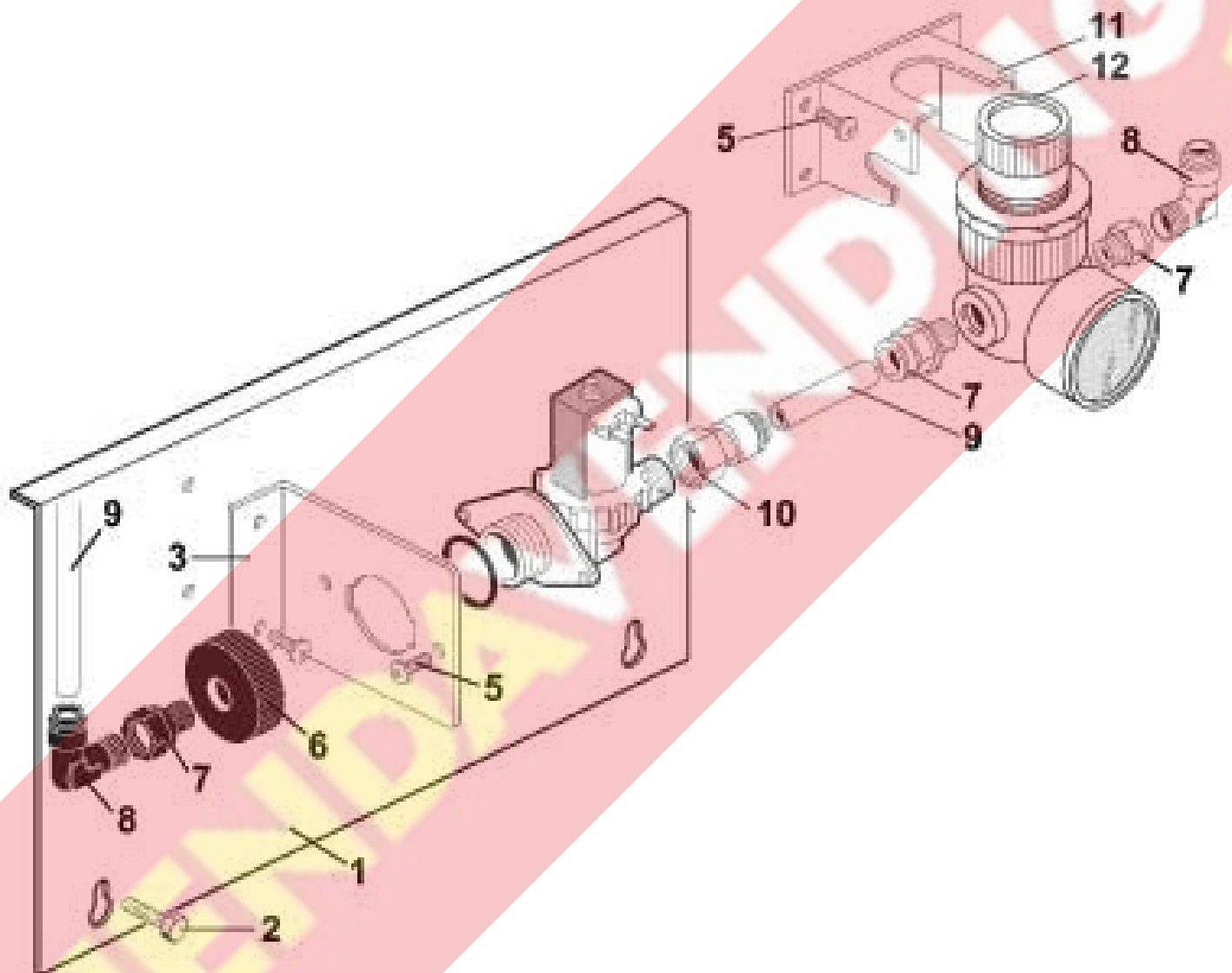
LUCE SPAQA CUPS LOADER		
Pos.	Code	Description
1/a	Z0180012543	CUPS TURRET D.70/73
1/b	Z0180012544	CUPS TURRET D.78/80
2	VIT0002009	SCREW ST HEAD CAP M3.5X6.5
3/a	Z0190013106	CUPS DISPENSER D.70
3/b	Z0190013107	§ CUP DISPENSER D/80
3/c	Z0190013108	§ CUP DISPENSER D/78
4	Z0180012535	CUPS CHUTE FLANGE COMPONENT NO MORE SOLD
5/a	Z0180012526	CUP CHUTE
5/b	Z0180012529	CUP CHUTE
6	Z0020030182	CLOSED STATION CUPS SUPPORT
7	Z0020030174	STOPPED ADJUSTABLE SQUARE
8	Z0020030178	SLIDING BLOCK
9	Z0020030175	HINGE PIN
10	Z0020030177	SLIDING BLOCK LINE
11	VIT0000236	SCREW HEX HEAD M6X11
12	Z0020030171	CUPS LOADER COUPLER SUPPORT
13	Z0020018227	CUP LOADER HOOK
	Z0020018227NA	CUP LOADER HOOK BLACK
14	Z0020018241	SUPPORT PLATE
15	Z0020018234	PIN
16	Z0020018237	SPRING
17	VIT0003004	WASHER 5,3X10X1
18	VIT0006502	RING 3.2
19	VIT0000003	SCREW HEAD TAP CAP M3X8
20	VIT0003102	SPRING WASHER 3,2
21	VIT0004502	NUT M3
22	Z0020030179	RIGHT CUPS LOAD SUPPORT HINGE

LUCE SPAQA PIPES MOVEMENT



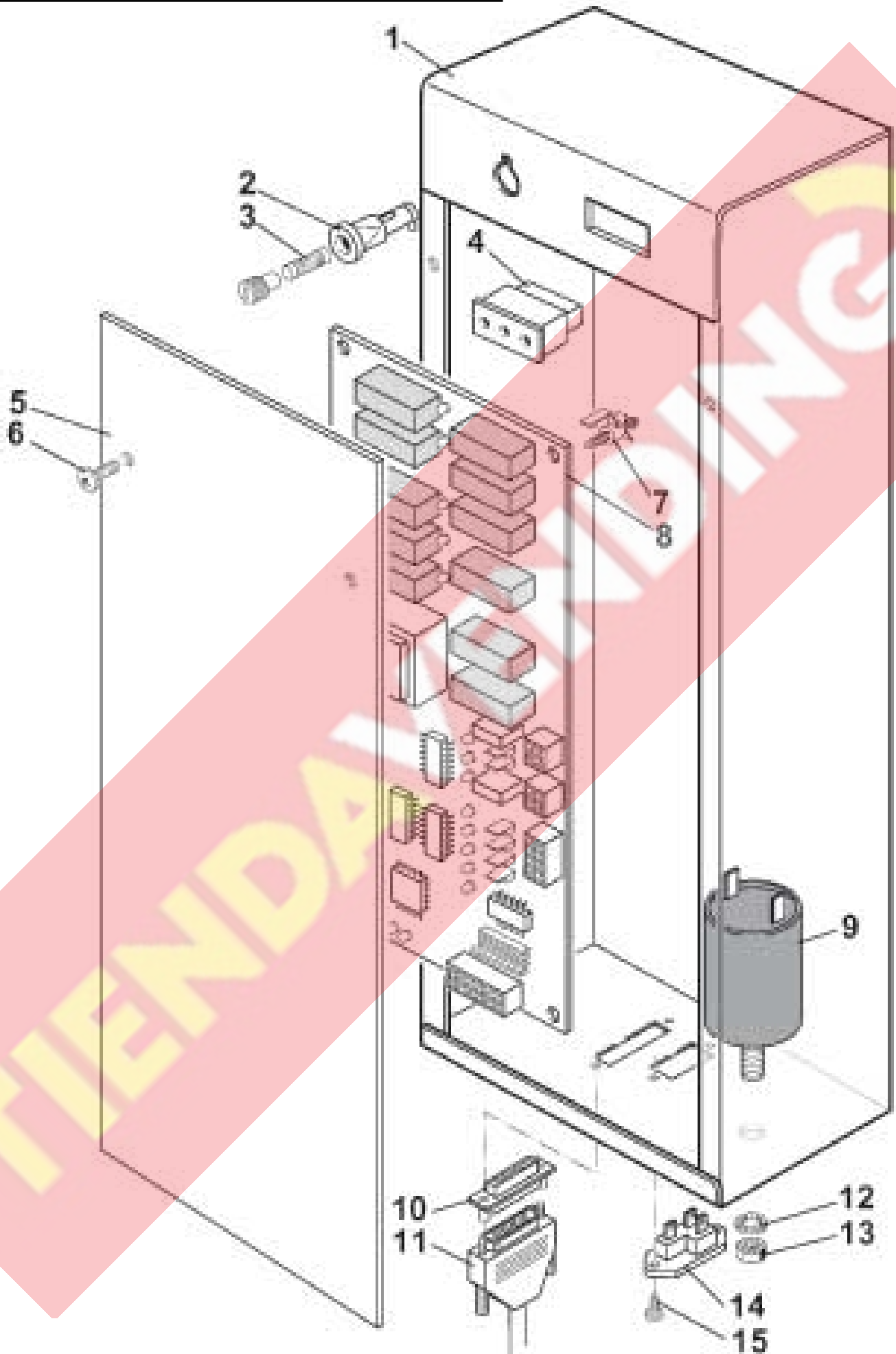
<b>LUCE SPAQA PIPES MOVEMENT</b>		
<b>Pos.</b>	<b>Code</b>	<b>Description</b>
1	Z0010015461-02	FRONT PROTECTION
2	Z0010015511	CO2 PIPE ANTEARING PASSAGE
3	Z0550004044	FP THERMOSTAT PROTECTION
4	VIT0002003	SCREW ST HEAD CAP M3.5X9.5
5	Z0010015465	UPPER PLATE
6	VIT0000236	SCREW HEX HEAD M6X11
7	Z0010015492	PUMP SUPPORT
8	Z0110004034	PERISTALTIC PUMP MOD.03.540 Please communicate the machine serial number for which you need this code
9	Z0550060015	PUMP SPACER
10	VIT0002401	SCREW ST HEAD CAP M3.5X9.5
11	Z0100005064	ELBOW MIDDLE D.8
12	Z0010015493	PUMPS SUPPORT COVER
13	VIT0000030	SCREW HEAD TAP CAP M4X7
14	Z0010015506	PUMP CABLE PROTECTION CARTER
15	Z0380011457	H2P PRODUCT PIPE SUPPORT
16	VIT0002010	SCREW ST HEAD CAP M3.5X9.5
17	Z0380011453	NOZZLE HOLDER
18	Z0380010599	NOZZLE MOVEMENT BUTTON
19	Z0380010629	SPRING
20	GUA0010003	ELETRICAL GROMMET
21	Z0100005067	ELBOW D.8
22	Z0100005030	STRAIGHT TERMINAL D.6 1/8 CIL.
23	Z0100005068	ELBOW D.6
24	TPE0000004	LLDPE TRANSPARENT PIPE D.4x6
25	TPE0000001	LLDPE BLUE PIPE D.6x8
26	TPE0000002	LLDPE BLACK PIPE D.6x8
27	TPE0000003	LLDPE PIPE D. 6X8 TRANSPARENT
28	Z0100005069	Y MIDDLE D.8
29	Z0100005047	PLUG D.8
30	Z0010015487	H2O CONNECTOR
31	Z0010015517	AFLOAT MICRO SUPPORT
32	ELE0001528	MICROSWITCH
33	NL201106265	MICRO LEVER
34	4600010014	SPACER
35	Z0070020038CL	§ WASTE FLOAT





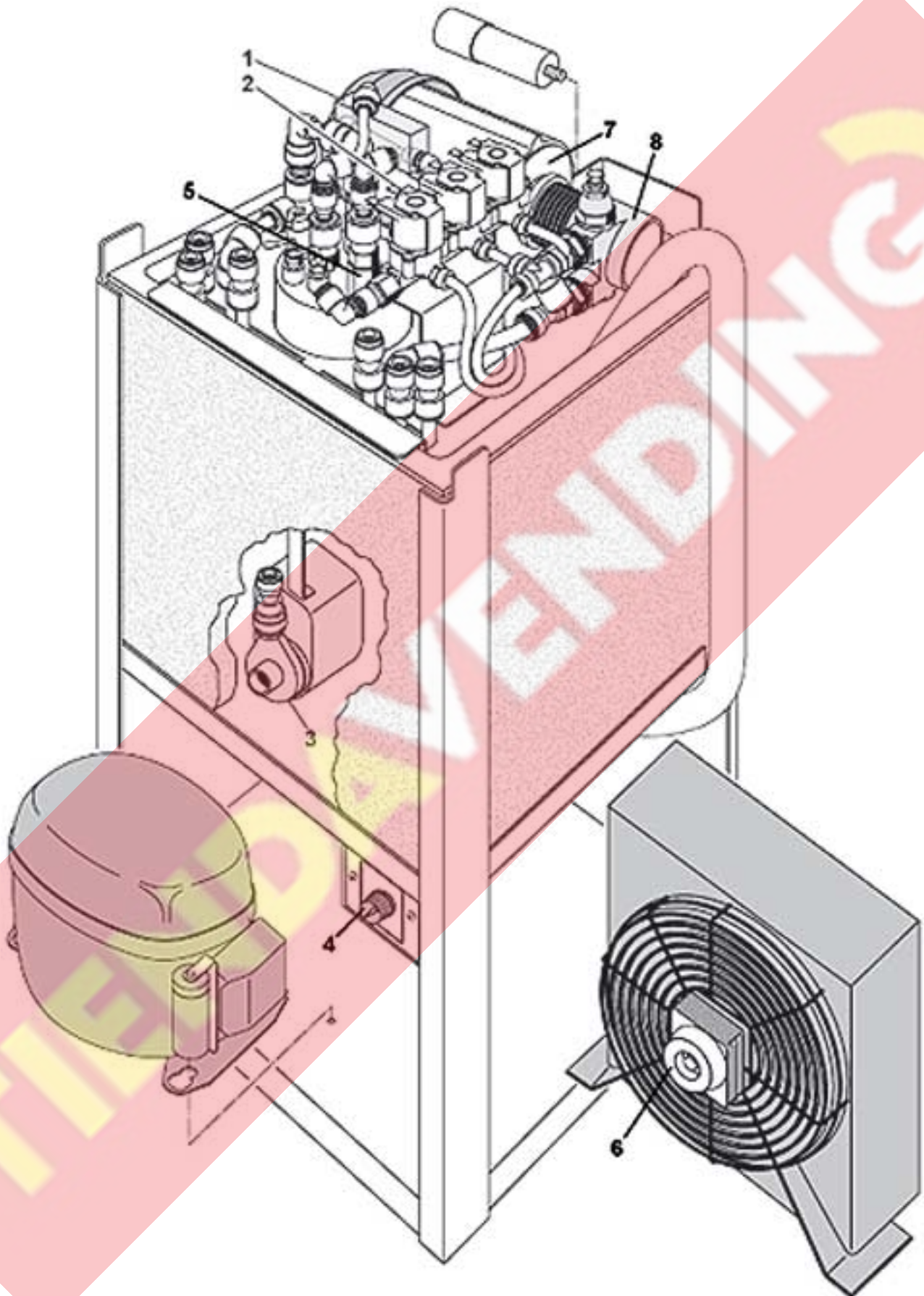
LUCE SPAQA WATER INLET		
Pos.	Code	Description
1	Z0010015496	EV SUPPORT- PRESSURE REDUCTION
2	VIT0000236	SCREW HEX HEAD M6X11
3	Z0010015497	EV SUPPORT
5	VIT0000030	SCREW HEAD TAP CAP M4X7
6	Z0100005048	ADAPTER 3/4 FEMALE-1/4 FEMALE
7	Z0100005031	STRAIGHT TERMINAL D.8 1/4 CIL.
8	Z0100005067	ELBOW D.8
9	TPE0000003	LLDPE PIPE D. 6X8 TRANSPARENT
10	Z0100005032	STRAIGHT CONNECTOR D.8 1/4
11	Z0010015494	PRESSURE REDUCTOR SUPPORT
12	Z0110003007	MICROREGULATOR

LL



LUCE SPAQA CONTROL PANEL		
Pos.	Code	Description
1	Z0130012015	ELECTRICAL PANEL FRAME
2	ELE0003507	FUSE HOLDER 250V 16A
3	ELE0003023	FUSE 6.3X32 4A
4	ELE0002305	MOLVENO PLUG
5	Z0130012017	CONTROL PANEL COVER
6	VIT0002401	SCREW ST HEAD CAP M3.5X9.5
7	ELE0062008	BOARD SUPPORT
8	SCH0005300	H2O MODULE BOARD
9	ELE0009055	NOISE FILTER 16A
10	ELT0030594	DRIVER BOARD -H2O MODUL CONNEC
11	ELE0056007	9 POLES CABLE
12	VIT0003106	WASHER D.8,2
13	VIT0004506	NUT M8
14	ELE0002312	MAINS SOCKET IEC 250V 10A
15	VIT0002009	SCREW ST HEAD CAP M3.5X6.5

COOLING UNIT



COOLING UNIT		
Pos.	Code	Description
1	Z0550050029	LINE COMPENSATOR FOR SODA
2	Z0550050028	INLET VALVE 230V
3	Z0550050027	IMMERSION PUMP
4	Z0550050024	THERMOSTAT
5	Z0550050030	NON RETURN VALVE
6	Z0550050023	MOTOR FAN 10W 220V-50HZ
7	Z0550050025	MOTOR 165W 230V-50HZ
8	Z0550050026	PUMP 200 LT
100	Z0550050022CL	ICE CASING