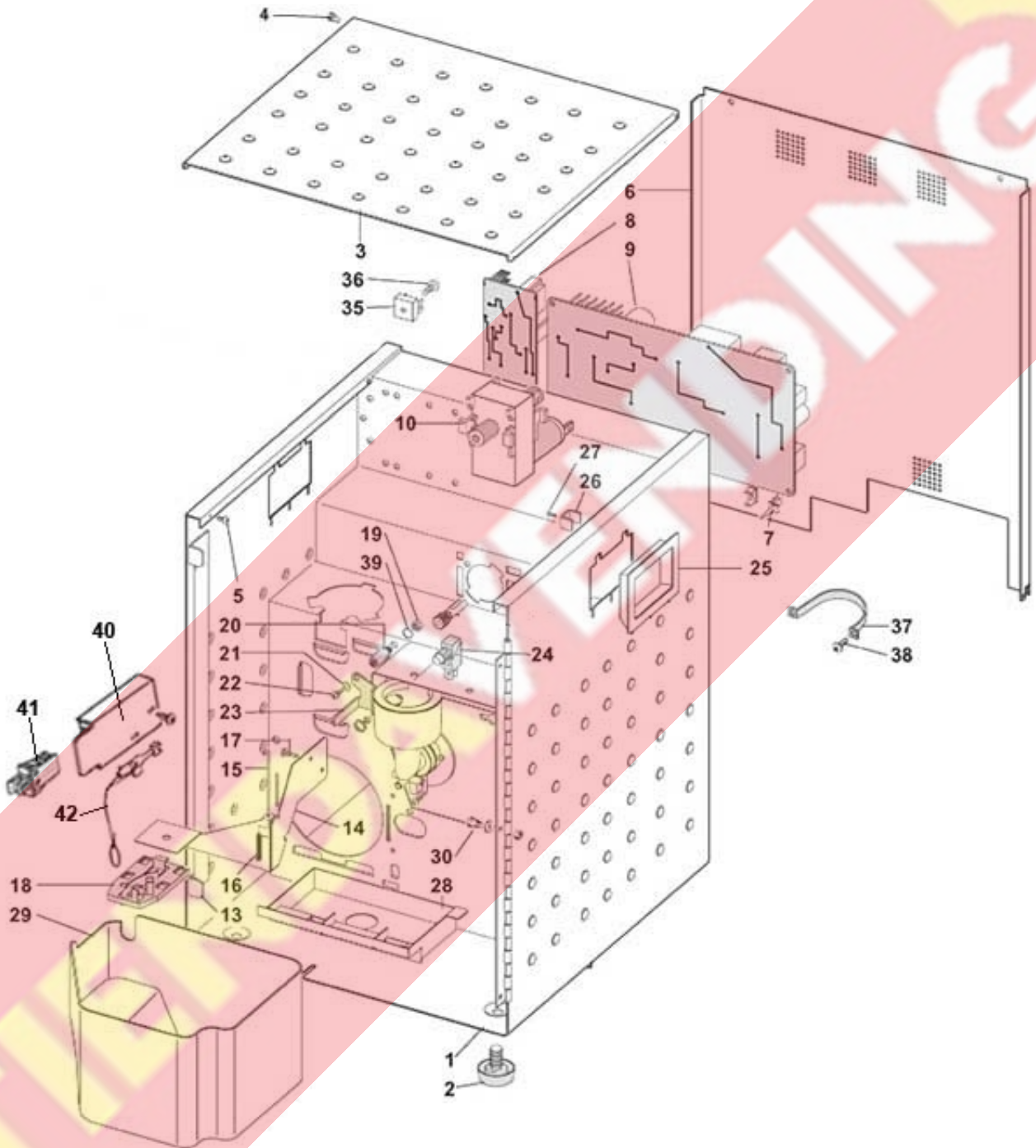


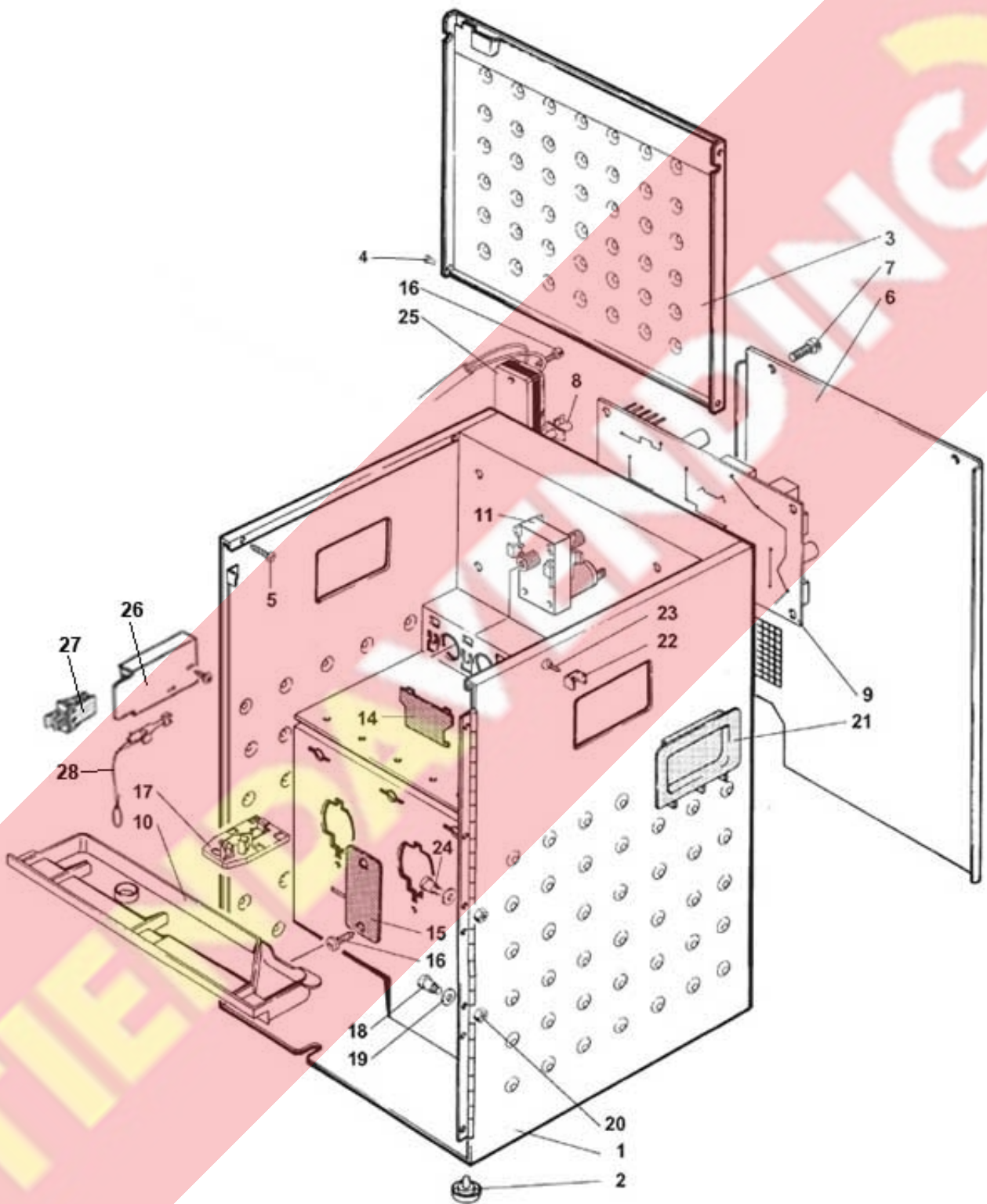
vending machine



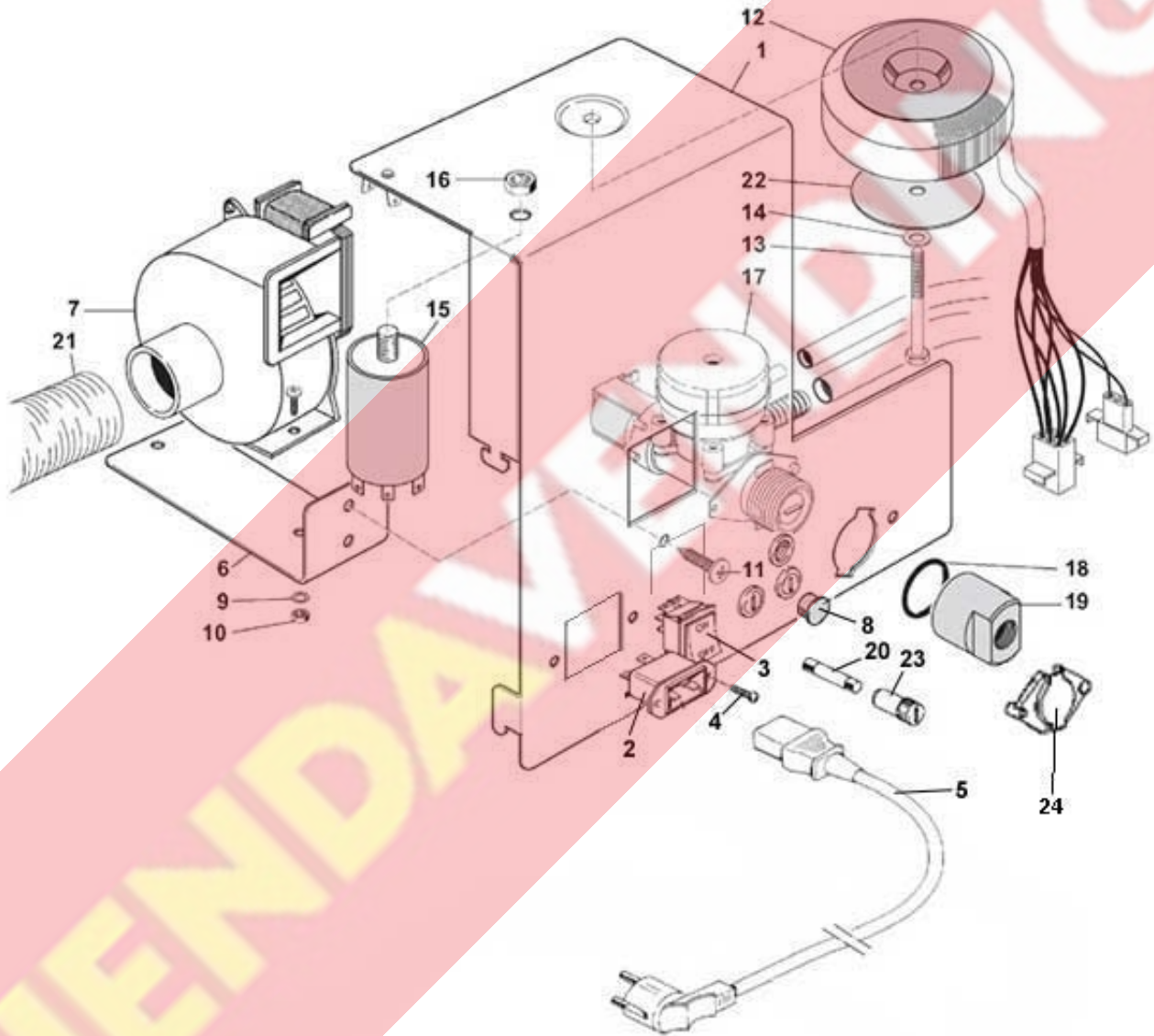
spare parts manual



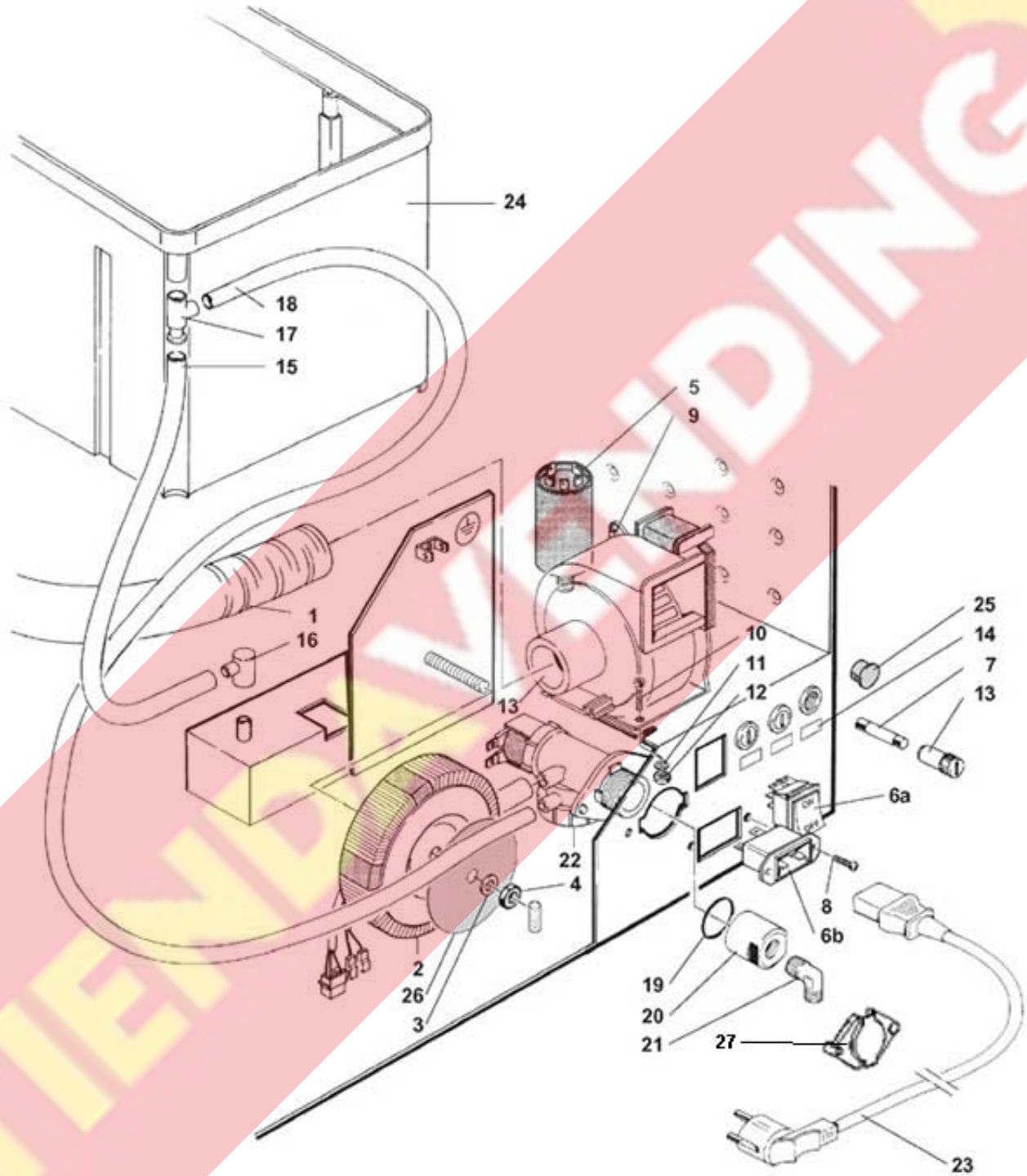
cabinet		
Pos.	Code	Description
1/a	Z0010020105	"XS ""E"" CABINET STRUCTURE AS Up to serial 03209999
1/b	Z0010020805CM	CABINET RAL 9006 from serial 03210001
2	Z0010020169	MACHINE FOOT D.22X7 M.6X11
3/a	Z0010020113	UPPER LID
3/b	Z0010020816CM	UPPER COVER RAL 9006
4	Z0010020754R	§ UPPER COVER PIN
5	VIT0002009	SCREW ST HEAD CAP M3.5X6.5
6/b	Z0010020845CM	REAR PANEL RAL9006 For version UL
7	ELE0062008	BOARD SUPPORT
8		See table control and power logic with eprom
9		See table control and power logic with eprom
10	Z0090002113	MOTOR 24 DC 97 RPM
13	Z0010020133	NOZZLES HOLDER BRACKET
14	Z0010020134	NOZZLES HOLDER BRACKET LATERAL
15	Z0010020137	PIN
16	Z0010020138	SPRING
17	VIT0002401	SCREW ST HEAD CAP M3.5X9.5
18	Z0010020409	NOZZLE HOLDER
19	VIT0004505	NUT M6
20	Z0010020196	BREWER FIX LEVER
21	VIT0003301	WASHER 4,3X12X1,5
22	VIT0000030	SCREW HEAD TAP CAP M4X7
23	Z0010020132	FIXING PLATE
24	ELE0001506	MICROSWITCH
25	Z0010020026NA	HANDLE RAL 9005
26	4600010012	DRINK SELECTION PANEL BRACKET
27	VIT0002028	SCREW ST HEAD CAP M3.9X13
28	Z0010022115	TRAP DRAWER
29/a	Z0010020191	GROUNDS CONTAINER
29/b	Z0010020823	COMPONENT NOT MORE SOLD For version UL
30/a	Z0010020116	MIXER SUPPORT
30/b	Z0010020125	MIXER SUPPORT
31	Z0020035125	SPACER
32	VIT0003103	SPRING WASHER 4,3
33	VIT0004503	NUT M4
34	Z0020035124	SPACER
35	ELT0006005	DIODE BRIDGE 25A 600V
36	VIT0000014	SCREW HEAD TAP CAP M4X16
37	Z0010020186	GRINDER HOOK
38	VIT0000014	SCREW HEAD TAP CAP M4X16
39	GUA0000004	OR 104 NBR AL 75 BLACK
40	Z0010020772	SWITCH SUPPORT
41/a	ELE0002009	BIPOLAR SWITCH 15A 250V
41/b	ELE0002009	BIPOLAR SWITCH 15A 250V For version UL
42	Z0270011109R0	§ SERVICE KEY



cabinet		
Pos.	Code	Description
1/a	Z0010020005	XS-H CABINET STRUCTURE ASSEMBL Up to serial 02019999
1/b	Z0010020355	CABINET XS Up to serial 02019999
1/c	Z0010020065	CABINET Up to serial 03219999
1/d	Z0010020784NA	CABINET RAL 9005 from serial 03220001
1/d	Z0010020784CM	CABINET RAL 9006 from serial 03220001
1/f	Z0010020835	UL XS H CABINET STRUCTURE
2	GUA0011011	MACHINE FOOT D.25
3/a	Z0010020021	UPPER LID
3/b	Z0010020766NA	UPPER COVER RAL. 9005 XS
3/b	Z0010020766CM	UPPER COVER RAL. 9006 XS
4	Z0010020754R	§ UPPER COVER PIN
5	VIT0002009	SCREW ST HEAD CAP M3.5X6.5
6/a	Z0010020017R	§ REAR PANEL Up to serial 020199999
6/b	Z0010020164R	U.S.A. REAR DOOR from serial 0202001
6/c	Z0010020770NA	REAR PANEL RAL 9005
6/c	Z0010020770CM	REAR PANEL RAL 9006
6/d	Z0010020842R	XS H UL REAR DOOR
7	VIT0000030	SCREW HEAD TAP CAP M4X7
8	ELE0062008	BOARD SUPPORT
9		See table coffee beans container group
10/a	Z0010020016V0	TRAP DRAWER RAL 7037 Up to serial 02019999
10/b	Z0010020072-02	TRAP DRAWER 3 HOLES from serial 0202001
11	Z0090002113	MOTOR 24 DC 97 RPM
14	Z0010020029NA	GEARBOX MOTOR PLUG BLACK
15	Z0010020028NA	MIXER PLUG BLACK
16	VIT0002401	SCREW ST HEAD CAP M3.5X9.5
17/a	Z0010020051	NOZZLE HOLDER
17/b	Z0010020057	NOZZLE HOLDER
17/c	Z0010020267	NOZZLE HOLDER
18/a	4060010126	PAYM SYSTEM FIXING SCREW
18/b	Z0020035125	SPACER
19	VIT0003103	SPRING WASHER 4,3
20	VIT0004503	NUT M4
21	Z0010020026NA	HANDLE RAL 9005
22	4600010012	DRINK SELECTION PANEL BRACKET
23	VIT0002028	SCREW ST HEAD CAP M3.9X13
24	Z0020035124	SPACER
25	ELE0001012R	§ RELAY Check the heating element connectors status
26	Z0010020772	SWITCH SUPPORT
27/a	ELE0002009	BIPOLAR SWITCH 15A 250V
27/b	ELE0002009	BIPOLAR SWITCH 15A 250V
28	Z0270011109R0	§ SERVICE KEY



rear cabinet		
Pos.	Code	Description
1/a	Z0010020813	TRAP SUPPORT
1/b	Z0010020848	EXHAUST SUPPORT UL For version UL
2	ELE0002310	MAINS SOCKET IEC 250V 15A
3	ELE0002014	BIPOLAR SWITCH 15A 250V
4	VIT0002009	SCREW ST HEAD CAP M3.5X6.5
5/a	ELE0055008	SUPPLY CABLE+PLUG+SCHUK.SOCKET
5/b	ELE0055009	SUPPLY CABLE+PLUG+CH SOCKET
5/c	ELE0055010	SUPPLY CABLE+PLUG+GBSOCKET
5/d	ELE0055013	SUPPLY CABLE+PLUG
5/e	ELE0055015	SUPPLY CABLE+PLUG 15A+SOCKET For version UL
5/f	ELE0055018	SUPPLY CABLE+PLUG+ZA SOCKET
5/g	ELE0055021	POWER LEAD-IEC PLUG-IRAM
6	Z0010020145	TRAP SUPPORT
7/a	ELE0000459	TRAP 26/50 D. 55
7/b	ELE0000355	TRAP 24V 60HZ
8	GUA0011010	PLUG
9	VIT0003103	SPRING WASHER 4,3
10	VIT0004503	NUT M4
11	VIT0002401	SCREW ST HEAD CAP M3.5X9.5
12/a	ELE0000569R1	§ TRANSFOMER 220VA
12/b	ELE0000575R1	§ TRANSFOMER 220VA 120/60 For version UL
12/c	ELE0000568R	TRANSFOMER 100VA
13	VIT0000241	SCREW HEX HEAD M6X60
14	VIT0003005	WASHER 6,4X12X1,6
15/a	ELE0009055	NOISE FILTER 16A
15/b	ELE0009060	NOISE FILTER 16A UL For version UL
16	VIT0004506	NUT M8
17	Z0110001086	WATER INLET VALVE 24V DC Just for main water supply
18	GUA0000021	OR 130 NBR AL 75 BLACK Just for main water supply
19	Z0100006001-01	F/F CYLINDRIC 3/4-3/8 REDUCT. Just for main water supply
20/a	ELE0003024	CERAMIC FUSE 6,3X32 12A
20/b	ELE0003029	FUSE 6.35X31.8 12A For version UL
21	TEOL000002	EXTRACTOR TUBE D.30
22		It is a part of the pos. 12
23/a	ELE0003507	FUSE HOLDER 250V 16A
23/b	ELE0003508	FUSE HOLDER 250V 16A For version UL
23/c	ELE0003508CL	FUSE HOLDER+FUSE 12A
24	Z0010020839	INLET H2O VALVE PLUG

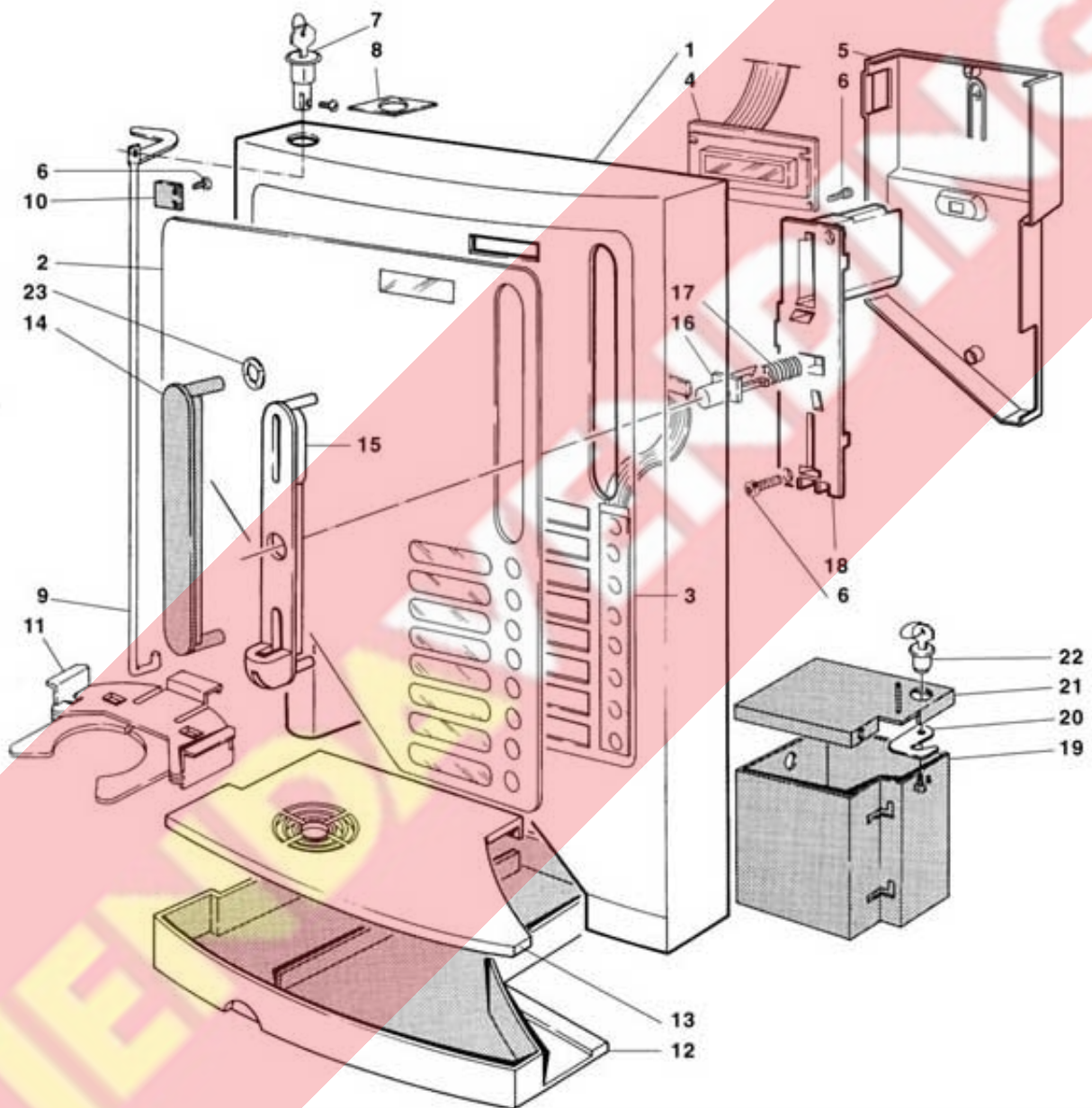


rear cabinet		
Pos.	Code	Description
1	TEOL000002	EXTRACTOR TUBE D.30
2/a	ELE0000555R	§ TOROIDAL TRANSFORMER 230V
2/b	ELE0000571R	§ TOROIDAL TRANSFORMER 120V
3	VIT0003005	WASHER 6,4X12X1,6
4	VIT0004505	NUT M6
5/a	ELE0009055	NOISE FILTER 16A
5/b	ELE0009060	NOISE FILTER 16A UL
6	ELE0002309CL	§ SOCKET+WIRING Up to serial 0201999
6/b	ELE0002310	MAINS SOCKET IEC 250V 15A from serial 0202001
6/a	ELE0002014	BIPOLAR SWITCH 15A 250V from serial 0202001
7/a	ELE0003028	GLASS FUSE 5X20 6,3A Up to serial 0201999
7/b	ELE0003024	CERAMIC FUSE 6,3X32 12A from serial 0202001
7/c	ELE0003029	FUSE 6.35X31.8 12A
7/d	ELE0003035	FUSE 6.3X32 15A
8	VIT0002401	SCREW ST HEAD CAP M3.5X9.5
9/a	ELE0000355	TRAP 24V 60HZ
9/b	ELE0000459	TRAP 26/50 D. 55
10	VIT0000012	SCREW HEAD TAP CAP M4X10
11	VIT0003103	SPRING WASHER 4,3
12	VIT0004503	NUT M4
13	ELE0003507	FUSE HOLDER 250V 16A
14/a	1010100110	FUSE 12A LABEL
14/b	1010100124	FUSE 12A LABEL
14/c	1010100125	FUSE LABEL 12-15-15A JAPAN
15/a	TSIL07/11T-10	SILICON HOSE 7X11 MT.10
15/b	TSIL07/11T-50	SILICON HOSE 7X11 MT.50
16	Z0600016030	CONNECTOR
17	Z0600016028	T CONNECTOR
18/a	TSIL05/08T-10	SILICON HOSE 5X8 MT.10
18/b	TSIL05/08T-50	SILICON HOSE 5X8 MT.50
19	GUA0000021	OR 130 NBR AL 75 BLACK
20	Z0100006001-01	F/F CYLINDRIC 3/4-3/8 REDUCT.
21	Z0100001022	ELBOW CONNECTOR 8-3/8-1/4
22	Z0110001058	WATER INLET VALVE 24V DC
23/a	ELE0055008	SUPPLY CABLE+PLUG+SCHUK.SOCKET
23/b	ELE0055009	SUPPLY CABLE+PLUG+CH SOCKET
23/c	ELE0055010	SUPPLY CABLE+PLUG+GBSOCKET
23/d	ELE0055015	SUPPLY CABLE+PLUG 15A+SOCKET
23/e	ELE0055012	SUPPLY CABLE+PLUG+SCHUK.SOCKET
23/f	ELE0055013	SUPPLY CABLE+PLUG
23/g	ELE0055015	SUPPLY CABLE+PLUG 15A+SOCKET
23/h	ELE0055018	SUPPLY CABLE+PLUG+ZA SOCKET
25	GUA0011010	PLUG
23/i	ELE0055021	POWER LEAD-IEC PLUG-IRAM
24		See table Thermofuse boiler
26		It is a part of the pos. 2
27	Z0010020839	INLET H2O VALVE PLUG

rear cabinet		
100	ELE0003507CL	FUSE HOLDER+FUSE 12A

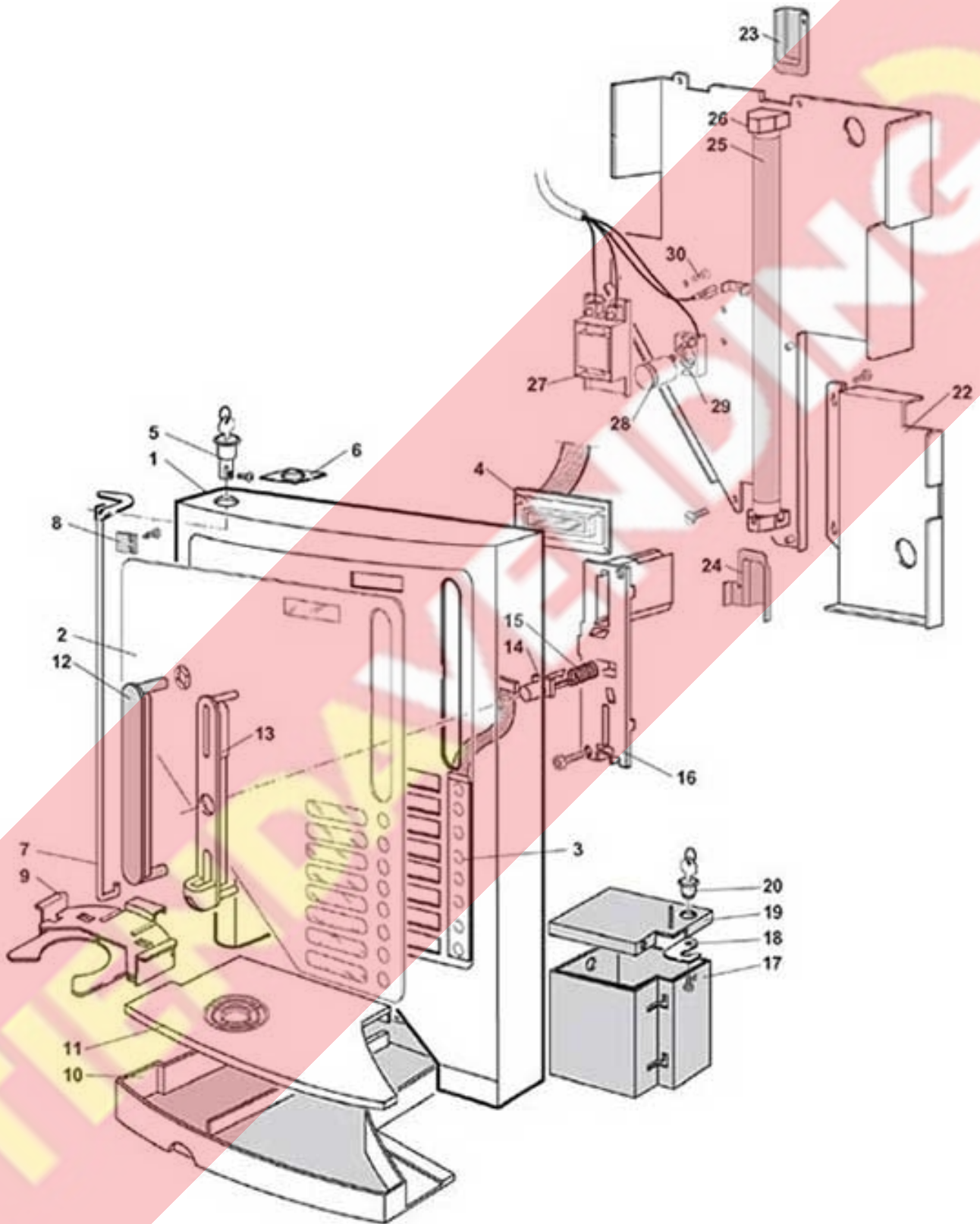


DOOR



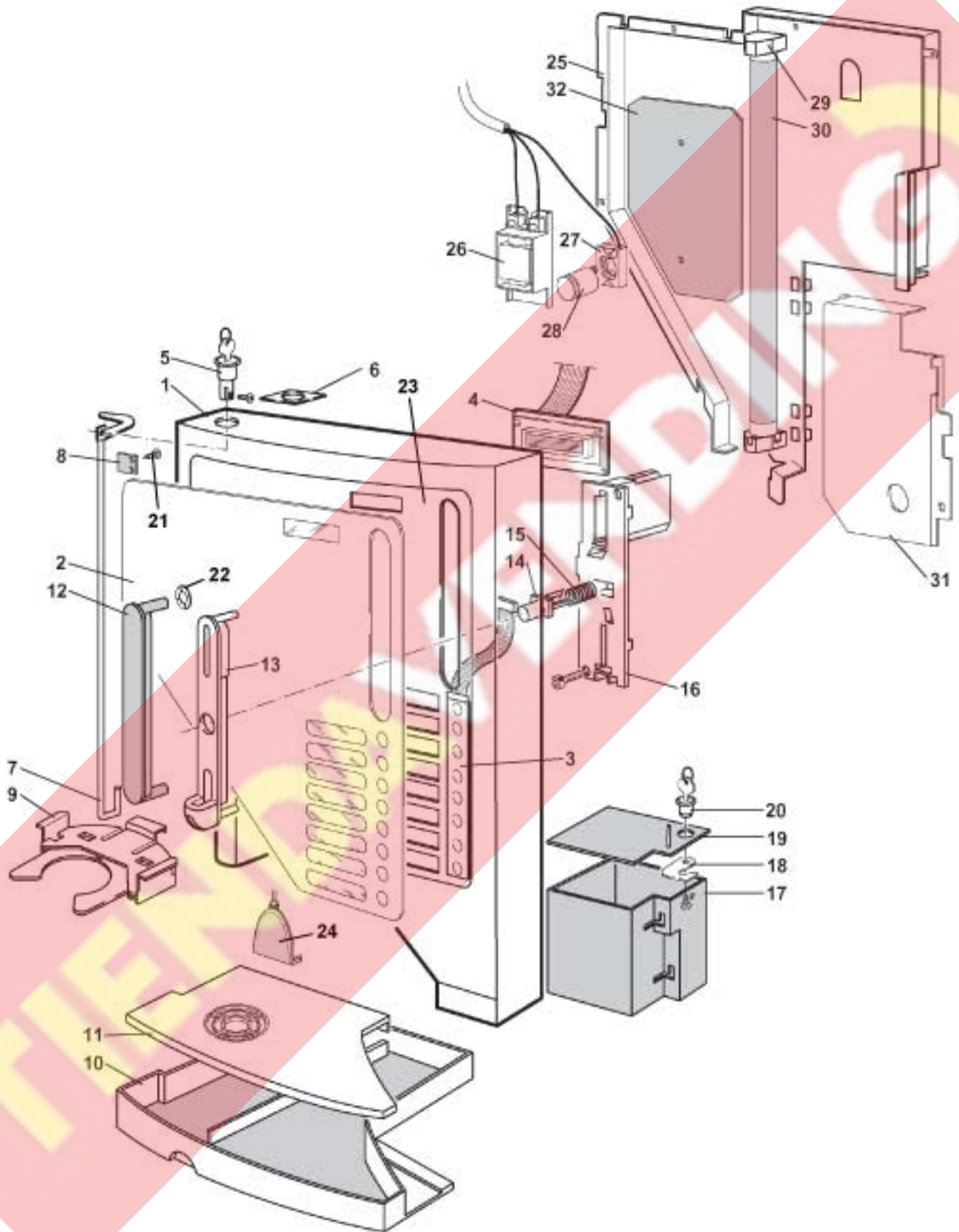
DOOR		
Pos.	Code	Description
1	Z0020035005	DOOR BLACK
2		Please communicate the panel needed
3	Z0020035036	KEYPAD 8 BUTTON
4		See table control and power logic with eprom
5	Z0020035008	DISPLAY COVER
6	VIT0002452	SCREW HEAD TAP M3.5X12
7	SER0000012	LOCK
8	Z0020035041	LOCK PLATE
9/a	Z0020035045	LOCK SHAFT
9/b	Z0020035055	LOCK SHAFT
10	Z0020035046	PLATE
11/a	Z0020027080R	§ CUP SUPPORT RAL9005
11/b	Z0020027081R	§ CUP SUPPORT RAL9005
13	Z0020035007	H2O DRIP TRAY GRID
14/a	Z0020035029NA	COIN ENTRY BLANK.PLATE BLACK
14/b	Z0020035029KB	COIN ENTRY BLANK.PLATE
15/a	Z0020035031NA	COIN ENTRY PLATE BLACK
15/b	Z0020035031KB	COIN ENTRY PLATE
16/a	Z0020035033KA	COIN RETURN BUTTON RAL3020
16/b	Z0020035033KB	COIN RETURN BUTTON
16/c	Z0020035033CM	COIN RETURN BUTTON RAL9006
17	Z0020035034	COIN RETURN BUTTON SPRING
18	Z0020035032NA	PAYM SYSTEM SUPPORT
19/a	Z0020035123NA	COIN BOX RAL 9005
19/b	Z0020035123NA	COIN BOX RAL 9005
20/a	Z0020035126NA	LOCK BRACKET BLACK
20/b	Z0020035126NA	LOCK BRACKET BLACK
21/a	Z0020035122NA	COIN BOX LID RAL 9005
21/b	Z0020035122NA	COIN BOX LID RAL 9005
22/a	SER0000015	LOCK MM20 C.3430
22/b	SER0000001/1	INOX LOCK C6802
23	VIT0007109	BENZING CLIP
100	Z0020035122R	COIN BOX LID (pos. 18/a+19/a+20/a)
101	Z0020035122R	COIN BOX LID (pos. 18/a+19/a+20/a)

Lighted Door



Lighted Door		
Pos.	Code	Description
1	Z0020035135	XS DOOR RAL 9005
2		Please communicate the panel needed
3	Z0020035036	KEYPAD 8 BUTTON
4	see tab. 16	
5	SER0000012	LOCK
6	Z0020035041	LOCK PLATE
7	Z0020035055	LOCK SHAFT
8	Z0020035046	PLATE
9/a	Z0020027081R	§ CUP SUPPORT RAL9005
9/b	Z0020027080R	§ CUP SUPPORT RAL9005
11	Z0020035007	H2O DRIP TRAY GRID
12/a	Z0020035029NA	COIN ENTRY BLANK.PLATE BLACK
12/b	Z0020035029KB	COIN ENTRY BLANK.PLATE
13/a	Z0020035031NA	COIN ENTRY PLATE BLACK
13/b	Z0020035031KB	COIN ENTRY PLATE
14/a	Z0020035033KA	COIN RETURN BUTTON RAL3020
14/b	Z0020035033KB	COIN RETURN BUTTON
14/c	Z0020035033CM	COIN RETURN BUTTON RAL9006
15	Z0020035034	COIN RETURN BUTTON SPRING
16	Z0020035032NA	PAYM SYSTEM SUPPORT
17/a	Z0020035123NA	COIN BOX RAL 9005
17/b	Z0020035123NA	COIN BOX RAL 9005
18/a	Z0020035126NA	LOCK BRACKET BLACK
18/b	Z0020035126NA	LOCK BRACKET BLACK
19/a	Z0020035122NA	COIN BOX LID RAL 9005
19/b	Z0020035122NA	COIN BOX LID RAL 9005
20/a	SER0000015	LOCK MM20 C.3430
20/b	SER0000001/1	INOX LOCK C6802
22	Z0020035143AE	LABELS FLAP
23	Z0020035137	WIRING PROTECTION
24	Z0020035138	WIRING PROTECTION
25	ELE0009018	LAMP F8W-CW-T5
26	ELE0009107	NEON LAMP HOLDER
27	ELE0009127	BALLAST 230V
28	ELE0009109	BALLAST 4/65W
29	ELE0009108	BALLAST HOLDER
30	VIT0000030	SCREW HEAD TAP CAP M4X7
100	Z0020035122R	COIN BOX LID (pos. 18/a+19/a+20/a)
101	Z0020035122R	COIN BOX LID (pos. 18+19+20)

Lighted Door

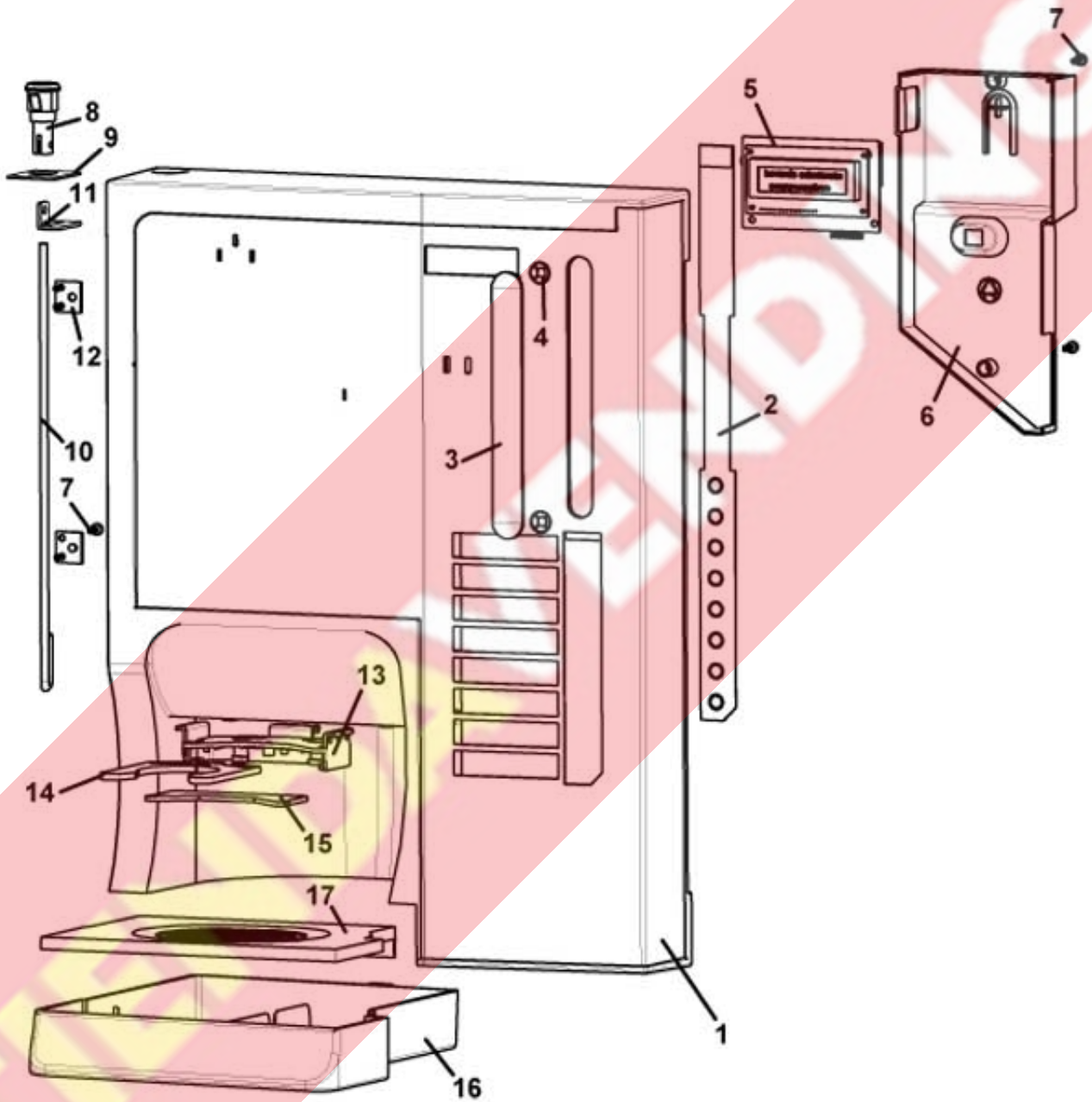


Lighted Door		
Pos.	Code	Description
1/a	Z0020035205CM	DOOR RAL9006
1/b	Z0020035104	UL/CSA XS DOOR
2		Please communicate the panel needed
3	Z0020035036	KEYPAD 8 BUTTON
4	see tab. 16	
5/a	SER0000012	LOCK
5/b	SER0000027	LOCK
6	Z0020035041	LOCK PLATE
7	Z0010020519	LOCK SHAFT
8	Z0020035046	PLATE
9/a	Z0020027081R	§ CUP SUPPORT RAL9005
9/b	Z0020027080R	§ CUP SUPPORT RAL9005
11/a	Z0020035007	H2O DRIP TRAY GRID
11/b	Z0020035099	H2O DRIP TRAY GRID
12	Z0020035029KB	COIN ENTRY BLANK.PLATE
12	Z0020035029NA	COIN ENTRY BLANK.PLATE BLACK
12	Z0020035029CM	COIN ENTRY BLANK.PLATE RAL9006
13	Z0020035031CM	COIN ENTRY PLATE RAL9006
13	Z0020035031KB	COIN ENTRY PLATE
13	Z0020035031NA	COIN ENTRY PLATE BLACK
14	Z0020035033CM	COIN RETURN BUTTON RAL9006
14	Z0020035033KA	COIN RETURN BUTTON RAL3020
14	Z0020035033KB	COIN RETURN BUTTON
14	Z0020035033NA	COIN RETURN BUTTON BLACK
15	Z0020035034	COIN RETURN BUTTON SPRING
16	Z0020035032NA	PAYM SYSTEM SUPPORT
17	Z0020035123NA	COIN BOX RAL 9005
18	Z0020035126NA	LOCK BRACKET BLACK
19	Z0020035122NA	COIN BOX LID RAL 9005
20	SER0000015	LOCK MM20 C.3430
21	VIT0002452	SCREW HEAD TAP M3.5X12
22	VIT0007109	BENZING CLIP
23	Z0020035206	GRAPHIC PANEL XS 03
24	Z0020035209KA	LIGHT INSERT RAL3020
24	Z0020035209NA	LIGHT INSERT BLACK
25	Z0020035207	DOOR LID XS03
26/a	ELE0009127	BALLAST 230V
26/b	ELE0009119	BALLAST W4-6-8- 118V
26/c	ELE0009124	UL 120 V BALLAST
27/a	ELE0009122	BALLAST HOLDER
27/b	ELE0009123	PORTASTARTER 11/L UL
28/a	ELE0009109	BALLAST 4/65W
28/b	ELE0009118	BALLAST 4/22W
29	ELE0009121	LAMP HOLDER
30	ELE0009018	LAMP F8W-CW-T5
31	Z0020035208	LABEL FLAP
32	Z0020035219	REACTOR DISSIPATOR

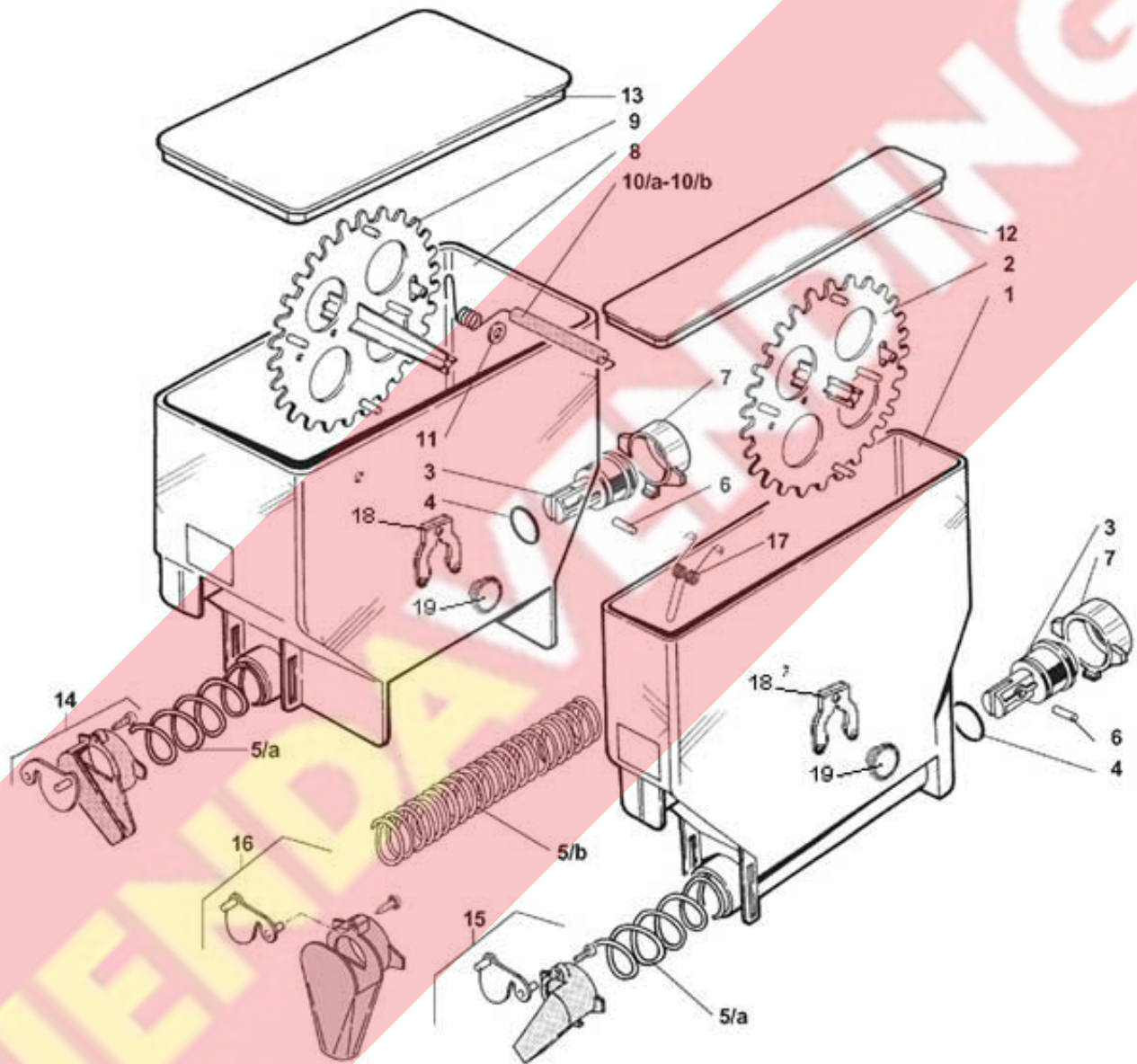
Lighted Door		
100	Z0020035122R	COIN BOX LID

TIENDA VENDING

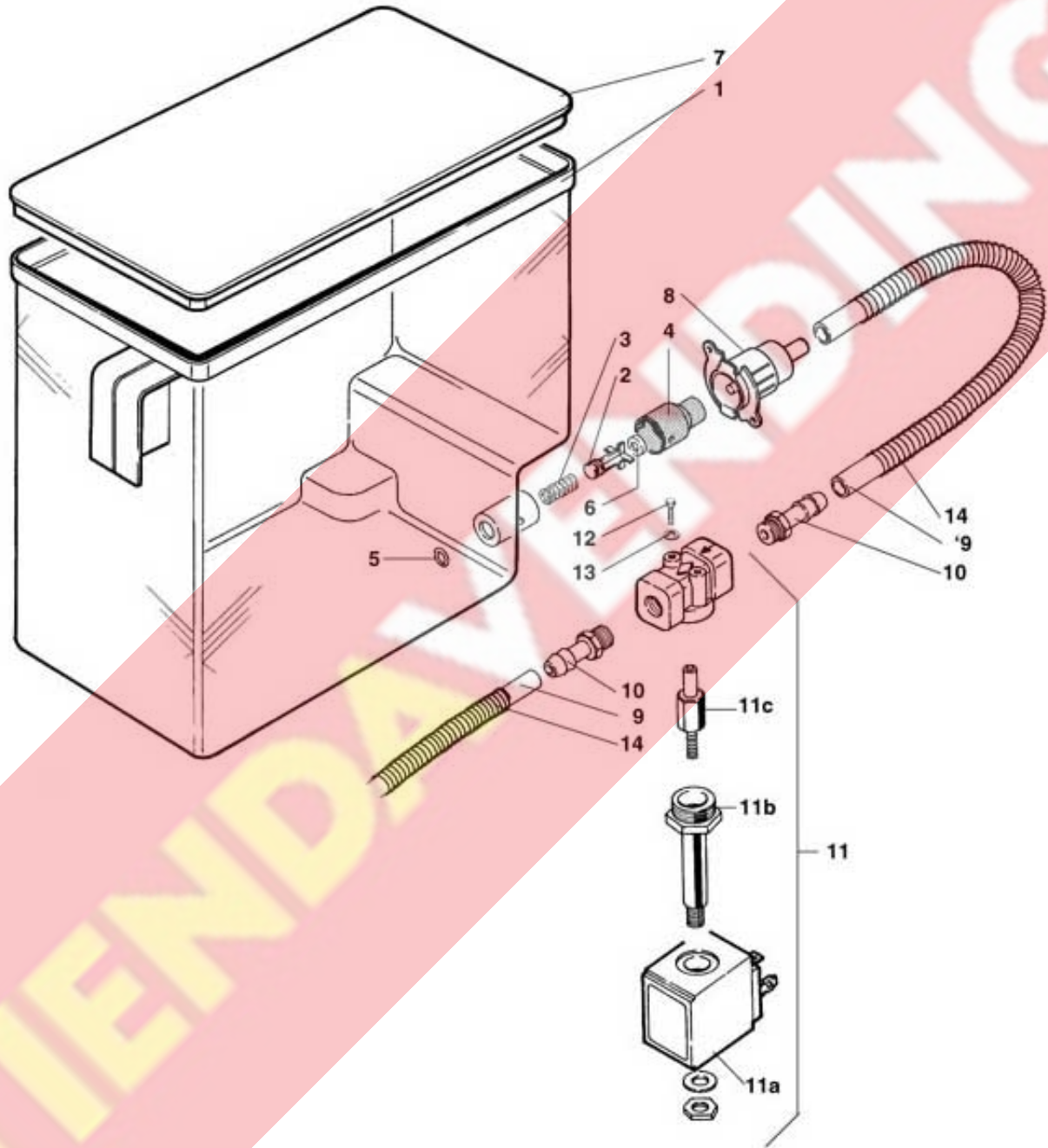
DOOR



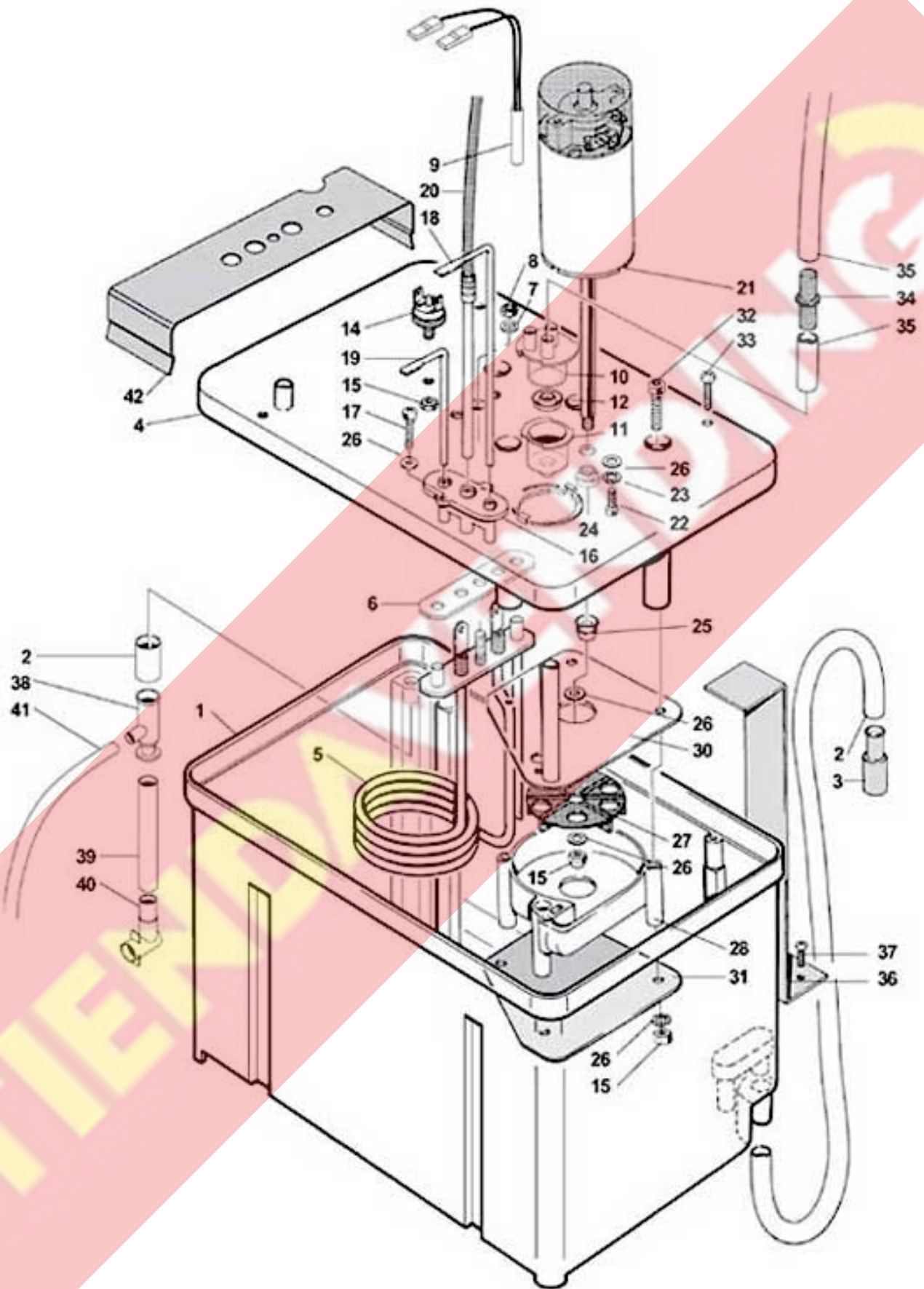
DOOR		
Pos.	Code	Description
1/a	Z0020035654CM	DOOR RAL9006
1/b	Z0020035651NA	SPECIAL EDITION DOOR
2	Z0020035036	KEYPAD 8 BUTTON
3	Z0020035029KB	COIN ENTRY BLANK.PLATE
3	Z0020035029NA	COIN ENTRY BLANK.PLATE BLACK
3	Z0020035029CM	COIN ENTRY BLANK.PLATE RAL9006
4	VIT0007109	BENZING CLIP
5		See table new electronic control and power logic
6	Z0020035008	DISPLAY COVER
7	VIT0002452	SCREW HEAD TAP M3.5X12
8	SER0000012	LOCK
9	Z0020035041	LOCK PLATE
10/a	Z0010020518	PIN D.5
10/b	Z0010020519	LOCK SHAFT
11/a	Z0020035054	LOCK PIN
12	Z0020035046	PLATE
13	Z0020035121NA	CUP SUPPORT BODY
15/a	Z0020027079NA	CUP SUPPORT BODY
15/b	Z0020027080R	§ CUP SUPPORT RAL9005
16	Z0020035652	WATER DRIP TRAY
17	Z0020035653	DRIP TRAY GRID



products container		
Pos.	Code	Description
1	Z0230030500	INGREDIENT CANISTER 54 190
2	Z0230030236AB	§ WHEEL MM54
3	Z0230030012	SPIRAL PIN
4	GUA0000083	OR 123 RED SILICONE A70
5/a	Z0230030014	SPIRAL 18
5/b	Z0230030013	SPIRAL 9
6	VIT0005106	PIN 2X14
7	Z0230030011	REAR BUSH
8	Z0230030520	INGREDIENT CANISTER 110-190
9	Z0230030237AB	§ WHEEL MM110
10/a	Z0230030064	AGITATOR 112 - RIGHT OUTLET
10/b	Z0230030062	AGITATOR 112 - LEFT OUTLET
11	VIT0003210	WASHER 8,4X16X1,6
12	Z0230030156	CANISTER 54 LID
13	Z0230030158	CANISTER 110 LID
14/a	Z0230030058R	§ INGRED. CHUTE-RIGHT ORANGE
14/b	Z0230030044R	§ INGREDIENT CHUTE-RIGHT RED
15/a	Z0230030057R	§ INGREDIENT CHUTE-LEFT ORANGE
15/b	Z0230030043R	§ INGREDIENT CHUTE-LEFT RED
16	Z0230030059R	§ INGRED. CHUTE-FRONTALORANGE
17	Z0230030060-05	MIXER
18	Z0230030239	WHEEL PIN FORK
19	Z0230030238-02	WHEEL PIN
100	Z0230030522R	§ CAN. 110-190 AGIT.18 W/LID-R
101	Z0230030525R	§ CAN. 110-190 AGIT.18 W/LID-L
102	Z0230030506R	§ CANIS. 54-190 WHEEL18 W/LID
103	Z0230030502R	§ CANIS. 54-190 WHEEL9 W/LID
104	Z0230030500R1	§ CANISTER 54-190 Pos. 1+2+18+19
105	Z0230030520R0	§ CANISTER 110-190 Pos. 8+9+18+19

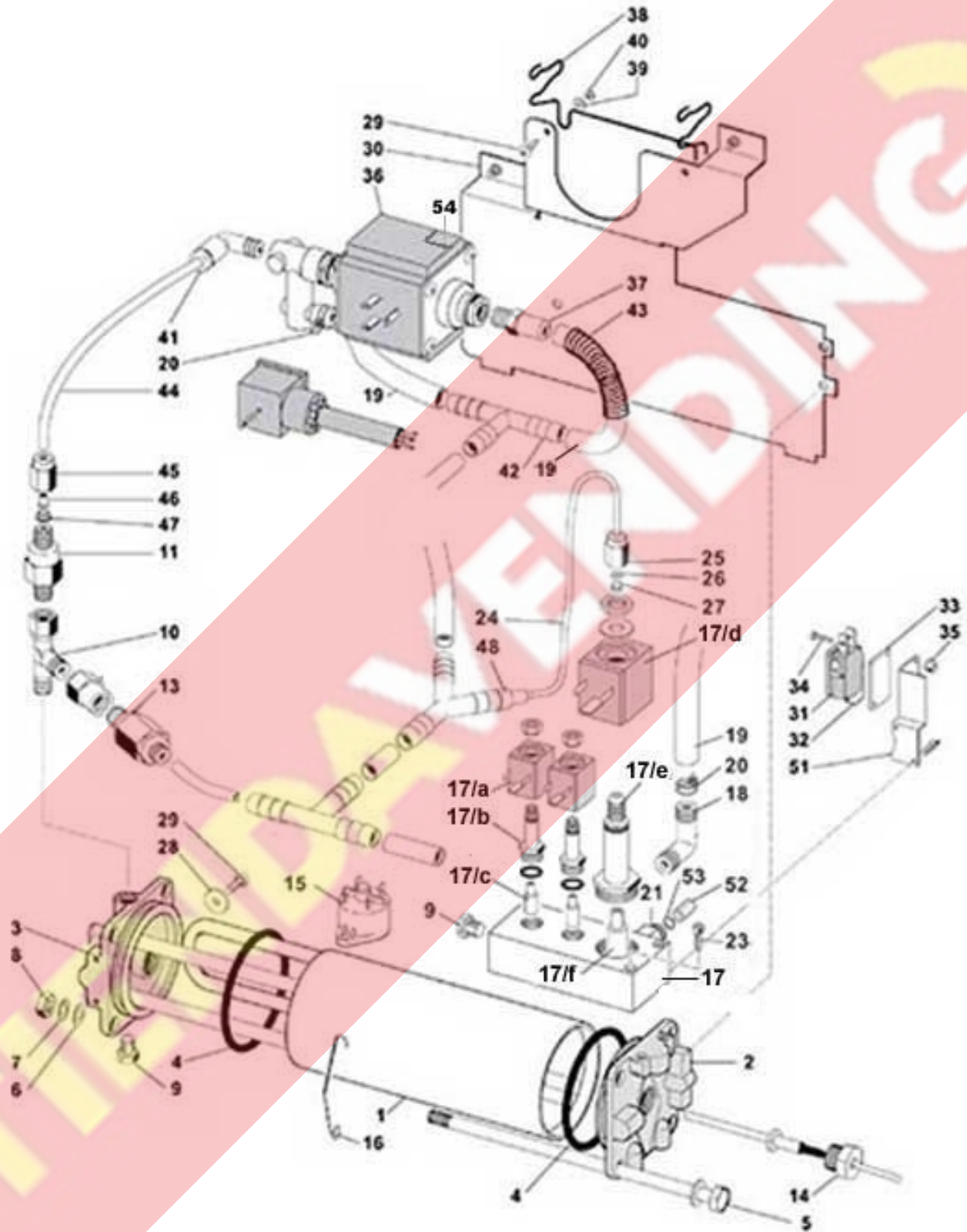


h2o tank for autonomous version		
Pos.	Code	Description
1	Z0800012005PF	WATER TANK
2	Z0800012009	WATER TANK CLOSING PIN
3	Z0800012012	PIN SPRING
4	Z0800012008	TANK HOLDER
5	GUA0000082	SILICON GASKET D.6
6	GUA0002008	SILICON GASKET DE 062
7	Z0230030009	CANISTER 112 LID
8	Z0800012015	WATER TANK CONNECTOR
9	TSIL07/11T	SILICON HOSE 7X11
10	Z0100217009	ELECTRICAL GROMMET D.10-1/4
11	Z0110001078	VALVE 2W 1/4 24V DC
11/a	Z0110010065	COIL 8 W 24 DC
11/b	Z0110010101	VALVE 2W SLEEVE
11/c	Z0110010102	CORE
12	VIT0000205	SCREW HEX HEAD M4X10
13	VIT0003301	WASHER 4,3X12X1,5
14	Z0010020063	NOZZLE SPRING D.7/11
100	Z0800012010R	§ WATER TANK W/LID (from pos.1 to pos.7)



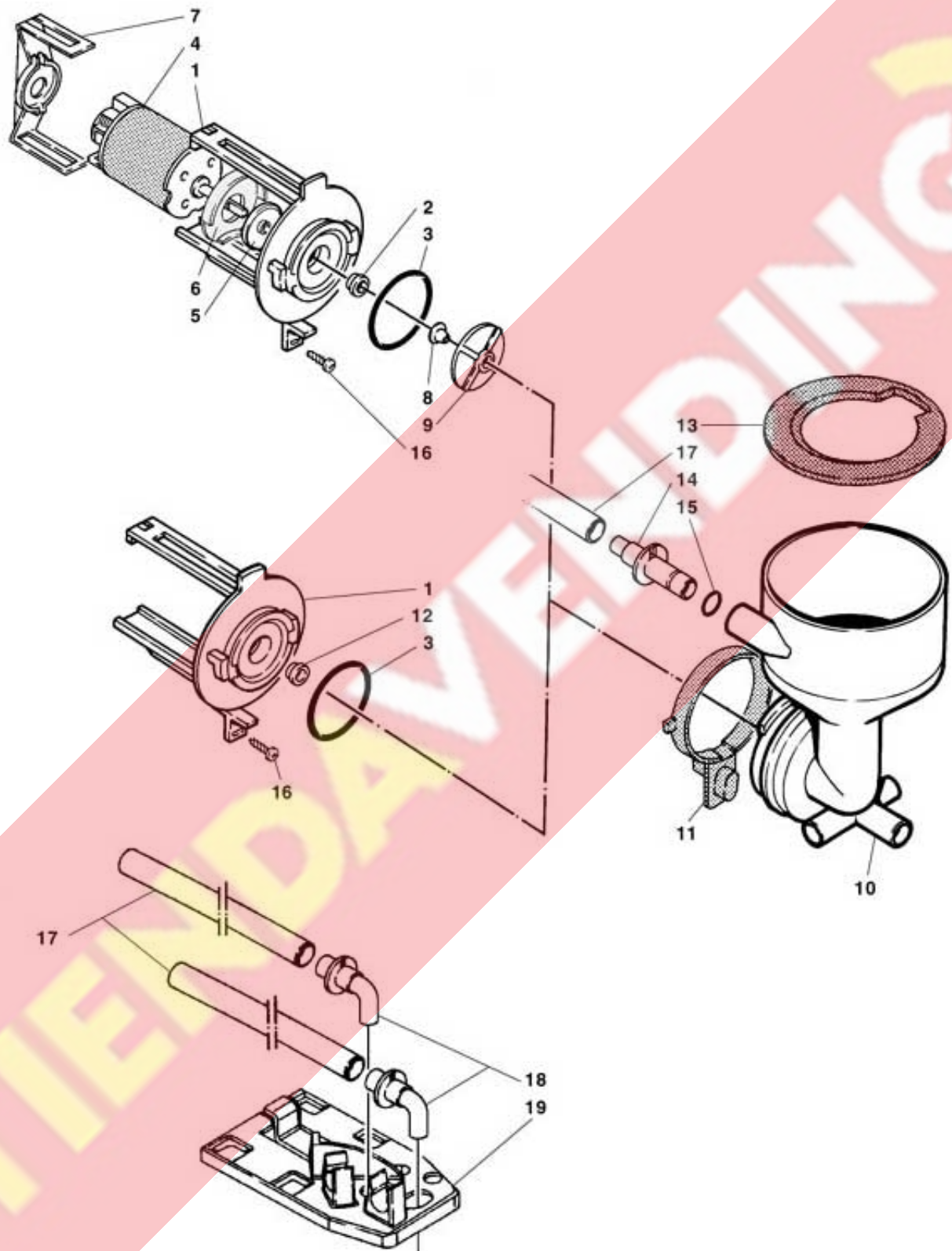
Thermofuse boiler		
Pos.	Code	Description
1	Z0600016008	BOILER TANK
2/a	TSIL10/14T-10	SILICON HOSE 10X14 MT.10
2/b	TSIL10/14T-50	SILICON HOSE 10X14 MT.50
3	650001057	DRAINER PLUG
4/a	Z0600016073R	§ BOILER COVER
4/b	Z0600016173	BOILER COVER
5/a	Z0600016067	HEATING ELEMENT 1300 W 230 V Up to serial 02019999
5/b	Z0600016136	HEATING ELEMENT 1600 W 230 V from serial 02020001
5/c	Z0600016068	HEATING ELEMENT 1100 W 120 V
5/d	Z0600016066	HEATING ELEMENT 1100 W 120 V
5/e	Z0600016069	HEATING ELEMENT 110 W 100 V
6/a	Z0600016084	HEATING ELEMENT GASKET For 230V version
6/b	Z0600016017	HEATING ELEMENT GASKET For 100V version
7	VIT0003203	WASHER 5,3X10X1
8	VIT0004804	NUT M5
9	ELE0003026CL	THERMOFUSE 121°
10	Z0600016071	CONNECTOR
11	Z0600016072	CONNECTOR HOUSING
12	GUA0002008	SILICON GASKET DE 062
14	ELE0000965	CLIXSON 88°
15	VIT0004816	NUT M4
16	Z0600016089	PROBE SUPPORT
17	VIT0001005	SCREW HEAD TAP CAP M4X12
18	Z0600016053	MINIMUM LEVEL PROBE
19	Z0600016054	MAXIMUM LEVEL PROBE
20	ELE0000963R	§ TEMPERATURE PROBE+SENSOR
21/a	Z0090003031	PUMP MOTOR 24V DC
31	Z0600016048	PUMP LOWER COVER
32	VIT0005527	SCREW HEX HEAD REC TAP M4X40
21/b	Z0090003032	PUMP MOTOR 24 DC W/ENCODER
22	VIT0001009	SCREW HEAD TAP CAP M4X16
23	VIT0003454	SPRING WASHER 4,2
24	Z0080001005	MIXER BUSH
25	GUA0001006	MIXER SHAFT GASKET
26	VIT0003211	WASHER 4,3X9X0,8
27	Z0110030026	PUMP IMPELLER
28	Z0110030025	PUMP BODY
30	Z0600016045	PUMP UPPER COVER
33	VIT0002461	SCREW HEAD TAP M4.2X26
34	Z0600016023	CONNECTOR
35/a	TSIL06/09T-10	SILICON HOSE 6X9 MT.10
35/b	TSIL06/09T-50	SILICON HOSE 6X9 MT.50
36	Z0010020032	BOILER BRACKET
37	VIT0002009	SCREW ST HEAD CAP M3.5X6.5
38	Z0600016028	T CONNECTOR
39/a	TSIL07/11T-10	SILICON HOSE 7X11 MT.10
39/b	TSIL07/11T-50	SILICON HOSE 7X11 MT.50

Thermofuse boiler		
40	Z0600016030	CONNECTOR
41/a	TSIL05/08T-10	SILICON HOSE 5X8 MT.10
41/b	TSIL05/08T-50	SILICON HOSE 5X8 MT.50
42	Z0600016002	LID BOILER CLIP
100	Z0600016172CLR	§ BOILER 1600W 230V
101	Z0600016181CLR	§ BOILER 1600W 120V
102	Z0600016131CL	BOILER 120V UL AR
103	Z0600019192CL	
104	Z0600016073KIT	BOILER COVER ADAPTOR KIT



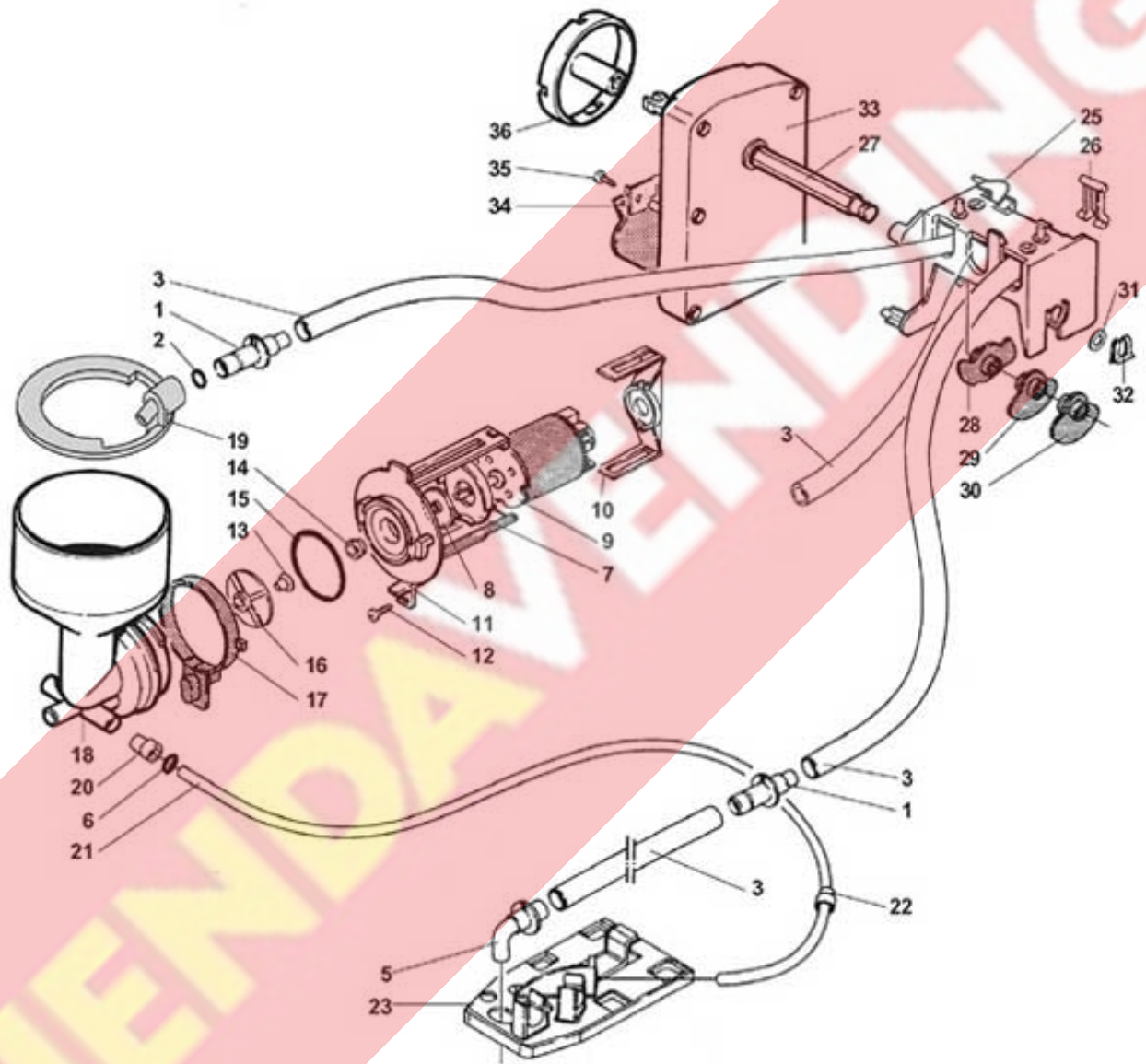
ESPRESSO BOILER		
Pos.	Code	Description
1	Z0600012514	PRESS. WATER TANK 150MM
2	Z0600012671	FLANGE
3/a	Z0600012701	FLANGE
3/b	Z0600012705	FLANGE For version UL
4	GUA0000047	OR 164 VITON 80 BLACK
5	Z0600012515	CONNECTOR
6	VIT0003206	WASHER 8,4X14X1,6
7	VIT0003402	SPRING WASHER 8,4
8	VIT0004506	NUT M8
9	4600020115	PLUG
10	Z0100001028	T CONNECTOR SO3700-1/8-6-6
11	Z0110002012R	§ SAFETY VALVE E:1/8M O:1/8F
13	Z0110002009	SAFETY VALVE 1/8F 1/8M
14/a	ELE0000969R	§ PROBE E + ACCESSORIES
14/b	ELE0000969R0	§ PROBE E MM25-L500
15/a	ELE0009001	CLIXON 120 °C
15/b	ELE0009027	CLIXON 115 °C For version UL
16/a	250020087	SPRING
16/b	Z0600012708	CLIXON SPRING For version UL
17	Z0110001087	VALVE BLOCK 2V 2W+1V 3W 24VDC
17/a	Z0110010145	COIL 6W 24V DC 70%
17/b	Z0110010123	VALVE 2W SLEEVE
17/c	Z0110010124	§ CORE
17/d	Z0110010065	COIL 8 W 24 DC
17/e	Z0110010035	VALVE 3W SLEEVE
17/f	Z0110010020	§ CORE
18	250020146	ELBOW 1/8
19/a	TSIL06/11T-10	SILICON HOSE 6X11 MT.10
19/b	TSIL06/11T-50	SILICON HOSE 6X11 MT.50
20	FASC000110	CLAMP
21	Z0110003056	STRAIGHT CONNECTOR
23	VIT0005510	SCREW HEX HEAD REC TAP M4X16
24	TTEF02/04T	PTFE PIPE 2X4
25	Z0100001001	TAP CONNECTOR SO20-4-1/8
26	Z0100002001	LOCKING RING SO1-4
27	Z0100003002	COPPER GASKET SO5-5-1/8
28	1600001098	RUBBER SPACER D. 4,5
29	VIT00000030	SCREW HEAD TAP CAP M4X7
30	Z0010020411	BOILER SUPPORT
31	ELE0001522	MICROSWITCH
32	ELE0001911	MICROSWITCH LEVER
33	4600010014	SPACER
34	VIT00000007	SCREW HEAD TAP CAP M3X20
35	VIT0004701	NUT M3
36/a	Z0110004002R	§ ESPRESSO PUMP For Coffee beans group D. 36
36/b	Z0110004027	PUMP"AP" 110/60
36/c	Z0110004041CL	§ PUMP EX5 230VAC+BY PASS 65 For Coffee beans group D. 40

ESPRESSO BOILER		
36/d	Z0110004024	PUMP EX7 120V-60HZ For Coffee beans group D. 40
37	2500001139	STRAIGHT CONNECTOR
38/a	Z0110004020	PUMP SUPPORT For Coffee beans group D. 36
38/b	Z0110004038	PUMP SUPPORT For Coffee beans group D. 40
39	VIT0003301	WASHER 4,3X12X1,5
40	VIT0004503	NUT M4
41	Z0100001056	ELBOW 804 6-1/8 OR VITON
42	Z0100003023	T CONNECTOR 462 TS UL
44	TTEF04/06T	PTFE PIPE 4X6
45	Z0100001002	CONNECTOR NUT
46	Z0100002005	NUT D.4
47	Z0100002002	LOCKING RING SO1-6
48	Z0100001065	CONNECTOR "Y"
51	Z0110003059	MICRO SWITCH SUPPORT
52	Z0110003057	SPACER OR
53	GUA0000069	OR 2015 VITON 80 BLACK
54	ELE0000915	PUMP THERMOPROTECTOR For Coffee beans group D. 40
101	Z0600012706R	§ PRESS. BOILER 120 V 150 MM
100	Z0600012710R	§ PRESS. BOILER 230 V 150 MM (from pos.1 to pos.14)



mixer		
Pos.	Code	Description
1	Z0080100005	MOTOR MIXER BASE
2	Z0080100015	MIXER BUSH
3	GUA0000084	OR 3131 RED SILICONE A60
4	Z0090003023	MIXER MOTOR 24V DC SHAFT D.4
5	Z0080100024	MIXER FAN
6	Z0080100023IC	MIXER COVER RAL2011
7	Z0080100009IC	MIXER MOTOR SUPPORT RAL2011
8	Z0080100102	MIXER SHAFT GASKET
9	Z0080100011	MIXER FAN
10/a	Z0080200101LR	§ MIX BOWL L.W/H20 B+LOCK RING
10/b	Z0080200102R	MIXING BOWL R.W/H20 BREAKER
10/c	Z0080200103C	MIXING BOWL F.W/H20 BREAKER
11	Z0080100006IC	LOCK RING RAL2011
12	Z0080100018	MIXER PLUG
13	Z0080100008	UPPER RING
14	Z0080100013	MIXER CONNECTOR
15	GUA0000085	OR 106 RED SILICONE A70
16	VIT0002401	SCREW ST HEAD CAP M3.5X9.5
17/a	TSIL06/11T-10	SILICON HOSE 6X11 MT.10
17/b	TSIL06/11T-50	SILICON HOSE 6X11 MT.50
18	Z0010020052	PRODUCT NOZZLE
19/a	Z0010020409	NOZZLE HOLDER
19/b	Z0010020051	NOZZLE HOLDER
100	Z0080100001R	§ MIXER BOWL BASE+MOTOR
101	Z0080100018CL	§ MIXER BOWL BASE+PLUG

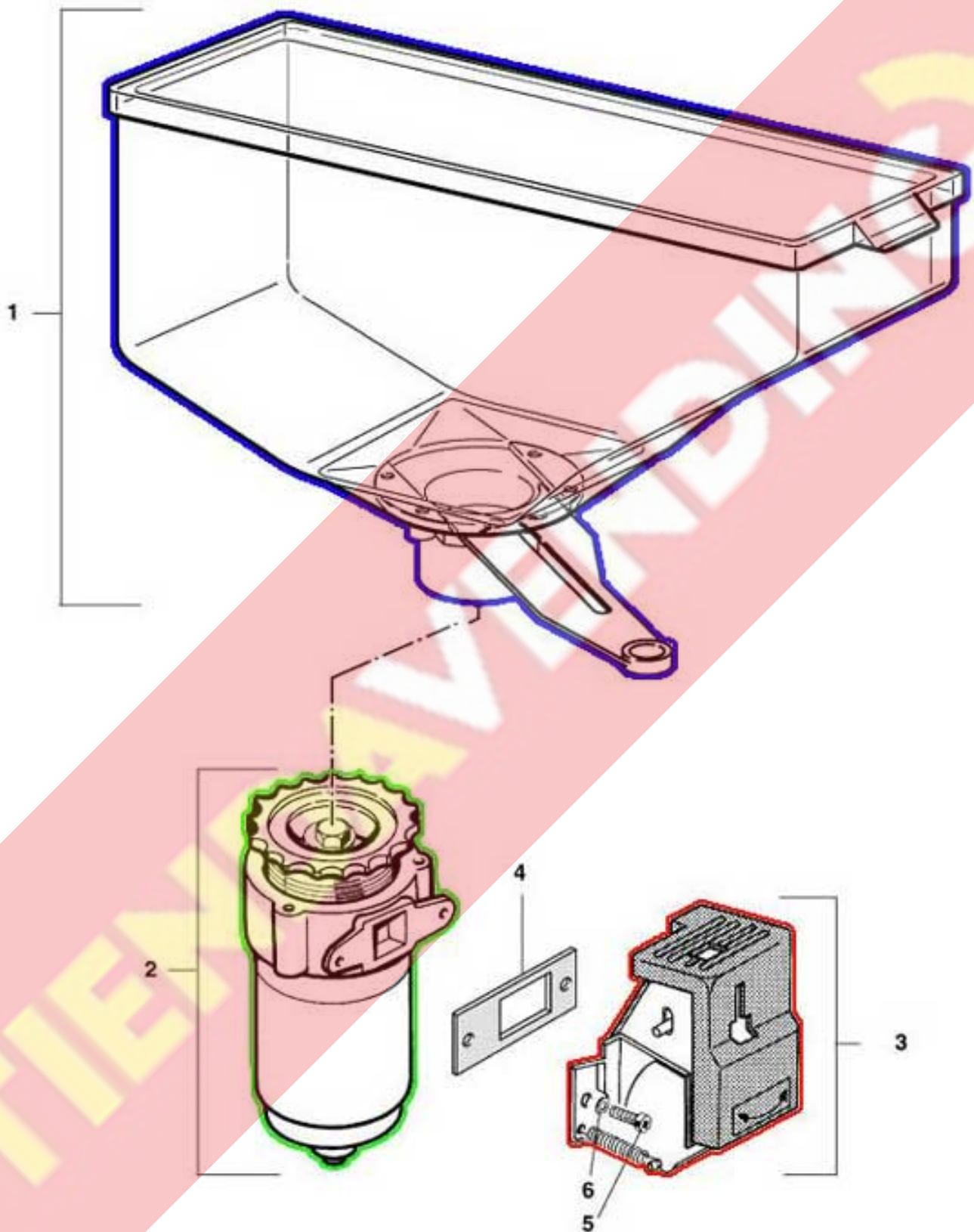
cams mixer and dispenser



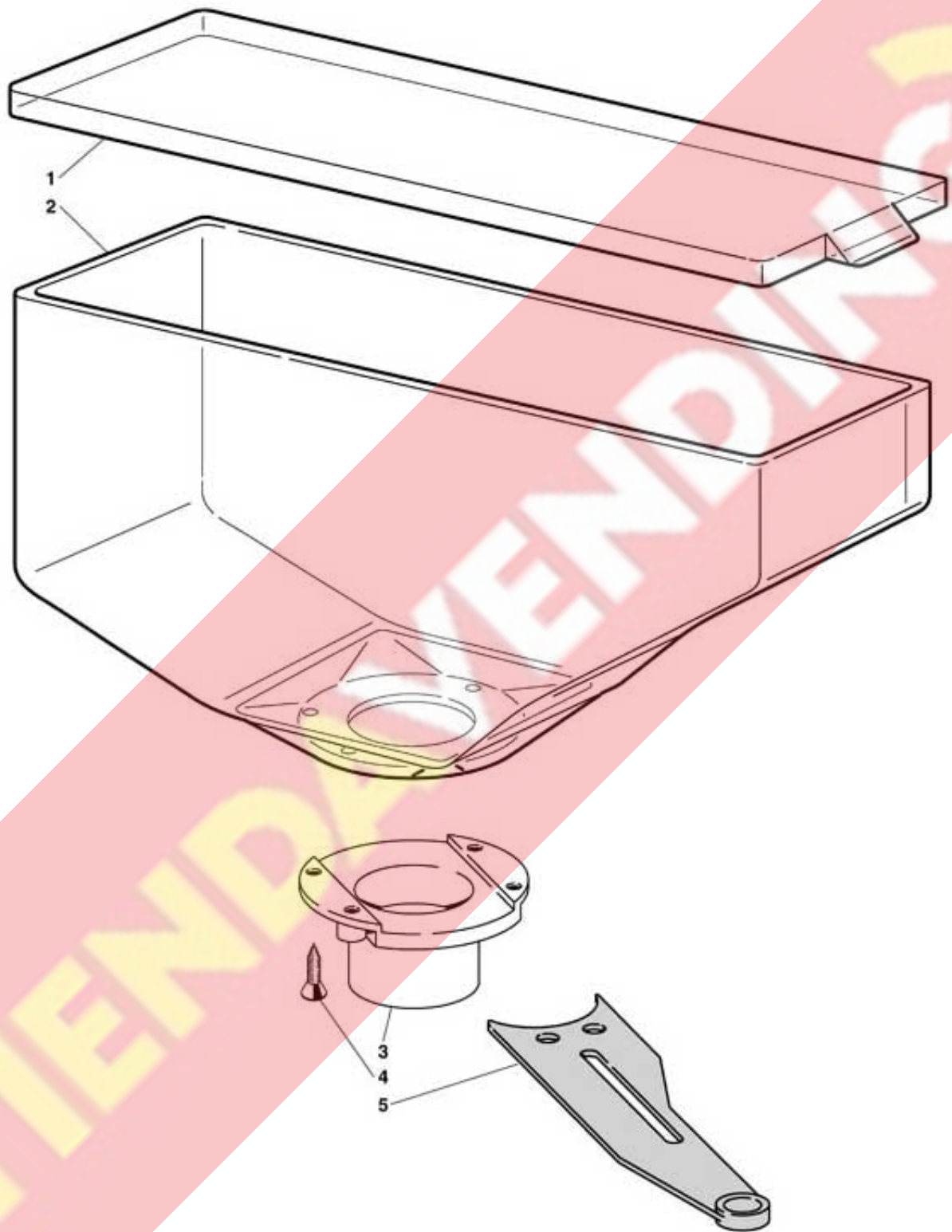
cams mixer and dispenser		
Pos.	Code	Description
1/a	Z0080100013	MIXER CONNECTOR Up to serial 02019999
1/b	Z0080100043	MIXER CONNECTOR BLACK from serial 02020001
2	GUA0000085	OR 106 RED SILICONE A70
3/a	TSIL06/09TC-10	SILICON HOSE 5,6X8,8 MT.10
3/b	TSIL06/09TC-50	SILICON HOSE 5,6X8,8 MT.50
5/a	Z0010020052	PRODUCT NOZZLE
5/b	Z0010020058	COFFEE OUTLET PIPE
6	GUA0000087	OR 2025 RED SILICONE A70
7	Z0080100023IC	MIXER COVER RAL2011
8	Z0080100024	MIXER FAN
9	Z0090003023	MIXER MOTOR 24V DC SHAFT D.4
10	Z0080100009IC	MIXER MOTOR SUPPORT RAL2011
11	Z0080100005	MOTOR MIXER BASE
12	VIT0002401	SCREW ST HEAD CAP M3.5X9.5
13	Z0080100102	MIXER SHAFT GASKET
14/a	Z0080100015	MIXER BUSH
14/b	Z0080100018	MIXER PLUG
15	GUA0000084	OR 3131 RED SILICONE A60
16	Z0080100011	MIXER FAN
17	Z0080100006IC	LOCK RING RAL2011
18/a_1	Z0080200101L	MIXING BOWL L.W/H20 BREAKER Up to serial 0201999
18/a_2	Z0080200102R	MIXING BOWL R.W/H20 BREAKER Up to serial 0201999
18/a_3	Z0080200103C	MIXING BOWL F.W/H20 BREAKER Up to serial 0201999
18/b_1	Z0080200110L	MIXING BOWL L.W/H20 BREAKER from serial 0202001
18/b_2	Z0080200111R	MIXING BOWL R.W/H20 BREAKER from serial 0202001
18/b_3	Z0080200112C	MIXING BOWL F.W/H20 BREAKER from serial 0202001
19/a	Z0080100008	UPPER RING Up to serial 0201999
19/b	Z0080100042	MIXER RING W/PIPE X4,25 BLACK from serial 0202001
20/a	Z0080100096	COFFEE OUTLET REDUCTION D.2
20/b	Z0080100019	TUBE REDUCER 4.0
21	TTEF04/06T	PTFE PIPE 4X6
22	Z0100002015	LOCKING RING SO1-6
23/a	Z0010020051	NOZZLE HOLDER
23/b	Z0010020057	NOZZLE HOLDER
23/c	Z0010020267	NOZZLE HOLDER
25	Z0110030005	CAM SUPPORT
26	Z0110030013	LEVER
27	Z0110030006	CAM SHAFT
28	Z0110030008	CAM 2
29	Z0110030009	CAM 3
30	Z0110030007	CAM 1
31	VIT0003010	SPACER WASHER 8X14X0,5
32	VIT0009162	CLIP
33	Z0090002109	GEAR MOTOR 24 RPM 24V DC
34	SCH0003700	TUBES SENSOR
35	VIT0002452	SCREW HEAD TAP M3.5X12
36	Z0110030015	DISK

cams mixer and dispenser		
100	Z0110030001R	§ CAM DISPENSER
101	Z0080100001R	§ MIXER BOWL BASE+MOTOR
102	Z0080100005R	KIT UPDATE MIXERS MOTORS
103	Z0010020056R	§ COFFEE OUTLET PIPE
104	Z0010020058KIT	§ ESPRESSO NOZZLE
105	Z0080100018CL	§ MIXER BOWL BASE+PLUG

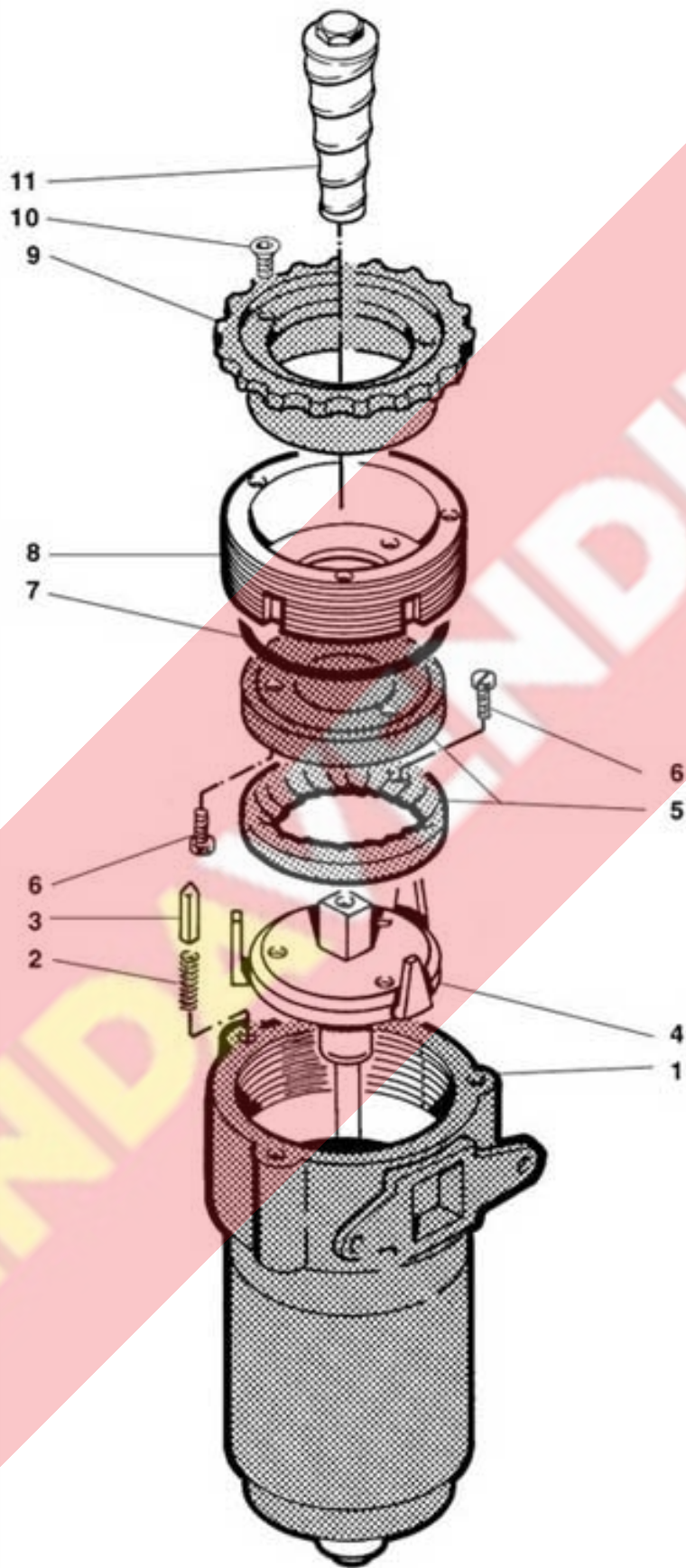
TIENDA VENDING



container batcher grinder group		
Pos.	Code	Description
1		See table coffee beans container group
2		See table vertical mill group
3		See table PL batcher group with setting
4	Z0320004141	PLATE
5	VIT0000013	SCREW HEAD TAP CAP M4X12
6	VIT0003103	SPRING WASHER 4,3

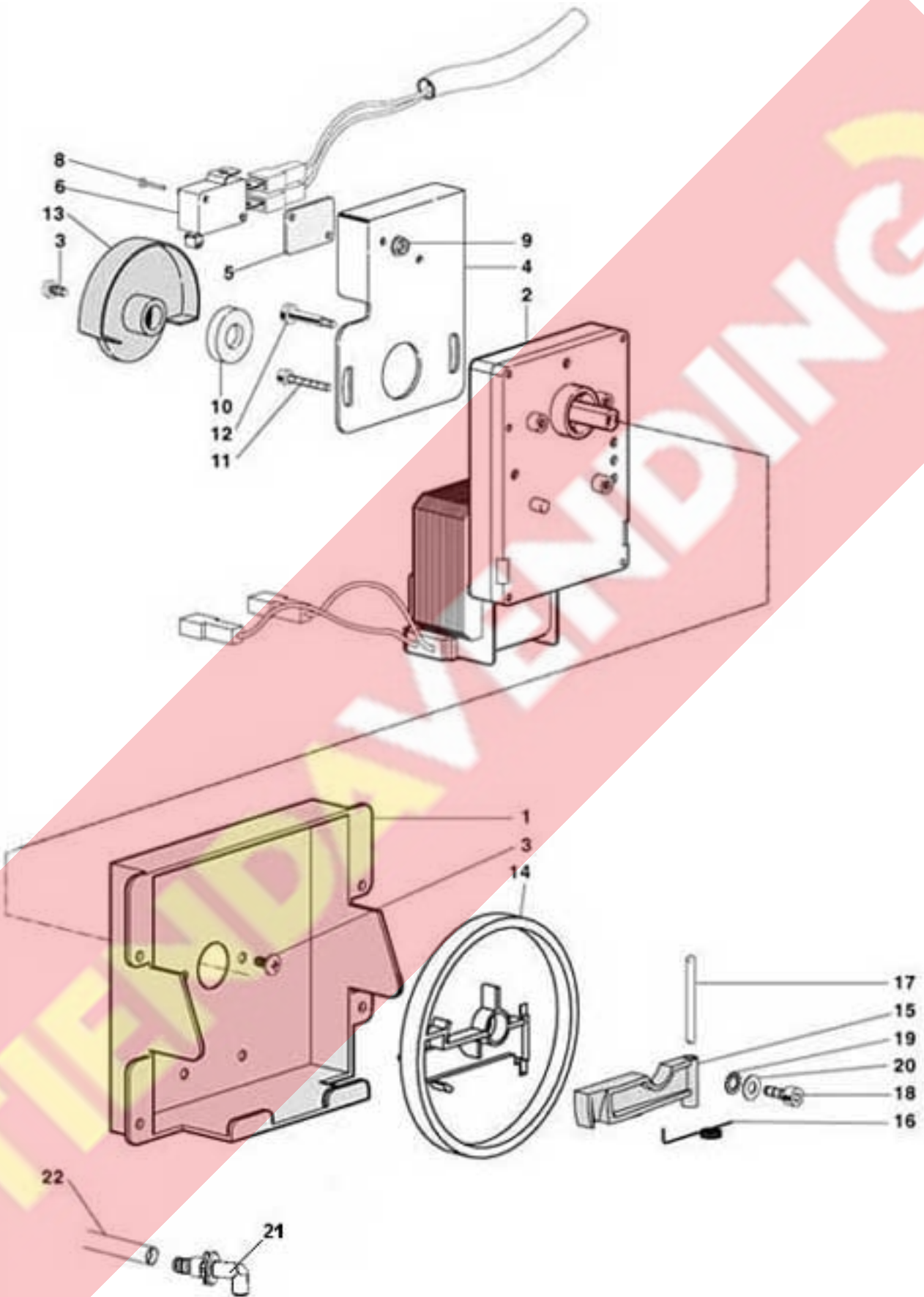


coffee beans container group		
Pos.	Code	Description
1	Z0230015159	COFFEE BEANS HOPPER LID
2	Z0230015158	COFFEE BEANS HOPPER
3	Z0230015066NA	COFFEE BEANS HOPPER STOPPER
4	VIT0002104	SCREW COUNT FLAT HEAD M3.9X16
5	Z0230015207IC	COFFEE BEANS HOPPER STOPPER
100	Z0230015158R	§ COFFEE BEANS HOPPER

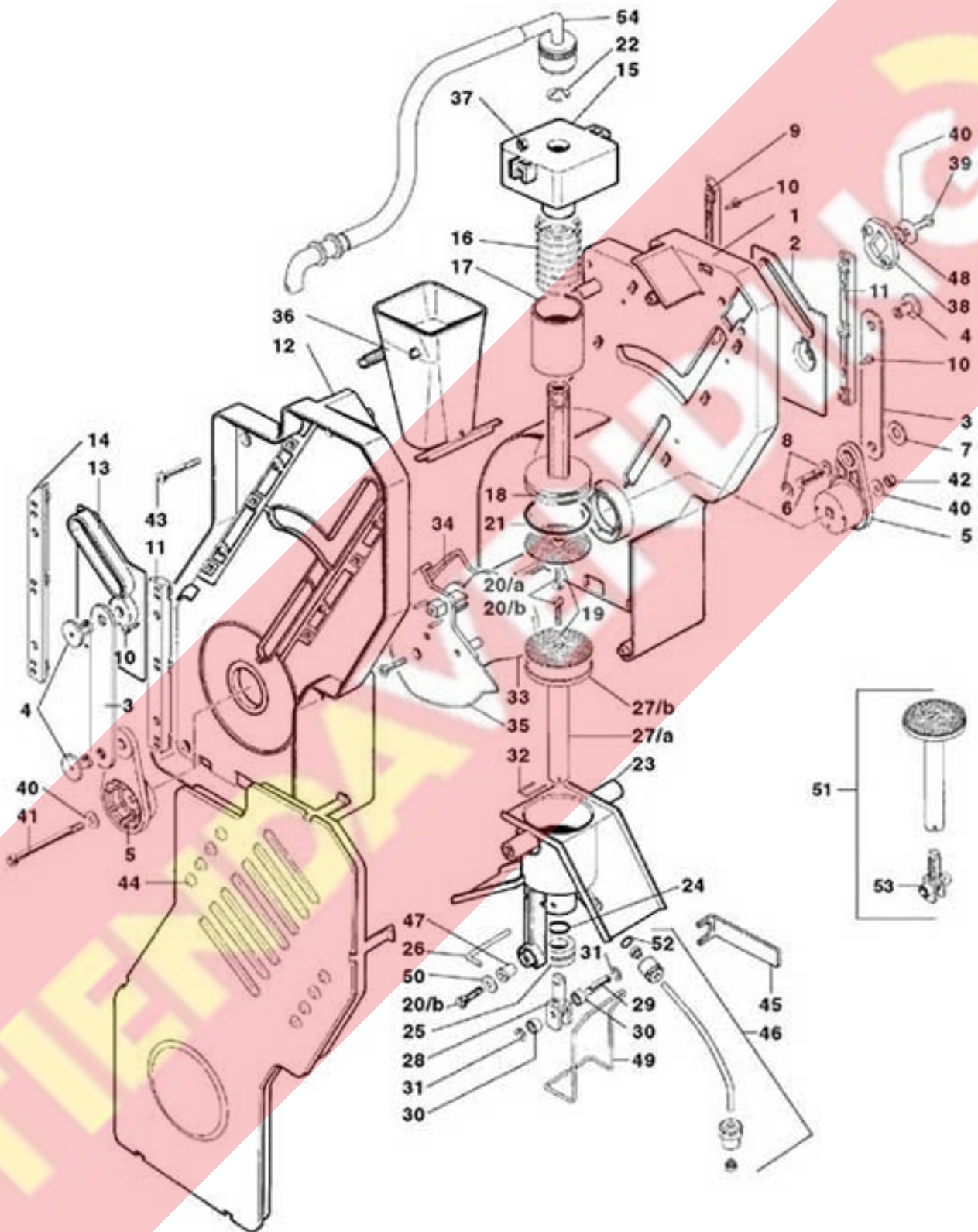


vertical mill group		
Pos.	Code	Description
1	Z0320004153CL	§ GRINDER
2	270001023	SPRING
3	Z0320002011	PIN
4	Z0320004107	LOWER GRINDER SUPPORT
5	Z0320004160	GRINDER RING D.54
6	VIT0000024	SCREW HEAD FLAP CAP M4X8
7	GUA0000060	OR 3225 NBR AL 75 BLACK
8	Z0320004109	UPPER GRINDER SUPPORT
9	Z0320004112GD	GRINDER SUPPORT RING NUT
10	VIT0000102	SCREW COUNT FLAT HEAD M3X10
11	Z0320004116	WORM SCREW
100	Z0320004153CL	§ GRINDER

PL batcher group with setting		
Pos.	Code	Description
1	ELE0000056R	ELECTROMAGNET 24V DC
2	Z0350003136NA	ELECTROMAGNET SUPPORT
3	VIT0000028	M 3*14 TCB SCREW
4	VIT0000005	SCREW HEAD TAP CAP M3X12
5	Z0350003114	PIN
6	VIT0009161	D.3.2 x 8 x 0.4 SPRING
7	VIT0004814	NUT M3
8	Z0350003112R	MICROSWITCH 7GR
8/a	ELE0001522	MICROSWITCH
8/b	Z0350003121	MICRO LEVER
9	Z0350003312R	MICROSWITCH 9GR
9/a	ELE0001522	MICROSWITCH
9/b	Z0350003121	MICRO LEVER
10	Z0350003112	PIN
11	VIT0007101	BENZING CLIP
12	VIT0000009	SCREW HEAD TAP CAP M3X30
13	VIT0004502	NUT M3
14	Z0350003113NA	REGULATION WHEEL
15	Z0350003122	LOCKNUT
16	7500102053	SPACER
17	Z0350003115	SPRING
18	VIT0004813	NUT M3
19	VIT0002011	SCREW ST HEAD CAP M2.9X9.5
20	Z0350003105NA	BATCHER BODY BLACK
21	Z0350003314NA	MICROSWITCH CONTROL LEVER from serial 05010001
22	Z0350003301NA	GROUNDS CHUTE BLACK
23	Z0350003302	AGITATOR
24	Z0350003126NA	ELECTROMAGNET ROD
25	VIT0005105	PIN 2X10
26	Z0350003111NA	PIN BLACK
27	VIT0002001	SCREW ST HEAD CAP M2.9X6.5
28	Z0350003129	SPRING
29		
30	VIT0003102	SPRING WASHER 3,2
31	Z0350003124	BATCHER SPRING
32	Z0350003128NA	BATCHER COVER
33	VIT0002469	SCREW HEAD TAP M3.5X10
100	Z0350003110CL	§ BATCHER 24V DC
101	Z0350003310CL	§ BATCHER 24V DC

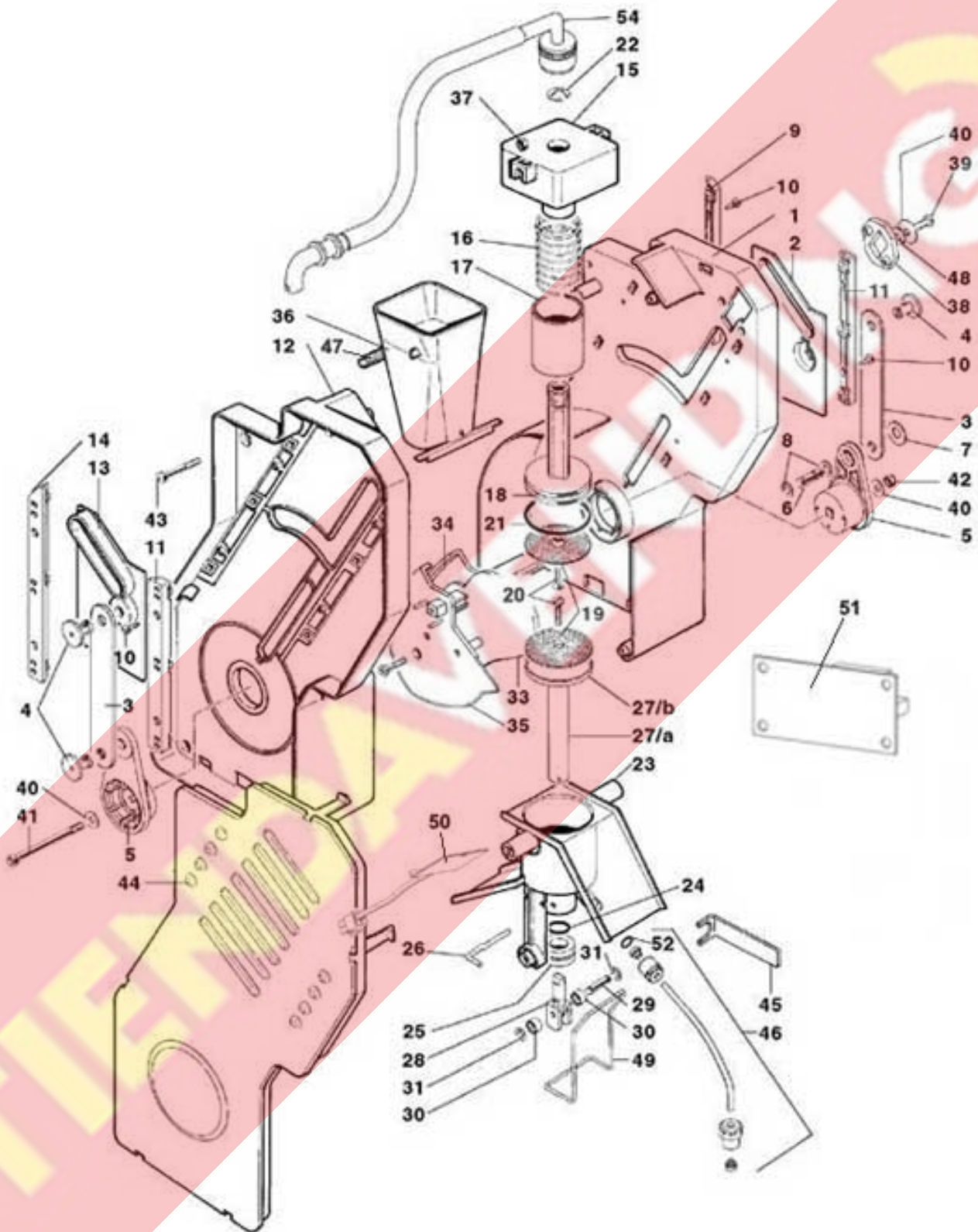


micro coffee group motor support		
Pos.	Code	Description
1	Z0260010102CK-06	MICRO GROUP MOTOR SUPPORT 7037
2/a	Z0090002186	GEAR MOTOR 8.5 RPM 220/50
2/b	Z0090002189	GEAR MOTOR 8.5 RPM 115/60 For version UL
3	VIT0000030	SCREW HEAD TAP CAP M4X7
4	Z0250008093	MICRO PLATE
5	4600010014	SPACER
6	ELE0001529	MICROSWITCH WITH LEVER
8	VIT0000007	SCREW HEAD TAP CAP M3X20
9	VIT0004701	NUT M3
10	Z0250008091	SPACER
11	Z0250008092	M4 SPECIAL SCREW
12	VIT0005511	SCREW HEX HEAD REC TAP M4X10
13	Z0250008043	MICRO GROUP READER DISK
14	Z0250008012	MOTOR CRANK
15	Z0250008034	HOOKING LEVER
16	Z0250008059	SPRING
17	VIT0005205	DOWEL PIN 4X40
18	VIT0005508	SCREW HEX HEAD REC TAP M4X12
19	VIT0003103	SPRING WASHER 4,3
20	VIT0003003	WASHER 4,3X8X0,8
21	Z0080100084	90° CONNECTOR
22	TSIL07/11T	SILICON HOSE 7X11
100	Z0260010110R	MOTOR SUPPORT
101	Z0260010192CL	§ MOTOR SUPPORT 120V



micro coffee group		
Pos.	Code	Description
1	Z0250008005R	§ MICRO BREWER COVERS-L.H+R.H
2	Z0250008084	INFUSION CHAMBER CAM-RIGHT
3	Z0250008009	CONNECTING ROD
4	Z0250008028	CONNECTING ROD PIN
5	Z0250008011	RIGHT CRANK
6	Z0250008014	PIN
7	Z0250008042	ANTIVIBRATION WASHER
8	VIT0006515	RING 5
9	Z0250008031	REAR RIGHT GUIDE
10	VIT0002026	SCREW ST HEAD CAP M3.5X6.5
11	Z0250008033	FRONTAL GUIDE
12	Z0250008005R	§ MICRO BREWER COVERS-L.H+R.H
13	Z0250008085	INFUSION CHAMBER CAM-LEFT
14	Z0250008032	REAR LEFT GUIDE
15	Z0250008086	UPPER FILTER SUPPORT
16	Z0250008024	UPPER FILTER SPRING
17	Z0250008087	SPRING COVER PIPE
18/a	Z0250008026R	§ UPPER COFFEE FILTER D 36 For Coffee beans group D. 36 (Pos.18/a+19/a+21/a+20)
18/b	Z0250008208R	§ UPPER COFFEE FILTER D.40 For Coffee beans group D. 40 --- (Pos. 18/b+19/b+21/b+20)
19/a	Z0250008099	COFFEE FILTER For Coffee beans group D. 36
19/b	Z0250008211	COFFEE FILTER D 37.3 For Coffee beans group D. 40
20	VIT0000121	SCREW COUNT FLAT HEAD M3X8
21/a	GUA0000080	OR 4112 RED SILICONE LSR70 For Coffee beans group D. 36
21/b	GUA0000097	OR 4131 RED SILICONE LSR70 For Coffee beans group D. 40
22	VIT0006513	RING 8
23/a	Z0250008046R	§ BREWER INFUSION CHAMBER For Coffee beans group D. 36
23/b	Z0250008206R	§ LOWER COFFEE FILTER D.40 For Coffee beans group D. 40
24	GUA0000065	OR 112 SILICON
25	Z0250008053	LOWER INLET CUP BUSH
26	Z0250008029	FUNNEL PIN
27/a	Z0250008108	LOWER FILTER SHAFT
27/b	Z0250008122	COFFEE FILTER LOW 36 For Coffee beans group D. 36
27/c	Z0250008209IC	LOWER COFFEE FILTER D.40 For Coffee beans group D. 40
28	Z0250008106	BEARING SUPPORT
29	Z0250008021	BEARING SHAFT
30	Z0250008022	BEARING
31	VIT0006517	RING 3.2
33	Z0250008083	CAM
34	Z0250008016	CAM RIGHT
35	Z0250008017	CAM LEFT
36	Z0250008036	COFFEE FUNNEL
37	VIT0004803	NUT M4
38	Z0250008035	SETTING PLATE
39	VIT0000032	SCREW HEAD TAP CAP M4X8
40	VIT0003309	WASHER4,3X16X1,5
41	VIT0005523	SCREW HEX HEAD REC TAP M4X60
42	VIT0004810	NUT M4

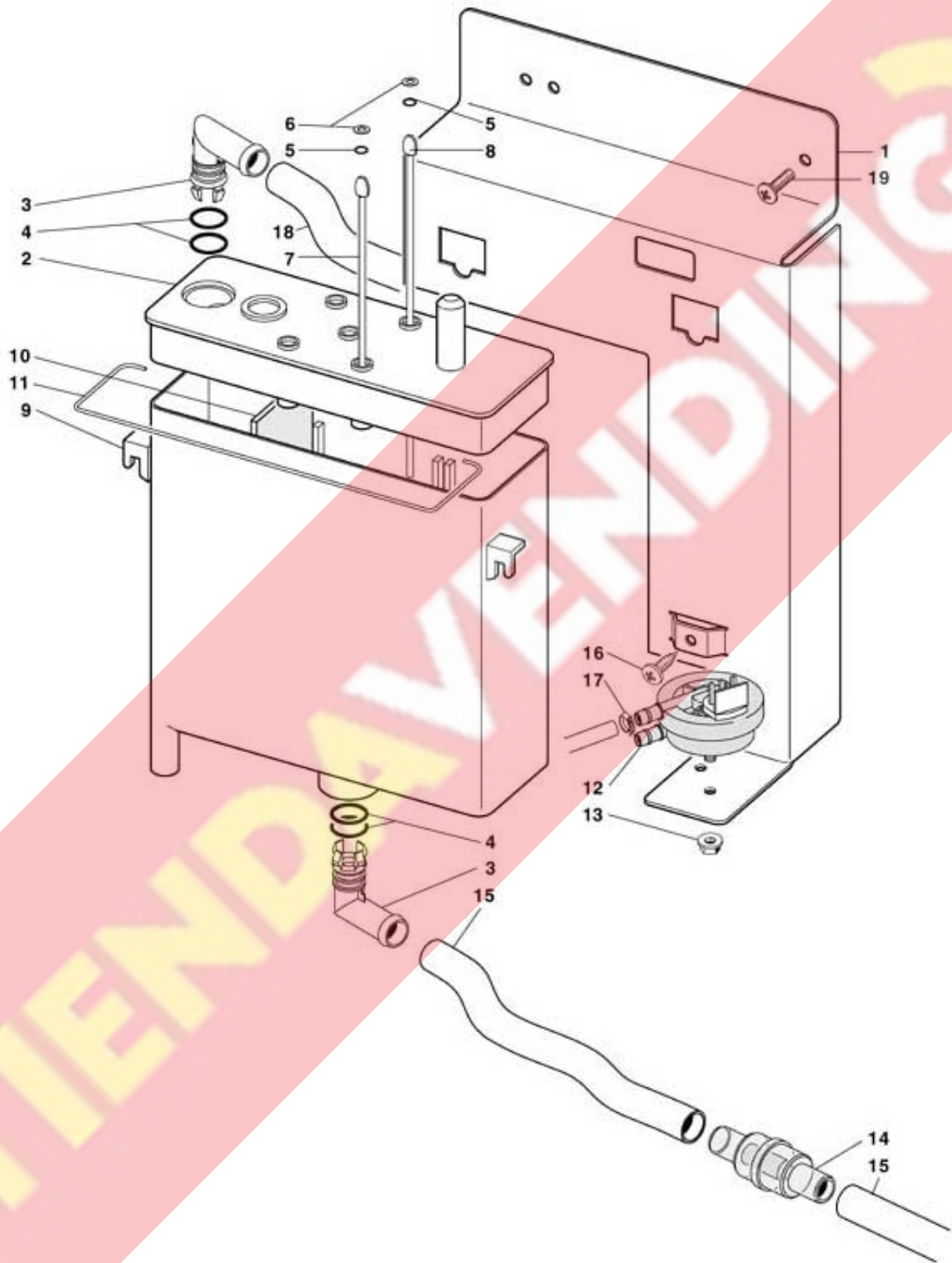
micro coffee group		
43	VIT0002461	SCREW HEAD TAP M4.2X26
44	Z0250008039CM	MICRO BREWER COVER-L.H RAL9006
44	Z0250008039IC	MICRO BREWER COVER-L.H RAL2011
45	Z0250008048	KEY FOR NUT
46	Z0250008110CL	§ WATER INLET PIPE
47	VIT0009203	INSERT
48	VIT0003451	SPRING WASHER 4,2
50	Z0250008088	WASHER
51	Z0250008109R	§ LOW.COFFEE FILTER D.36+BEAR.
52	GUA0000061	OR 2010 VITON 80 BLACK
53	Z0250008107R	BEARING SUPPORT
54	Z0250008070CL	§ COFFEE OUTLET PIPE
100	Z0250008001R	COFFEE BREWER MICRO D.36 For Coffee beans group D. 36
101	Z0250008201R	COFFEE BREWER MICRO D.40 For Coffee beans group D. 40
104	Z0250008108R	§ LOWER COFFEE FILTER D.36
105	Z0250008209R	§ LOWER COFFEE FILTER D.40
106	Z0250008210R	§ LOW.COFFEE FILTER D.40+BEAR.



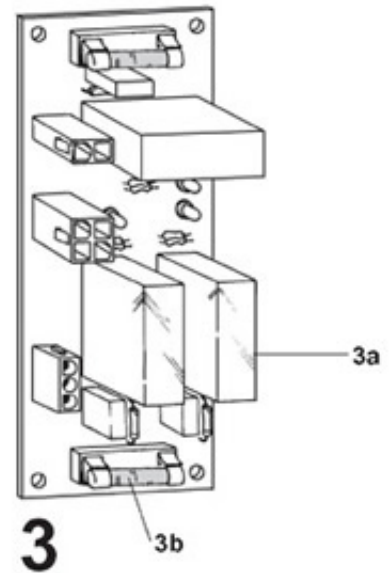
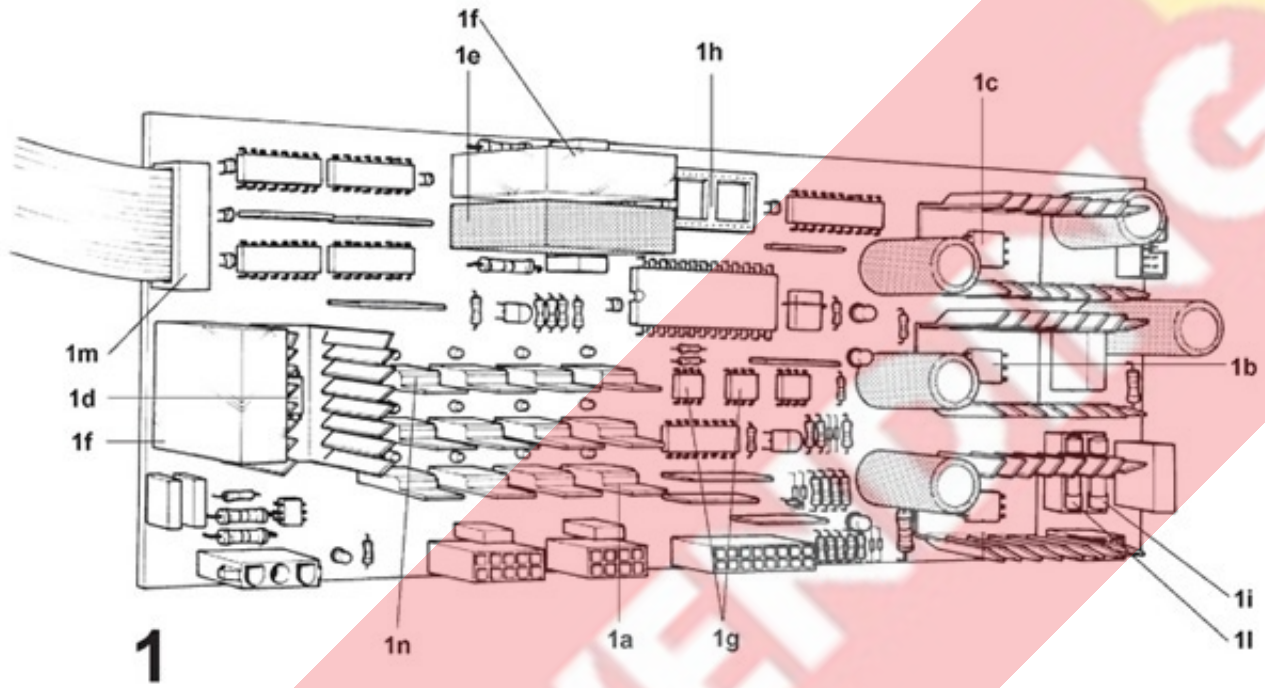
heated micro coffee group		
Pos.	Code	Description
1	Z0250008005R	§ MICRO BREWER COVERS-L.H+R.H
2	Z0250008084	INFUSION CHAMBER CAM-RIGHT
3	Z0250008009	CONNECTING ROD
4	Z0250008028	CONNECTING ROD PIN
5	Z0250008011	RIGHT CRANK
6	Z0250008014	PIN
7	Z0250008042	ANTIVIBRATION WASHER
8	VIT0006515	RING 5
9	Z0250008031	REAR RIGHT GUIDE
10	VIT0002026	SCREW ST HEAD CAP M3.5X6.5
11	Z0250008033	FRONTAL GUIDE
12	Z0250008005R	§ MICRO BREWER COVERS-L.H+R.H
13	Z0250008085	INFUSION CHAMBER CAM-LEFT
14	Z0250008032	REAR LEFT GUIDE
15	Z0250008086	UPPER FILTER SUPPORT
16	Z0250008024	UPPER FILTER SPRING
17	Z0250008087	SPRING COVER PIPE
18	Z0250008226R	§ UPPER COFFEE FILTER D.36 For Coffee beans group D. 36 (From pos.18 to pos.21)
19	Z0250008019	COFFEE FILTER
20	VIT0000121	SCREW COUNT FLAT HEAD M3X8
21	GUA0000080	OR 4112 RED SILICONE LSR70
22	VIT0006513	RING 8
23	Z0250008215R1	BREWER CHAMBER
24	GUA0000065	OR 112 SILICON
25	Z0250008053	LOWER INLET CUP BUSH
26	Z0250008029	FUNNEL PIN
27/a	Z0250008108	LOWER FILTER SHAFT
27/b	Z0250008122	COFFEE FILTER LOW 36
28	Z0250008226	BEARING SUPPORT
29	Z0250008021	BEARING SHAFT
30	Z0250008022	BEARING
31	VIT0006517	RING 3.2
33	Z0250008083	CAM
34	Z0250008016	CAM RIGHT
35	Z0250008017	CAM LEFT
36	Z0250008036	COFFEE FUNNEL
37	VIT0004803	NUT M4
38	Z0250008035	SETTING PLATE
39	VIT0000032	SCREW HEAD TAP CAP M4X8
40	VIT0003309	WASHER4,3X16X1,5
41	VIT0005523	SCREW HEX HEAD REC TAP M4X60
42	VIT0004810	NUT M4
43	VIT0002461	SCREW HEAD TAP M4.2X26
44	Z0250008039CM	MICRO BREWER COVER-L.H RAL9006
44	Z0250008039IC	MICRO BREWER COVER-L.H RAL2011
45	Z0250008048	KEY FOR NUT
46	Z0250008110CL	§ WATER INLET PIPE

heated micro coffee group		
47	Z0250008119	SPRING
48	VIT0003451	SPRING WASHER 4,2
50	Z0250008213R	§ HEATING ELEMENT
51	SCH0006880	HEATING ELEMENT BOARD
52	GUA0000061	OR 2010 VITON 80 BLACK
54	Z0250008070CL	§ COFFEE OUTLET PIPE
100	Z0250008220R	COFFEE BREWER MICRO D.36
101	Z0250008227R	§ BERING SUPPORT (Pos. 28-29-30-31)
102	Z0250008228R	§ LOW.COFFEE FILTER D.36+BEAR.

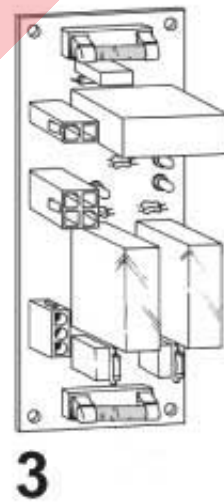
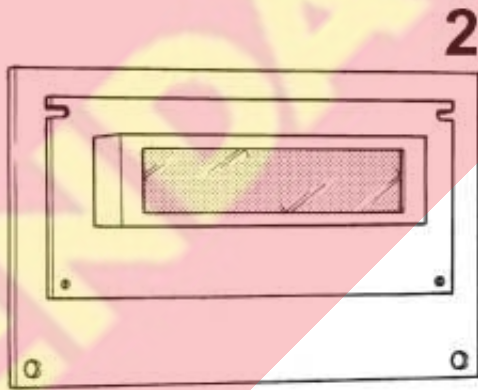
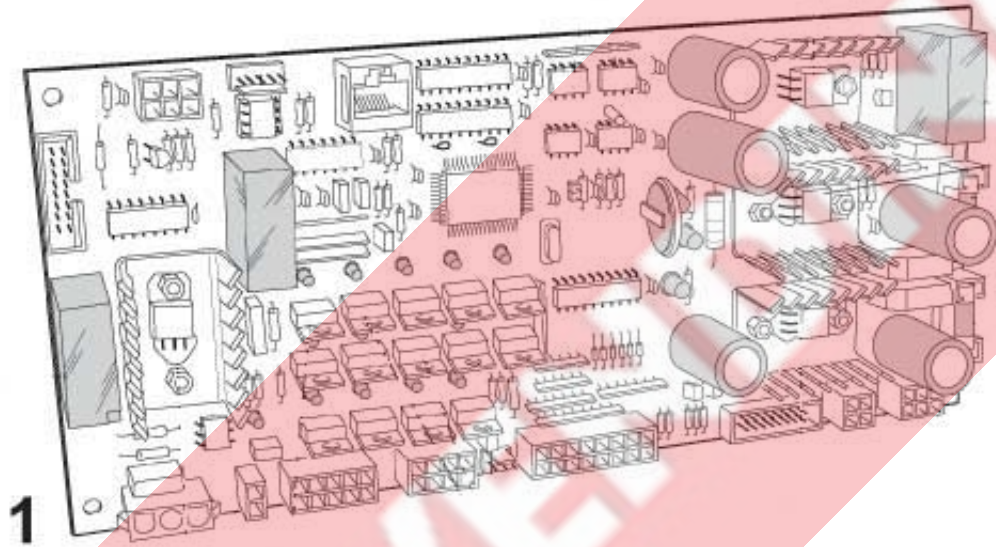
water inlet panel



water inlet panel		
Pos.	Code	Description
1	Z0010020119	AIR BREAK SUPPORT
2	Z0800008053	SOLUBLE TANK COVER
3	Z0800009211	ELBOW CONNECTOR
4	GUA0000043	OR 109 NBR AL 75 BLACK
5	GUA0000061	OR 2010 VITON 80 BLACK
6	VIT0003212	WASHER 3,2X7X0,5
7	800003022	H2O PROBE 70 MM
8	800003018	H2O PROBE 155 MM
9	Z0800009201R	§ AIR BREAK
10	800000010	AIR BREAK SPLITTER
11	800000035	FIXING COVER RING
12	Z0110007003	VOLUMETRIC COUNTER
13	VIT0004701	NUT M3
14	Z0109002002	H2O FILTER
15	TSIL06/11T	SILICON HOSE 6X11
16	VIT0002005	SCREW ST HEAD CAP M3.9X9.5
17	FASC000210	CLAMP L.10 CM
18	TSIL07/11T	SILICON HOSE 7X11
19	VIT0000012	SCREW HEAD TAP CAP M4X10



control and power logic with eprom		
Pos.	Code	Description
1		COMPONENT NO MORE SOLD
1/a		COMPONENT NO MORE SOLD
1/b		COMPONENT NO MORE SOLD
1/c		COMPONENT NO MORE SOLD
1/d		COMPONENT NO MORE SOLD
1/e		COMPONENT NO MORE SOLD
1/f		COMPONENT NO MORE SOLD
1/g		COMPONENT NO MORE SOLD
1/h		COMPONENT NO MORE SOLD
1/i		COMPONENT NO MORE SOLD
1/l		COMPONENT NO MORE SOLD
1/m		COMPONENT NO MORE SOLD
1/n		COMPONENT NO MORE SOLD
2	SCH0005380	DISPLAY BOARD
3	SCH0003240	ADAPTER BOARD
3/a		COMPONENT NO MORE SOLD
3/b		COMPONENT NO MORE SOLD



new electronic control and power logic		
Pos.	Code	Description
1/a	SCH0007260R	§CPU/POWER BOARD
1/b	SCH0006121	CPU/POWER BOARD For version UL
2	SCH0005380	DISPLAY BOARD
3/a	SCH0003240	ADAPTER BOARD Only for Espresso versions
3/b	SCH0005420	ADAPTER BOARD For version UL