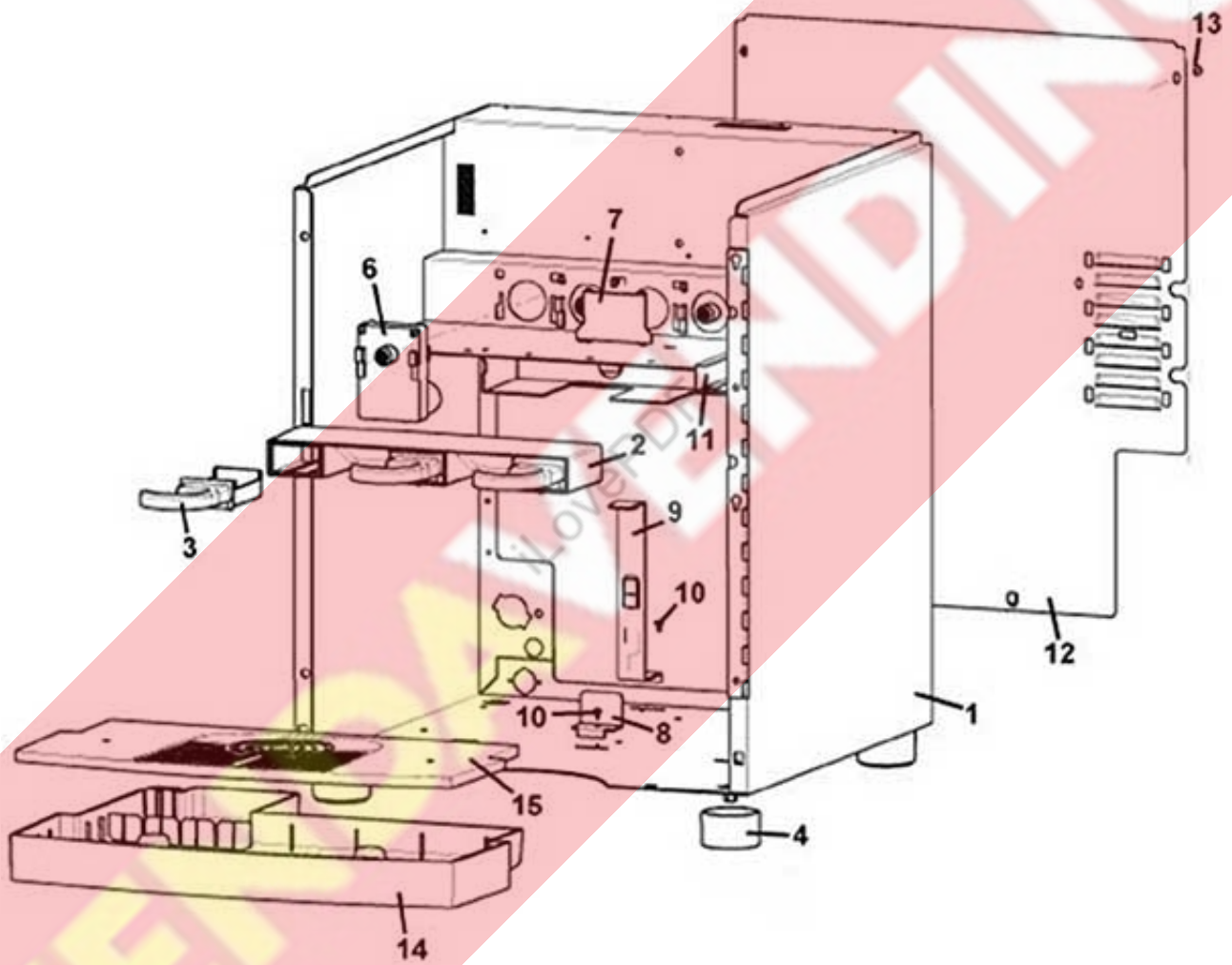


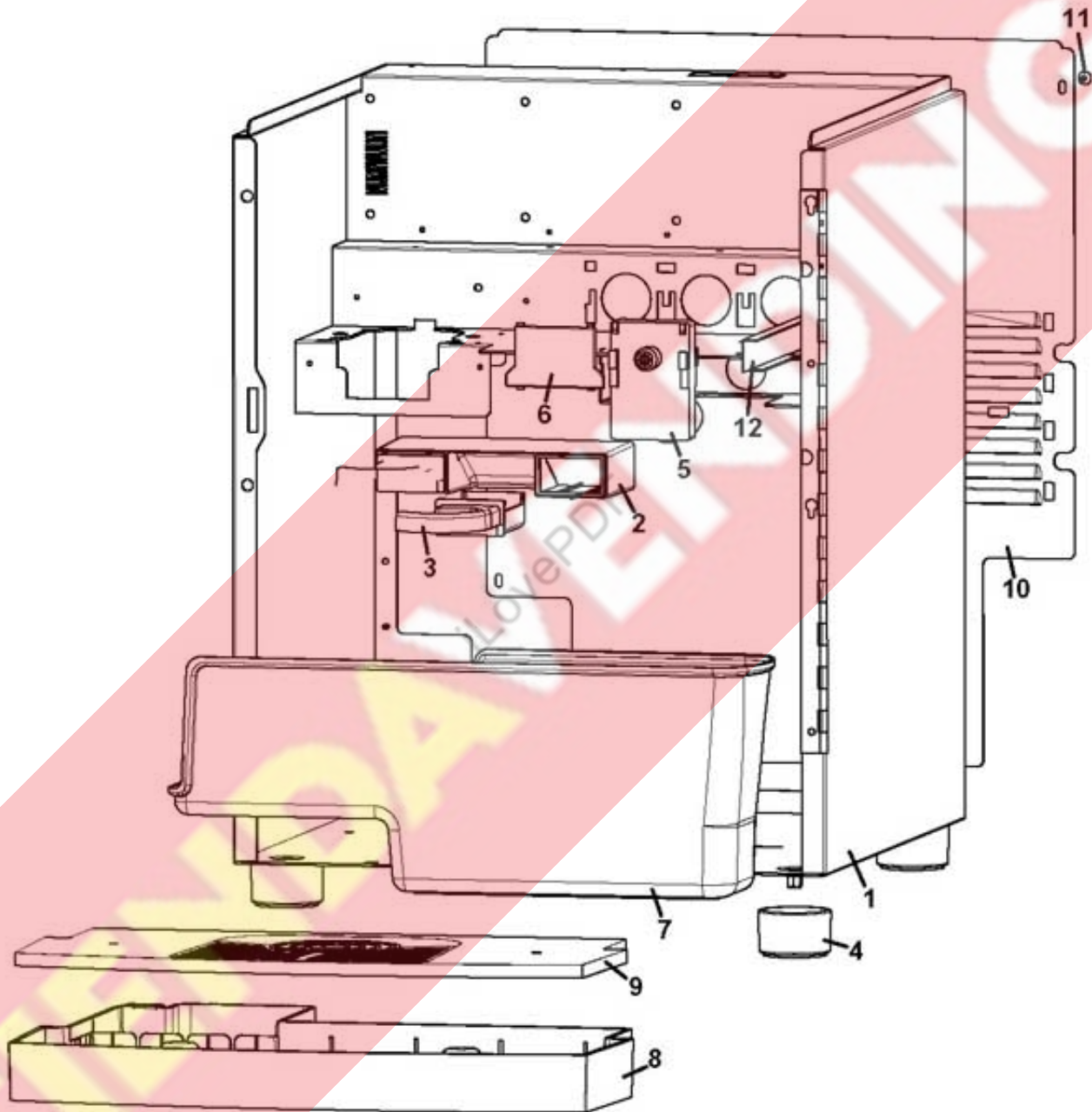
vending machine



spare parts manual

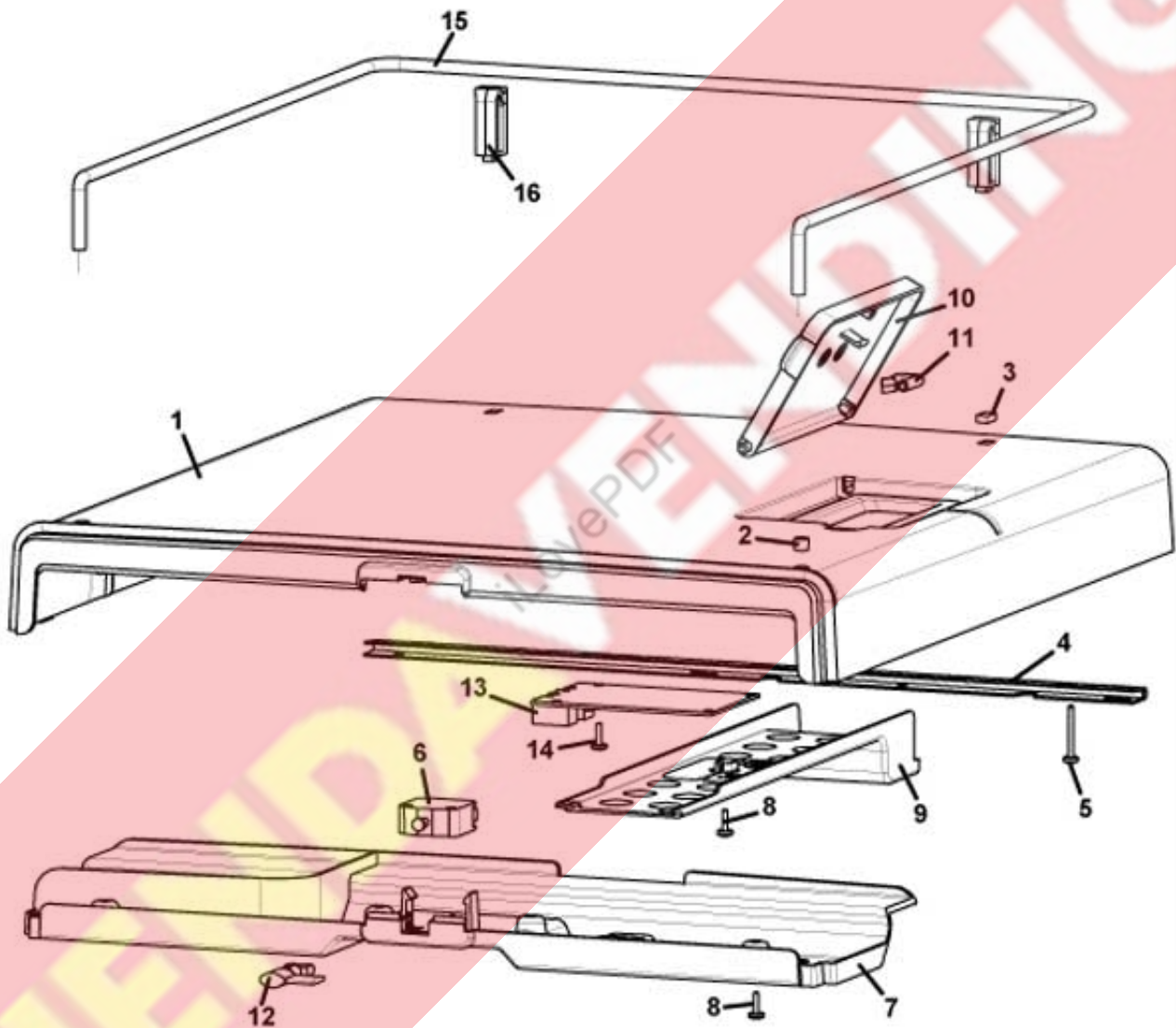


cabinet		
Pos.	Code	Description
1	Z001A122110NAR	BLACK CABINET + PACKAGE
2	Z0010027036	TRAP DRAWER
3	Z0010027022	TRAP DRAWER REMOVABLE
4	Z0010024111CL1	§ MACHINE FOOT D.50X29 RAL9005
6	Z0090002113	MOTOR 24 DC 97 RPM
7	Z0010020029NA	GEARBOX MOTOR PLUG BLACK
8	Z0010020719	BOILER PLATE
9	Z0600014117	BOILER BRACKET
10	VIT0002009	SCREW ST HEAD CAP M3.5X6.5
11	Z0010027217	WIRING SUPPORT (BLACK)
12	Z0010024028NA	REAR PANEL RAL 9005
13	VIT0002401	SCREW ST HEAD CAP M3.5X9.5
14	Z0020039036CL	§ DRIP TRAY+SPRING BLACK
15	Z0020039035NA	DRIP TRAY GRID BLACK



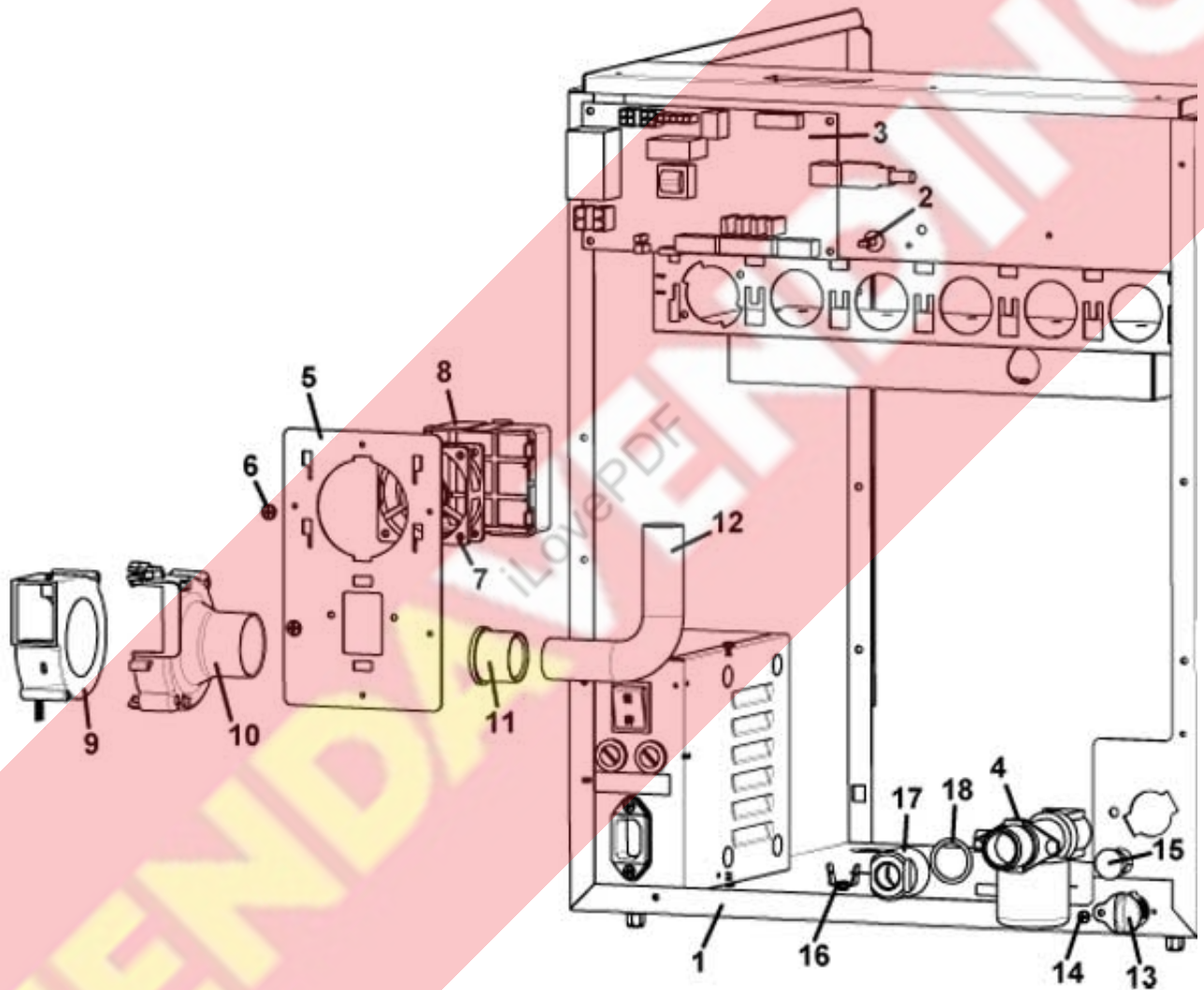
cabinet (espresso version)		
Pos.	Code	Description
1/a	Z0010024135-06NA	CABINET W/EMBOSSSED RAL 9005
2	Z0010027037	TRAP DRAWER
3	Z0010027022	TRAP DRAWER REMOVABLE
4	Z0010024111CL1	§ MACHINE FOOT D.50X29 RAL9005
5	Z0090002113	MOTOR 24 DC 97 RPM
6	Z0010020029NA	GEARBOX MOTOR PLUG BLACK
7	Z0010024027	GROUND CONTAINER
8	Z0020039036CL	§ DRIP TRAY+SPRING BLACK
9	Z0020039035CM	DRIP TRAY GRID RAL9006
10	Z0010024028NA	REAR PANEL RAL 9005
11	VIT0002401	SCREW ST HEAD CAP M3.5X9.5
12	Z0010027217	WIRING SUPPORT (BLACK)

UPPER COVER



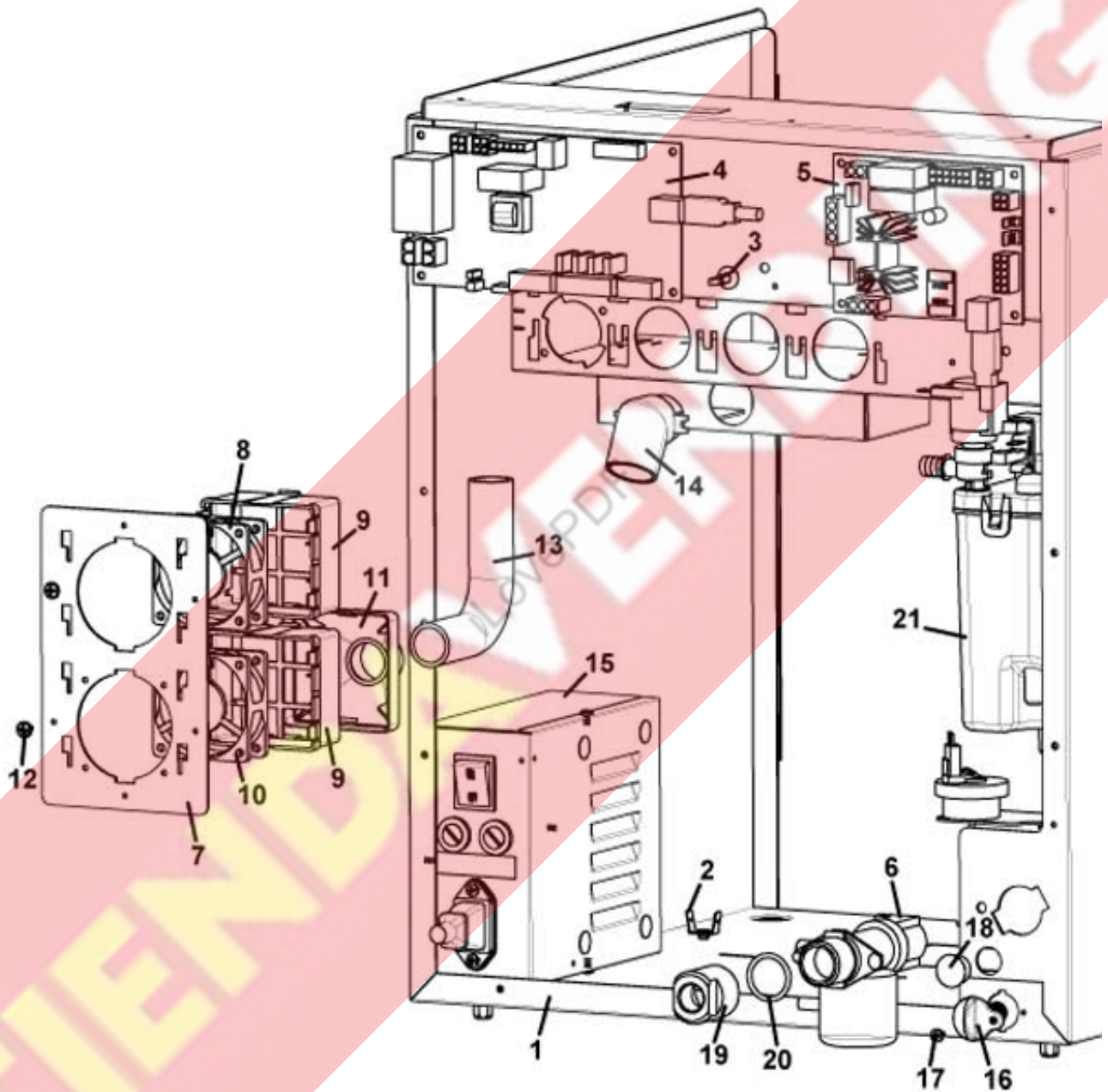
UPPER COVER		
Pos.	Code	Description
1	Z0010024116-03NA	UPPER COVER XS-08 RAL 9005
2	Z0010027344	RING PLUG
3	Z0010027343	PLUG SUPPORT COVER
4	Z0010024012	HINGE D.5,5 L.390
5	VIT0002456	SCREW HEAD TAP M3.5X25
6	ELE0002019	SWITCH 16A 250V
7/a	Z0010024117NA	UPPER COVER CLOSING BLACK Only for version "H"
7/b	Z0010024114NA	UPPER COVER CLOSING BLACK Only for version "E"
8	VIT0002469	SCREW HEAD TAP M3.5X10
9	Z0010024119NA	CABLE COVER
10	Z0010024118NA	INLET WATER LID XS08 RAL 9005
11	Z0020037124NA	PIN
12	Z0270011109IC	SERVICE KEY RAL2011
13	SCH0006261	RFID CARD READER_1
14	VIT0002452	SCREW HEAD TAP M3.5X12
15	Z0010024124	GUARD RAIL 1 THREAD
16	Z0010027272AG	RING SUPPORT TRASPARENT

rear view cabinet (instant version)



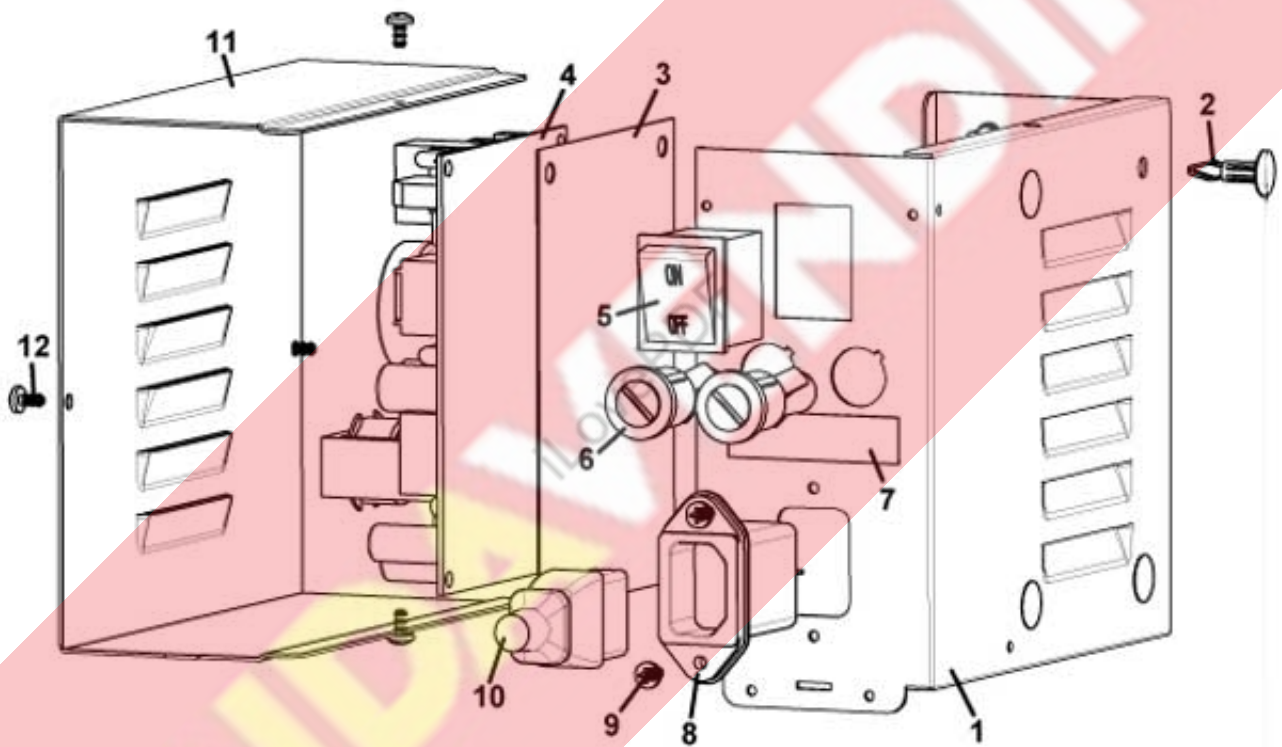
rear view cabinet (instant version)		
Pos.	Code	Description
1	Z001A122110NAR	BLACK CABINET + PACKAGE
2	ELE0062020	BOARD SUPPORT
3	SCH0007961	CPU/POWER BOARD
4	Z0110001058	WATER INLET VALVE 24V DC
5	Z0130013018NA	FAN SUPPORT BLACK
6	VIT0002401	SCREW ST HEAD CAP M3.5X9.5
7	ELE0000462	FAN 24V DC-LOW SPEED
8	Z0010027064	FAN SUPPORT
9	ELE0000465R	§ TRAP 24V DC
10	Z0010024129NA	TRAP SUPPORT
11	Z0070020073NA	EXTRACTOR REDUCTION BLACK
12	TEOL000001CL2	EXTRACTOR TUBE D.20 300MM
13	Z0600016455	H2O OUTLET PLUG
14	VIT0002009	SCREW ST HEAD CAP M3.5X6.5
15	GUA0011010	PLUG
16	ELE0060520	GROUND PIN
17	Z0100006001-01	F/F CYLINDRIC 3/4-3/8 REDUCT.
18	GUA0000021	OR 130 NBR AL 75 BLACK

rear view cabinet (espresso version)



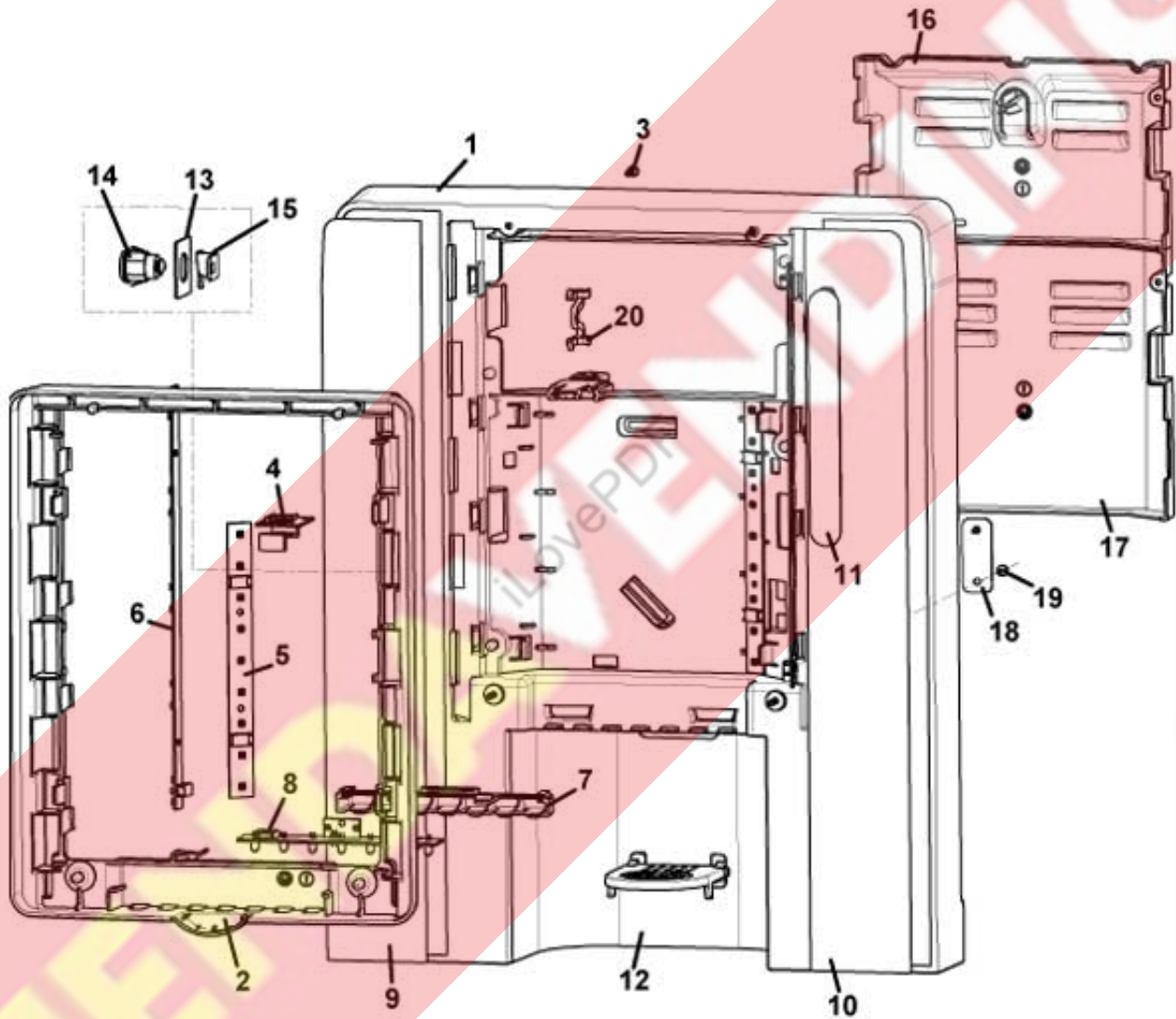
rear view cabinet (espresso version)		
Pos.	Code	Description
1/a	Z0010024135-06NA	CABINET W/EMBOSSSED RAL 9005
2	ELE0060520	GROUND PIN
3	ELE0062020	BOARD SUPPORT
4	SCH0007961	CPU/POWER BOARD
5	SCH0007605	BOARD
6	Z0110001058	WATER INLET VALVE 24V DC
7	Z0130013016NA	FAN SUPPORT BLACK
8	ELE0000462	FAN 24V DC-LOW SPEED
9	Z0010027064	FAN SUPPORT
10	ELE0000461	FAN 24V DC-HIGH SPEED
11	Z0010027065	FAN CONNECTOR
12	VIT0002401	SCREW ST HEAD CAP M3.5X9.5
13	TEOL000001CL3	EXTRACTOR TUBE D.20 220MM
14	Z0010027043NA	EXTRACTOR TUBE BLACK
15		See table SWITCHING UNIT
16	Z0600016455	H2O OUTLET PLUG
17	VIT0002009	SCREW ST HEAD CAP M3.5X6.5
18	GUA0011010	PLUG
19	Z0100006001-01	F/F CYLINDRIC 3/4-3/8 REDUCT.
20	GUA0000021	OR 130 NBR AL 75 BLACK
21		See table water inlet panel

SWITCHING UNIT



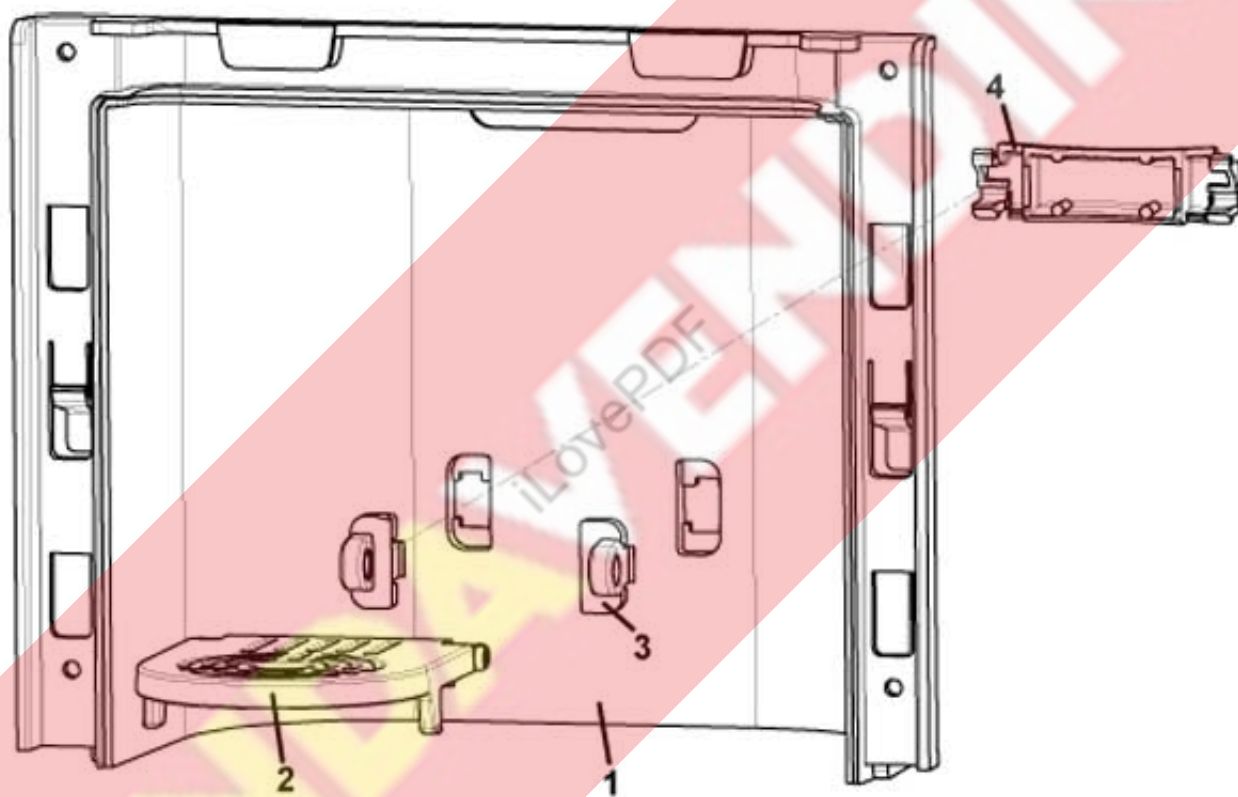
SWITCHING UNIT		
Pos.	Code	Description
1	Z0130013047-02	RIGHT SWITCHING POWER BOX
2	ELE0062020	BOARD SUPPORT
3	Z0130013014	SWITCHING BOARD COVER
4/a	SCHA161001	SWITCHING BOARD
4/b	SCHA161001CL	§SWITCHING BOARD 120V For 120V version
5	ELE0002014	BIPOLAR SWITCH 15A 250V
6/a	ELE0003507CL	FUSE HOLDER+FUSE 12A
6/b	ELE0003509CL1	FUSE HOLDER+FUSE 16A For 120V version
7/a	1010100124	FUSE 12A LABEL
7/b	1010100212	FUSE F 16A LABEL For 120V version
8/a	ELE0002322	MAINS SOCKET 250V 10A
8/b	ELE0002316	MAINS SOCKET 120V 15A For 120V version
9	VIT0002009	SCREW ST HEAD CAP M3.5X6.5
10/a	ELE0055008	SUPPLY CABLE+PLUG+SCHUK.SOCKET
10/b	ELE0055015	SUPPLY CABLE+PLUG 15A+SOCKET For 120V version
11	Z0130013043	LEFT SWITCHING POWER BOX
12	VIT0002009	SCREW ST HEAD CAP M3.5X6.5
100	Z0130013027CL	SWITCHING POWER BOX 10A Exluded pos. 10
101	Z0130013025CL	SWITCHING POWER BOX 15A For 120V version excluded pos.10

DOOR

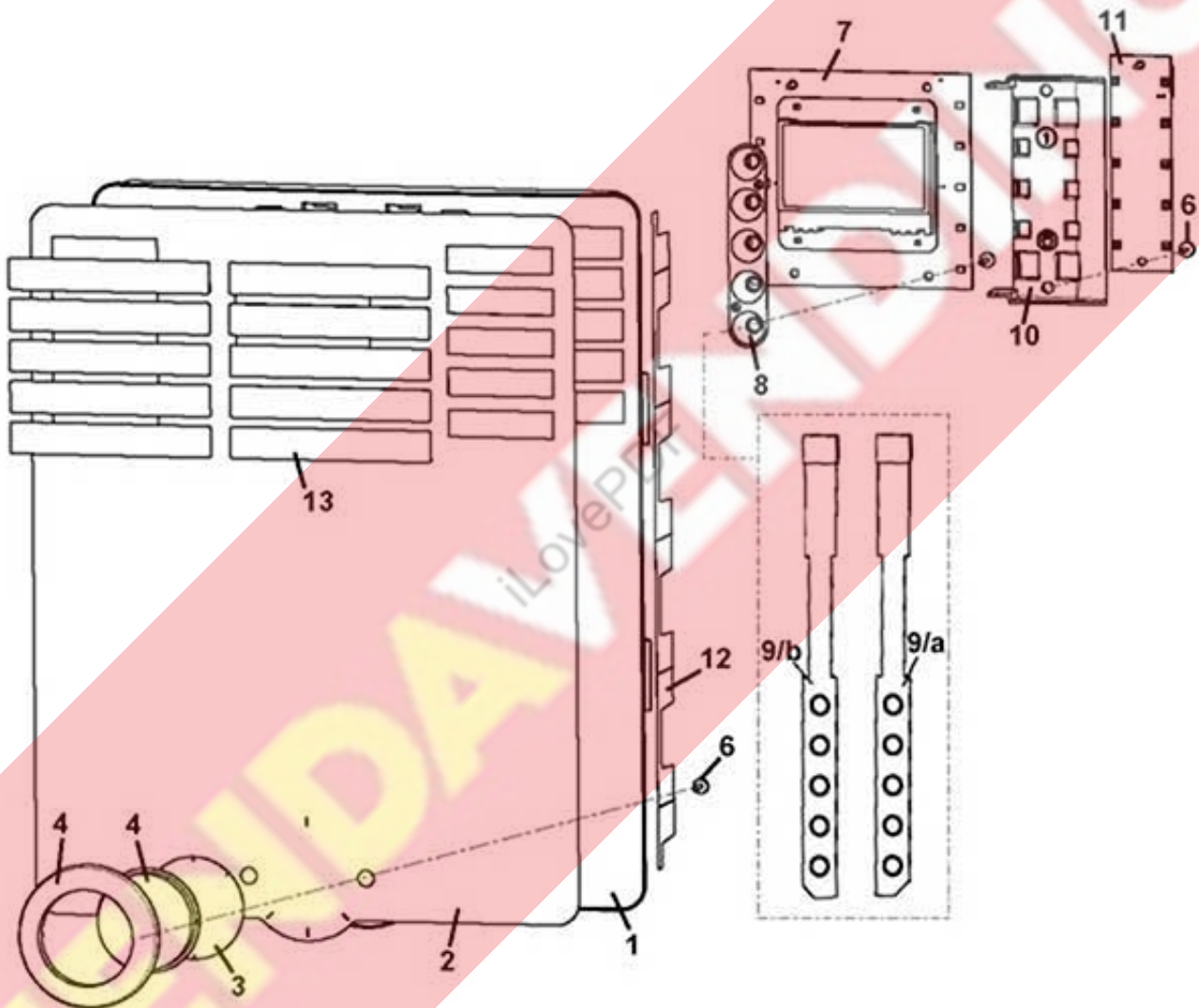


DOOR		
Pos.	Code	Description
1	Z0020039006CM	DOOR RAL9006
2	Z0020039007CM	FRAME RAL9006
3	VIT0002466	SCREW HEAD TAP M3.5X16
4	SCH0005860	FLASH BOARD
5	SCH0008160	LIGHTING BOARD
6	SCH0008120	LIGHTING BOARD
7	Z0020039078TR	CUP STAT.ENLIGHTENMENT SUPPORT
8	SCH0008144	LIGHTING CUP STATION BOARD
9	Z0020039043	LEFT PANEL RAL9005
10	Z0020039048	RIGHT PANEL RAL9005
11	Z0020039537NA	COIN ENTRY BLANK.PLATE
12		See table cups stop
13	Z0020037014	LOCK PLATE
14	SER0000024/1	LOCK INOX RVI MM20 C.3374
15	Z0020037015	LOCK PLATE
16	Z0020039075IC	UPPER DOOR RAL2011
17	Z0020039076-01NA	LOWER INTER. DOOR COVER BLACK
18	Z0020039551NA	BRACKET
19	VIT0002469	SCREW HEAD TAP M3.5X10
20	Z0020039080NA	PLEXIGLASS STOPPER

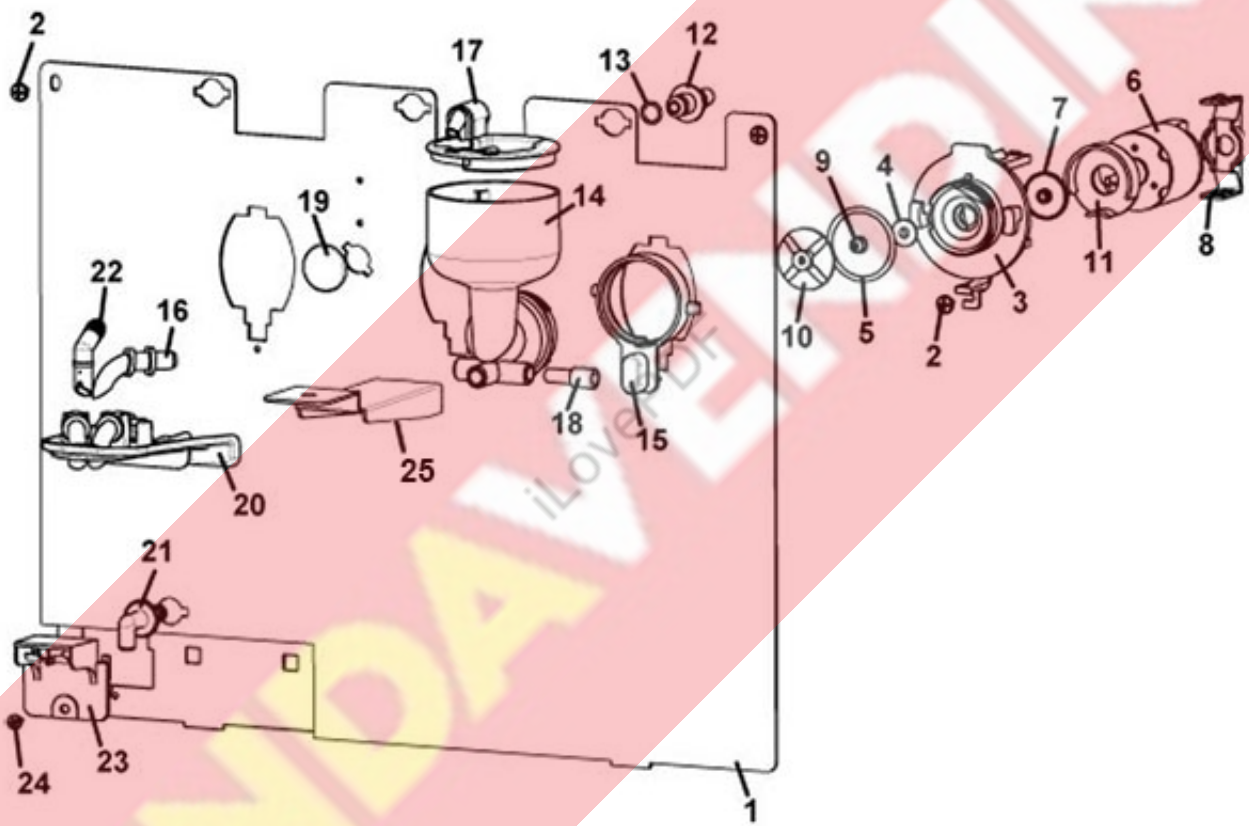
cups stop



cups stop		
Pos.	Code	Description
1/a	Z0020039071NA	CUPS STATION FRAME BLACK
1/b	Z0020039071XM	CUP STATION FRAME (METALLIC)
2	Z0020039072NA-02	CUP SUPPORT BLACK
3/a	Z0020039073NA	CUP SUPPORT PIN BLACK
3/b	Z0020039073TR	CUPS SUPPORT PIN
4	Z0020039087-03IC	CUP HOLDER BRACKET

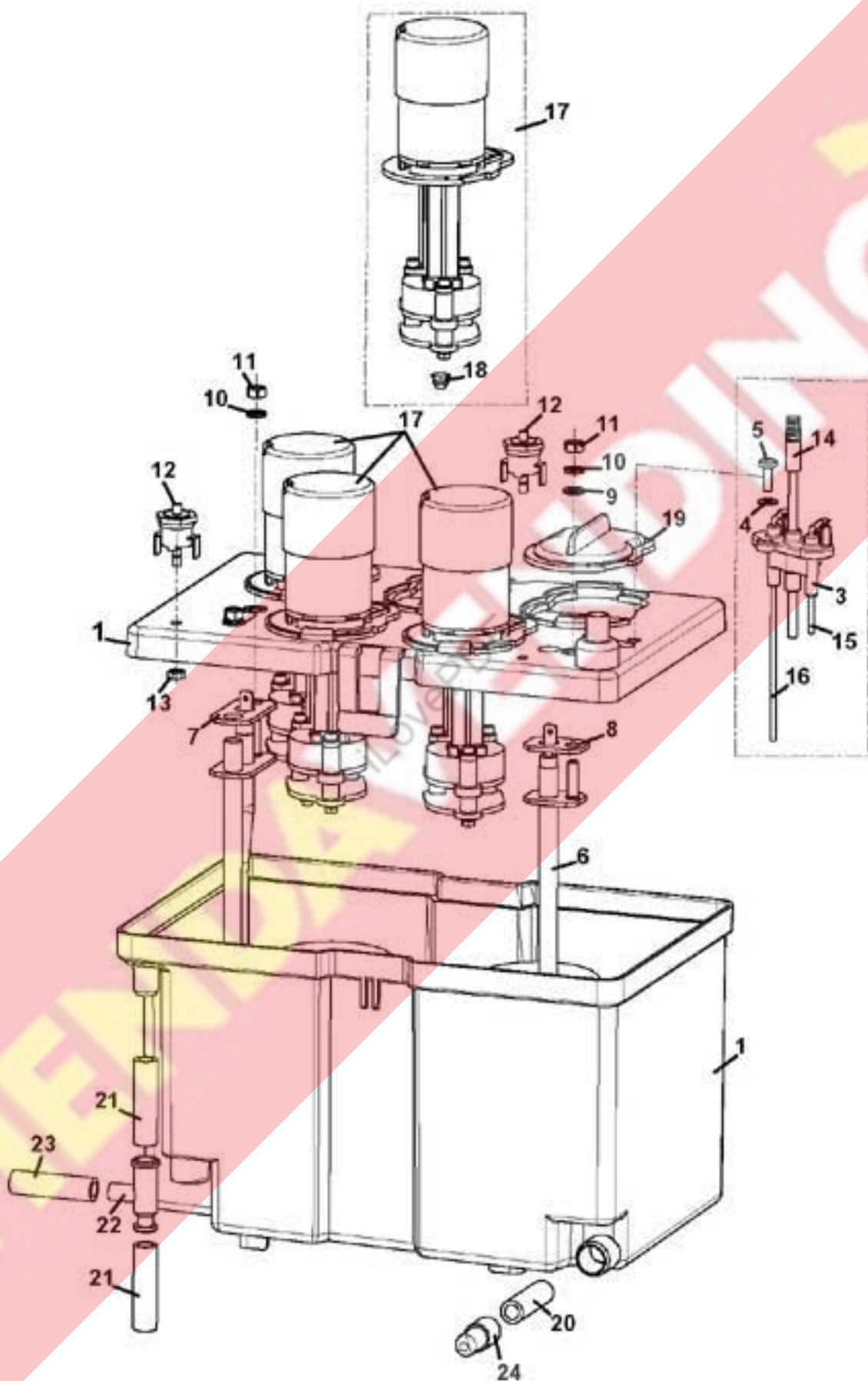


LIGHTING GLASS		
Pos.	Code	Description
1	Z0020039008TR	PLEXIGLASS GRAPHIC PANEL
2/a	1030000199	GRAP.PANEL BLACK XSGR
2/b	1030000200	GRAPHIC PANEL WHITE XSGR
3	1030000188	ADHESIVE LOGO
4	Z0020039084CL	§ DOOR LOGO FRAME CROMO
6	VIT0002466	SCREW HEAD TAP M3.5X16
7	SCH0008242CL	DISPLAY BOARD
8	Z0020039079NA	GUIDE
9/a	ELE0000470	KEYPAD 5 BUTTONS-RIGHT
9/b	ELE0000471	KEYPAD 5 BUTTONS-LEFT
10	Z0020039086NA	GUIDE
11	SCH0008220	SELECT. LABEL LIGHTING BOARD
12	Z0020039015ID	ORANGE LED FILTER
13		Communicate the serial number of the machine during the order
100	ELE0000470R	§ KEYPAD 5 BUTTONS-RIGHT+LEFT Pos.9/a+9/b

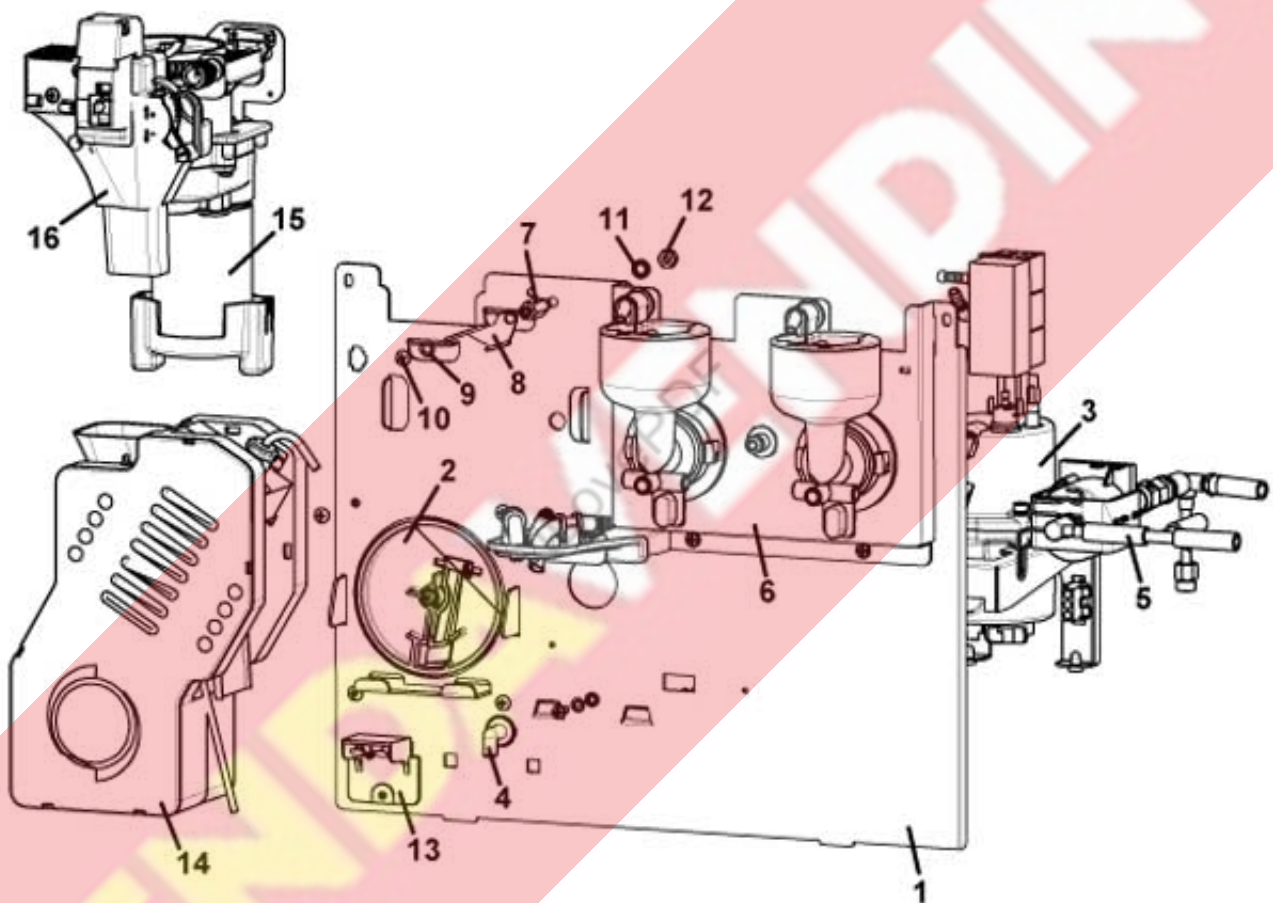


mixer plan (instant version)		
Pos.	Code	Description
1	Z0080200002NAR	MIXER PLATE SUPPORT+TUBE
2	VIT0002401	SCREW ST HEAD CAP M3.5X9.5
3	Z0080100005	MOTOR MIXER BASE
4	Z0080100015	MIXER BUSH
5	GUA0000084	OR 3131 RED SILICONE A60
6	Z0090003023	MIXER MOTOR 24V DC SHAFT D.4
7	Z0080100024	MIXER FAN
8	Z0080100009IC	MIXER MOTOR SUPPORT RAL2011
9	Z0080100102	MIXER SHAFT GASKET
10	Z0080100011	MIXER FAN
11	Z0080100023IC	MIXER COVER RAL2011
12	Z0080100043	MIXER CONNECTOR BLACK
13	GUA0000085	OR 106 RED SILICONE A70
14/a	Z0080200110L	MIXING BOWL L.W/H20 BREAKER
14/b	Z0080200111R	MIXING BOWL R.W/H20 BREAKER
14/c	Z0080200112C	MIXING BOWL F.W/H20 BREAKER
15	Z0080100006IC	LOCK RING RAL2011
16	Z0010020052	PRODUCT NOZZLE
17	Z0080100042	MIXER RING W/PIPE X4,25 BLACK
18	Z0080100095	TUBE REDUCER D.4
19	Z0080100035NA	CONNECTOR PLUG BLACK
20	Z0020039552	NOZZLES HOLDER (BLACK)
21	Z0080100084	90° CONNECTOR
22	Z0020039533	SPOUT DELIVERY 30° D.6
23	Z0010020836CL	§DRIP TRAY SENSOR
24	VIT0002009	SCREW ST HEAD CAP M3.5X6.5
25	Z0080200007NA	HOSES SUPPORT
100	Z0080100001R	§ MIXER BOWL BASE+MOTOR From pos.3 to pos.11

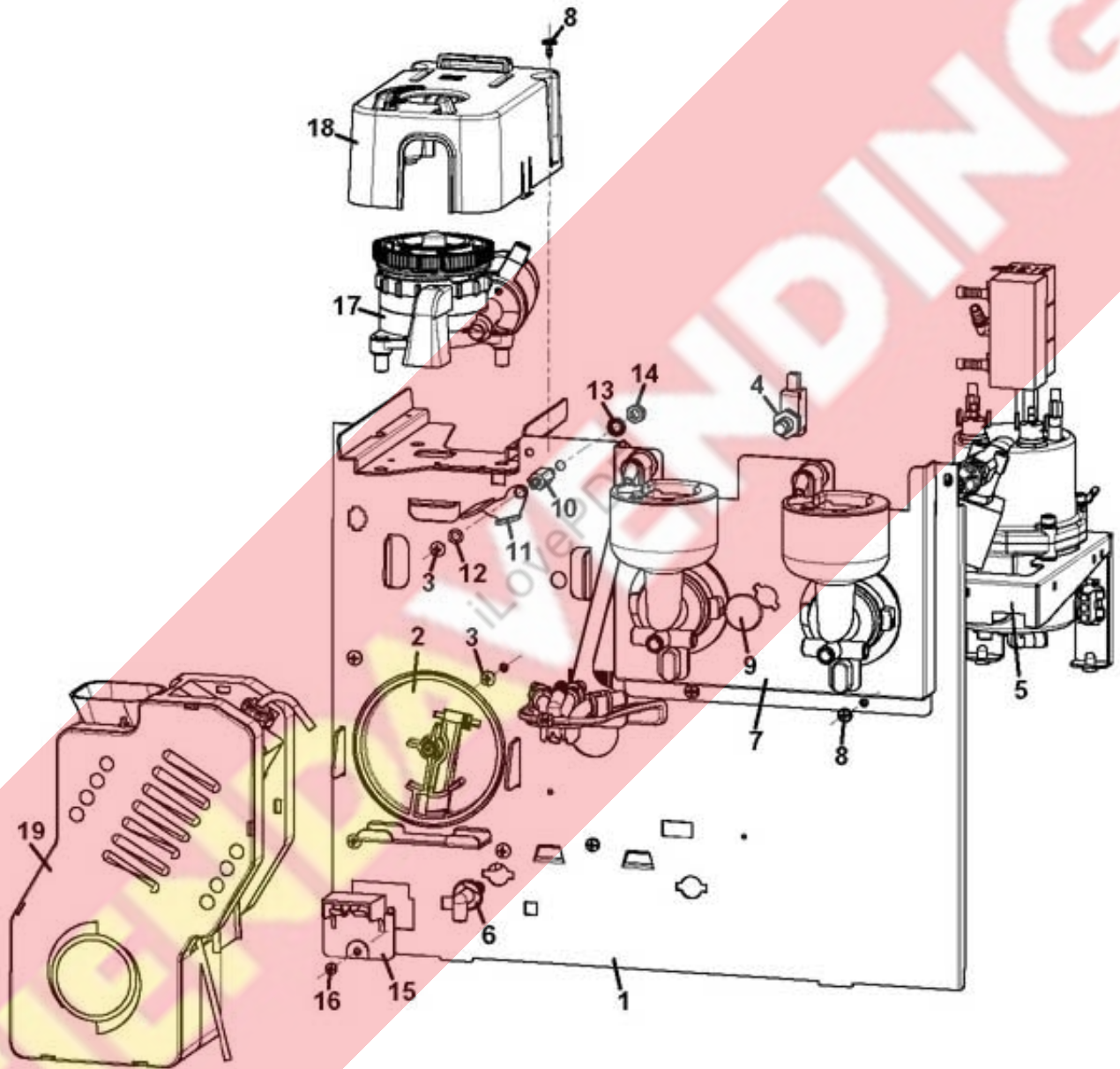
boiler



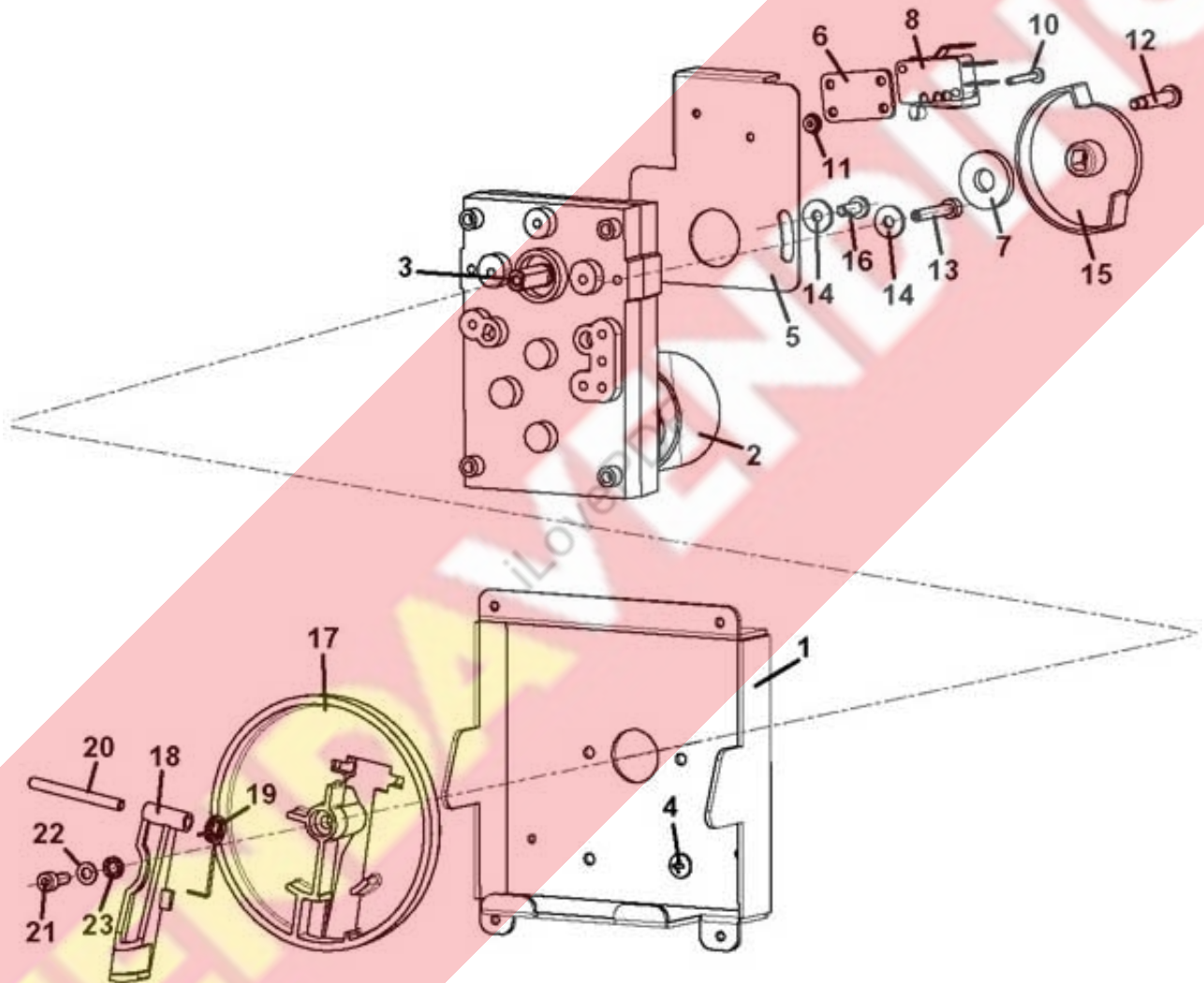
boiler		
Pos.	Code	Description
1	Z0600014111R	§ TANK+BOILER COVER
3	Z0600016089	PROBE SUPPORT
4	VIT0003211	WASHER 4,3X9X0,8
5	VIT0001005	SCREW HEAD TAP CAP M4X12
6/a	Z0600016138R	§ HEATING ELEMENT 1600W 230V
6/b	Z0600016139	HEATING ELEMENT 1300W 120V For 120V version
7	Z0600014113	HEATING ELEM GASKET
8	Z0600014114	HEATING ELEM GASKET
9	VIT0003203	WASHER 5,3X10X1
10	VIT0003111	SPRING WASHER 5,3
11	VIT0004804	NUT M5
12	ELE0000965	CLIXSON 88°
13	VIT0004816	NUT M4
14	ELE0000963R	§ TEMPERATURE PROBE+SENSOR
15	Z0600016054	MAXIMUM LEVEL PROBE
16	Z0600016053	MINIMUM LEVEL PROBE
17	Z0600016405R	§ BOILER PUMP
18	Z0080100102	MIXER SHAFT GASKET
19	Z0600016422	PUMP LID
20/a	TSIL10/14T-10	SILICON HOSE 10X14 MT.10
20/b	TSIL10/14T-50	SILICON HOSE 10X14 MT.50
21/a	TSIL07/11T-10	SILICON HOSE 7X11 MT.10
21/b	TSIL07/11T-50	SILICON HOSE 7X11 MT.50
22	Z0600016028	T CONNECTOR
23/a	TSIL05/08T-10	SILICON HOSE 5X8 MT.10
23/b	TSIL05/08T-50	SILICON HOSE 5X8 MT.50
24	650001057	DRAINER PLUG
100	Z0600014200CL2	§ BOILER PLUMBED 3PUMP 230V
101	Z0600014200CL3	§ BOILER UNPLUMBED 3PUMP 230V
102	Z0600014201CL2	§ BOILER PLUMBED 4PUMP 230V
103	Z0600014205CL2	2 PUMPS BOILER A.R. 230V WITH INTEGRATED TERMOFUSE
104	Z0600014203CL1	§ BOILER-3PUMP-A.R.-120V



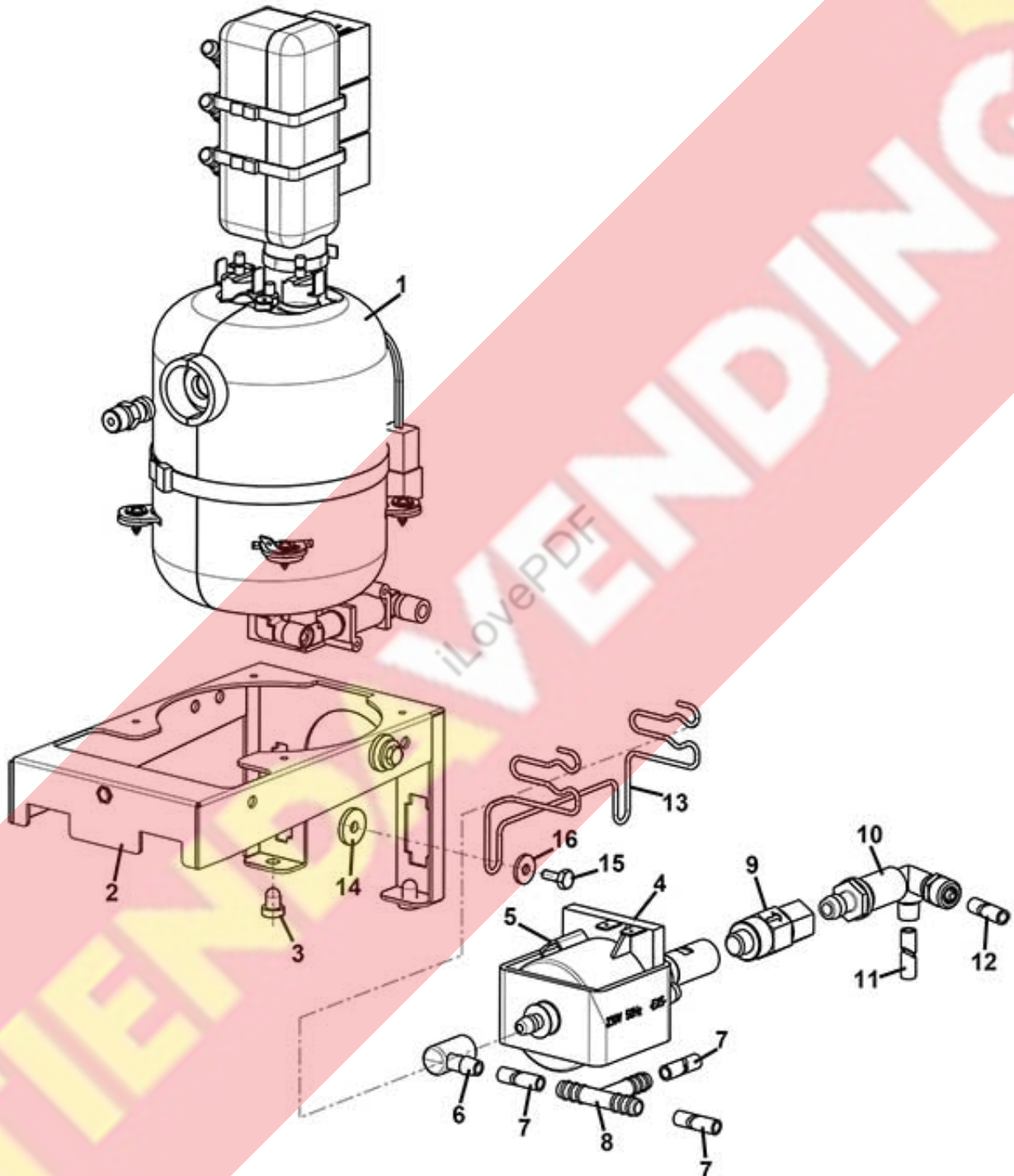
mixer plan (espresso version)		
Pos.	Code	Description
1	Z0260012002NA	BREWER MOUNTING PLATE BLACK
2		See table micro coffee group motor support
4	Z0080100084	90° CONNECTOR
6		See table 2 MIXERS SUPPORT ASSEMBLY
7	Z0010020196	BREWER FIX LEVER
8	Z0010020132	FIXING PLATE
9	GUA0000004	OR 104 NBR AL 75 BLACK
10	VIT0000030	SCREW HEAD TAP CAP M4X7
11	VIT0003105	SPRING WASHER 6,4
12	VIT0004505	NUT M6
13	Z0010020836CL	§DRIP TRAY SENSOR
14/a		See table micro coffee group
14/b		See table heated micro coffee group
15		See table vertical mill groups
16		See table plastic batcher with setting



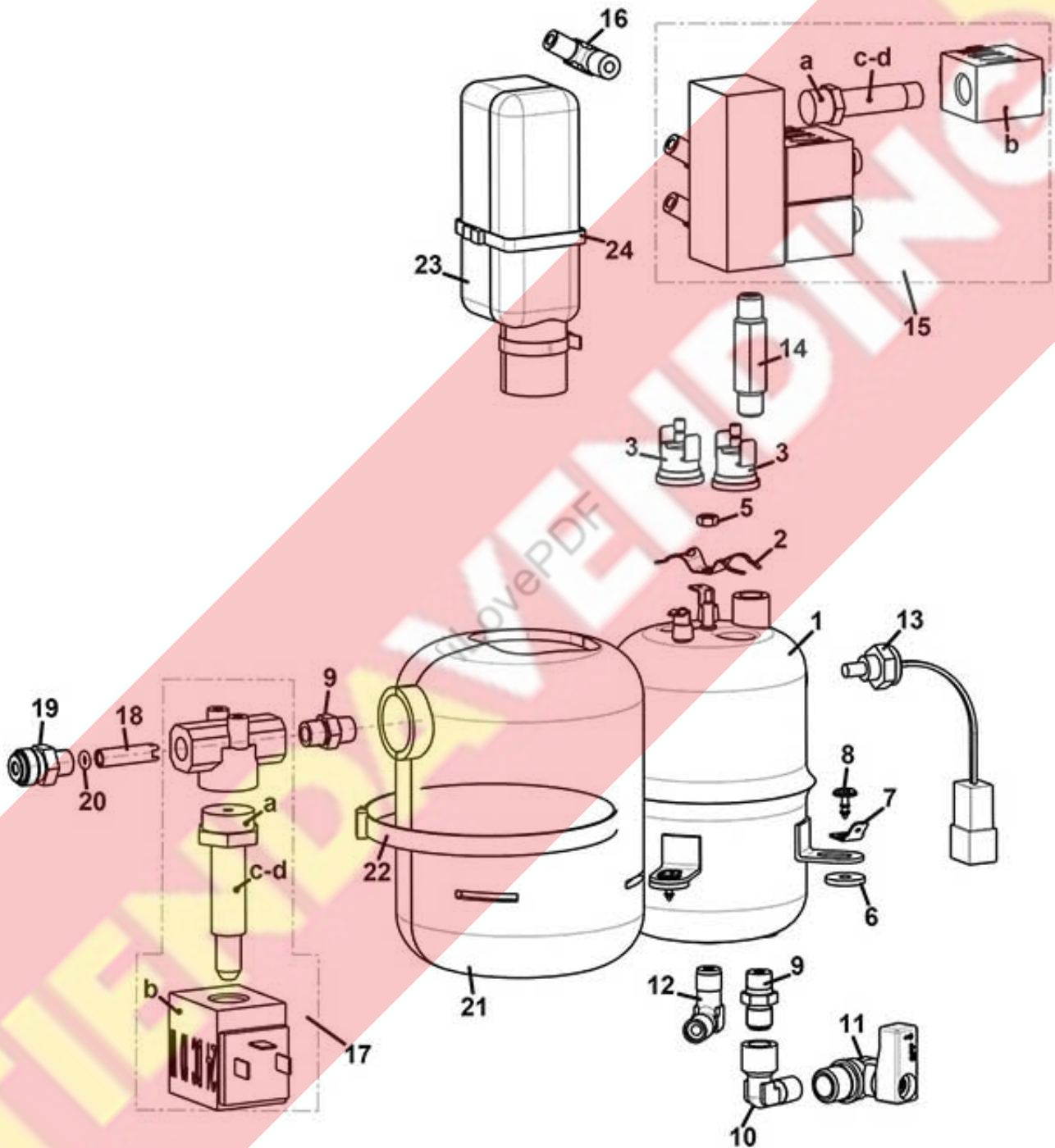
mixer plan (espresso version)-120v version		
Pos.	Code	Description
1	Z0260012072NA	BREWER MOUNTING PLATE BLACK
2		See table micro coffee group motor support
3	VIT0000030	SCREW HEAD TAP CAP M4X7
4	ELE0001506	MICROSWITCH
6	Z0080100084	90° CONNECTOR
7		See table 2 MIXERS SUPPORT ASSEMBLY
8	VIT0002401	SCREW ST HEAD CAP M3.5X9.5
9	Z0080100035NA	CONNECTOR PLUG BLACK
10	Z0010020196	BREWER FIX LEVER
11	Z0010020132	FIXING PLATE
12	GUA0000004	OR 104 NBR AL 75 BLACK
13	VIT0003105	SPRING WASHER 6,4
14	VIT0004505	NUT M6
15	Z0010020836CL	§DRIP TRAY SENSOR
16	VIT0002009	SCREW ST HEAD CAP M3.5X6.5
17		See table GRINDER-120V VERSION
18	Z0230015739	GRINDER COVER
19		See table micro coffee group



micro coffee group motor support		
Pos.	Code	Description
1	Z0260010128KE	MICRO BREWER MOTOR RED SUPPORT
2	Z0090002191R	§ GEARBOX MOTOR 11RPM 24V DC Pos. 2+3
3		Pos. 2+3
4	VIT0000030	SCREW HEAD TAP CAP M4X7
5	Z0250008093	MICRO PLATE
6	4600010014	SPACER
7	Z0250008091	SPACER
8	ELE0001529	MICROSWITCH WITH LEVER
10	VIT0000007	SCREW HEAD TAP CAP M3X20
11	VIT0004701	NUT M3
12	Z0250008126	PIN M4
13	VIT0005521	SCREW HEX HEAD REC TAP M4X25
14	VIT0003301	WASHER 4,3X12X1,5
15	Z0250008043	MICRO GROUP READER DISK
16	VIT0000012	SCREW HEAD TAP CAP M4X10
17	Z0250008012	MOTOR CRANK
18	Z0250008034	HOOKING LEVER
19	Z0250008059	SPRING
20	VIT0005205	DOWEL PIN 4X40
21	VIT0005508	SCREW HEX HEAD REC TAP M4X12
22	VIT0003003	WASHER 4,3X8X0,8
23	VIT0003103	SPRING WASHER 4,3

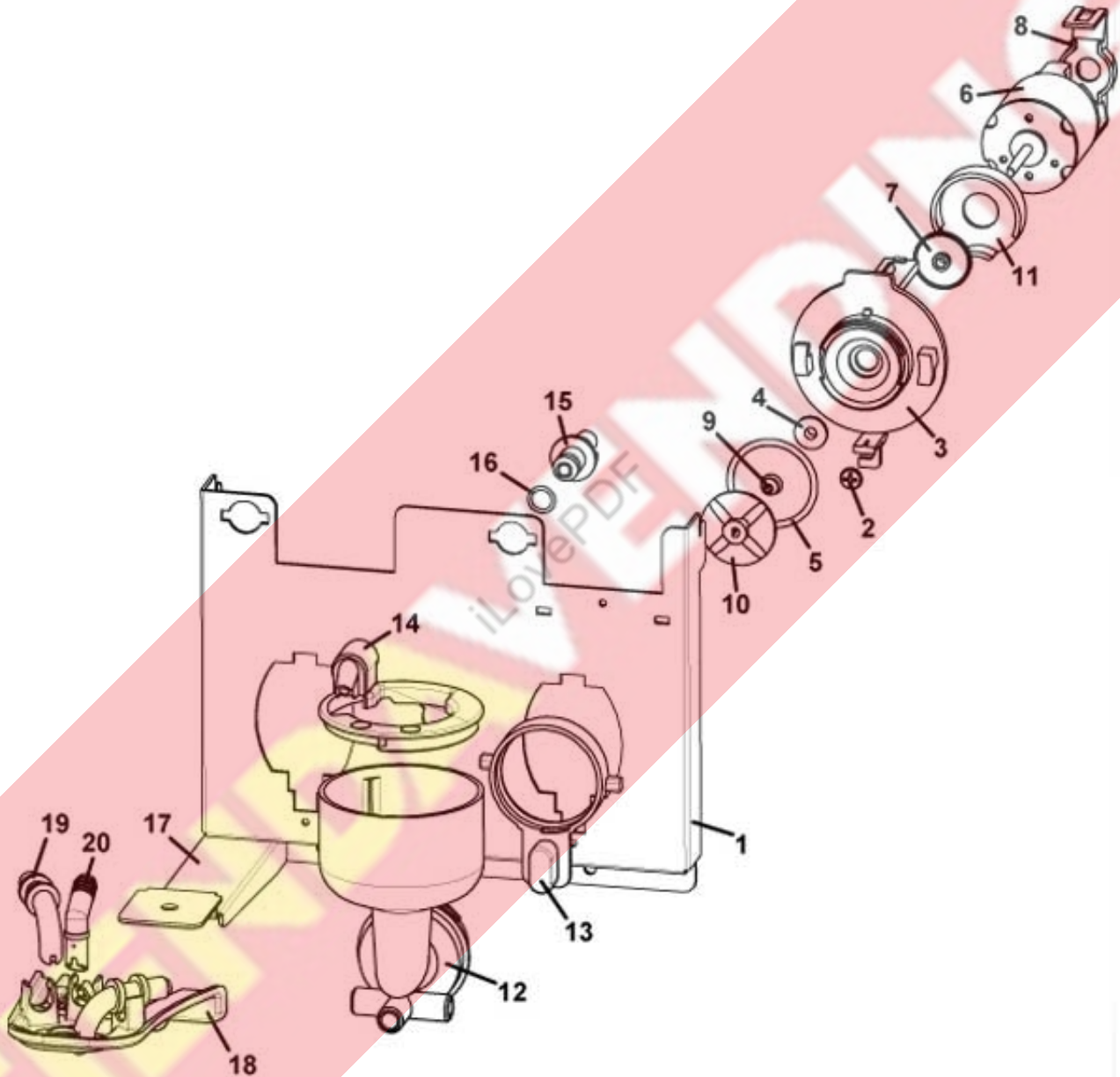


ESPRESSO boiler support		
Pos.	Code	Description
1		See table ESPRESSO BOILER STAINLESS STEEL 400CC
2	Z0600019720NA	INOX BOILER SUPPORT
3	Z0020018061	SELECTION BUTTON PLUG
4/a	Z0110004041	PUMP EX5 230V-50HZ
4/b	Z0110004042	PUMP EX5 220V 50-60HZ For version 220V
5	ELE0000915	PUMP THERMOPROTECTOR
6	Z0110004023	CONNECTOR
7/a	TSIL05/08T-10	SILICON HOSE 5X8 MT.10
7/b	TSIL05/08T-50	SILICON HOSE 5X8 MT.50
8	Z0100003022	T CONNECTOR 461 TS UL
9	Z0110002012R	§ SAFETY VALVE E:1/8M O:1/8F
10	Z0110004070	BY PASS VALVE 11 BAR
11/a	TSIL05/08T-10	SILICON HOSE 5X8 MT.10
11/b	TSIL05/08T-50	SILICON HOSE 5X8 MT.50
12	Z0600012713R	PTFE PIPE 23CM
13	Z0110004038	PUMP SUPPORT
14	1600001098	RUBBER SPACER D. 4,5
15	VIT0000234	SCREW HEX HEAD M4X12 A2
16	VIT0003301	WASHER 4,3X12X1,5
100	Z0600019766CL	§STEEL BOILER EV2+1 230V XS08 From pos.1 to pos. 3 (for verson 230V excluded pos.1/b + 23/a and pos. 15_1) Up to serial 20174099999
101	Z0600019767CL	§STEEL BOILER 3+1 VALVE 230V From pos.1 to pos. 3 (for verson 230V excluded pos.1/b + 23/b and pos. 15_2) Up to serial 20174099999
102	Z0600019767CL1	§INOX BOILER 3+1VALVE XS08120V From pos.1 to pos. 3 (for verson 230V excluded pos.1/a + 23/b and pos. 15_2) Up to serial 20174099999



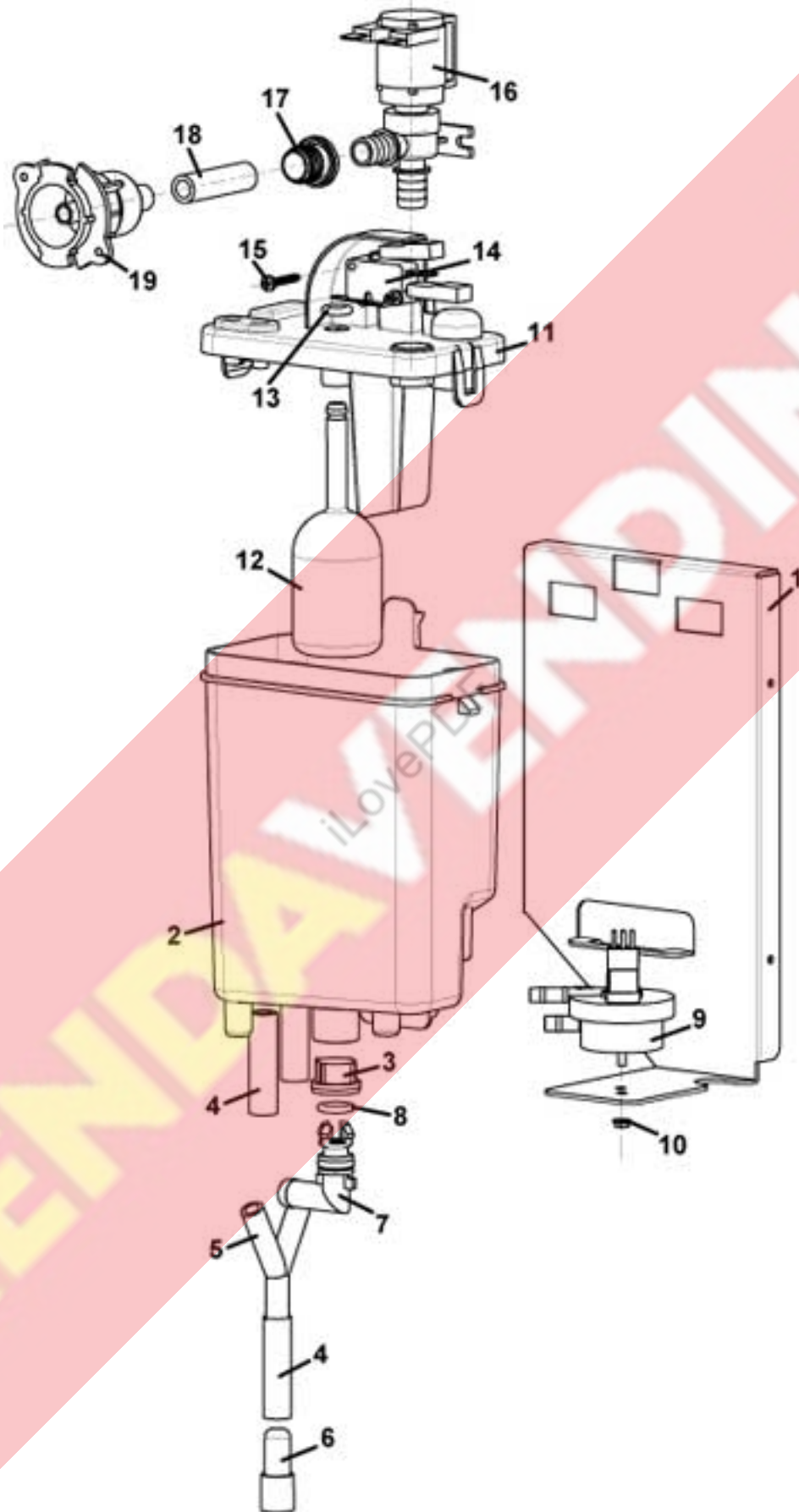
ESPRESSO BOILER STAINLESS STEEL 400CC		
Pos.	Code	Description
1/a	Z0600019701CL	§ BOILER 1500 W 230V 400 CC From pos.1 to pos. 5 from serial 20174100000
1/b	Z0600019702CL	§ BOILER INOX 400CC 120V From pos.1 to pos. 5 from serial 20174100000
2	Z0600019188	THERMOSTAT CLIP
3	ELE0000982	CLIXSON 127°
5	VIT0004826	NUT M4X0,7
6	1600001098	RUBBER SPACER D. 4,5
7	Z0600019012	GROUND WIRING
8	VIT0002401	SCREW ST HEAD CAP M3.5X9.5
9	Z0100001084	NIPPLE 1/8
10	Z0100001085	ELBOW CONNECTOR
11	Z0600019017	TAP M/F 1/8
12	Z0100001109	ELBOW CONNECTOR 6-1/8+OR
13	ELE0000975	PROBE
14	Z0110001220	STRAIGHT CONNECTOR MM 1/8 GC
15_1	Z0110001117	VALVE BLOCK 3V 2W 24V DC 7W
15_2	Z0110001111	VALVE BLOCK.2 2W 24V DC 7W before order pls check ORING color of the sleeve
15_1 e 2/a	Z0110010138	SLEEVE D.13,9+WHITE OR
15_1 e 2/a	Z0110010148	SLEEVE D.14,9+GREEN OR
15_1 e 2/b	Z0110010135	COIL 7W 24V DC
15_1 e 2/c-d	Z0110010136	CORE+SPRING
16	Z0100001102	CONNECTOR 1/8"-Ø7,2 90°
17	Z0110001072	VALVE 3W 1/8 24DC O
17/a	Z0110010035	VALVE 3W SLEEVE
17/b	Z0110010065	COIL 8 W 24 DC
17/c-d	Z0110010151	CORE+SPRING
18	Z0110003122	SPACER OR
19	Z0110003121	STRAIGHT CONNECTOR
20	GUA0000069	OR 2015 VITON 80 BLACK
21	Z0600019195	INSULATION SHELL
22	FASC000214	PLASTIC CLIP BLACK 7,8X365
23/a	Z0600019196	EV HOUSING INSULATION For version with 3 EV
23/b	Z0600019197	EV HOUSING INSULATION For version with 2 EV
24	FASC000215	PLASTIC CLIP BLACK 2,6X200

2 MIXERS SUPPORT ASSEMBLY



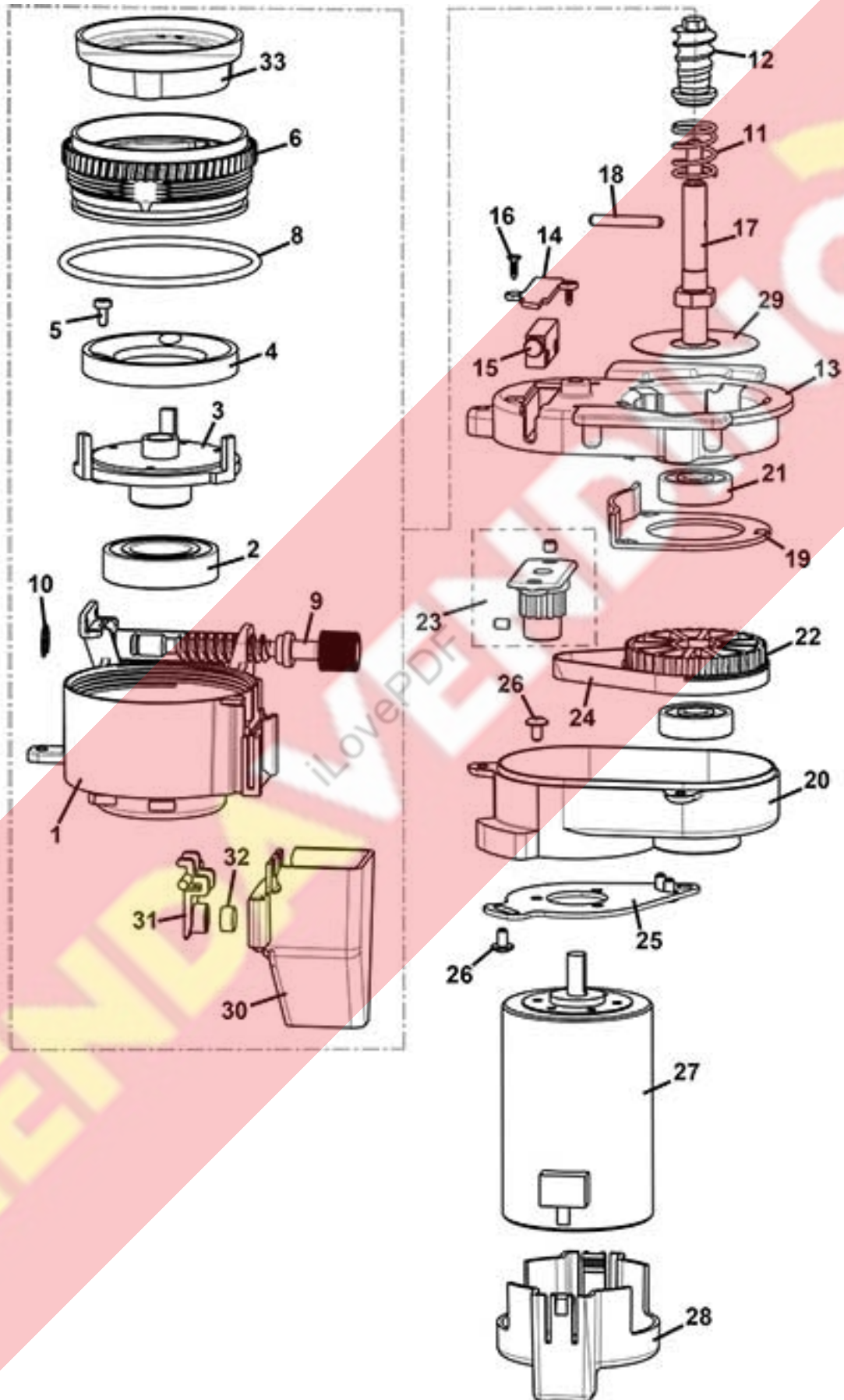
2 MIXERS SUPPORT ASSEMBLY		
Pos.	Code	Description
1	Z0080200012NA	MIXER PLATE
2	VIT0002401	SCREW ST HEAD CAP M3.5X9.5
3	Z0080100005	MOTOR MIXER BASE
4	Z0080100015	MIXER BUSH
5	GUA0000084	OR 3131 RED SILICONE A60
6	Z0090003023	MIXER MOTOR 24V DC SHAFT D.4
7	Z0080100024	MIXER FAN
8	Z0080100009IC	MIXER MOTOR SUPPORT RAL2011
9	Z0080100102	MIXER SHAFT GASKET
10	Z0080100011	MIXER FAN
11	Z0080100023IC	MIXER COVER RAL2011
12/a	Z0080200110L	MIXING BOWL L.W/H20 BREAKER
12/b	Z0080200111R	MIXING BOWL R.W/H20 BREAKER
12/c	Z0080200112C	MIXING BOWL F.W/H20 BREAKER
13	Z0080100006IC	LOCK RING RAL2011
14	Z0080100080	MIXER RING W/PIPE X2,5 GREY
15	Z0080100043	MIXER CONNECTOR BLACK
16	GUA0000085	OR 106 RED SILICONE A70
17	Z0080200014NA	HOSES SUPPORT
18	Z0020039552	NOZZLES HOLDER (BLACK)
19	Z0010020052	PRODUCT NOZZLE
20	Z0020039533	SPOUT DELIVERY 30° D.6
100	Z0080100001R	§ MIXER BOWL BASE+MOTOR From pos.3 to pos. 11

water inlet panel

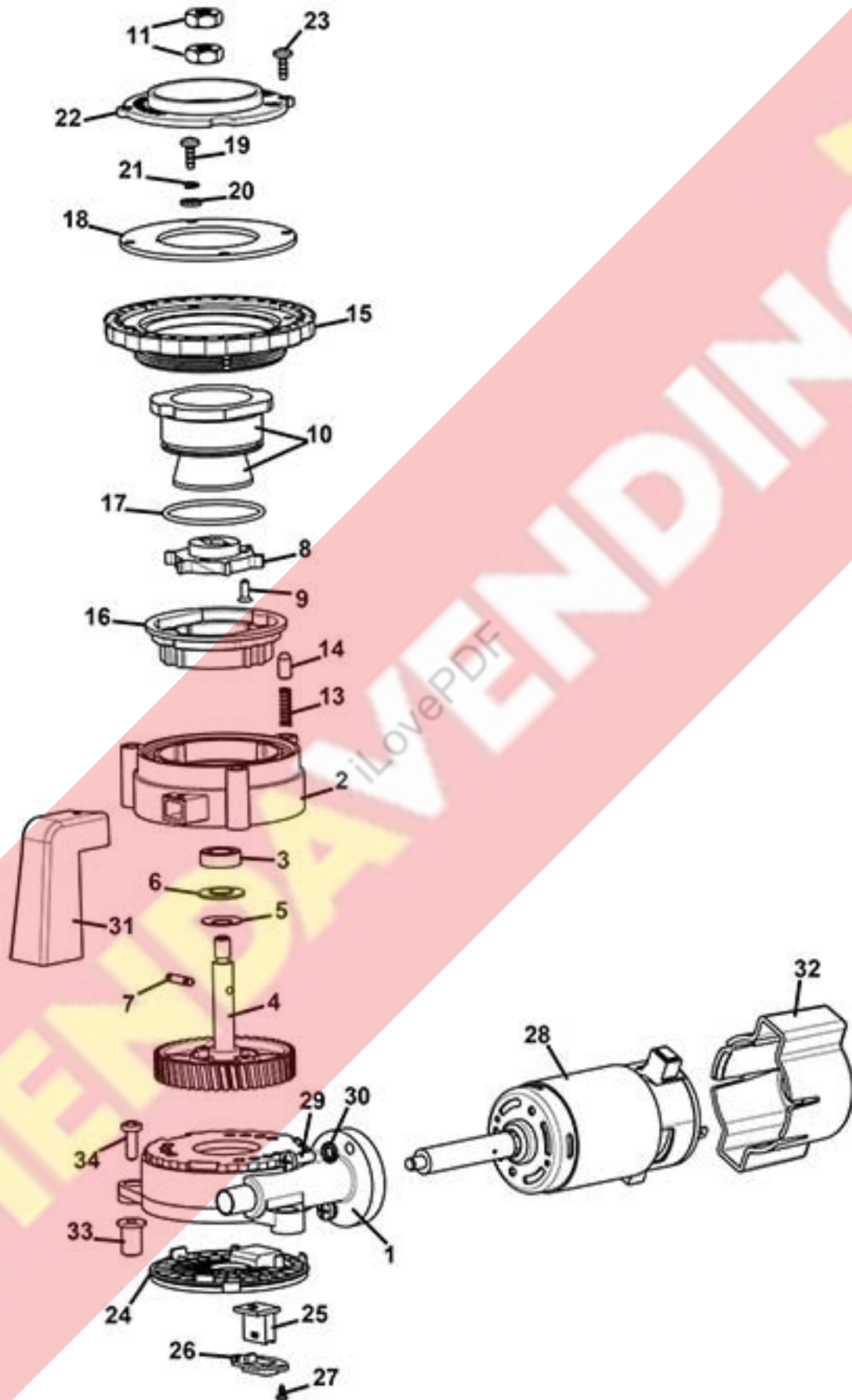


water inlet panel		
Pos.	Code	Description
1	Z0010027244-05	AIR BREAK HOLDER BRACKET
2	Z0800013041	AIR BREAK TANK
3	Z0110020007	PLASTIC FILTER DIAM. 20
4/a	TSIL07/11T-10	SILICON HOSE 7X11 MT.10
4/b	TSIL07/11T-50	SILICON HOSE 7X11 MT.50
5	Z0100001065	CONNECTOR "Y"
6	650001057	DRAINER PLUG
7	Z0800009211	ELBOW CONNECTOR
8	GUA0000043	OR 109 NBR AL 75 BLACK
9	Z0110007003	VOLUMETRIC COUNTER
10	VIT0004701	NUT M3
11	Z0800013043	AIR BREAK COVER
12	Z0800013046	AIR BREAK WASTE FLOAT
13	GUA0000082	SILICON GASKET D.6
14	ELE0001514	MICROSWITCH 3A 125-250VA
15	VIT0002013	SCREW ST HEAD CAP M2.9X19
16	Z0110001103	VALVE 2W 24V DC
17	Z0800013051	VALVE GASKET
18/a	TSIL06/11T-10	SILICON HOSE 6X11 MT.10
18/b	TSIL06/11T-50	SILICON HOSE 6X11 MT.50
19	Z0800012015	WATER TANK CONNECTOR

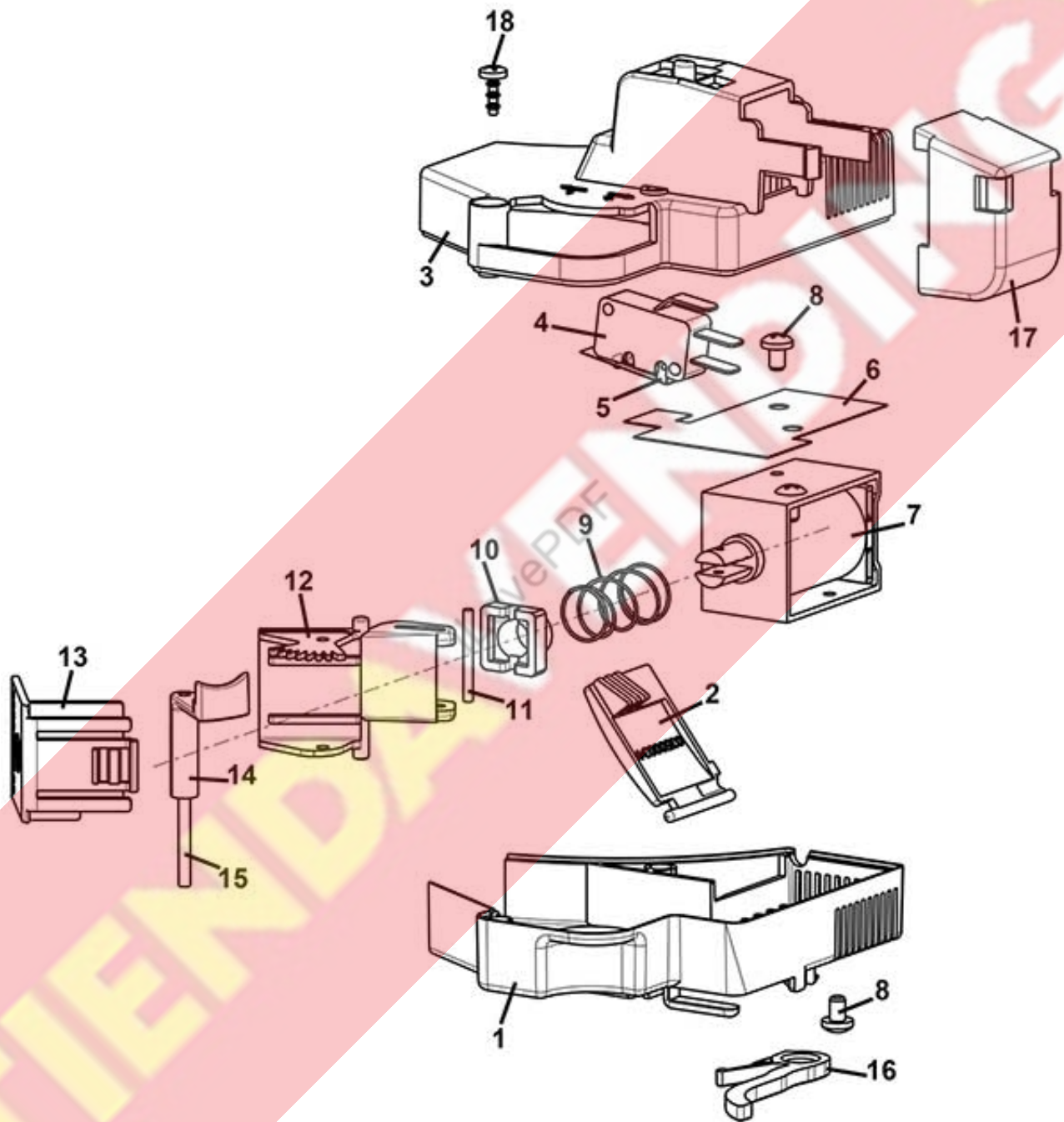
vertical mill groups



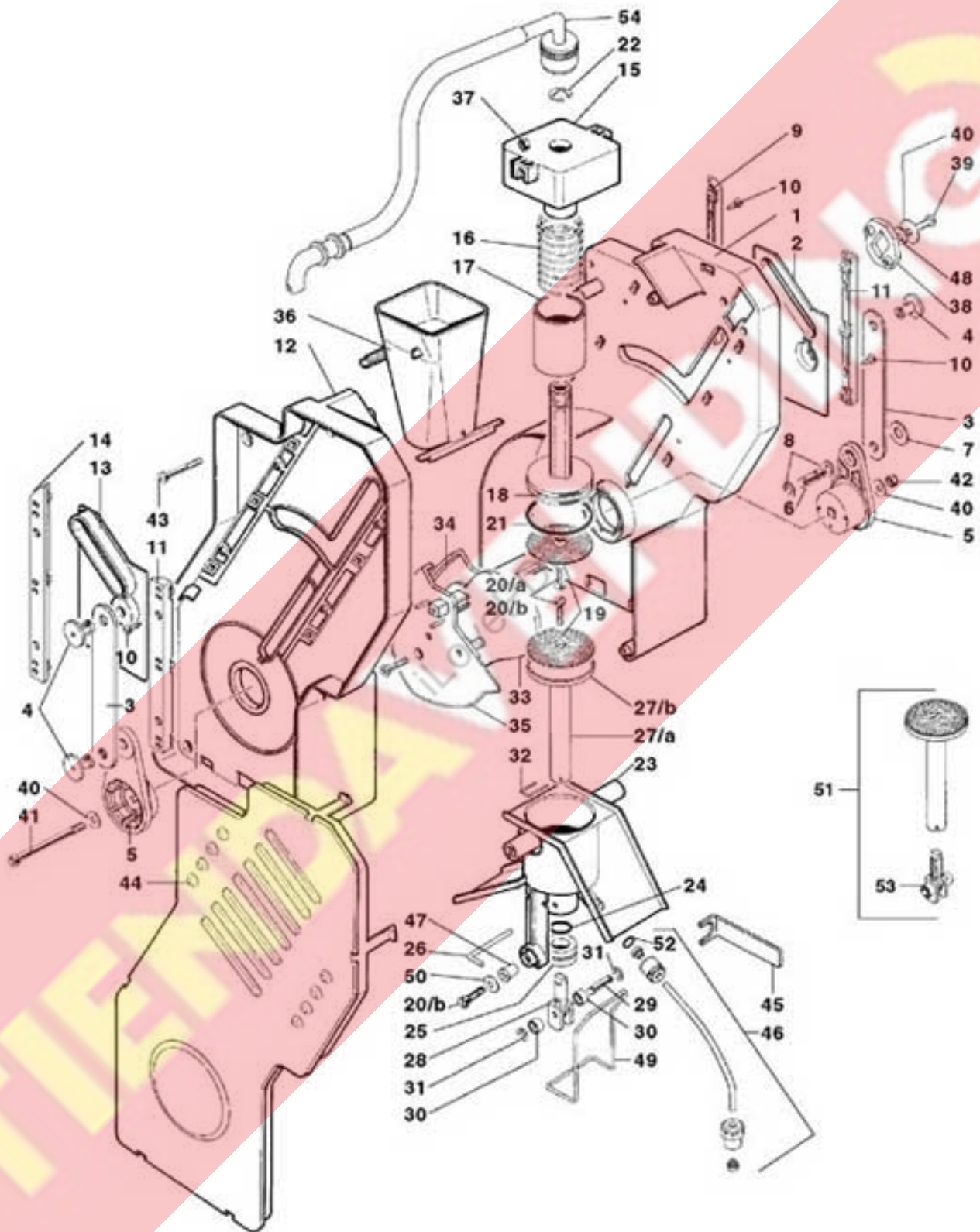
vertical mill groups		
Pos.	Code	Description
1	Z0320001525AH	MILLSTONES SUPPORT RAL9003
2	VIT0009315	BEARING
3	Z0320001536	LOWER GRINDER SUPPORT
4	Z0320001559	GRINDER RING D.63.4 20/56
5	VIT0000024	SCREW HEAD FLAP CAP M4X8
6	Z0320001515AH	TOOTHED RING NUT RAL9003
8	GUA0000123	OR 3231 SILCON
9	Z0320001514AH	REGULATION SCREW RAL9003
10	VIT0006506	RING 7
11	Z0320001558	SPRING
12	Z0320001538	GRINDER BODY BLOCK
13	Z0320001513AH	UPPER BATCHER BOX RAL9003
14	Z0320001521AH	SENSOR COVER RAL9003
15	ELT0030671	MAGNETIC SENSOR
16	VIT0002107	SCREW COUNT FLAT HEAD M2.9X6.5
17	Z0320001512	TRANSMISSION SHAFT
18	VIT0005101	PIN 3X16
19	Z0320001524AH	COVER RAL9003
20	Z0320001506AH	LOWER BATCHER BOX RAL9003
21	VIT0009314	BEARING
22	Z0320001531AH	PULLEY RAL9003
23/a	Z0320001537CLR	§ PULLEY+MAGNET Buy if the pos.13 have the lateral hollow lower than 1cm
23/b	Z0320001537CLR1	§ PULLEY+MAGNET Buy if the pos.13 have the lateral hollow upper than 1cm
24	Z0090006006	TOOTHED BELT
25	Z0320001522	MOTOR SUPPORT FLANGE
26	VIT0000030	SCREW HEAD TAP CAP M4X7
27	Z0090003045	GRINDER MOTOR 220V DC
28	Z0320001519AH	GRINDER SENSOR COVER RAL9003
29	Z0320001555	SPACER
30	Z0250010290IC	GROUNDS CHUTE RAL2011
31	Z0250010292IC	COUNTERWEIGHT SUPPORT RAL2011
32	Z0250010303	COFFEE CHUTE WEIGHT
33	Z0320001540	GRINDER UPPER GASKET
100	Z0320001508CL	§ GRINDER From pos. 1 to pos. 29 excluded pos. 15+23/a and 23/b
101	Z0320001509CL	§ GRINDER W/SENSOR From pos.1 to pos. 29



GRINDER-120V VERSION		
Pos.	Code	Description
1/a	Z0320001603NAR	§ MOTOR SUPPORT BLACK+PLUG Not more sold. Substituted from pos. 1/b
1/b	Z0320001701R	§ MOTOR SUPPORT ALUMINIUM+PLUG
2	Z0320001602NAR	GRINDER BLADES SUPPORT
3	VIT0009325	BEARING
4	Z0320001608R	§ WHEEL+SHAFT+MAGNETS
5	Z0320001629	CUP SPRING 16x8,2 SP. 0,4
6	Z0320001625	BUSH
7	Z0320001704	GRINDER ROTATION PIN REINFORCE
8	Z0320001636	EJECTOR
9	VIT0000121	SCREW COUNT FLAT HEAD M3X8
10	Z0320001680	CONIC BLADES PLUS
11	Z0320001642	LOWER GRINDER FIXING NUT
13	Z0320001643	SPRING D.4X15X0,6
14	Z0320001624	REGULATION PIN
15	Z0320001605NAR	§ REGULATION RING NUT BLACK
16	Z0320001635-03NA	GRINDER SUPPORT BLACK
17	GUA0000124	SILICONE OR 2137
18	Z0320001622	UPPER GRINDER FIXING
19	VIT0002469	SCREW HEAD TAP M3.5X10
20	Z0320001666	SPACER D.4x7x2
21	VIT0003103	SPRING WASHER 4,3
22	Z0320001607NA	DUCT BLACK
23	VIT0002469	SCREW HEAD TAP M3.5X10
24	Z0320001604NA	PLUG BLACK
25	SCH0009360	ENCODER BOARD
26	Z0320001616NA	SENSOR SUPPORT (BLACK)
27	VIT0002032	SCREW TCB 2,2X4,5
28	Z0090003048	GRINDER MOTOR 120V
29	VIT0000013	SCREW HEAD TAP CAP M4X12
30	VIT0003103	SPRING WASHER 4,3
31	Z0320001658NA	COFFEE POWDER CHUTE SHORT
32	Z0320001615NA	GRINDER SENSOR COVER BLACK
33	Z0320001628	NO-VIBRATION BUSH
34	VIT0000013	SCREW HEAD TAP CAP M4X12
101	Z0320001601CLB	§ GRINDER 15° PLUS 120V

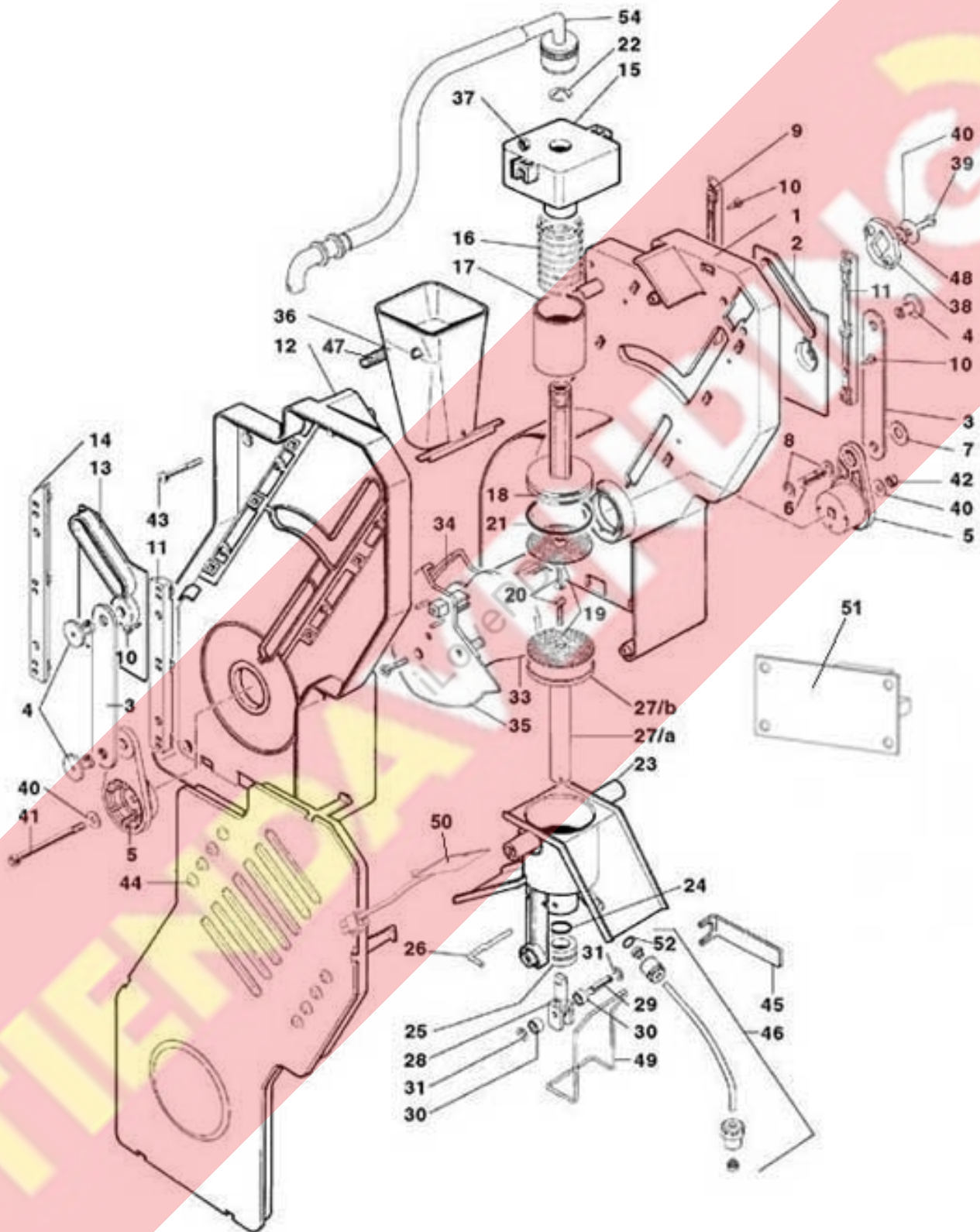


plastic batcher with setting		
Pos.	Code	Description
1	Z0350003406AHR	LOWER+UPPER COVER RAL9003 Pos.1+3
2	Z0350003411AH	TAB RAL9003
3	Z0350003406AHR	LOWER+UPPER COVER RAL9003 Pos.1+3
4	ELE0001522	MICROSWITCH
5	ELE0001906	MICROSWITCH LEVER
6	Z0350003419	MICRO COVER
7	ELE0000063	ELECTROMAGNET 8% 24V DC
8	VIT0000021	SCREW HEAD TAP CAP M4X6
9	Z0350003412	DOSER SPRING
10	Z0350003417AH	SPRING FLANGE RAL9003
11	VIT0005212	DOWEL PIN 2.5X24
12	Z0350003408AH	FLAP RAL9003
13	Z0350003409AH	REGULATION RAL9003
14	Z0350003414AH	REGULATION LEVER RAL9003
15	VIT0005219	DOWEL PIN 3X30
16	Z0350003416AH	BATCHER LEVER RAL9003
17	Z0350003415AH	CABLES COVER RAL9003
18	VIT0002469	SCREW HEAD TAP M3.5X10
100	Z0350003400CL	§ BATCHER 24V DC



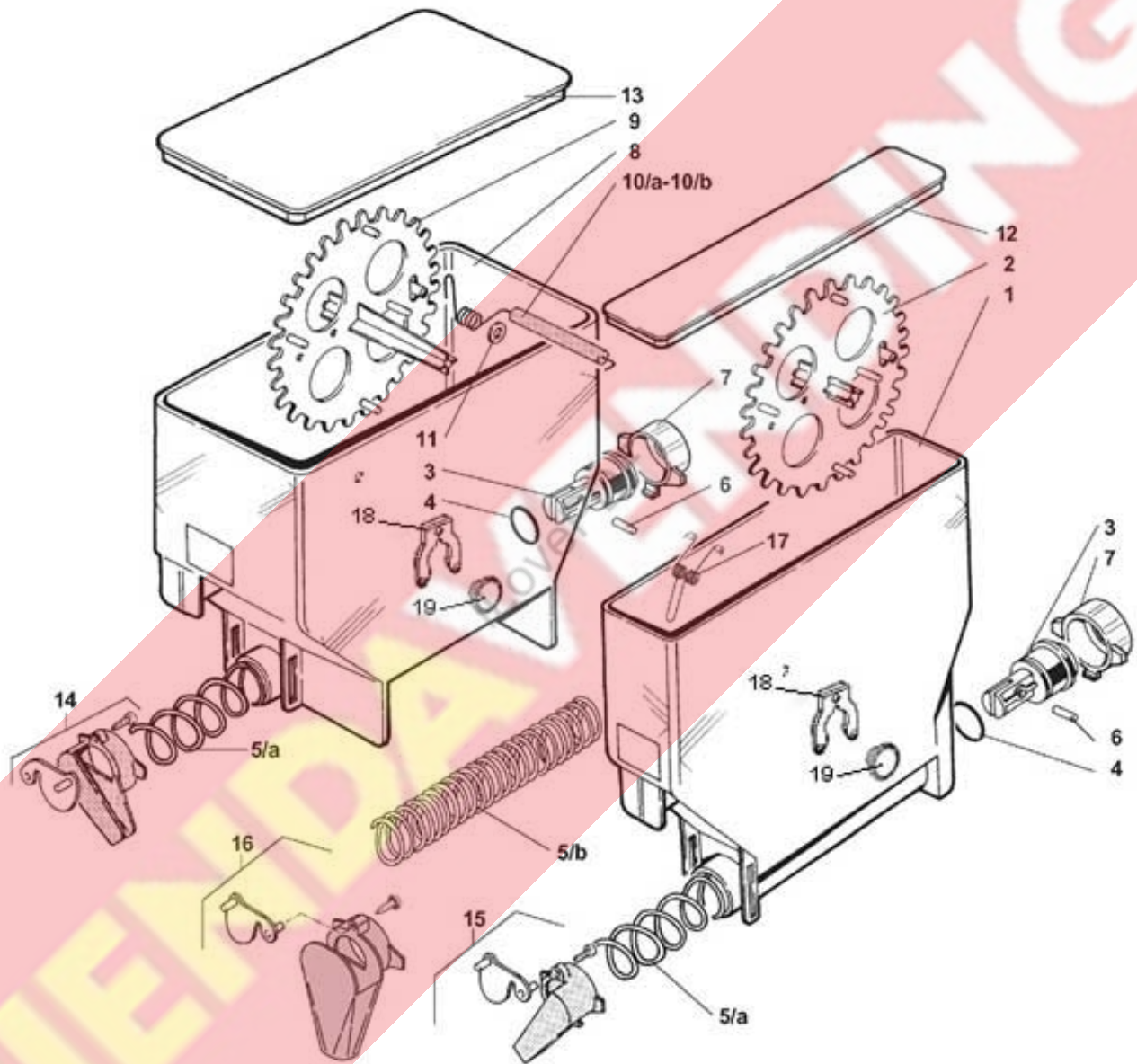
micro coffee group		
Pos.	Code	Description
1	Z0250008005R	§ MICRO BREWER COVERS-L.H+R.H
2	Z0250008084	INFUSION CHAMBER CAM-RIGHT
3	Z0250008009	CONNECTING ROD
4	Z0250008028	CONNECTING ROD PIN
5	Z0250008011	RIGHT CRANK
6	Z0250008014	PIN
7	Z0250008042	ANTIVIBRATION WASHER
8	VIT0006515	RING 5
9	Z0250008031	REAR RIGHT GUIDE
10	VIT0002026	SCREW ST HEAD CAP M3.5X6.5
11	Z0250008033	FRONTAL GUIDE
12	Z0250008005R	§ MICRO BREWER COVERS-L.H+R.H
13	Z0250008085	INFUSION CHAMBER CAM-LEFT
14	Z0250008032	REAR LEFT GUIDE
15	Z0250008086	UPPER FILTER SUPPORT
16	Z0250008024	UPPER FILTER SPRING
17	Z0250008087	SPRING COVER PIPE
18/a	Z0250008026R	§ UPPER COFFEE FILTER D 36 For Coffee beans group D. 36 (Pos.18/a+19/a+21/a+20)
18/b	Z0250008208R	§ UPPER COFFEE FILTER D.40 For Coffee beans group D. 40 --- (Pos. 18/b+19/b+21/b+20)
19/a	Z0250008099	COFFEE FILTER For Coffee beans group D. 36
19/b	Z0250008211	COFFEE FILTER D 37.3 For Coffee beans group D. 40
20	VIT0000121	SCREW COUNT FLAT HEAD M3X8
21/a	GUA0000080	OR 4112 RED SILICONE LSR70 For Coffee beans group D. 36
21/b	GUA0000097	OR 4131 RED SILICONE LSR70 For Coffee beans group D. 40
22	VIT0006513	RING 8
23/a	Z0250008046R	§ BREWER INFUSION CHAMBER For Coffee beans group D. 36
23/b	Z0250008206R	§ LOWER COFFEE FILTER D.40 For Coffee beans group D. 40
24	GUA0000065	OR 112 SILICON
25	Z0250008053	LOWER INLET CUP BUSH
26	Z0250008029	FUNNEL PIN
27/a	Z0250008108	LOWER FILTER SHAFT
27/b	Z0250008122	COFFEE FILTER LOW 36 For Coffee beans group D. 36
27/c	Z0250008209IC	LOWER COFFEE FILTER D.40 For Coffee beans group D. 40
28	Z0250008106	BEARING SUPPORT
29	Z0250008021	BEARING SHAFT
30	Z0250008022	BEARING
31	VIT0006517	RING 3.2
33	Z0250008083	CAM
34	Z0250008016	CAM RIGHT
35	Z0250008017	CAM LEFT
36	Z0250008036	COFFEE FUNNEL
37	VIT0004803	NUT M4
38	Z0250008035	SETTING PLATE
39	VIT0000032	SCREW HEAD TAP CAP M4X8
40	VIT0003309	WASHER4,3X16X1,5
41	VIT0005523	SCREW HEX HEAD REC TAP M4X60
42	VIT0004810	NUT M4

micro coffee group		
43	VIT0002461	SCREW HEAD TAP M4.2X26
44/a	Z0250008039CM	MICRO BREWER COVER-L.H RAL9006 For Coffee beans group D. 36
44/b	Z0250008039IC	MICRO BREWER COVER-L.H RAL2011 For Coffee beans group D. 40
45	Z0250008048	KEY FOR NUT
46	Z0250008110CL	§ WATER INLET PIPE
47	VIT0009203	INSERT
48	VIT0003451	SPRING WASHER 4,2
50	Z0250008088	WASHER
51	Z0250008109R	§ LOW.COFFEE FILTER D.36+BEAR.
52	GUA0000061	OR 2010 VITON 80 BLACK
53	Z0250008107R	BEARING SUPPORT
54	Z0250008176R	§ COFFEE OUTLET PIPE
100	Z0250008001R	COFFEE BREWER MICRO D.36 For Coffee beans group D. 36
101	Z0250008201R	COFFEE BREWER MICRO D.40 For Coffee beans group D. 40
104	Z0250008108R	§ LOWER COFFEE FILTER D.36
105	Z0250008209R	§ LOWER COFFEE FILTER D.40
106	Z0250008210R	§ LOW.COFFEE FILTER D.40+BEAR.



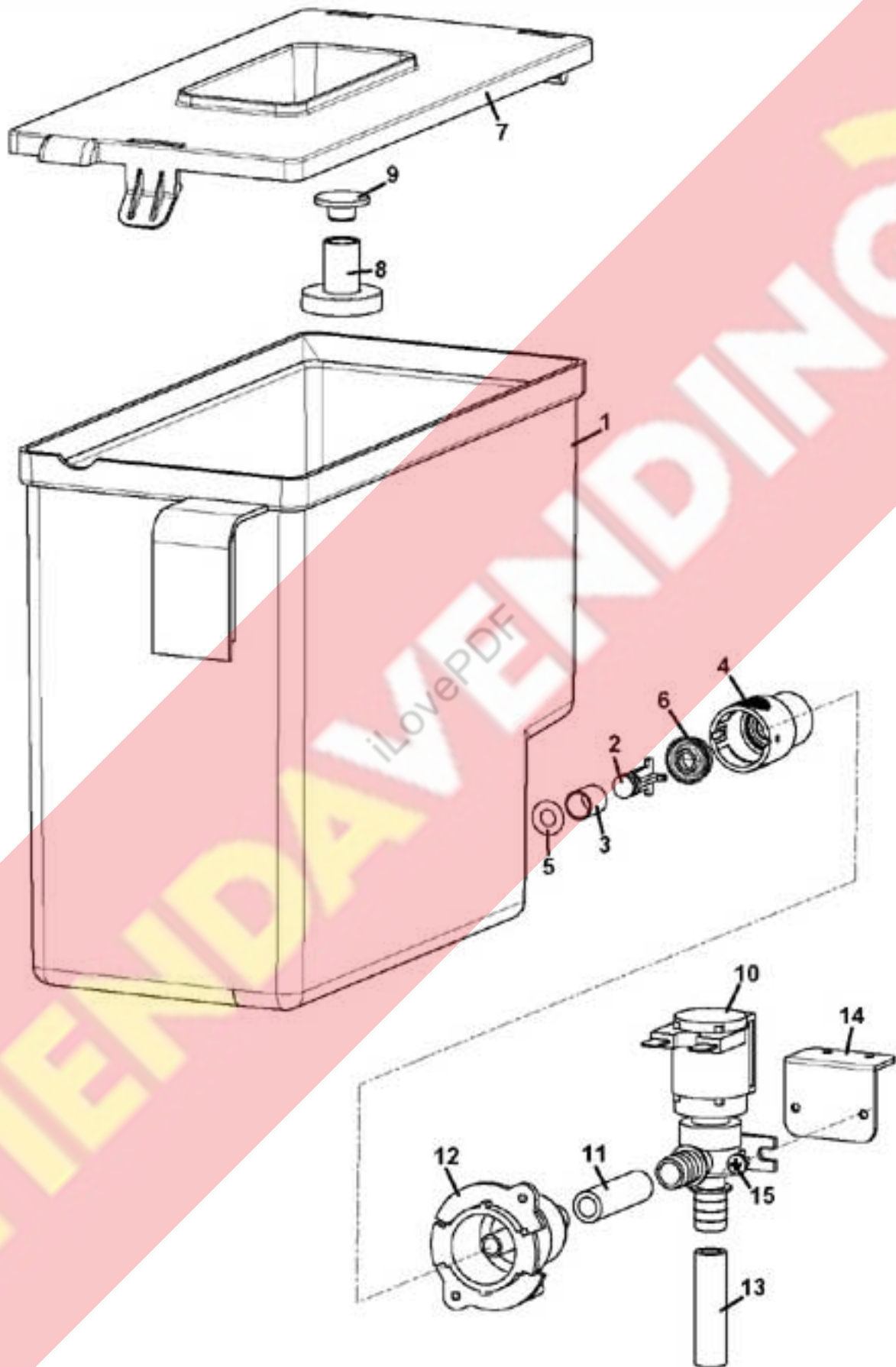
heated micro coffee group		
Pos.	Code	Description
1	Z0250008005R	§ MICRO BREWER COVERS-L.H+R.H
2	Z0250008084	INFUSION CHAMBER CAM-RIGHT
3	Z0250008009	CONNECTING ROD
4	Z0250008028	CONNECTING ROD PIN
5	Z0250008011	RIGHT CRANK
6	Z0250008014	PIN
7	Z0250008042	ANTIVIBRATION WASHER
8	VIT0006515	RING 5
9	Z0250008031	REAR RIGHT GUIDE
10	VIT0002026	SCREW ST HEAD CAP M3.5X6.5
11	Z0250008033	FRONTAL GUIDE
12	Z0250008005R	§ MICRO BREWER COVERS-L.H+R.H
13	Z0250008085	INFUSION CHAMBER CAM-LEFT
14	Z0250008032	REAR LEFT GUIDE
15	Z0250008086	UPPER FILTER SUPPORT
16	Z0250008024	UPPER FILTER SPRING
17	Z0250008087	SPRING COVER PIPE
18	Z0250008226R	§ UPPER COFFEE FILTER D.36 For Coffee beans group D. 36 (From pos.18 to pos.21)
19	Z0250008019	COFFEE FILTER
20	VIT0000121	SCREW COUNT FLAT HEAD M3X8
21	GUA0000080	OR 4112 RED SILICONE LSR70
22	VIT0006513	RING 8
23	Z0250008215R1	BREWER CHAMBER
24	GUA0000065	OR 112 SILICON
25	Z0250008053	LOWER INLET CUP BUSH
26	Z0250008029	FUNNEL PIN
27/a	Z0250008108	LOWER FILTER SHAFT
27/b	Z0250008122	COFFEE FILTER LOW 36
28	Z0250008226	BEARING SUPPORT
29	Z0250008021	BEARING SHAFT
30	Z0250008022	BEARING
31	VIT0006517	RING 3.2
33	Z0250008083	CAM
34	Z0250008016	CAM RIGHT
35	Z0250008017	CAM LEFT
36	Z0250008036	COFFEE FUNNEL
37	VIT0004803	NUT M4
38	Z0250008035	SETTING PLATE
39	VIT0000032	SCREW HEAD TAP CAP M4X8
40	VIT0003309	WASHER4,3X16X1,5
41	VIT0005523	SCREW HEX HEAD REC TAP M4X60
42	VIT0004810	NUT M4
43	VIT0002461	SCREW HEAD TAP M4.2X26
44	Z0250008039CM	MICRO BREWER COVER-L.H RAL9006
45	Z0250008048	KEY FOR NUT
46	Z0250008110CL	§ WATER INLET PIPE
47	Z0250008119	SPRING

heated micro coffee group		
48	VIT0003451	SPRING WASHER 4,2
50	Z0250008213R	§ HEATING ELEMENT
51	SCH0006880	HEATING ELEMENT BOARD
52	GUA0000061	OR 2010 VITON 80 BLACK
54	Z0250008070CL	§ COFFEE OUTLET PIPE
100	Z0250008220R	COFFEE BREWER MICRO D.36
101	Z0250008227R	§ BERING SUPPORT (Pos. 28-29-30-31)
102	Z0250008228R	§ LOW.COFFEE FILTER D.36+BEAR.

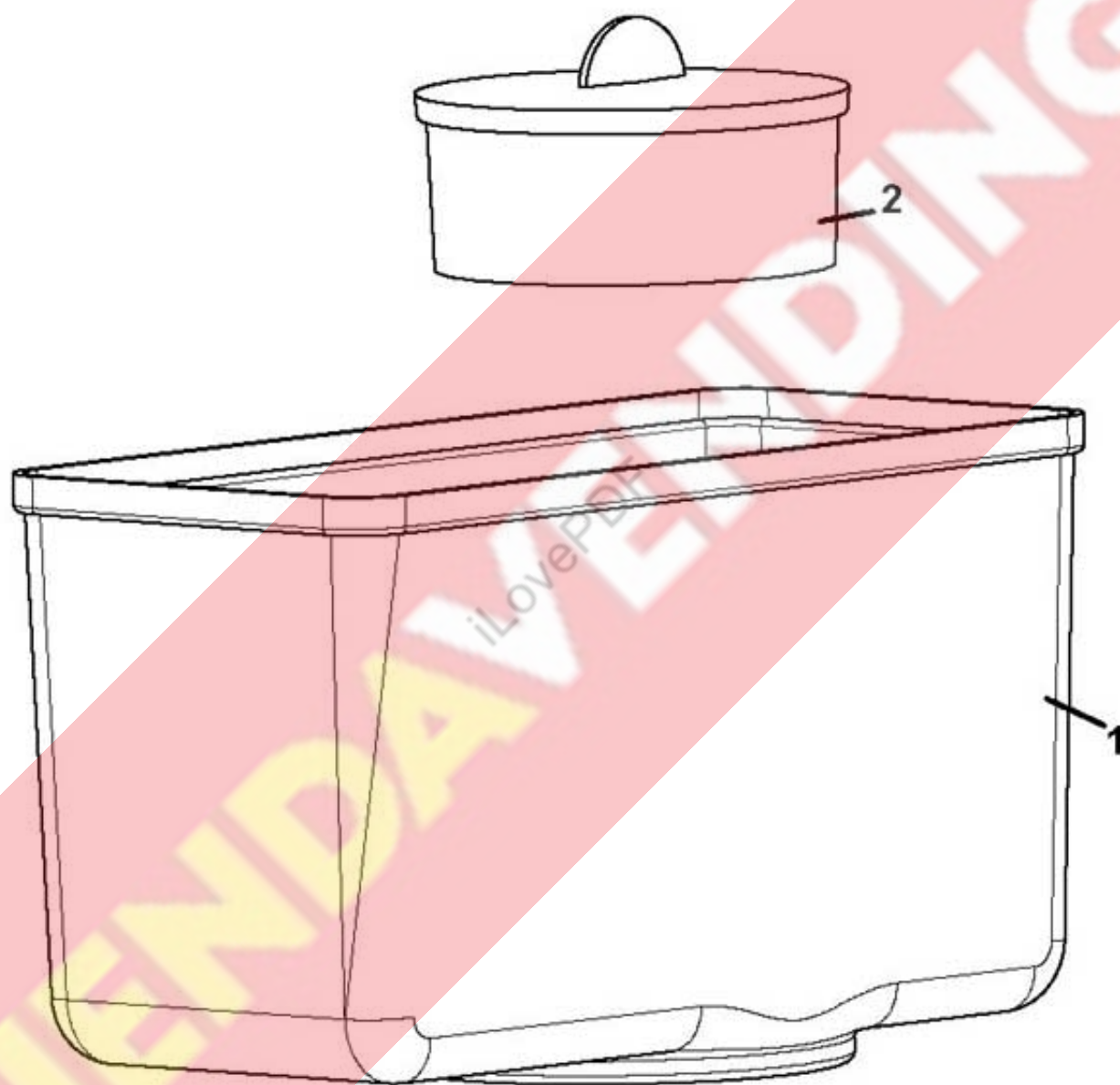


products container		
Pos.	Code	Description
1	Z0230030500	INGREDIENT CANISTER 54 190
2	Z0230030236AB	§ WHEEL MM54
3	Z0230030012	SPIRAL PIN
4	GUA0000083	OR 123 RED SILICONE A70
5/a	Z0230030014	SPIRAL 18
5/b	Z0230030013	SPIRAL 9
6	VIT0005106	PIN 2X14
7	Z0230030011	REAR BUSH
8	Z0230030520	INGREDIENT CANISTER 110-190
9	Z0230030237AB	§ WHEEL MM110
10/a	Z0230030064	AGITATOR 112 - RIGHT OUTLET
10/b	Z0230030062	AGITATOR 112 - LEFT OUTLET
11	VIT0003210	WASHER 8,4X16X1,6
12	Z0230030156	CANISTER 54 LID
13	Z0230030158	CANISTER 110 LID
14/a	Z0230030058R	§ INGRED. CHUTE-RIGHT ORANGE
14/b	Z0230030044R	§ INGREDIENT CHUTE-RIGHT RED
15/a	Z0230030057R	§ INGREDIENT CHUTE-LEFT ORANGE
15/b	Z0230030043R	§ INGREDIENT CHUTE-LEFT RED
16	Z0230030059R	§ INGRED. CHUTE-FRONTALORANGE
17	Z0230030060-05	MIXER
18	Z0230030239	WHEEL PIN FORK
19	Z0230030238-02	WHEEL PIN
100	Z0230030522R	§ CAN. 110-190 AGIT.18 W/LID-R
101	Z0230030525R	§ CAN. 110-190 AGIT.18 W/LID-L
102	Z0230030506R	§ CANIS. 54-190 WHEEL18 W/LID
103	Z0230030502R	§ CANIS. 54-190 WHEEL9 W/LID
104	Z0230030503R	§ CANIS. 54-190 AGIT.9 W/LID

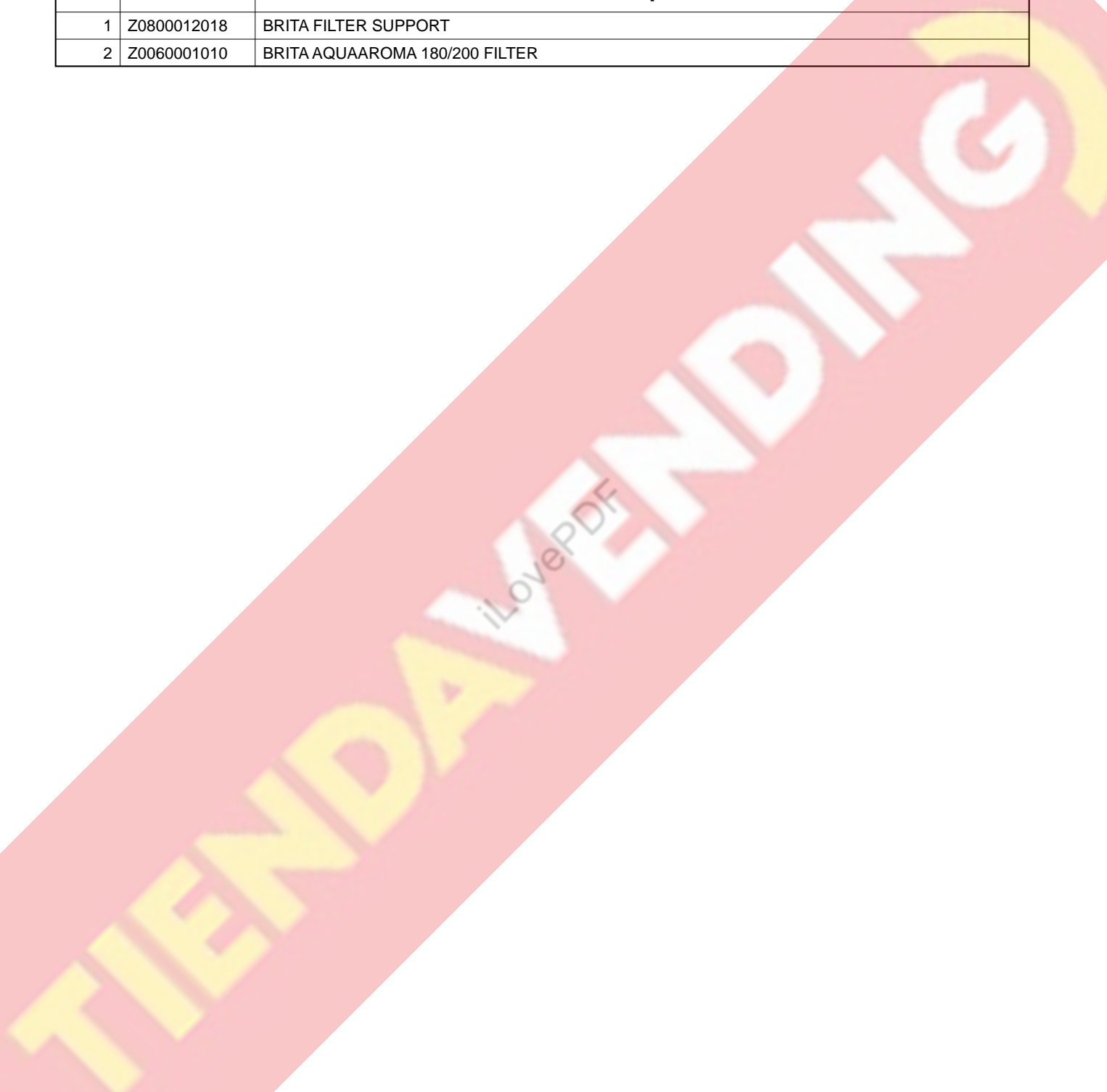
h2o tank

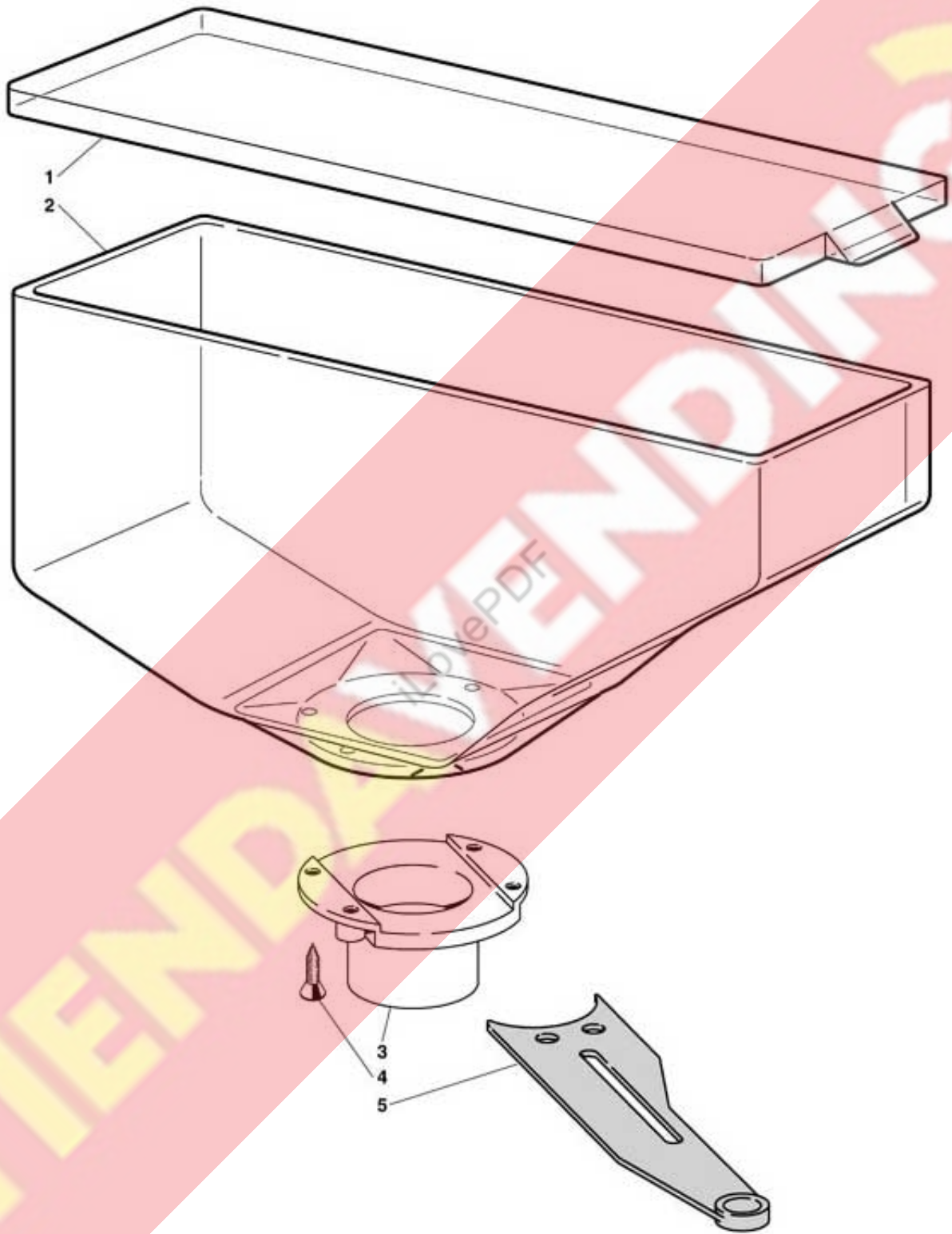


h2o tank		
Pos.	Code	Description
1	Z0800012005PF	WATER TANK
2	Z0800012009	WATER TANK CLOSING PIN
3	Z0800012012	PIN SPRING
4	Z0800012008	TANK HOLDER
5	GUA0000082	SILICON GASKET D.6
6	GUA0002008	SILICON GASKET DE 062
7	Z0800012027	H2O TANK LID
8	Z0020037046	WASTE FLOAT RAL 3020
9	Z0020037045	WASTE FLOAT RAL 9005
10	Z0110001103	VALVE 2W 24V DC
11/a	TSIL07/11T-10	SILICON HOSE 7X11 MT.10
11/b	TSIL07/11T-50	SILICON HOSE 7X11 MT.50
12	Z0800012015	WATER TANK CONNECTOR
13/a	TSIL06/11T-10	SILICON HOSE 6X11 MT.10
13/b	TSIL06/11T-50	SILICON HOSE 6X11 MT.50
14	Z0110001118	VALVE BRACKET
15	VIT0002009	SCREW ST HEAD CAP M3.5X6.5
100	Z0800012011CL	§ WATER TANK+LID (from pos.1 to pos.9)
101	Z0110001103CL	§ VALVE From pos.10 to pos. 15

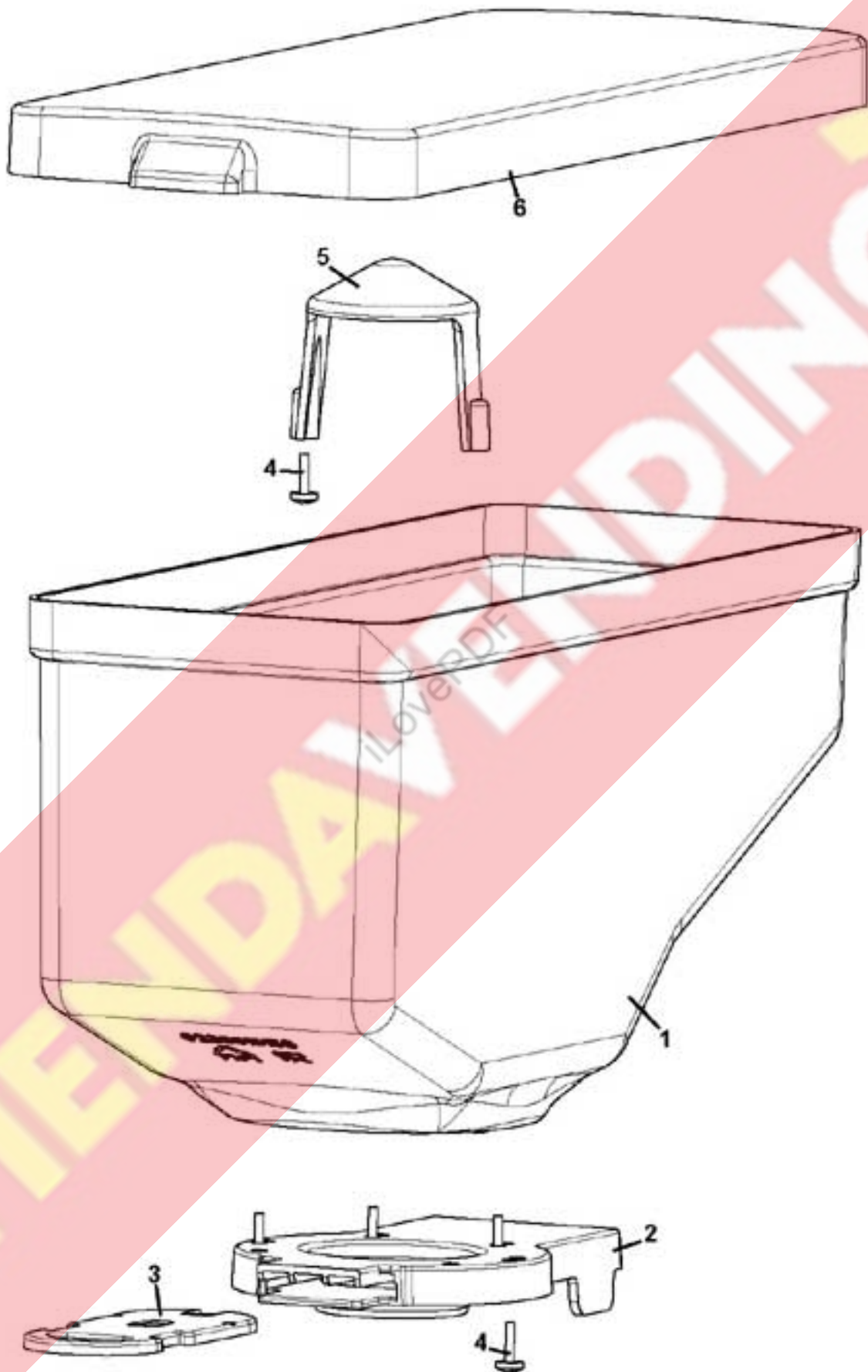


BRITA FILTER		
Pos.	Code	Description
1	Z0800012018	BRITA FILTER SUPPORT
2	Z0060001010	BRITA AQUAAROMA 180/200 FILTER



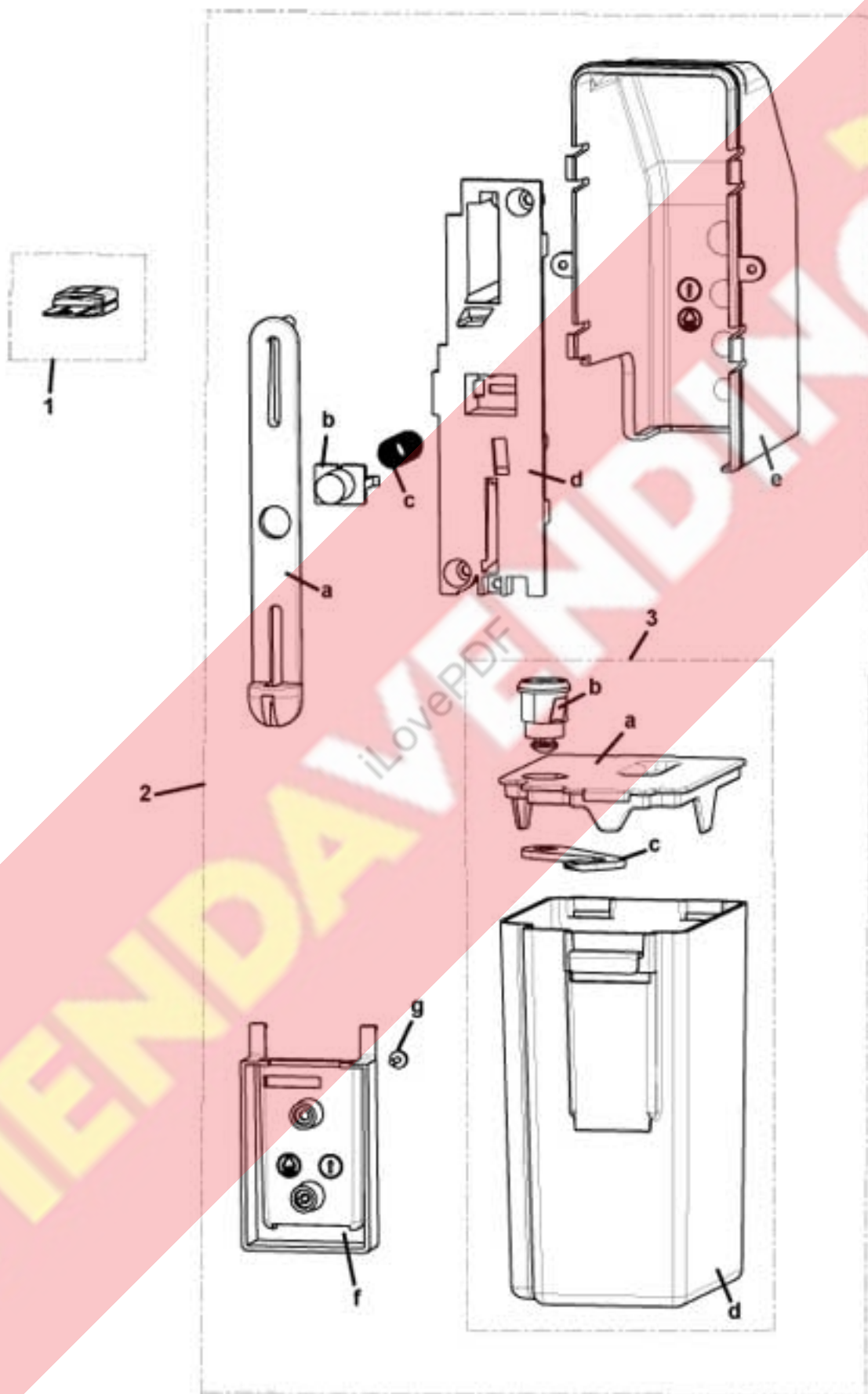


coffee beans container		
Pos.	Code	Description
1	Z0230015159	COFFEE BEANS HOPPER LID
2	Z0230015158	COFFEE BEANS HOPPER
3	Z0230015066NA	COFFEE BEANS HOPPER STOPPER
4	VIT0002114	SCREW COUNT FLAT HEAD M3.5X16
5	Z0230015207IC	COFFEE BEANS HOPPER STOPPER
100	Z0230015158R	§ COFFEE BEANS HOPPER



coffee beans container-120V VERSIONE		
Pos.	Code	Description
1	Z0230015158	COFFEE BEANS HOPPER
2	Z0230015231-02	COFFEE BEANS HOPPER ADAPTOR
3	Z0230015224IC	COFFEE BEANS HOPPER STOPPER
4	VIT0002114	SCREW COUNT FLAT HEAD M3.5X16
5	Z0230015227TR	GRINDER COVER
6	Z0230015159	COFFEE BEANS HOPPER LID
100	Z0230015232CL4	§ COFFEE BEANS HOPPER

OPTIONAL KIT



OPTIONAL KIT		
Pos.	Code	Description
1	Z0020040310CL/1	RHEA FLASH MEMORY
2	D2109600A0000	KIT W/FIT W/O MECH RAL9005
2/a	Z0020035031CM	COIN ENTRY PLATE RAL9006
2/a	Z0020035031KB	COIN ENTRY PLATE
2/a	Z0020035031NA	COIN ENTRY PLATE BLACK
2/b	Z0020035033CM	COIN RETURN BUTTON RAL9006
2/b	Z0020035033KA	COIN RETURN BUTTON RAL3020
2/b	Z0020035033KB	COIN RETURN BUTTON
2/b	Z0020035033NA	COIN RETURN BUTTON BLACK
2/c	Z0020035034	COIN RETURN BUTTON SPRING
2/d	Z0020035032NA	PAYM SYSTEM SUPPORT
2/e	Z0020039510NA	PAY. SYSTEM COVER BLACK
2/f	Z0020039528NA	COIN BOX SUPPORT
2/g	VIT0002452	SCREW HEAD TAP M3.5X12
3	Z0020039525R	§ COIN BOX
3/a	Z0020039527NA	COINS BOX LID BLACK
3/b	SER0000015	LOCK MM20 C.3430
3/c	Z0020037128	COIN BOX HOOK
3/d	Z0020039526NA	COIN BOX RAL 9005